



US00D684071S

(12) **United States Design Patent**  
**Greenwood et al.**

(10) **Patent No.:** **US D684,071 S**  
(45) **Date of Patent:** **\*\* Jun. 11, 2013**

(54) **ELECTRONIC DEVICE**

(75) Inventors: **Wayne Eugene Greenwood**, La Honda, CA (US); **David Jong Wang**, Palo Alto, CA (US); **Conlan Liang Ma**, Sunnyvale, CA (US); **Anh T. Nguyen**, San Mateo, CA (US)

(73) Assignee: **Striiv, Inc.**, Redwood City, CA (US)

(\*\*) Term: **14 Years**

(21) Appl. No.: **29/400,720**

(22) Filed: **Aug. 31, 2011**

(51) **LOC (9) Cl.** ..... **10-04**

(52) **U.S. Cl.**  
USPC ..... **D10/70; D14/341**

(58) **Field of Classification Search**  
USPC ..... D14/341-347, 137, 138, 138.1, 138 A, D14/138 AA, 138 R, 138 AB, 138 AC, 138 AD, D14/138 C, 138 G, 496, 203.1, 203.3, 203.4, D14/203.5, 203.7, 426, 427, 432, 429, 129, D14/130, 420, 439-441, 448, 125, 126, 147, D14/156, 218, 247-248, 250, 389, 388, 315-318; D10/65, 104, 70; D18/6-7; D21/324, D21/329, 330; D19/26, 59, 60; 455/556.1, 455/556.2, 566, 575.1, 90.3; 379/433.04, 379/433.01, 433.06, 916; 345/169, 173, 901, 345/905; 361/679.26, 679.27, 679.3, 679.55, 361/679.56

See application file for complete search history.

(56) **References Cited**

**U.S. PATENT DOCUMENTS**

D545,226 S \* 6/2007 Azuma ..... D10/70  
D584,974 S \* 1/2009 Fukuda et al. .... D10/70

D593,527 S \* 6/2009 Wang et al. .... D14/138 G  
D597,067 S \* 7/2009 Oh et al. .... D14/203.7  
D611,500 S \* 3/2010 Byle et al. .... D14/496  
D615,971 S \* 5/2010 Chien et al. .... D14/341  
D620,003 S \* 7/2010 Chiang et al. .... D14/341  
D620,004 S \* 7/2010 Andre et al. .... D14/341  
D623,183 S \* 9/2010 Hong et al. .... D14/341  
D625,287 S \* 10/2010 Rayn ..... D14/203.7  
D627,344 S \* 11/2010 Chien et al. .... D14/341  
D627,776 S \* 11/2010 Seong ..... D14/341  
D630,630 S \* 1/2011 Andre et al. .... D14/341  
D633,092 S \* 2/2011 Andre et al. .... D14/341  
D633,492 S \* 3/2011 Matsuoka ..... D14/341  
D635,873 S \* 4/2011 Ogihara et al. .... D10/70  
D636,282 S \* 4/2011 Yin et al. .... D10/70  
D647,108 S \* 10/2011 Lee ..... D14/496  
D662,484 S \* 6/2012 Sunderland ..... D14/138 R

\* cited by examiner

*Primary Examiner* — Barbara Fox

(74) *Attorney, Agent, or Firm* — Maschoff Brennan

(57) **CLAIM**

The ornamental design for an electronic device, as shown and described in the Figures.

**DESCRIPTION**

FIG. 1 is a perspective view of an electronic device showing the new design;

FIG. 2 is a top plan view thereof;

FIG. 3 is a left side elevational view thereof;

FIG. 4 is a front elevational view thereof;

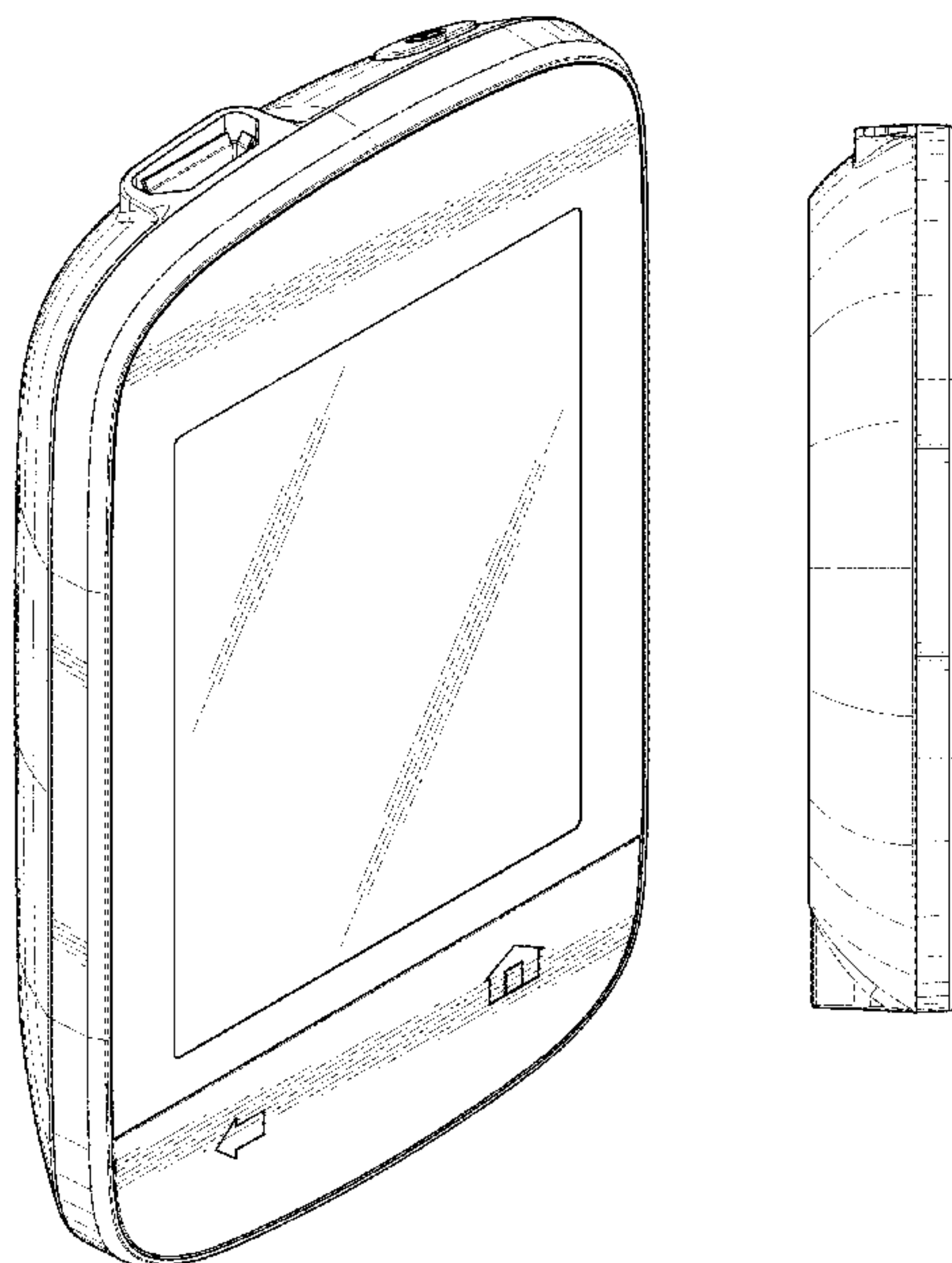
FIG. 5 is a right side elevational view thereof;

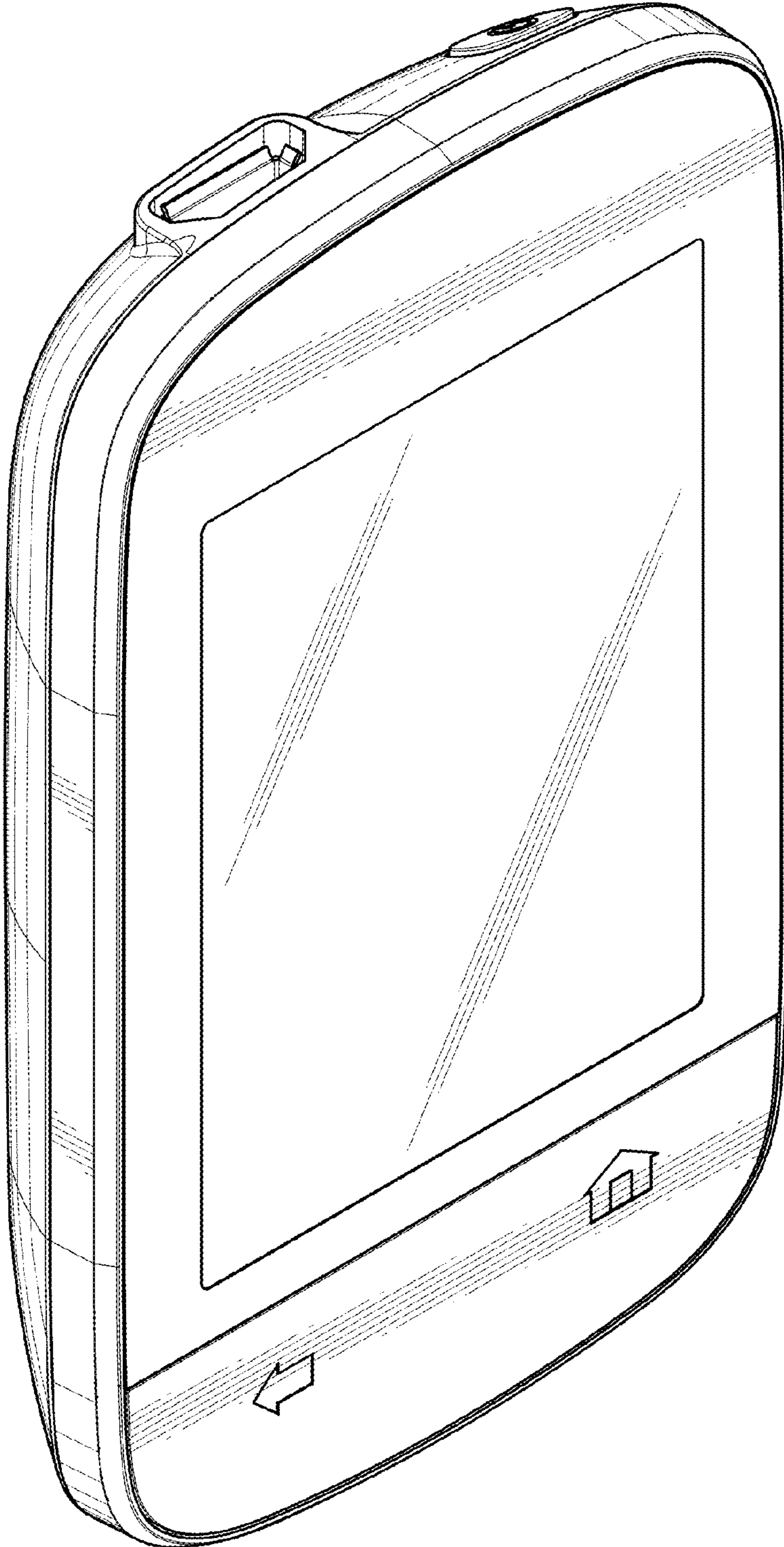
FIG. 6 is a bottom plan view thereof; and,

FIG. 7 is a rear elevational view thereof.

The broken lines in FIG. 6 indicate environmental structure only that forms no part of the claimed design.

**1 Claim, 3 Drawing Sheets**





*Fig. 1*

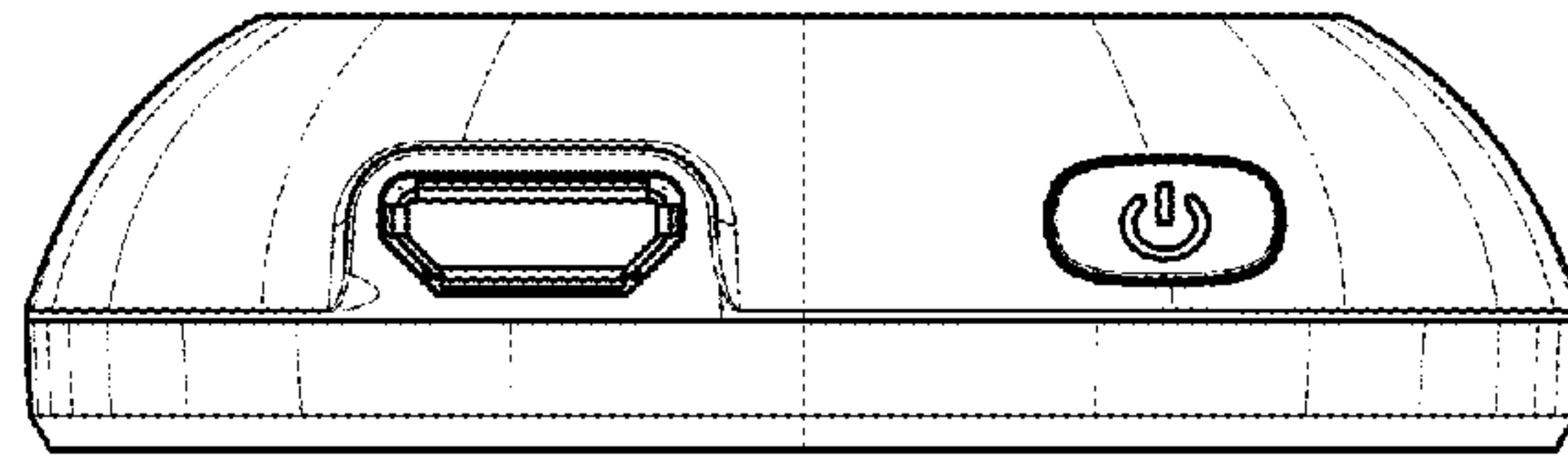


Fig. 2

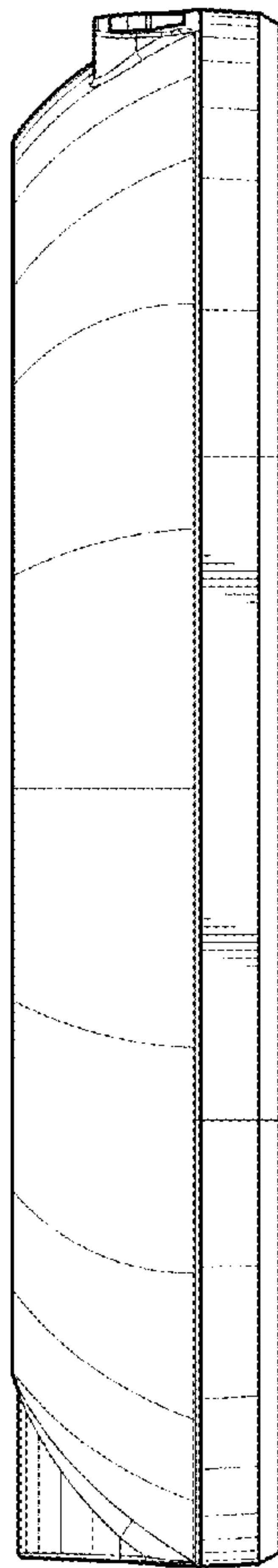


Fig. 3

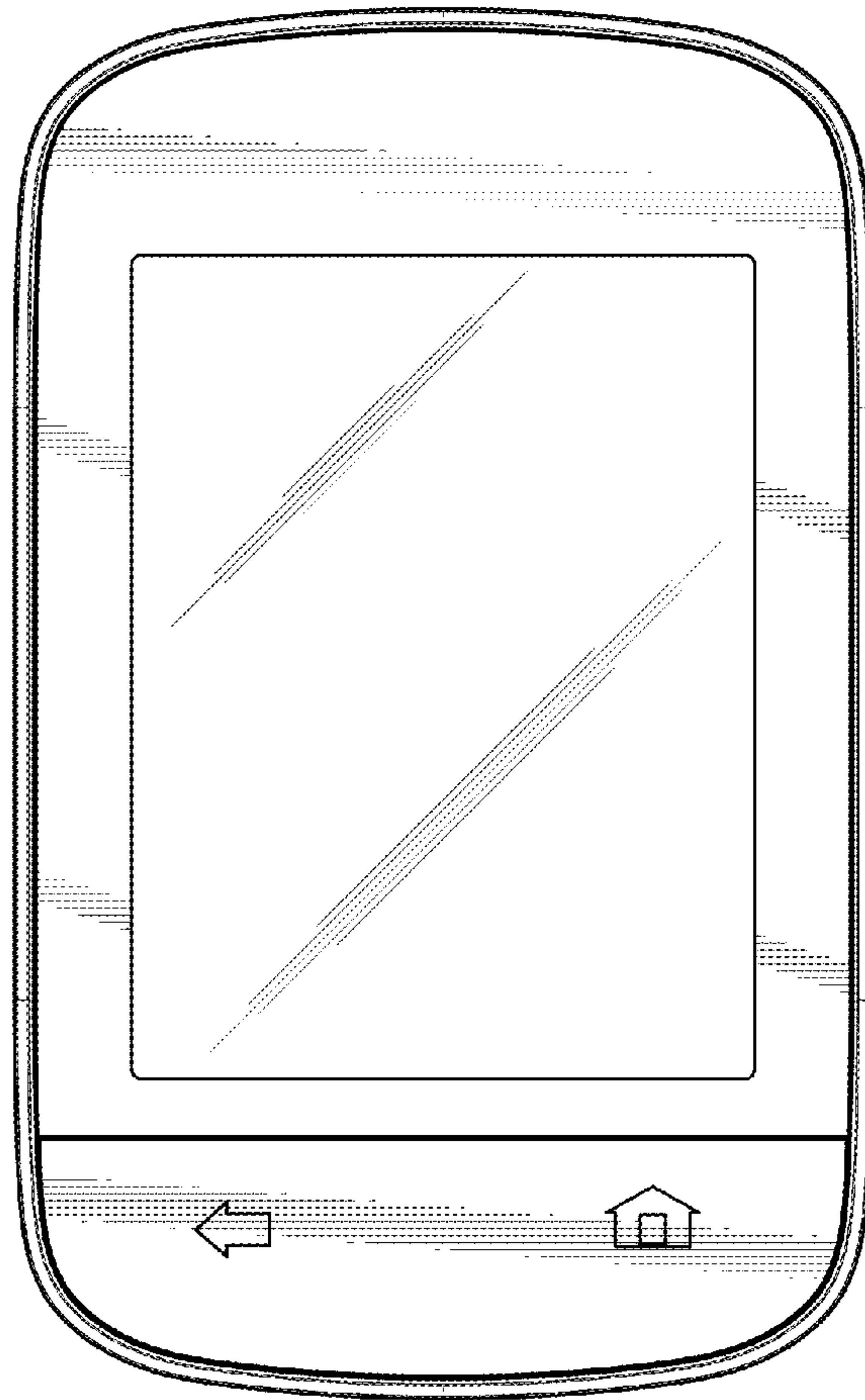


Fig. 4

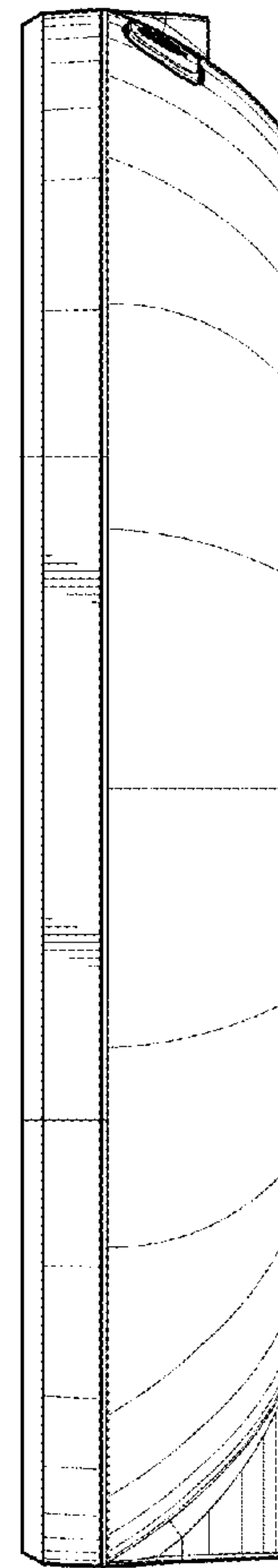


Fig. 5

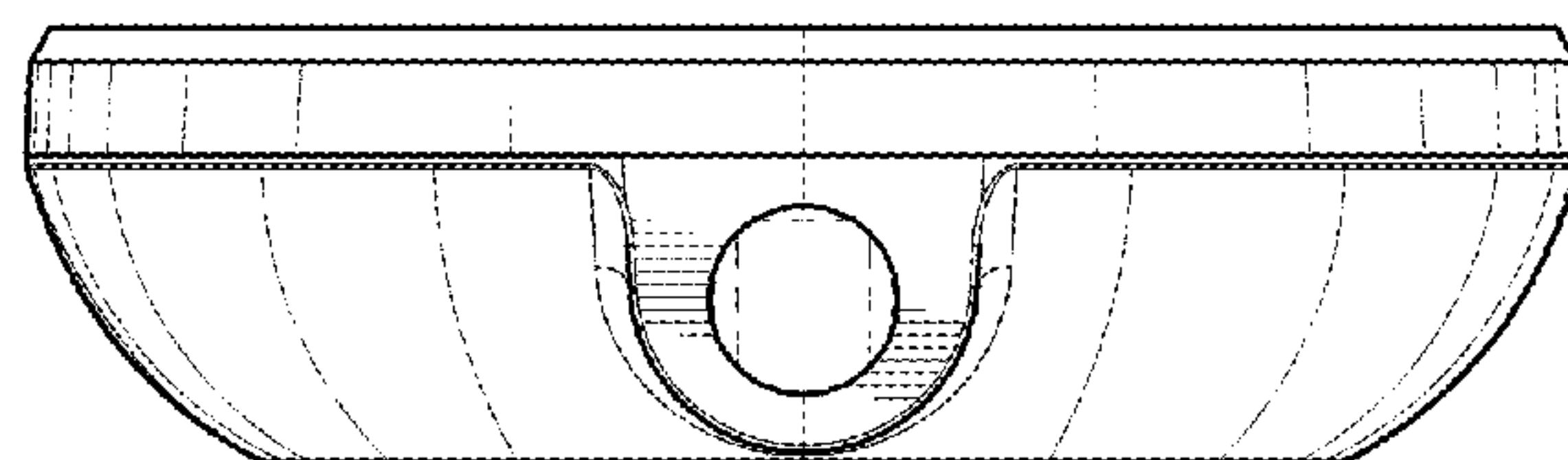
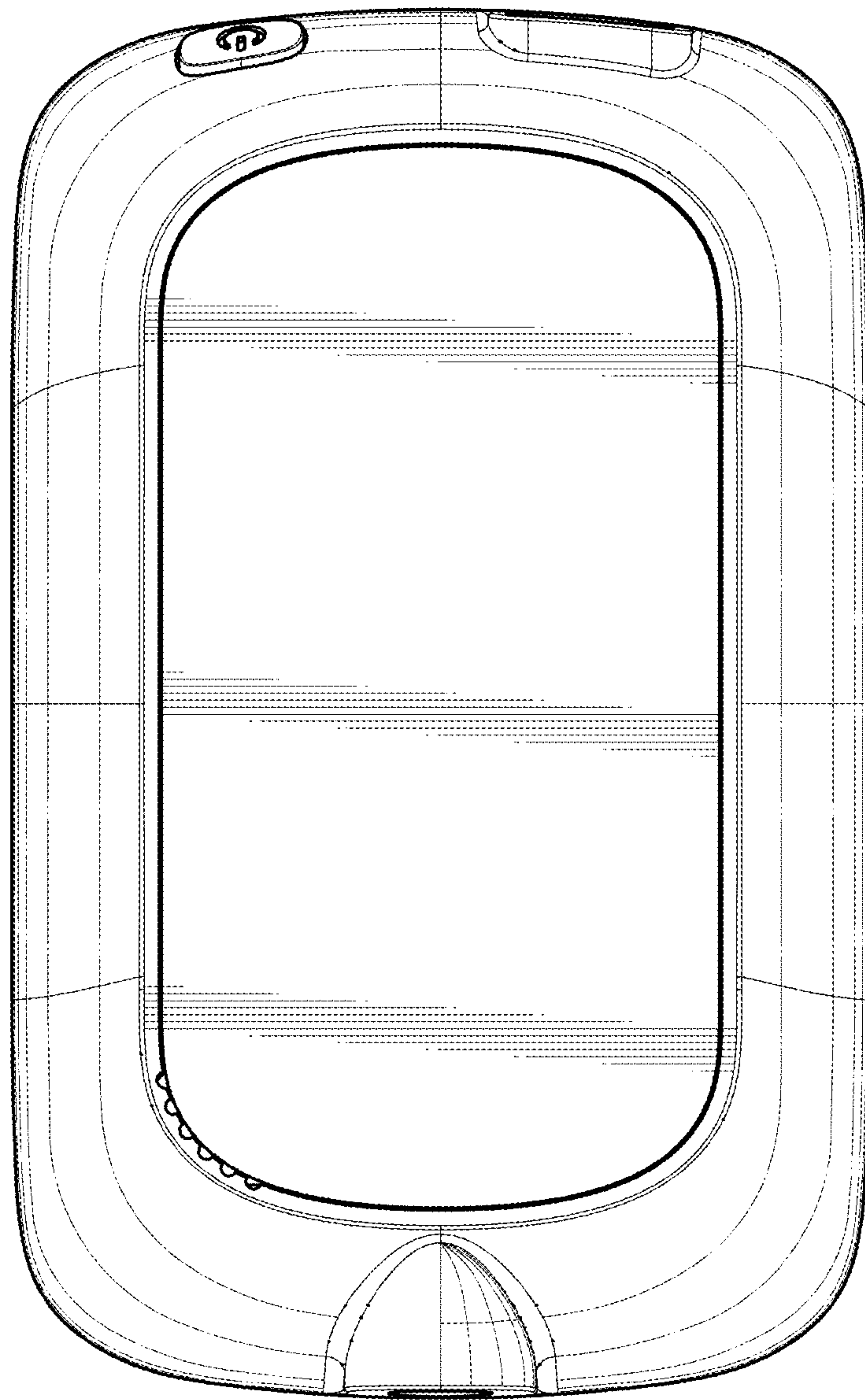


Fig. 6





**Fig. 7**