



US00D684070S

(12) **United States Design Patent**  
**Tschopp et al.**

(10) **Patent No.:** **US D684,070 S**  
(45) **Date of Patent:** **\*\* Jun. 11, 2013**

(54) **LEVEL**

(75) Inventors: **Tylan A. Tschopp**, Baltimore, MD (US);  
**Christopher J. Murray**, Philadelphia,  
PA (US); **Oleksy Sergyeyenko**,  
Baldwin, MD (US)

(73) Assignee: **Black & Decker Inc.**, Newark, DE (US)

(\*\*) Term: **14 Years**

(21) Appl. No.: **29/415,079**

(22) Filed: **Mar. 7, 2012**

(51) **LOC (9) Cl.** ..... **10-04**

(52) **U.S. Cl.**  
USPC ..... **D10/69**

(58) **Field of Classification Search**  
USPC ..... D10/69; 33/365, 366.11–366.27,  
33/367–391

See application file for complete search history.

(56) **References Cited**

U.S. PATENT DOCUMENTS

2,551,524 A \* 5/1951 Bullivant ..... 33/374  
2005/0210691 A1 \* 9/2005 Solak ..... 33/366.24

\* cited by examiner

*Primary Examiner* — Antoine D Davis

(74) *Attorney, Agent, or Firm* — Stephen R. Valancius

(57) **CLAIM**

The ornamental design for a level, as shown and described.

**DESCRIPTION**

FIG. 1 is a perspective view of a level showing our new design;

FIG. 2 is a front view thereof

FIG. 3 is a rear view thereof;

FIG. 4 is a left side view thereof;

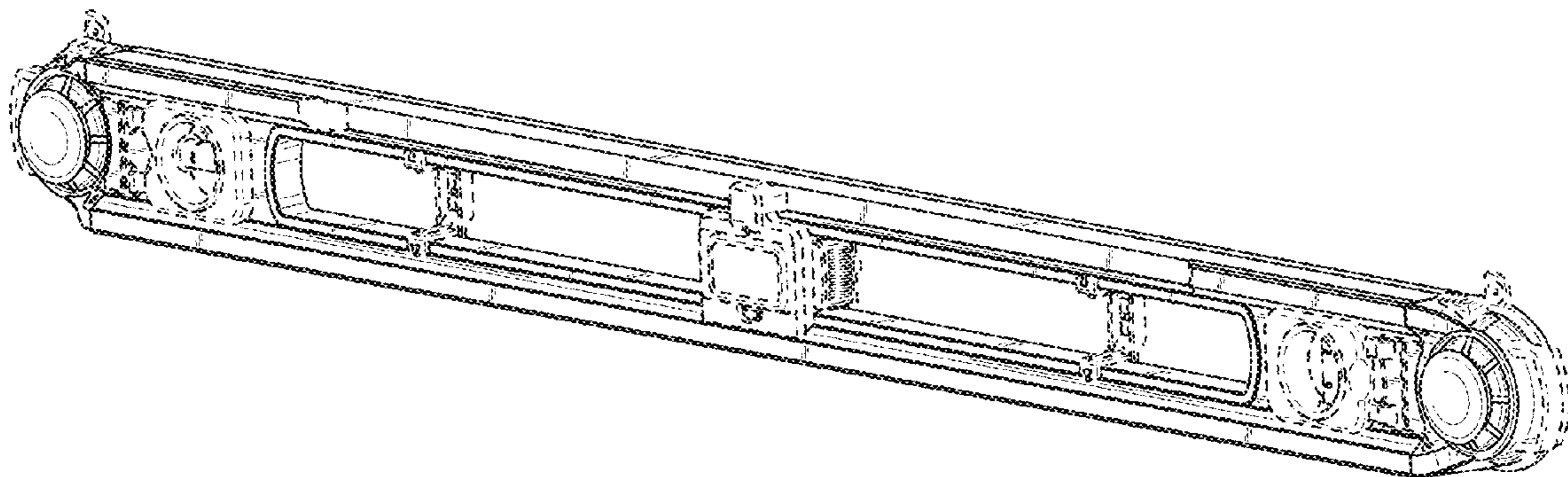
FIG. 5 is a right side view thereof;

FIG. 6 is a top plan view thereof; and,

FIG. 7 is a bottom plan view thereof.

In the above drawings, the broken lines and the areas within the broken lines form no part of the claimed design.

**1 Claim, 6 Drawing Sheets**



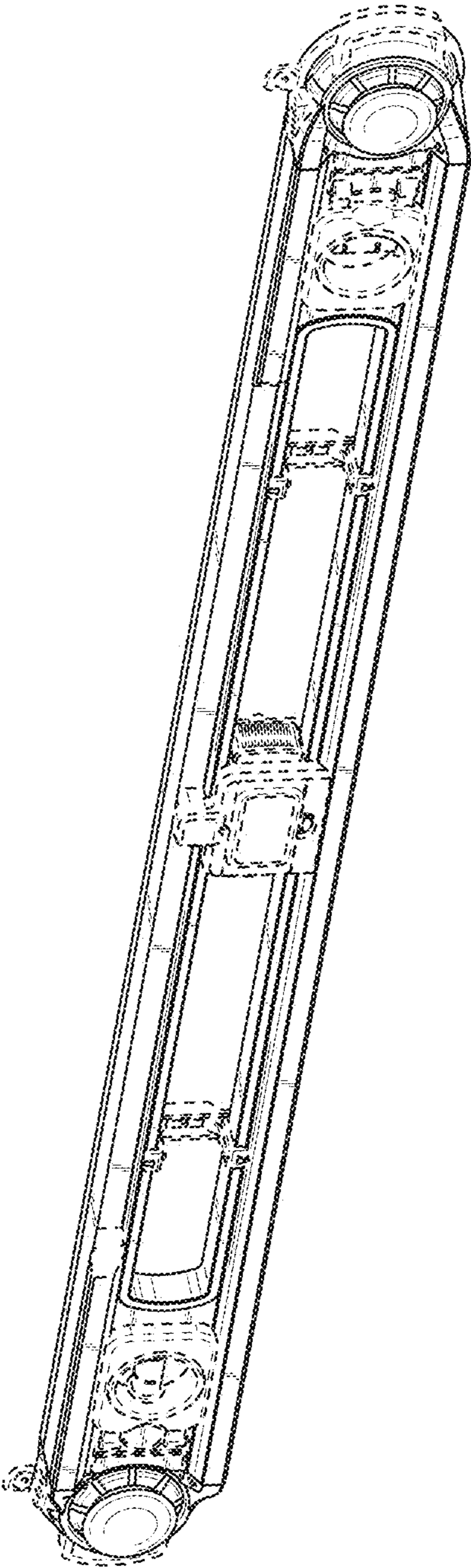


FIG. 1

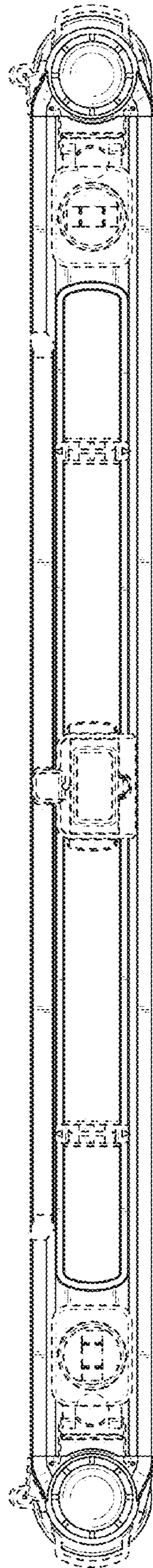


FIG. 2

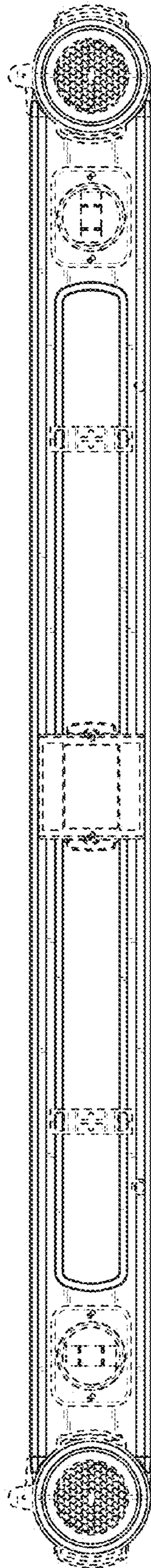


FIG. 3

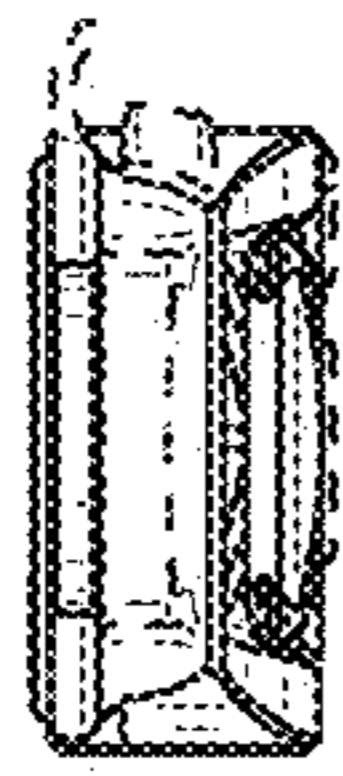


FIG. 4



FIG. 5





FIG. 6

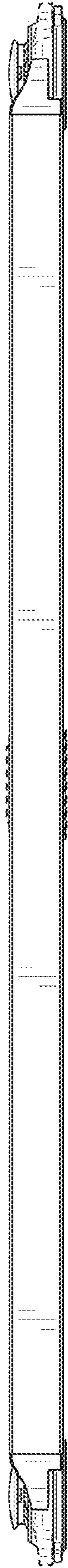


FIG. 7