



US00D684069S

(12) **United States Design Patent**
Ishii et al.

(10) **Patent No.:** **US D684,069 S**
(45) **Date of Patent:** **** Jun. 11, 2013**

(54) **LIGHT WAVE DISTANCE MEASURING THEODOLITE**

(75) Inventors: **Mitsuo Ishii**, Ageo (JP); **Yasuyuki Bamba**, Isehara (JP)

(73) Assignee: **Kabushiki Kaisha Topcon**, Tokyo (JP)

(**) Term: **14 Years**

(21) Appl. No.: **29/416,375**

(22) Filed: **Mar. 21, 2012**

(30) **Foreign Application Priority Data**

Sep. 22, 2011 (JP) 2011-021683
Sep. 22, 2011 (JP) 2011-021684

(51) **LOC (9) Cl.** **10-04**

(52) **U.S. Cl.**
USPC **D10/66; D10/70**

(58) **Field of Classification Search**
USPC D10/66, 69, 70; 33/276, 277, 281, 33/285, 286, 290, 291-299, DIG. 21; 340/539, 340/825.36, 825.46, 825.49; 356/5.15, 4.01, 356/5.01, 4.05, 5.05-5.09, 5.12, 28.5, 345, 356/375, 3.01, 128-155, 399-400; 385/83, 385/97-99, 134-139; 264/1.24-1.25
See application file for complete search history.

(56) **References Cited**

U.S. PATENT DOCUMENTS

D367,233 S * 2/1996 Hoshino D10/66
D375,464 S * 11/1996 Hoshino D10/66
D389,418 S * 1/1998 Takayama et al. D10/66
D409,507 S * 5/1999 Ishii D10/66
5,991,706 A * 11/1999 Tsukamoto et al. 33/281

D427,087 S * 6/2000 Kaneko et al. D10/66
D447,066 S * 8/2001 Takayama et al. D10/66
6,354,010 B1 * 3/2002 Shirai 33/292
6,550,150 B1 * 4/2003 Shirai et al. 33/290
6,859,269 B2 * 2/2005 Ohtomo et al. 356/141.1
D526,223 S * 8/2006 Ishii et al. D10/66
7,168,174 B2 * 1/2007 Piekutowski 33/286
7,200,945 B2 * 4/2007 Endo 33/290
D558,075 S * 12/2007 Ishii D10/66
7,319,512 B2 * 1/2008 Ohtomo et al. 356/4.03
D576,062 S * 9/2008 Hayamizu et al. D10/66
7,552,539 B2 * 6/2009 Piekutowski 33/286
7,564,488 B2 * 7/2009 Kumagai et al. 348/240.3
D605,959 S * 12/2009 Apotheloz D10/66
7,669,340 B2 * 3/2010 Matsuo et al. 33/290
7,739,803 B2 * 6/2010 Yahagi et al. 33/290
D629,314 S * 12/2010 Ogasawara D10/66
D635,475 S * 4/2011 Kludas et al. D10/66
8,264,672 B1 * 9/2012 Cole 356/4.01

* cited by examiner

Primary Examiner — Antoine D Davis

(74) *Attorney, Agent, or Firm* — Oliff & Berridge, PLC

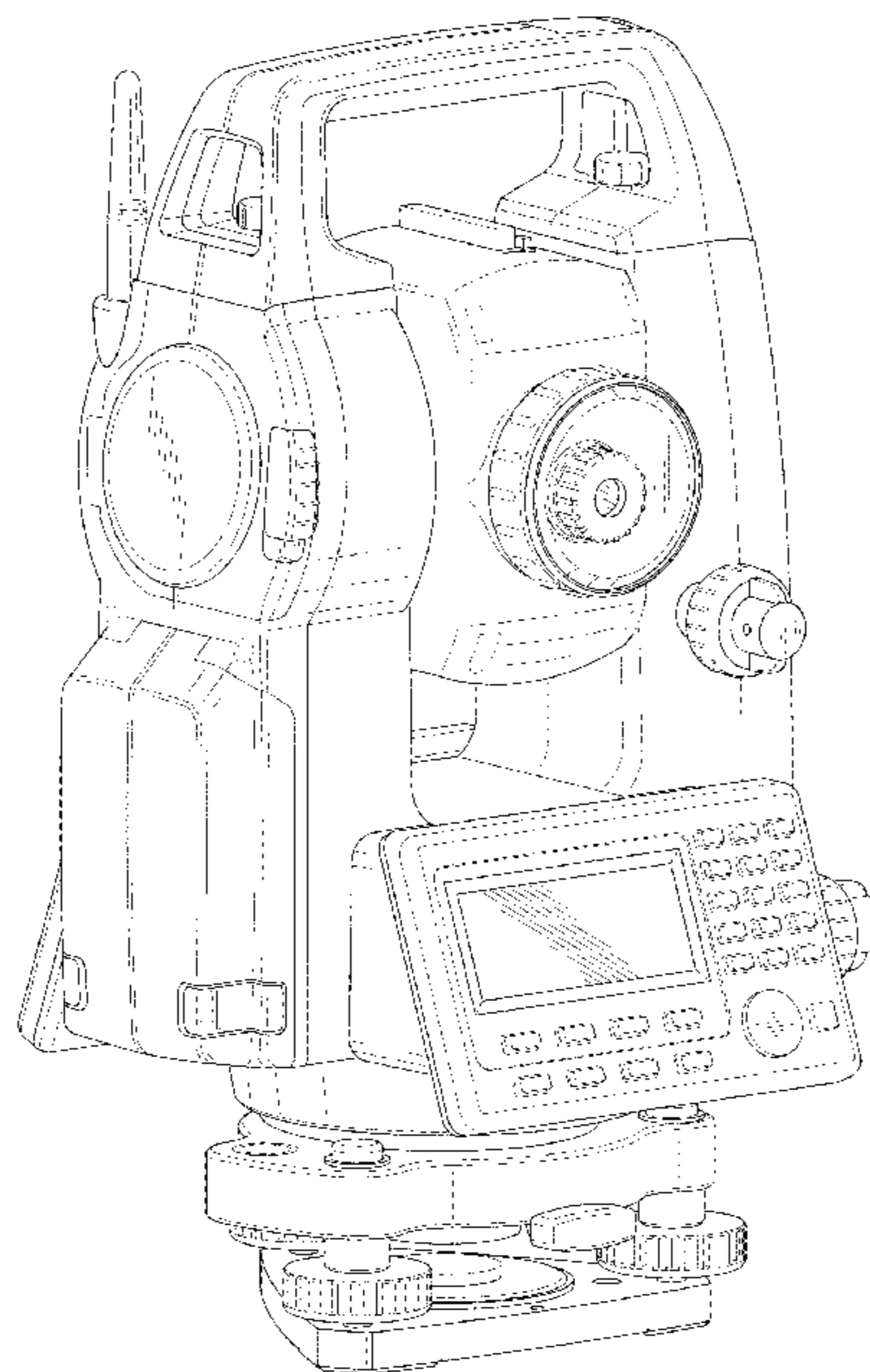
(57) **CLAIM**

The ornamental design for a light wave distance measuring theodolite, as shown and described.

DESCRIPTION

FIG. 1 is a perspective view of a light wave distance measuring theodolite;
FIG. 2 is a front view thereof;
FIG. 3 is a top view thereof;
FIG. 4 is a right-side view thereof;
FIG. 5 is a left-side view thereof;
FIG. 6 is a rear view thereof; and,
FIG. 7 is a bottom view thereof.

1 Claim, 7 Drawing Sheets



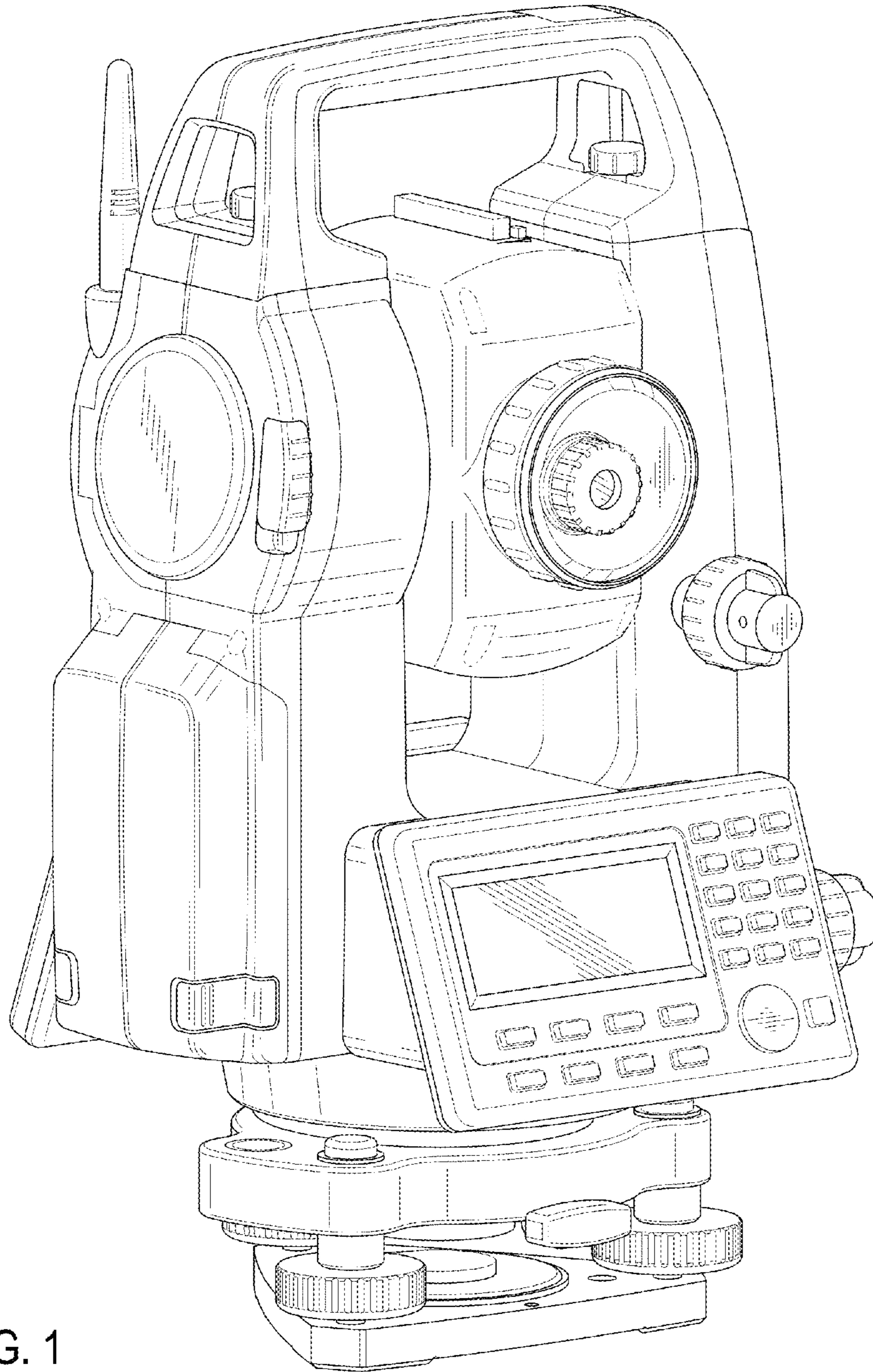


FIG. 1

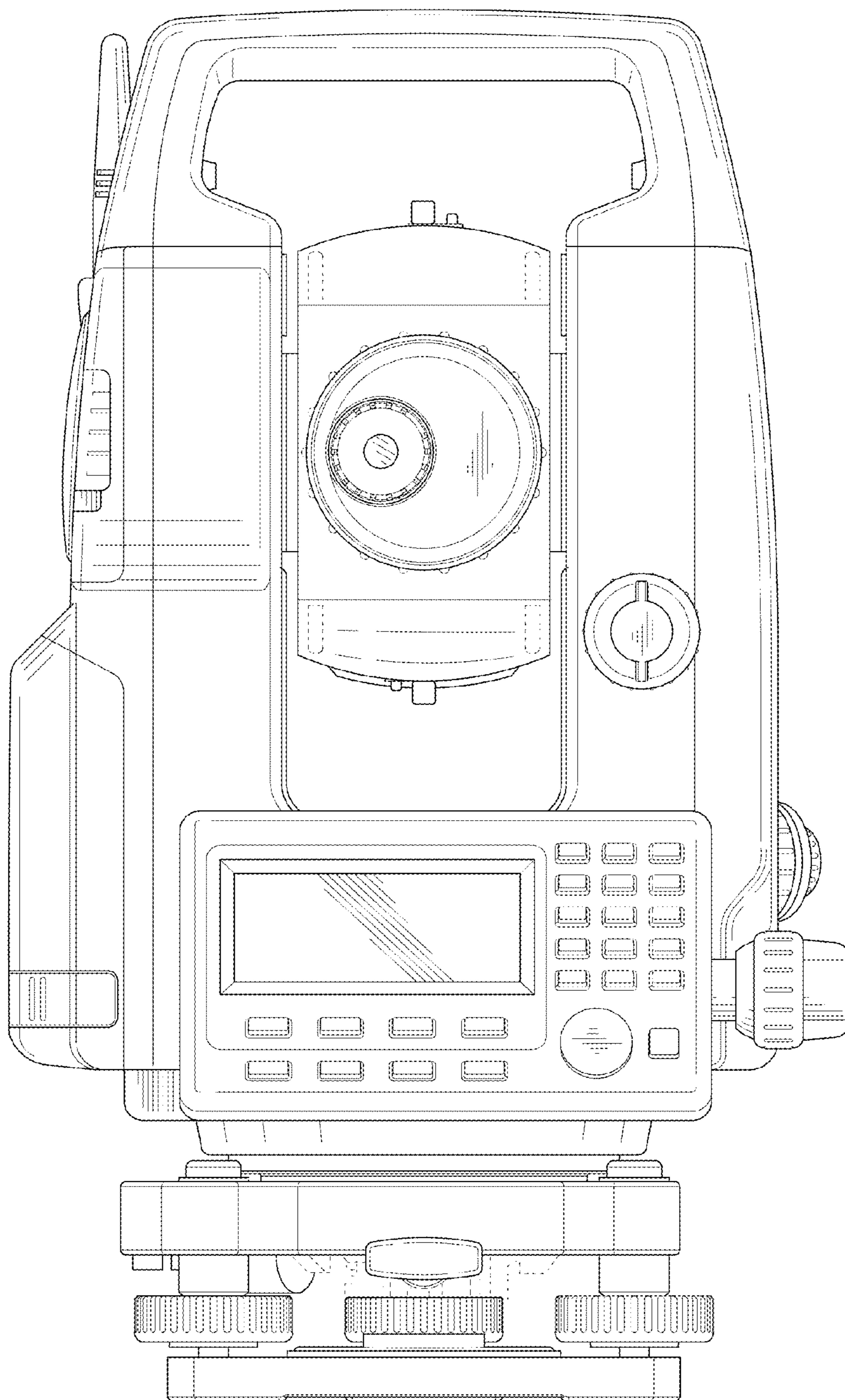


FIG. 2

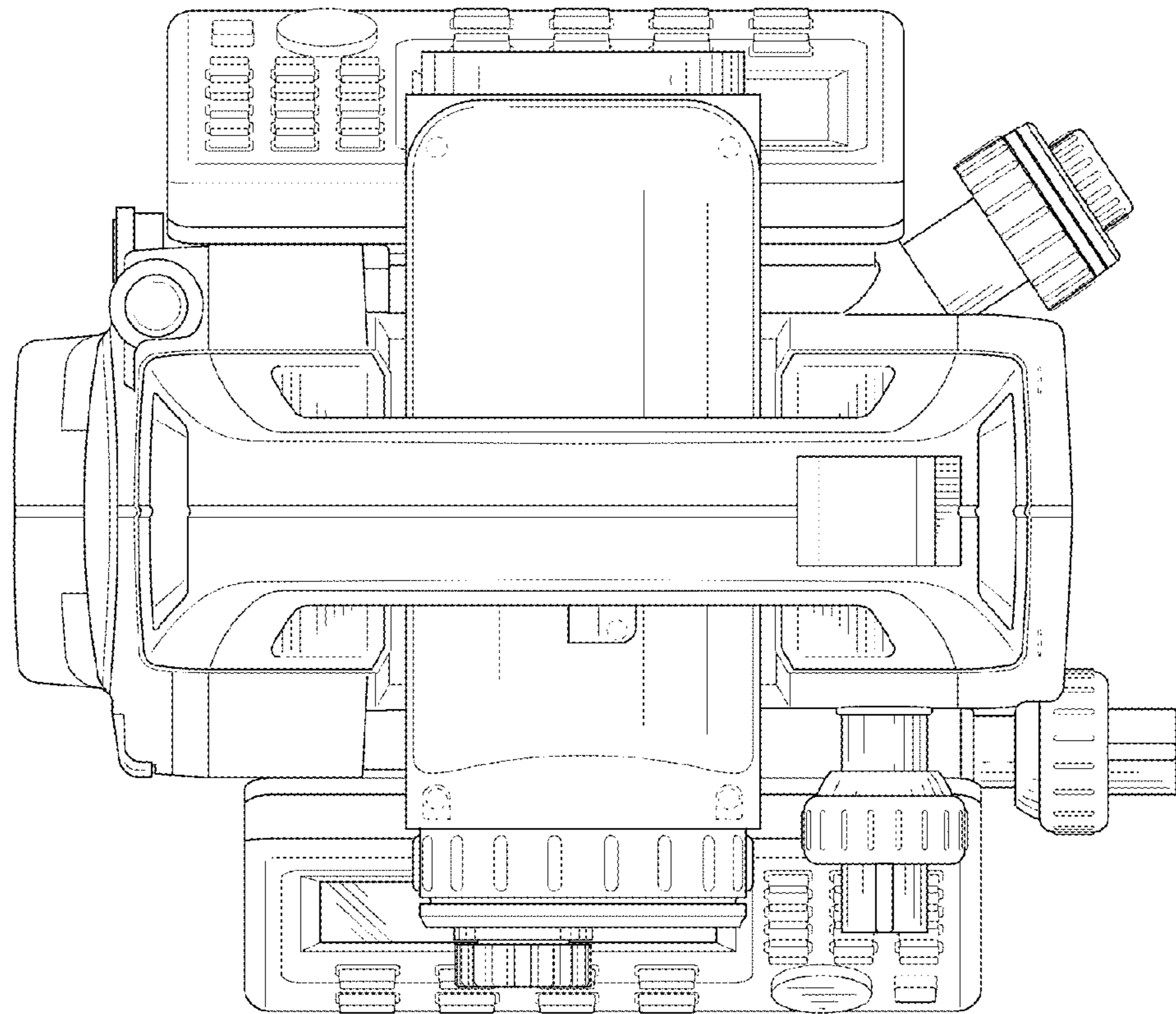


FIG. 3

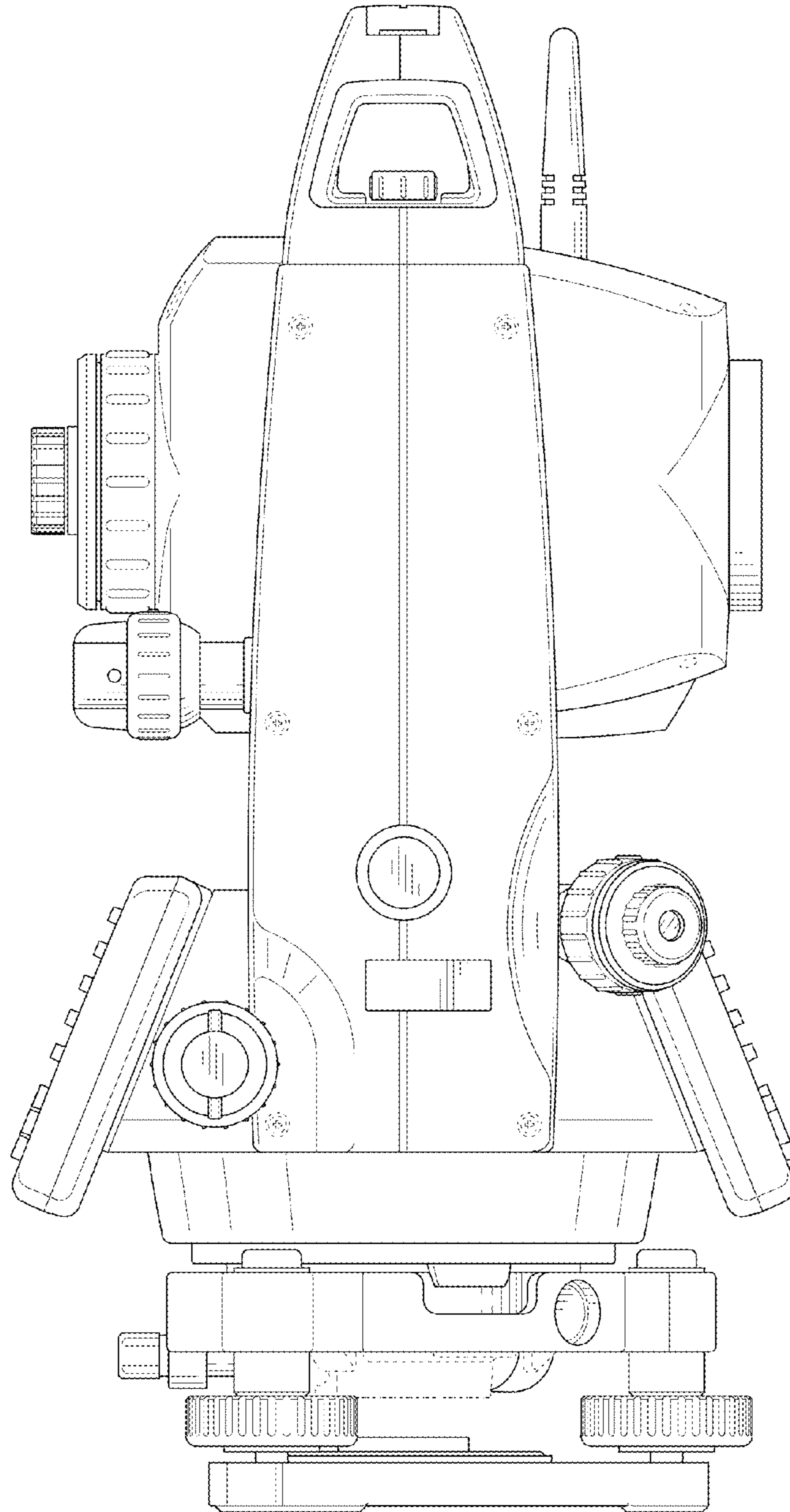


FIG. 4

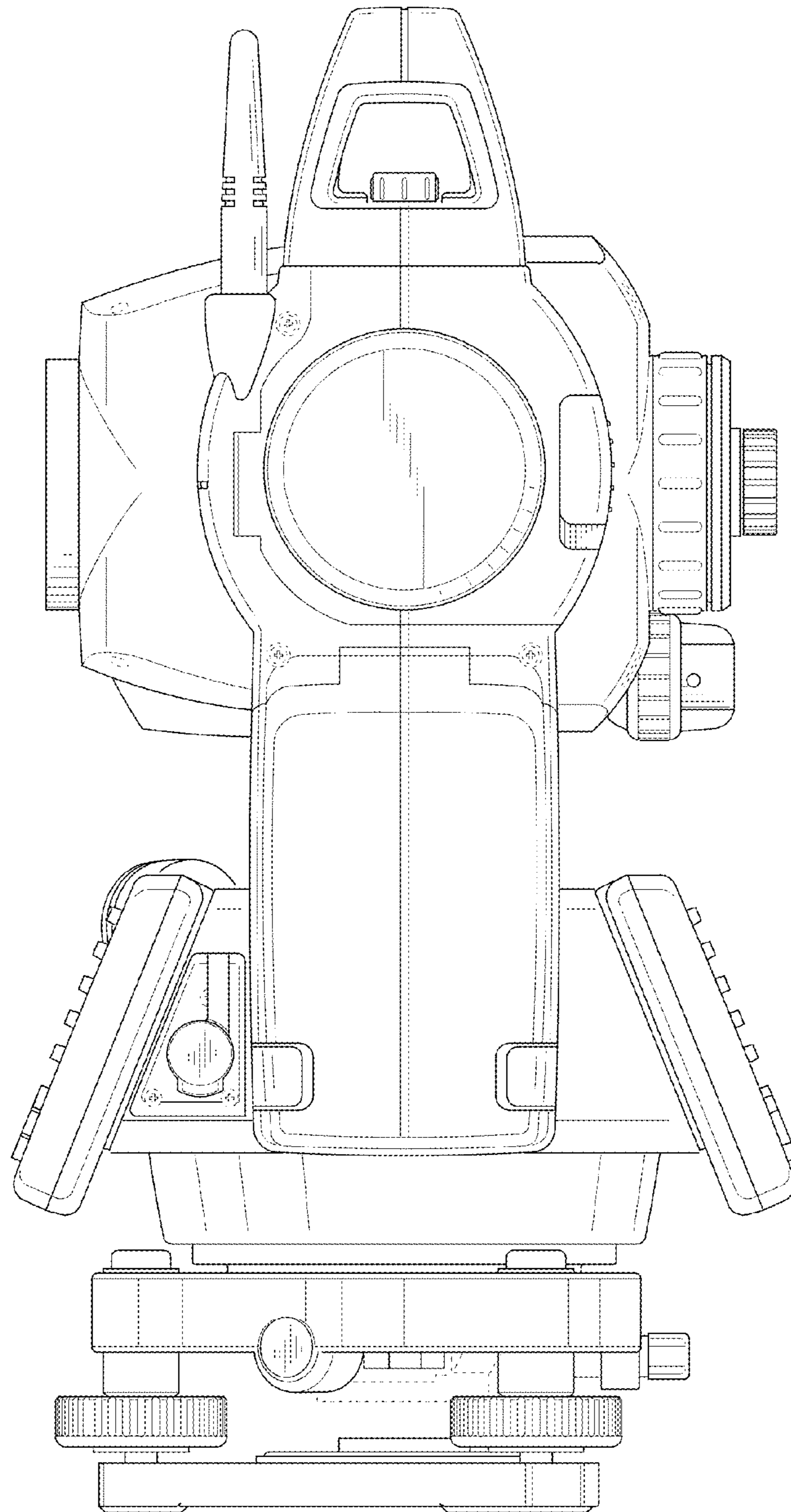


FIG. 5

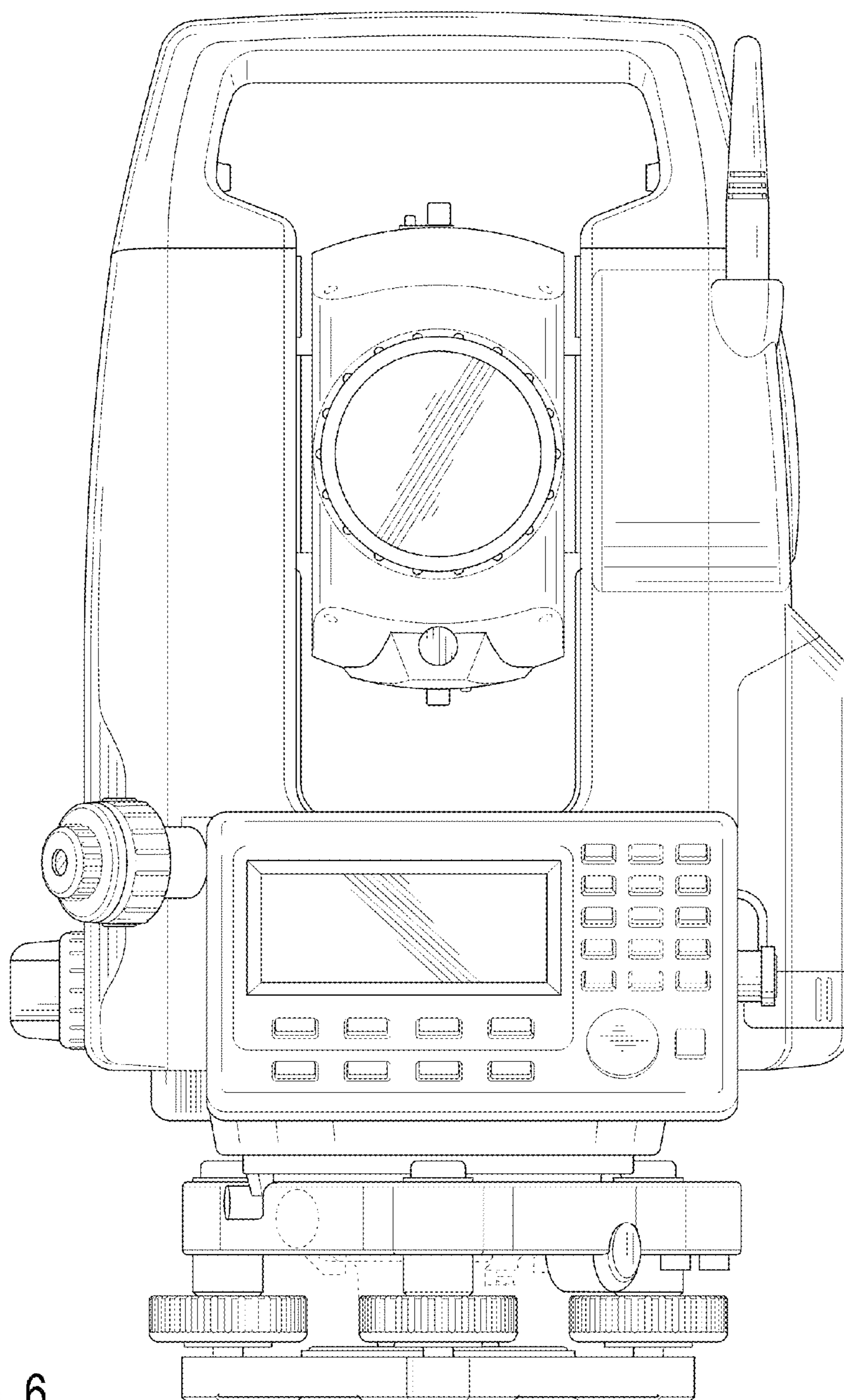


FIG. 6

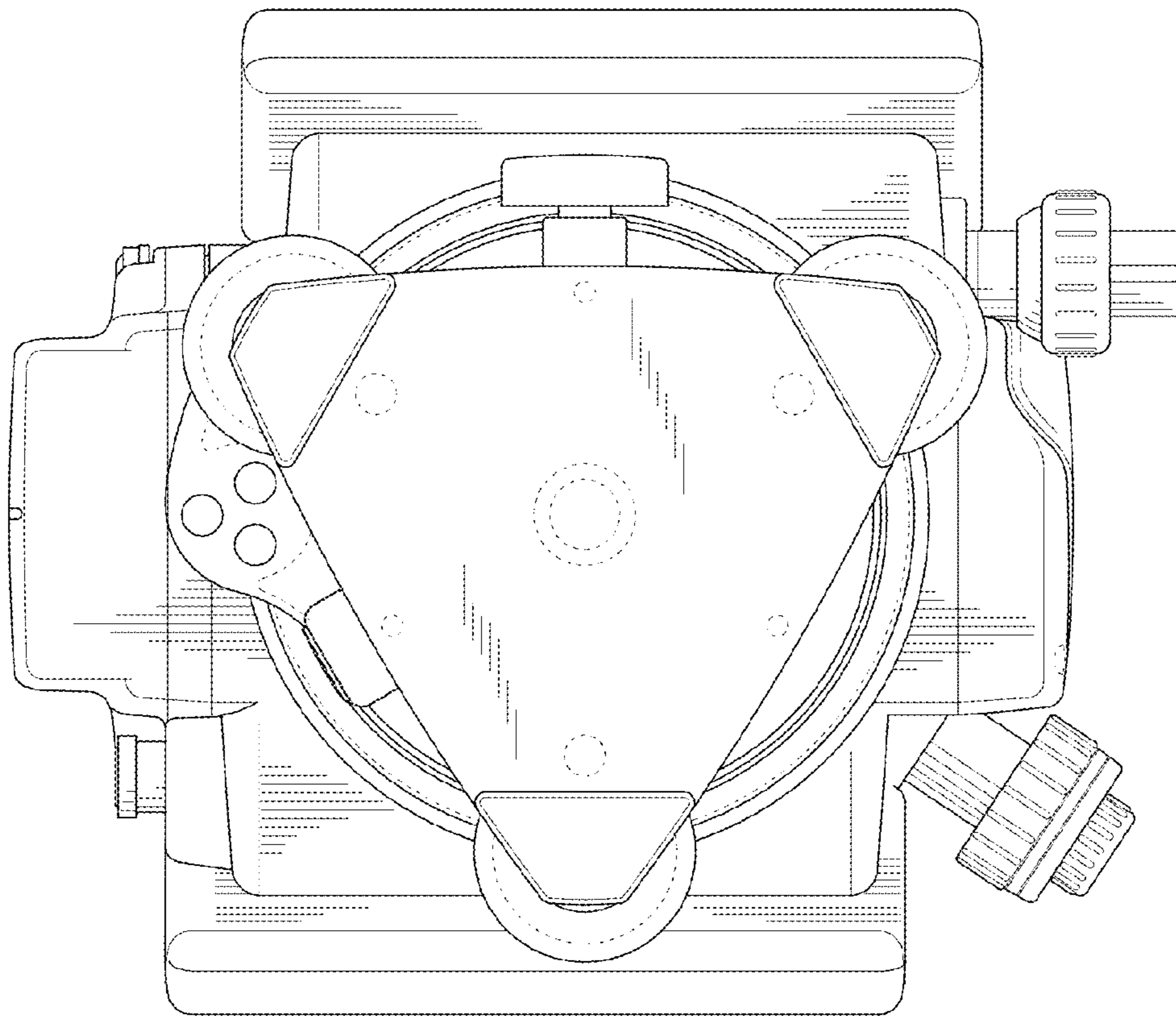


FIG. 7