



US00D684058S

(12) **United States Design Patent**  
**Kwon**

(10) **Patent No.:** **US D684,058 S**  
(45) **Date of Patent:** **\*\* Jun. 11, 2013**

(54) **SAFETY CAP OF POUCH**  
(75) Inventor: **Seok-Woong Kwon**, Seoul (KR)  
(73) Assignee: **Joongang Platec Co., Ltd.**, Pyongtaek (KR)

D505,066 S \* 5/2005 Ootubo ..... D9/709  
7,028,858 B2 \* 4/2006 Auer et al. .... 215/318  
D547,657 S \* 7/2007 Tacchella ..... D9/454  
D563,797 S \* 3/2008 McMorris ..... D9/708  
D592,954 S \* 5/2009 Capretta et al. .... D9/453  
D617,187 S \* 6/2010 Murray ..... D9/435  
D670,559 S \* 11/2012 Webster ..... D9/453

(\*\*) Term: **14 Years**

\* cited by examiner

(21) Appl. No.: **29/407,451**

*Primary Examiner* — Susan Bennett Hattan

(22) Filed: **Nov. 29, 2011**

(74) *Attorney, Agent, or Firm* — Jefferson IP Law, LLP

(30) **Foreign Application Priority Data**

(57) **CLAIM**

The ornamental design for a safety cap of pouch, as shown and described.

Sep. 5, 2011 (KR) ..... 30-2011-0037108

**DESCRIPTION**

(51) **LOC (9) Cl.** ..... **09-07**

(52) **U.S. Cl.**  
USPC ..... **D9/453; D9/454**

(58) **Field of Classification Search**  
USPC ..... D9/708, 709, 710, 454, 453, 452,  
D9/449, 443, 435, 434; D7/391; 220/281;  
215/271, 253, 222, 220; 138/96 R  
See application file for complete search history.

FIG. 1 is a top perspective view of a safety cap of pouch, showing a new design;  
FIG. 2 is a front elevational view thereof;  
FIG. 3 is a rear elevational view thereof;  
FIG. 4 is a left side elevational view thereof;  
FIG. 5 is a right side elevational view thereof;  
FIG. 6 is a top plan view thereof;  
FIG. 7 is a bottom plan view thereof;  
FIG. 8 is a top perspective view thereof showing the safety cap of pouch in an alternative configuration; and,  
FIG. 9 is a bottom perspective view thereof showing the safety cap of pouch in the alternative configuration.

(56) **References Cited**

U.S. PATENT DOCUMENTS

D145,011 S \* 6/1946 Derham ..... D9/453  
D290,323 S \* 6/1987 Weernink ..... D7/511  
D445,679 S \* 7/2001 Malmborg ..... D9/434

**1 Claim, 5 Drawing Sheets**

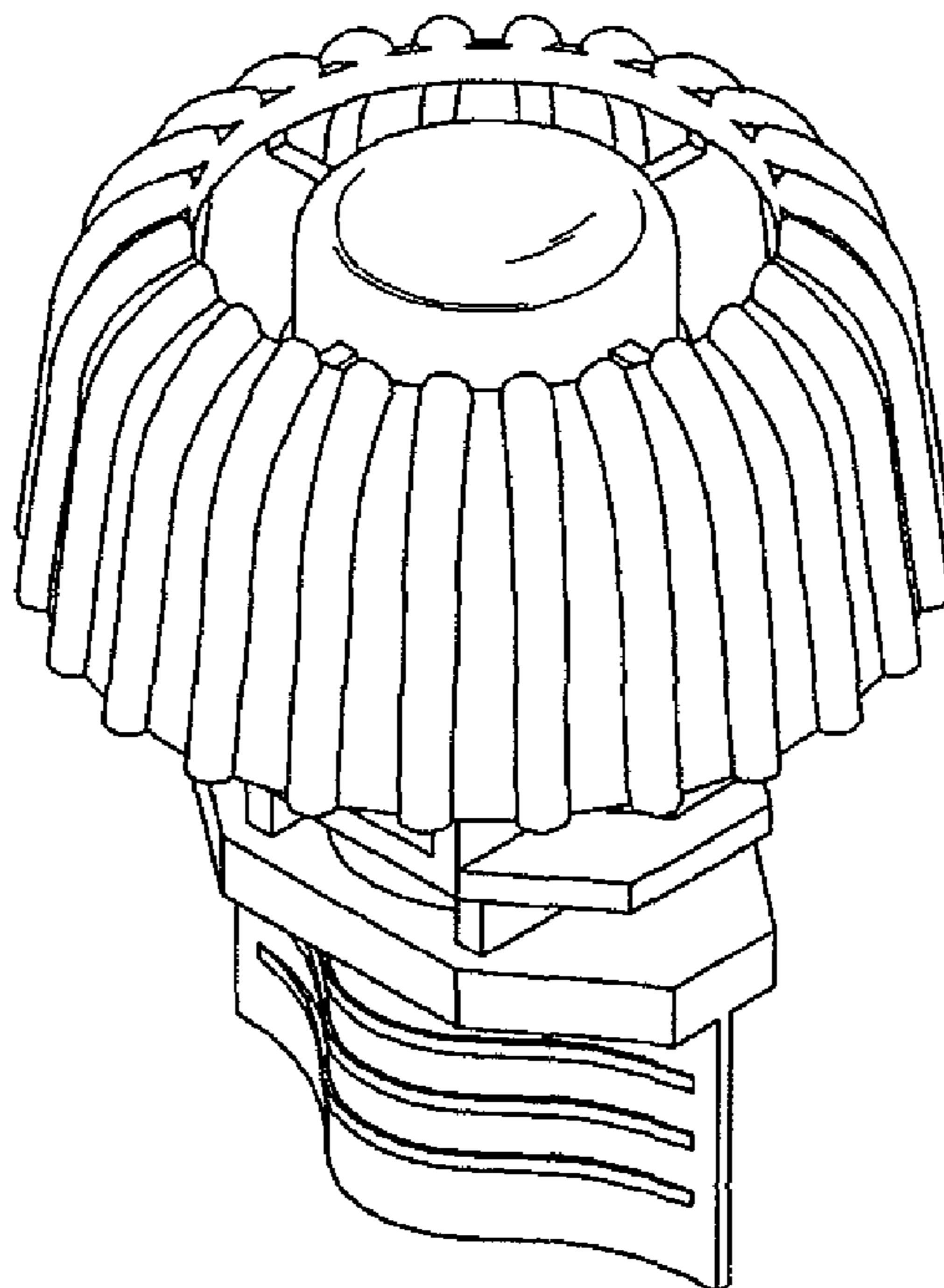


FIG. 1

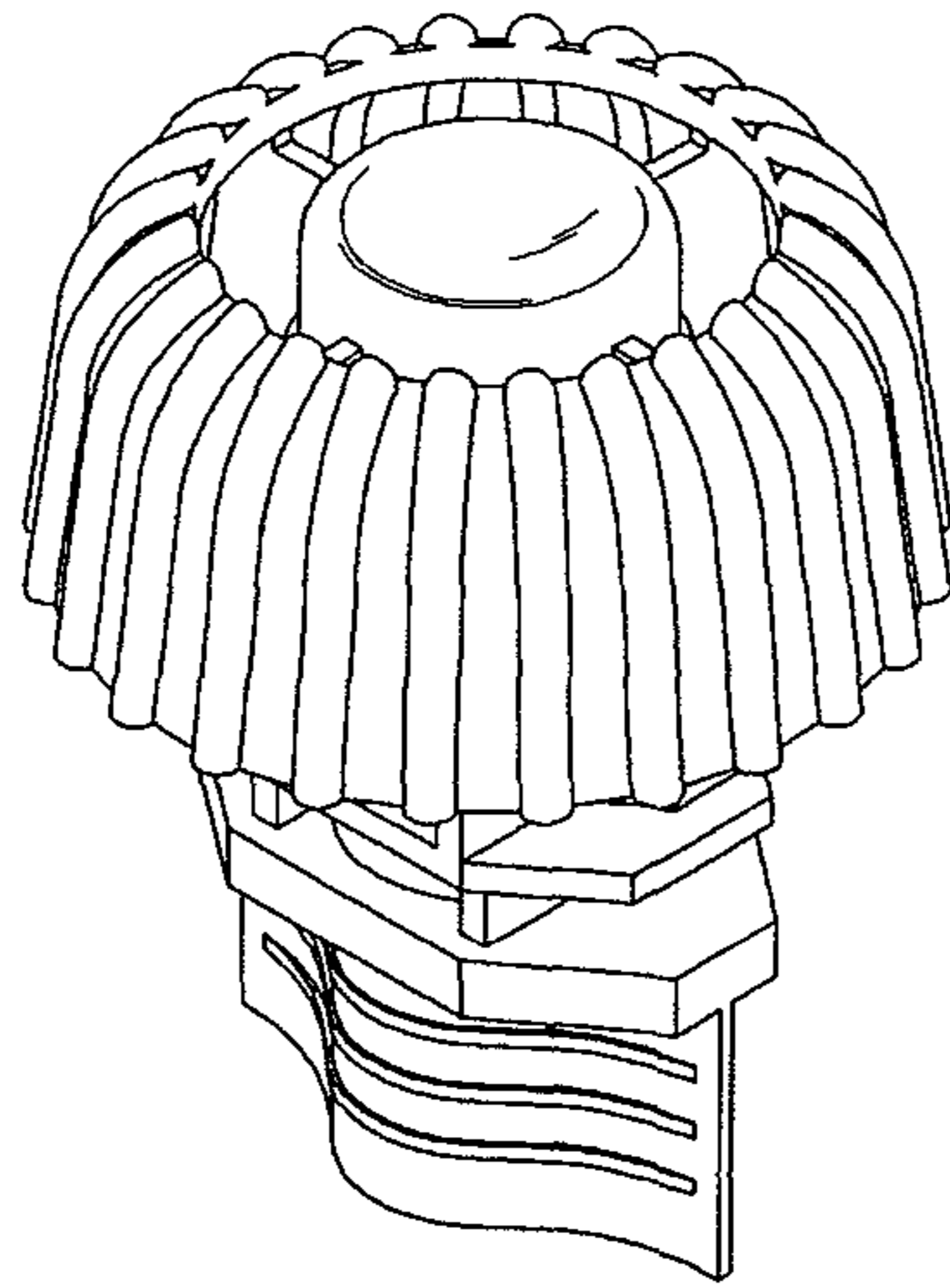
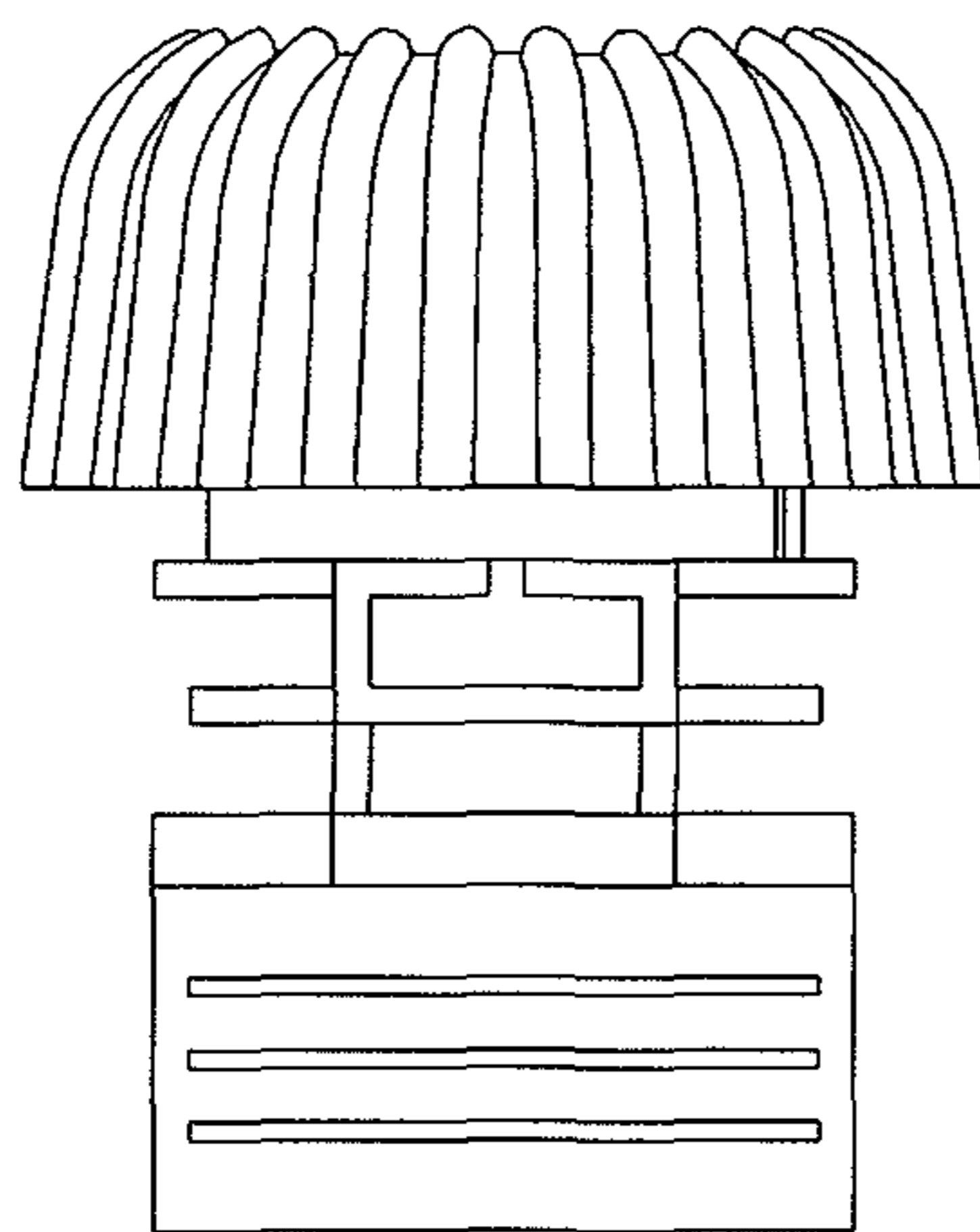


FIG. 2



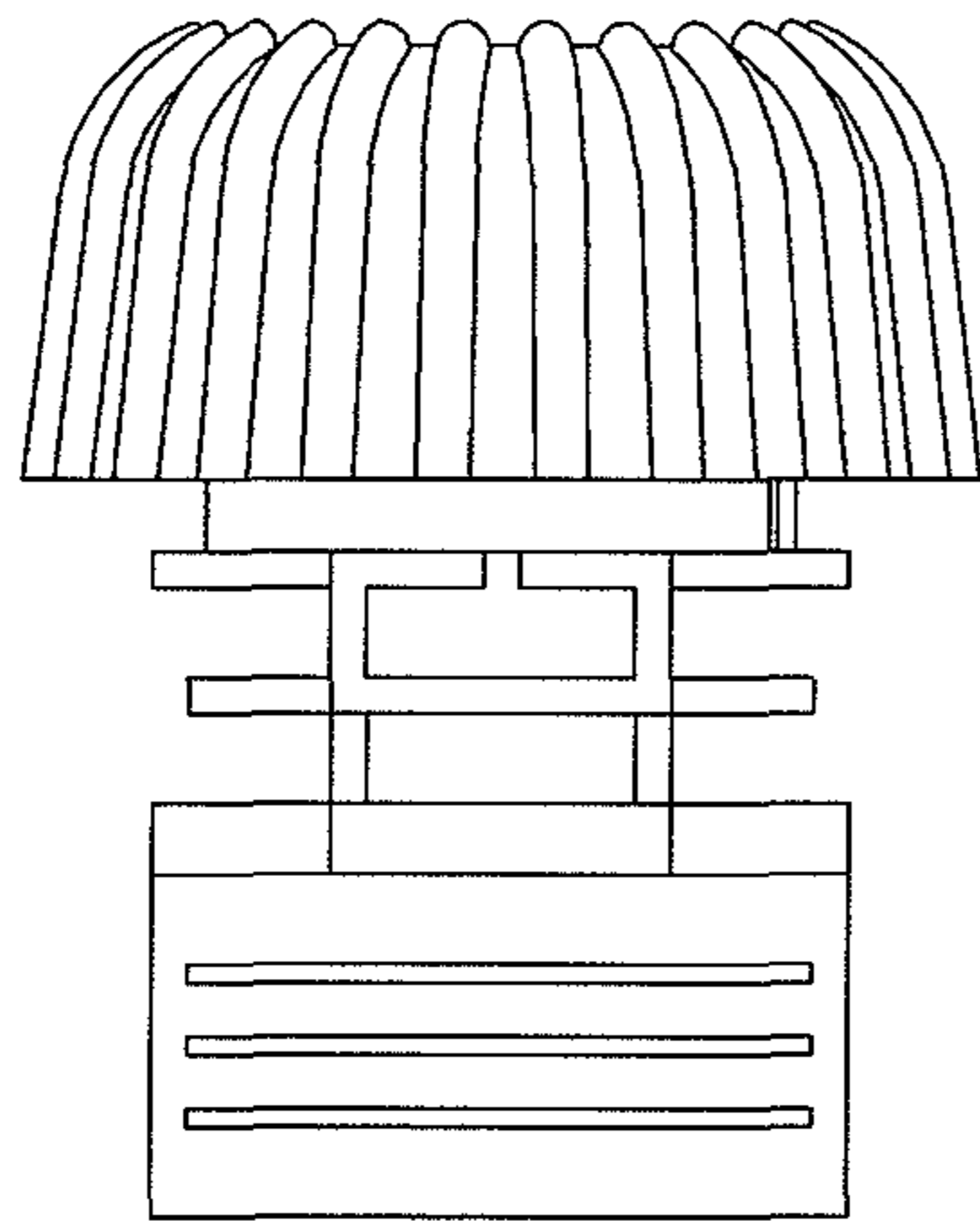


FIG. 3

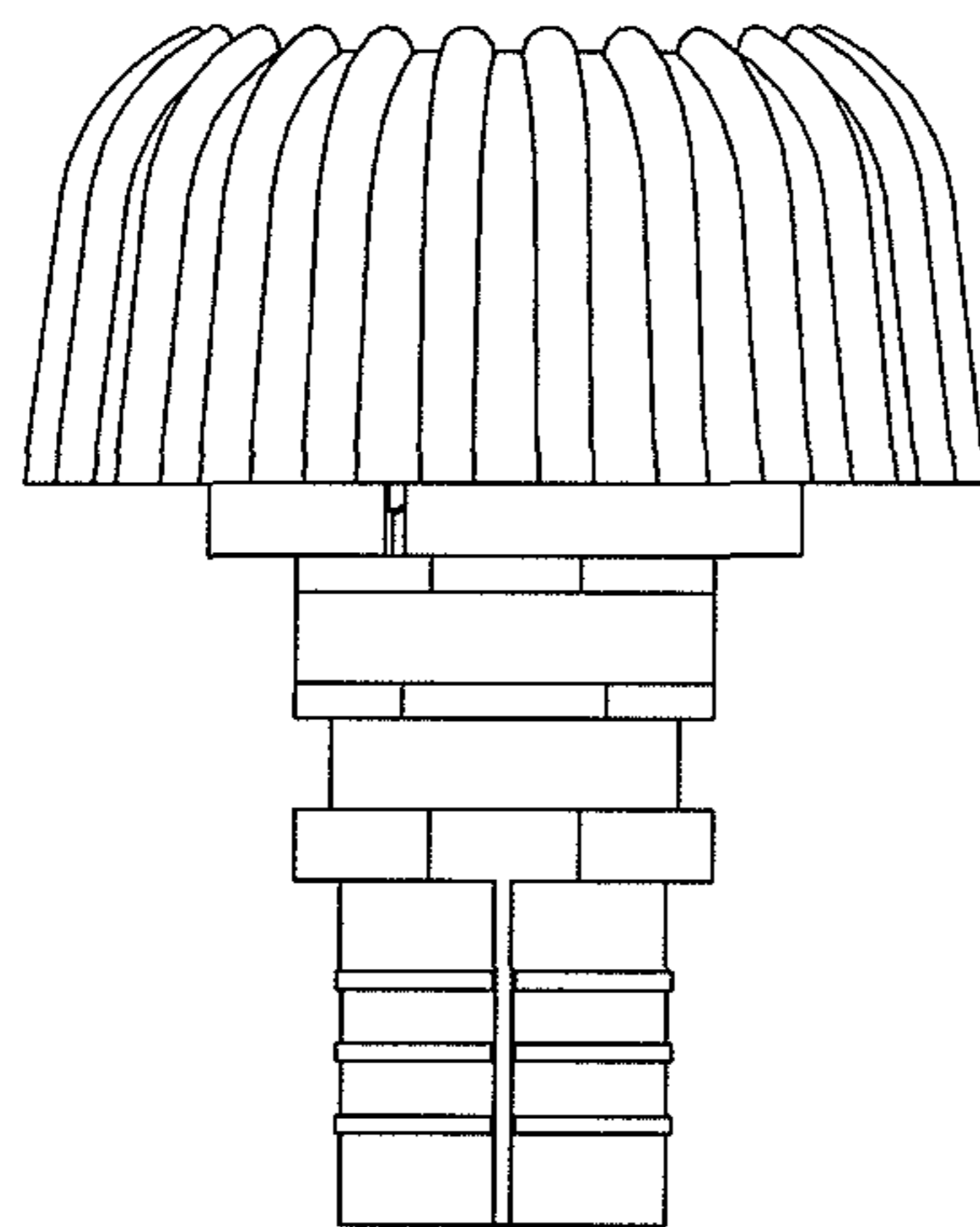


FIG. 4

FIG. 5

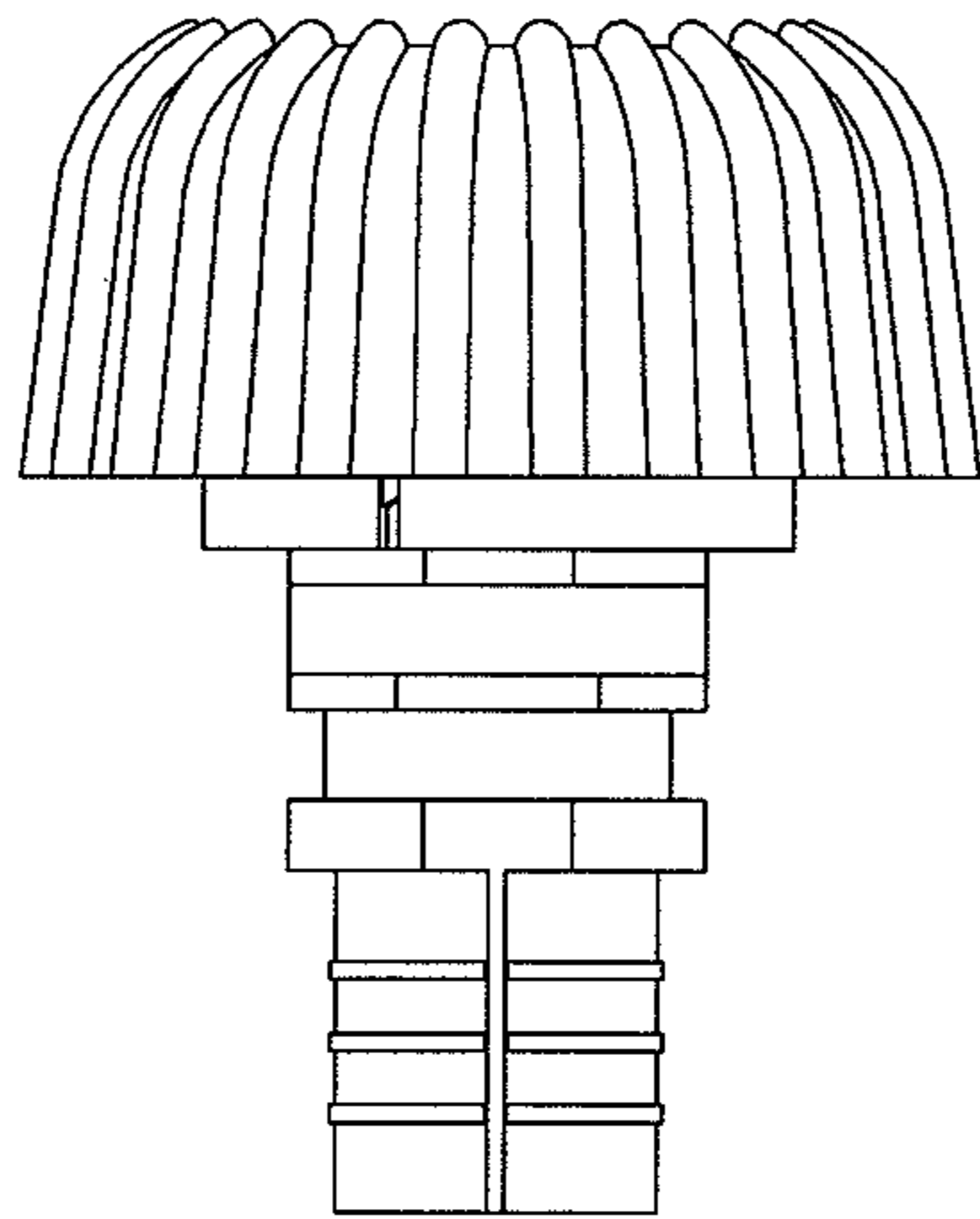


FIG. 6

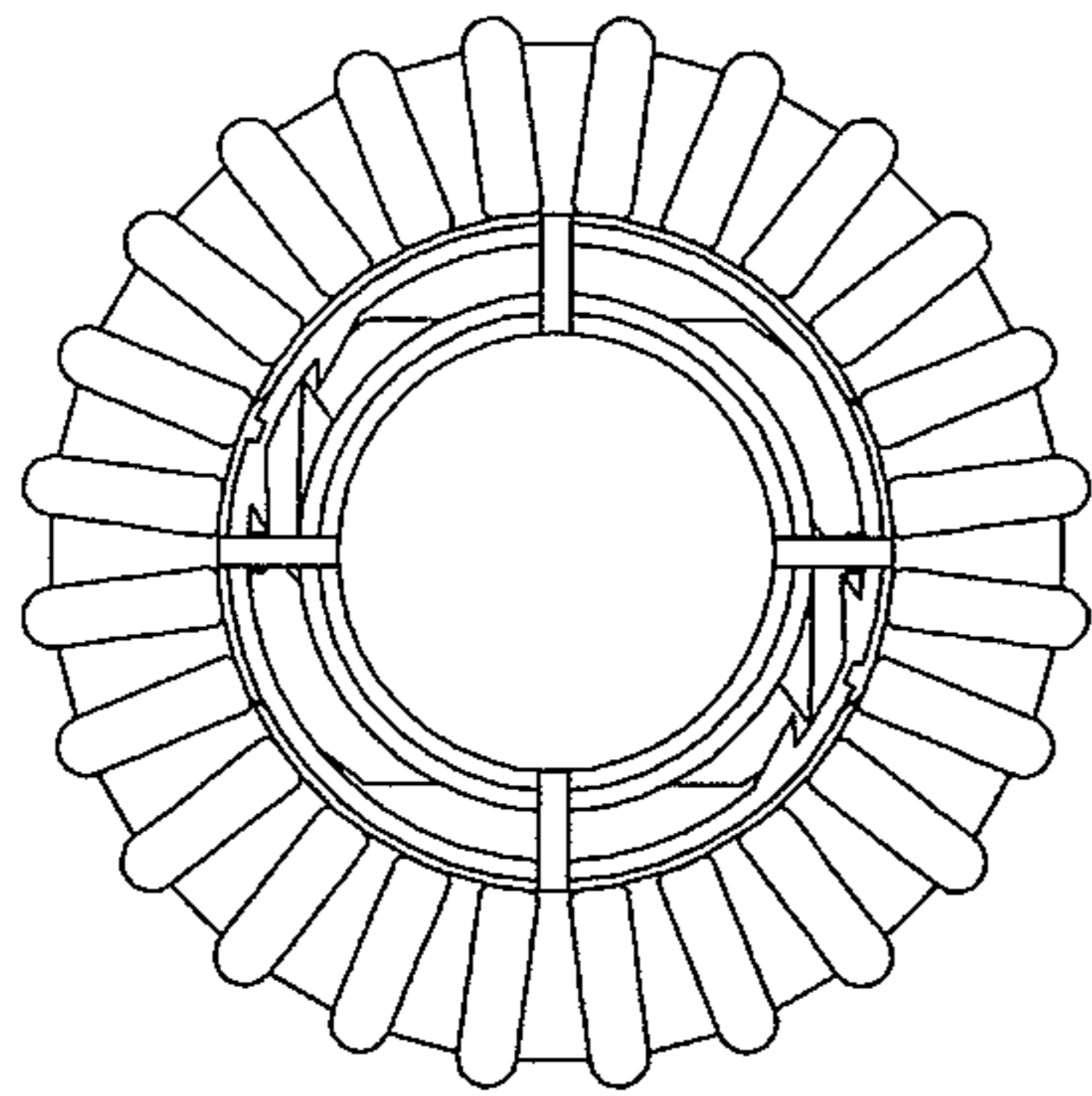


FIG. 7

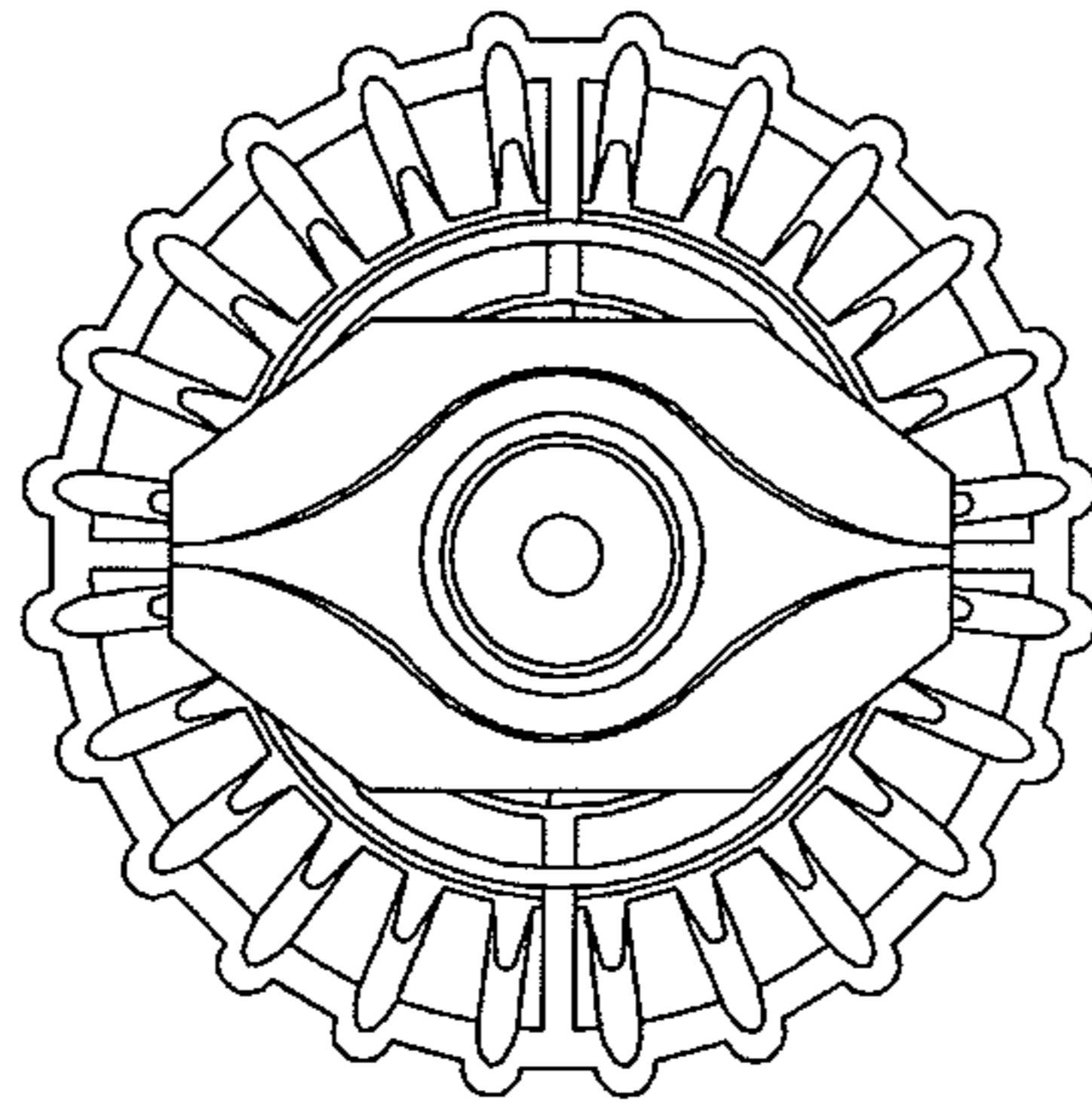
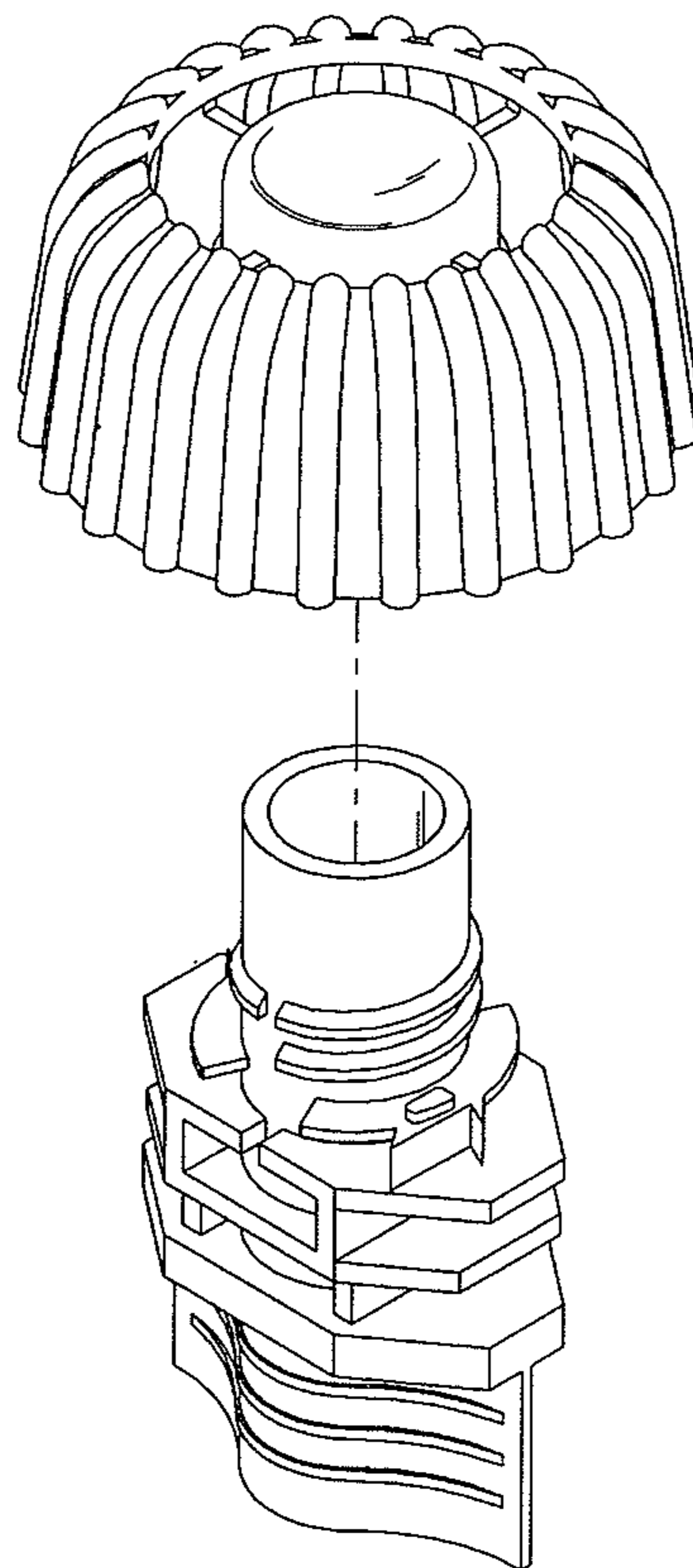


FIG. 8



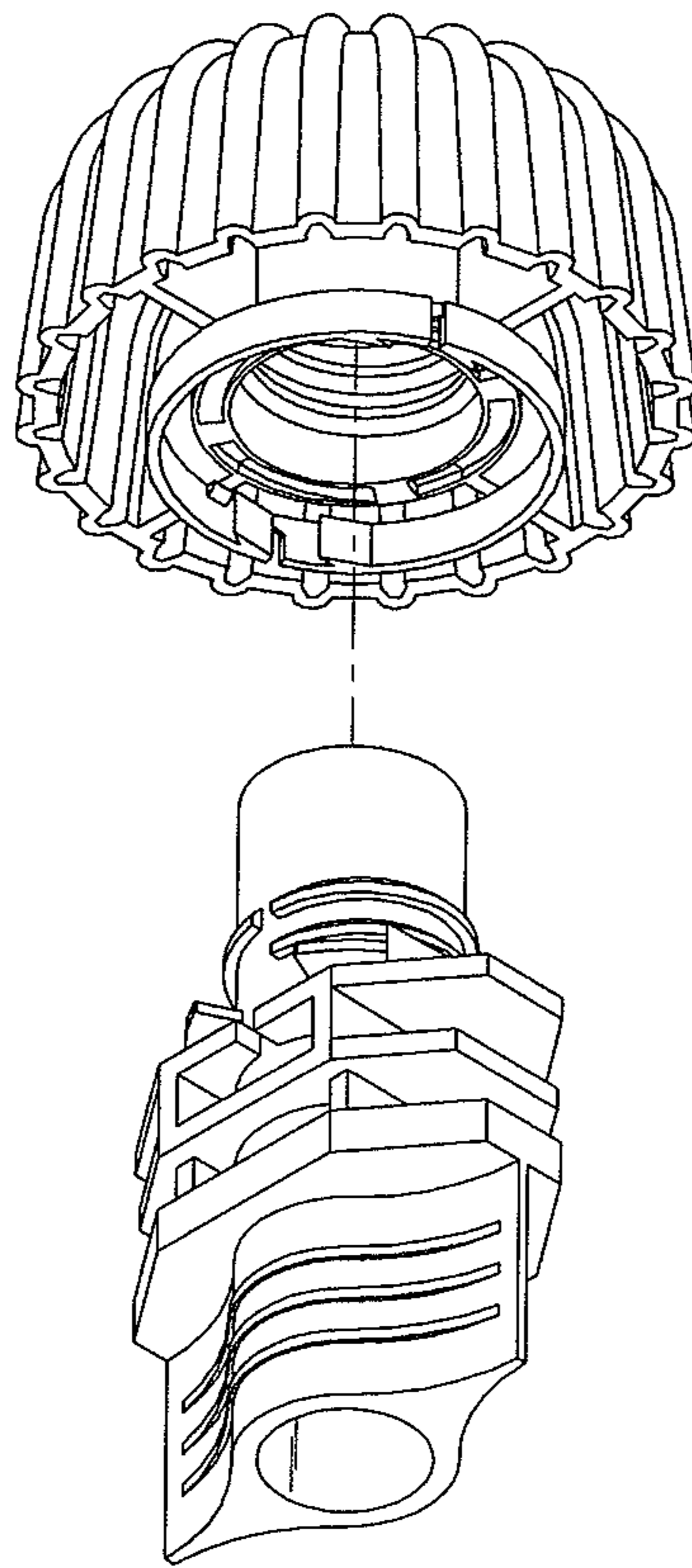


FIG. 9