



US00D684056S

(12) **United States Design Patent**
Kwon

(10) **Patent No.:** **US D684,056 S**
(45) **Date of Patent:** **** Jun. 11, 2013**

(54) **SAFETY CAP FOR POUCH**
(75) Inventor: **Seok-Woong Kwon**, Seoul (KR)
(73) Assignee: **Joongang Platec Co., Ltd**, Pyongtaek (KR)

D563,797 S * 3/2008 McMorris D9/708
D566,640 S * 4/2008 Holz et al. D12/197
D567,084 S * 4/2008 Batton et al. D9/454
D600,120 S * 9/2009 Kawamura D9/452
D604,613 S * 11/2009 Garboni D9/454
D617,187 S * 6/2010 Murray D9/435

* cited by examiner

(**) Term: **14 Years**

Primary Examiner — Susan Bennett Hattan

(21) Appl. No.: **29/422,327**

(74) *Attorney, Agent, or Firm* — Jefferson IP Law, LLP

(22) Filed: **May 18, 2012**

(57) **CLAIM**

The ornamental design for a safety cap for pouch, as shown and described.

(30) **Foreign Application Priority Data**

Apr. 9, 2012 (KR) 30-2012-0016707

DESCRIPTION

(51) **LOC (9) Cl.** **09-07**

(52) **U.S. Cl.**
USPC **D9/452**; D9/454

(58) **Field of Classification Search**
USPC D9/708, 709, 710, 454, 453, 452,
D9/449, 443, 435, 434; D7/391; 220/281;
215/271, 253, 222, 220; 138/96 R
See application file for complete search history.

FIG. 1 is a perspective view of a safety cap for pouch, showing a new design;
FIG. 2 is a front elevational view thereof;
FIG. 3 is a rear elevational view thereof;
FIG. 4 is a left side elevational view thereof;
FIG. 5 is a right side elevational view thereof;
FIG. 6 is a top plan view thereof;
FIG. 7 is a bottom plan view thereof;
FIG. 8 is another perspective view thereof at a certain angle;
and,
FIG. 9 is another perspective view thereof at another certain angle.

(56) **References Cited**

U.S. PATENT DOCUMENTS

D482,283 S * 11/2003 Wichmann et al. D9/454
D505,066 S * 5/2005 Ootubo D9/709
D547,657 S * 7/2007 Tacchella D9/454

1 Claim, 9 Drawing Sheets

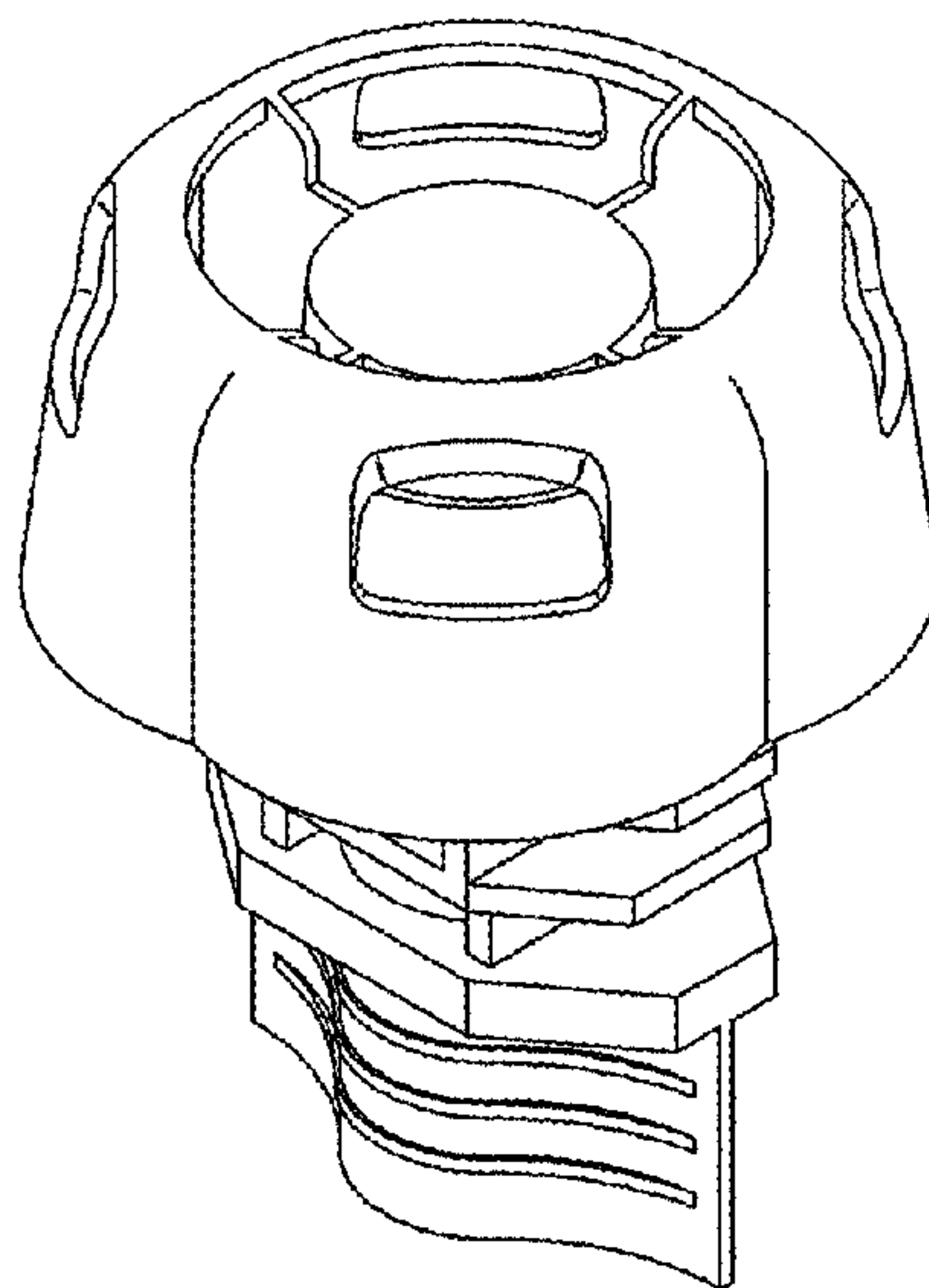


FIG. 1

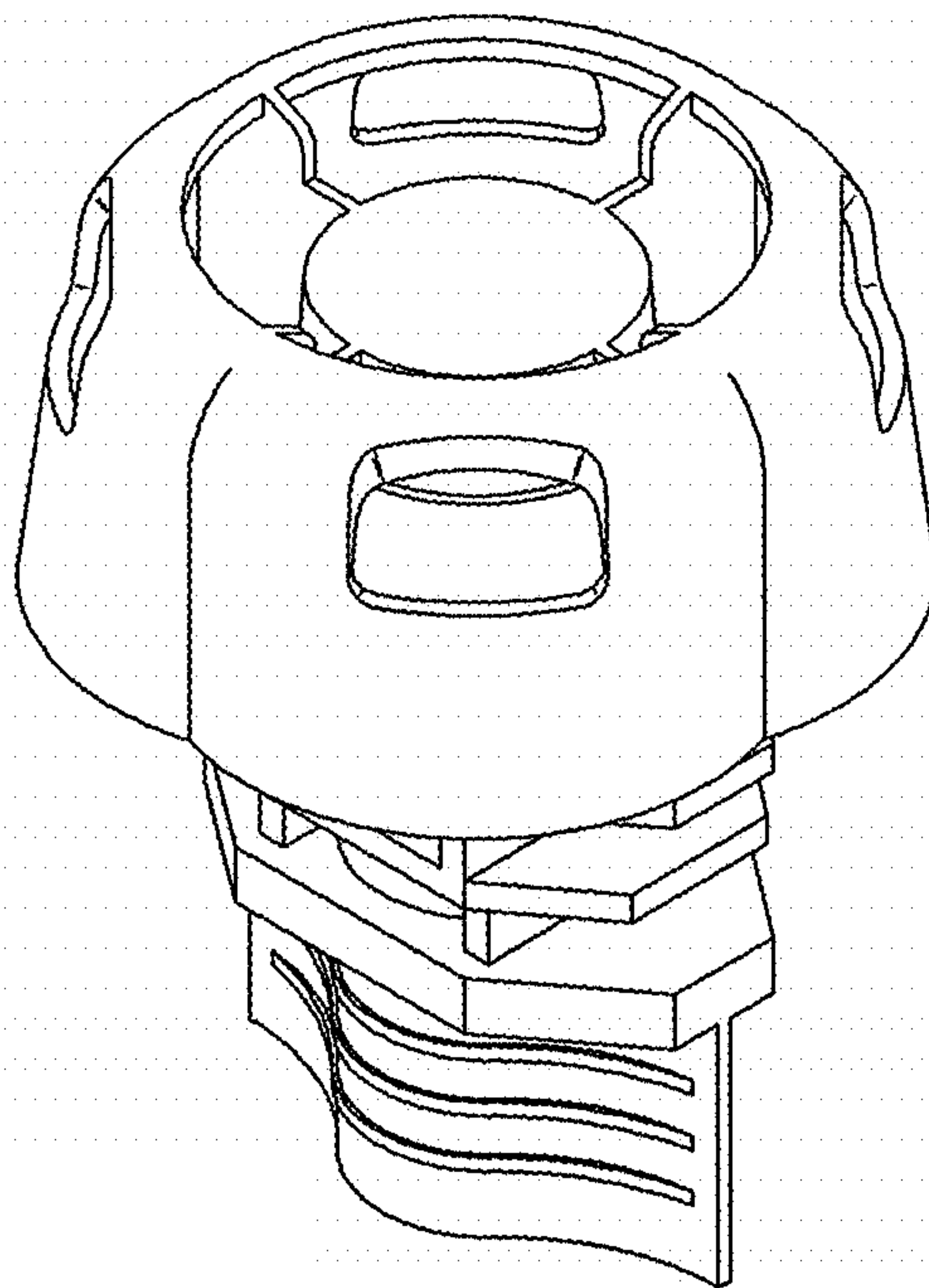


FIG. 2

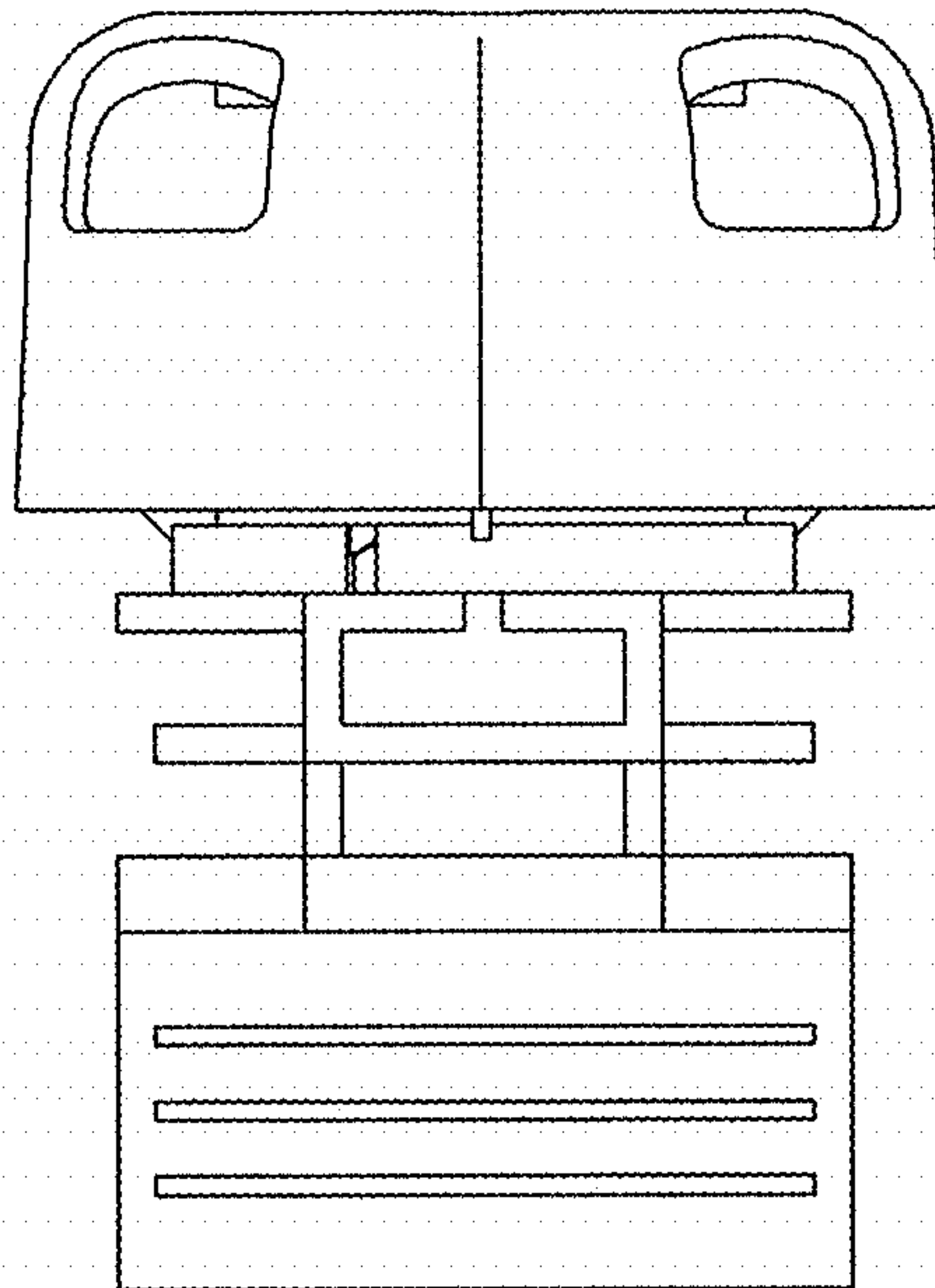


FIG. 3

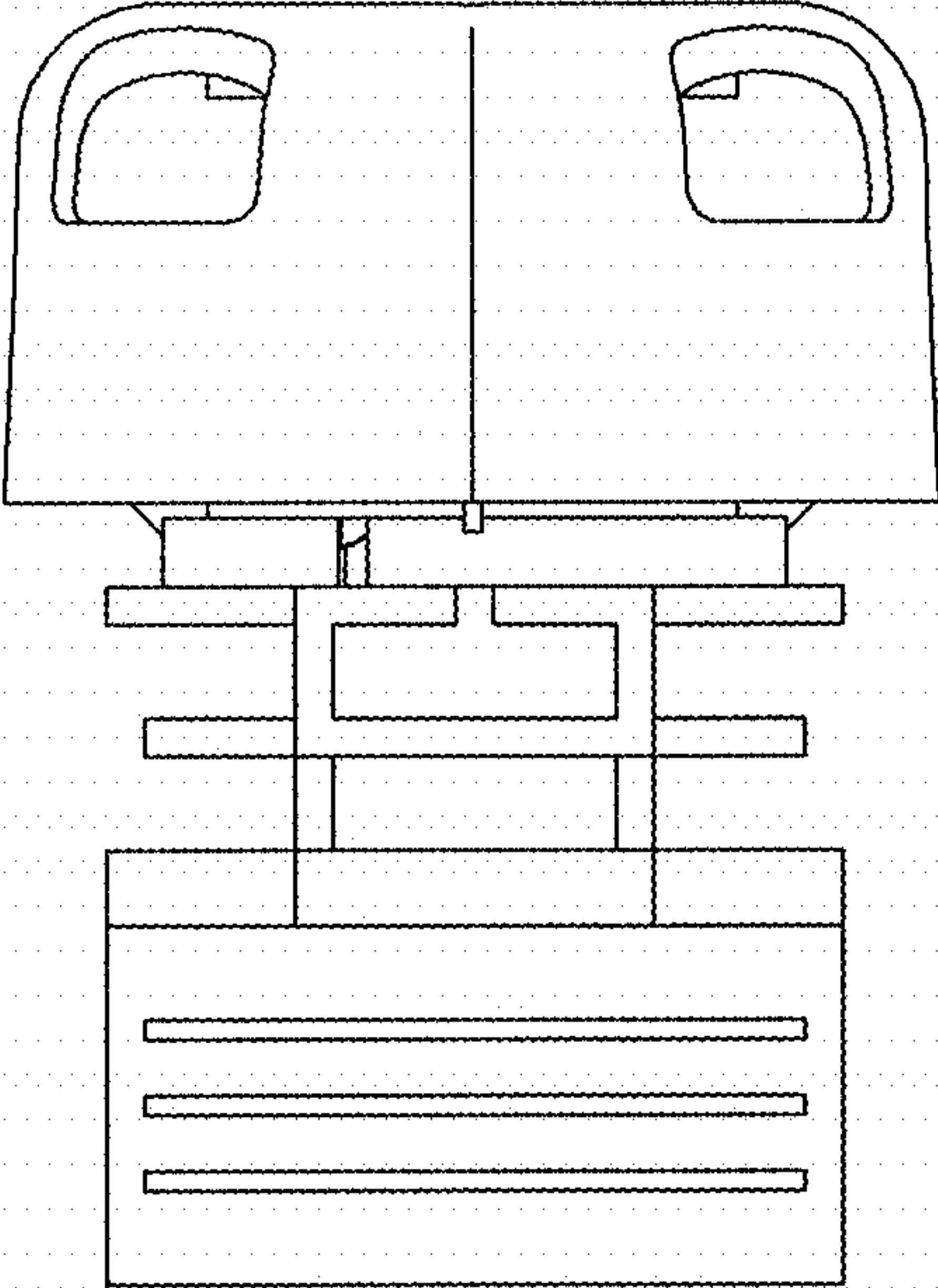


FIG. 4

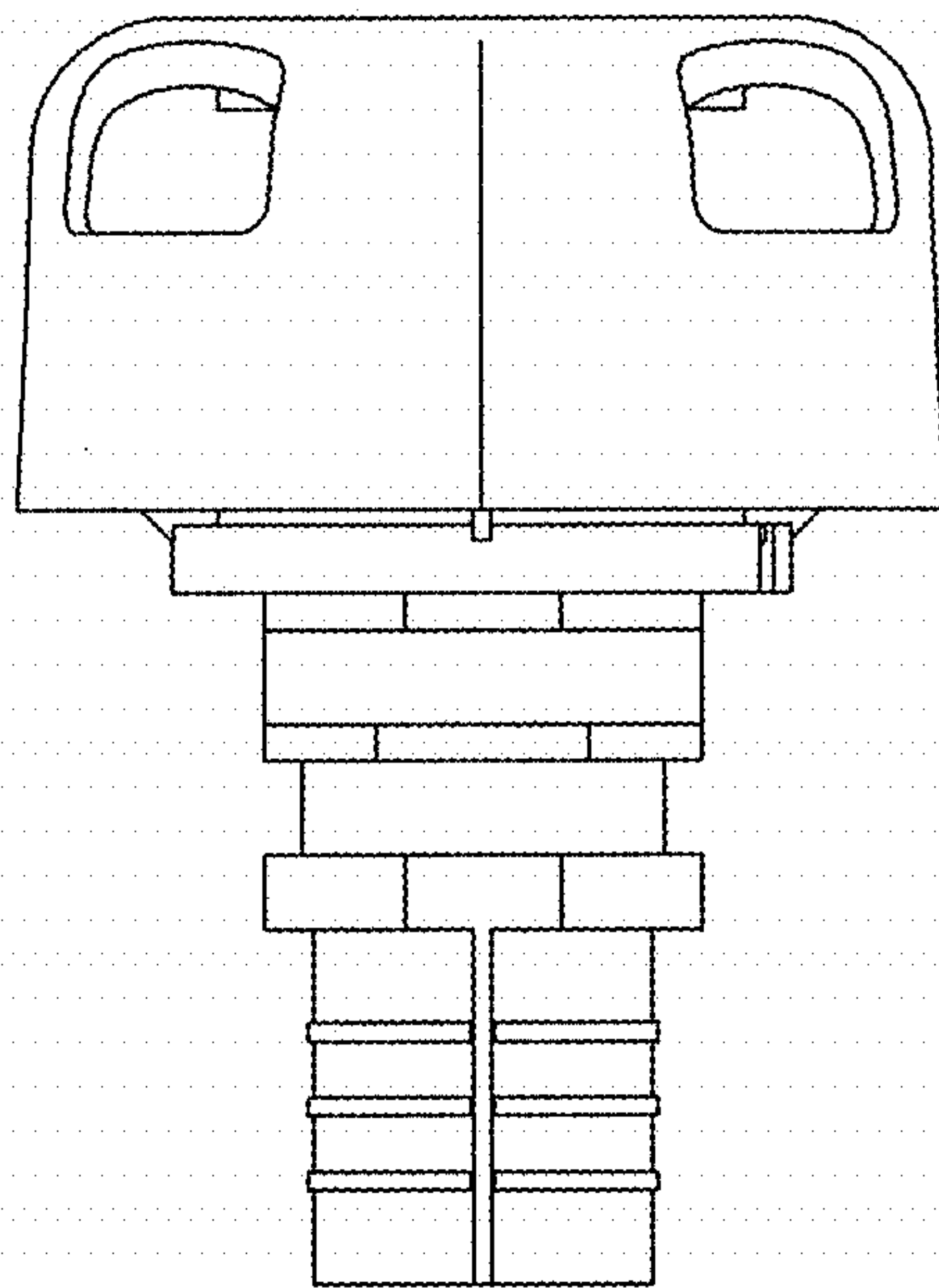


FIG. 5

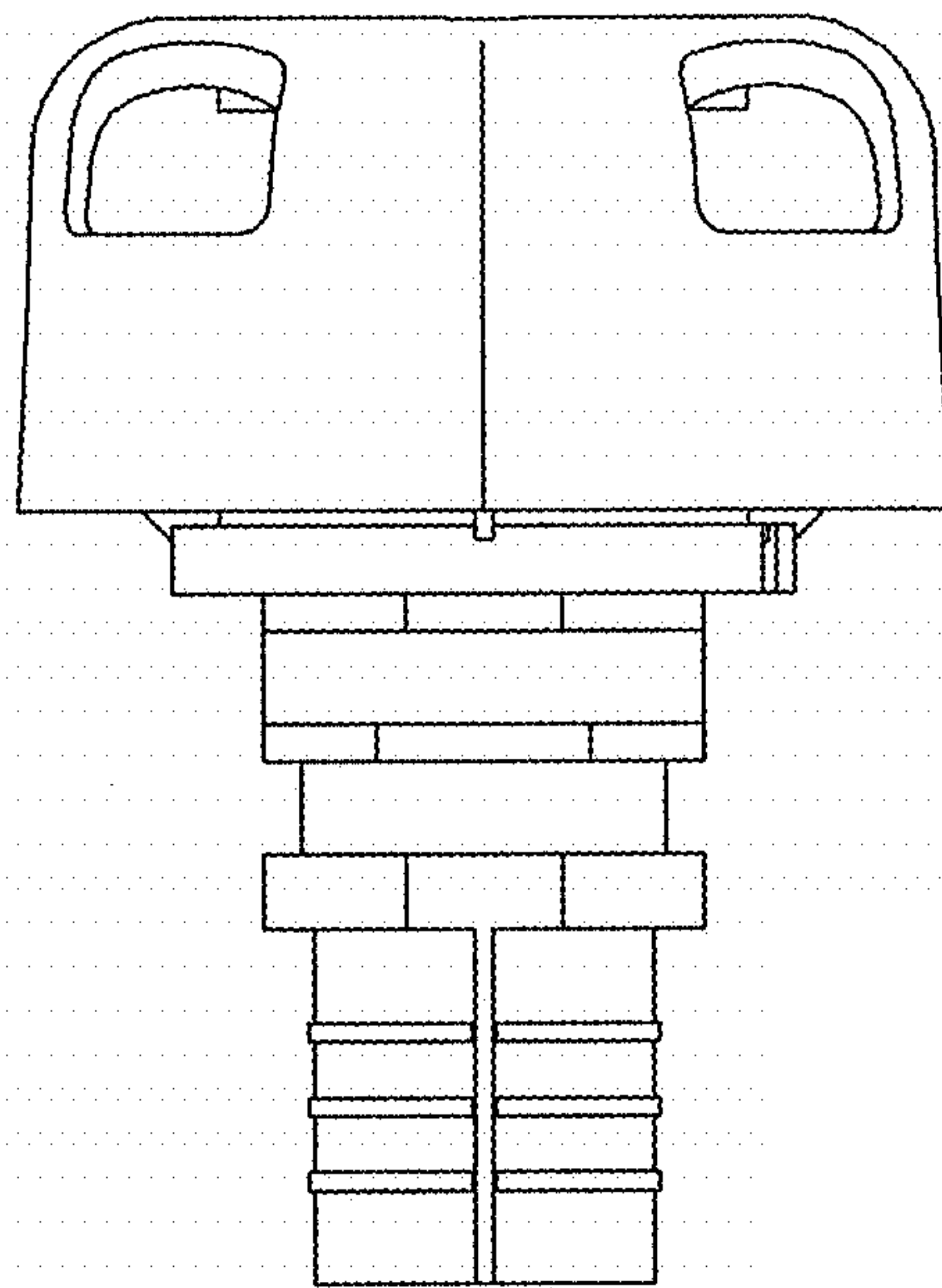


FIG. 6

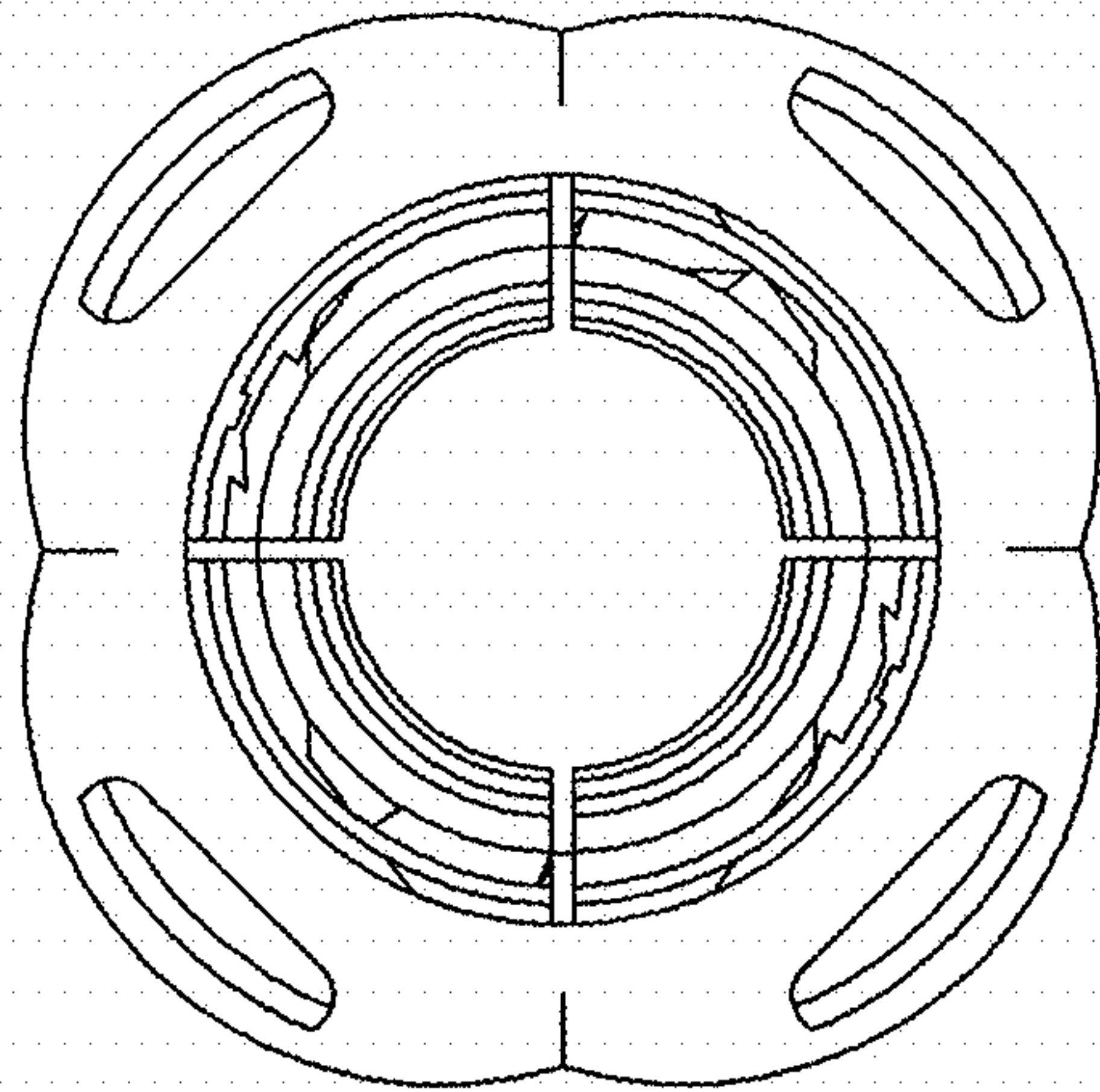


FIG. 7

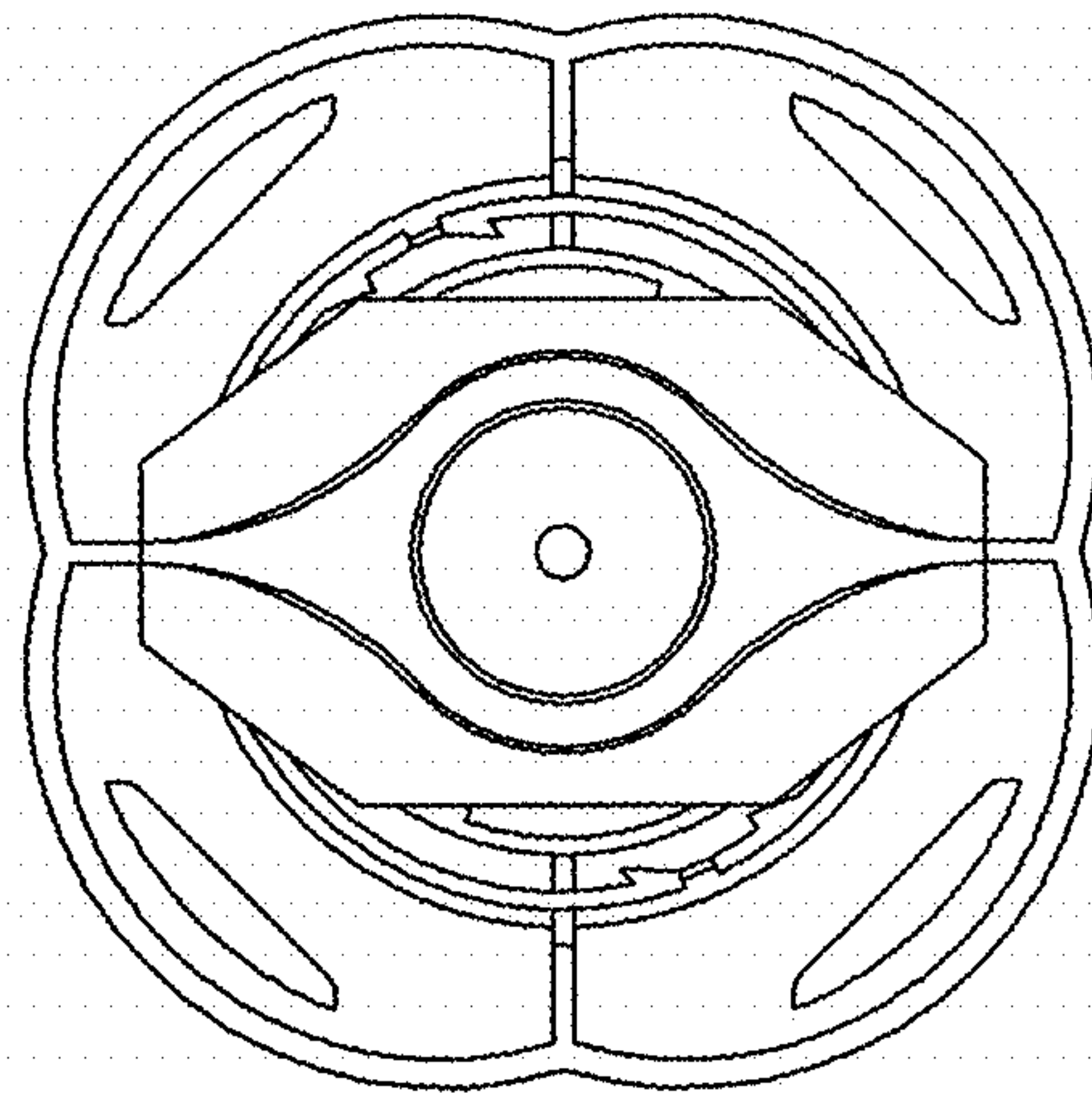


FIG. 8

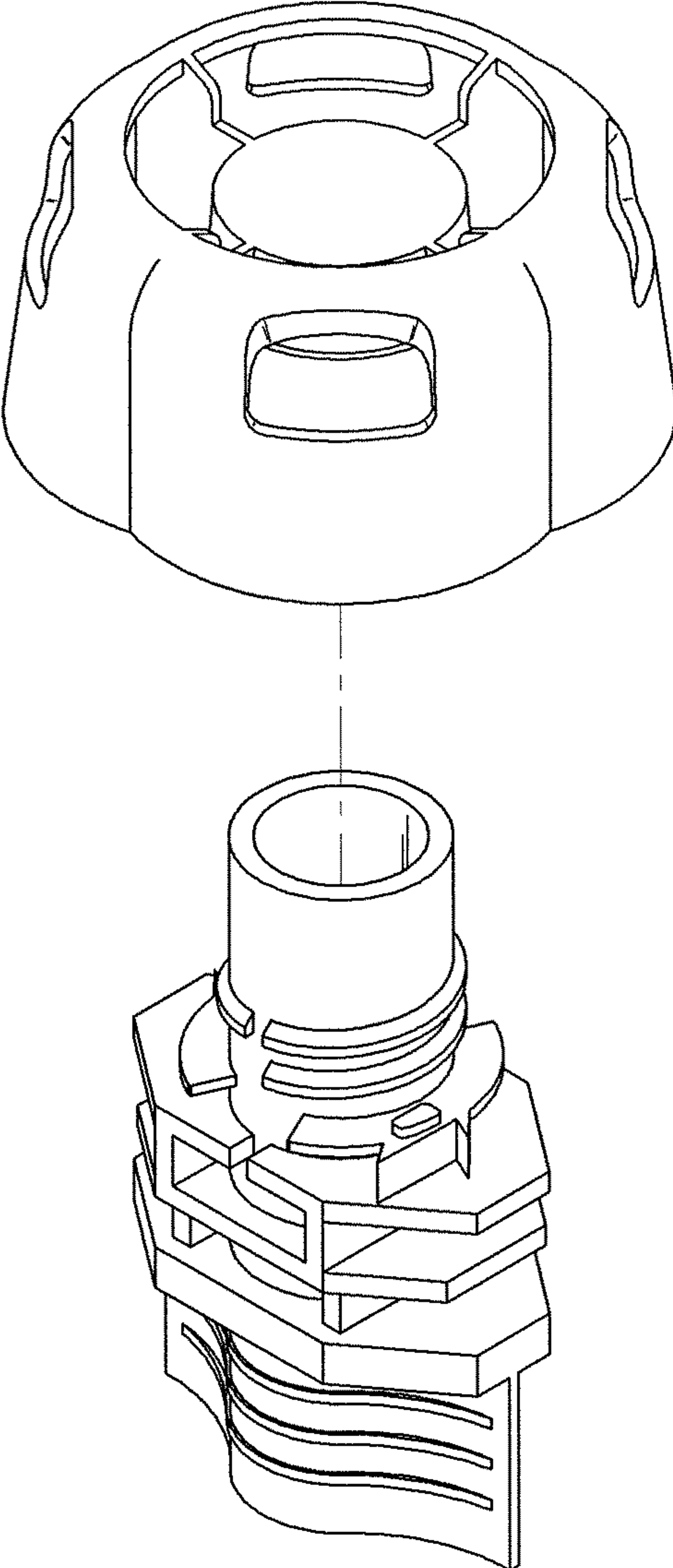


FIG. 9

