



US00D684050S

(12) **United States Design Patent**  
**Vernon et al.**

(10) **Patent No.:** **US D684,050 S**  
(45) **Date of Patent:** **\*\* Jun. 11, 2013**

(54) **FOOD CONTAINER**

(71) Applicant: **Eco-Products, Inc.**, Boulder, CO (US)

(72) Inventors: **Luke Vernon**, Boulder, CO (US); **Paul Santoski**, Boulder, CO (US); **Steve Rosse**, Boulder, CO (US)

(73) Assignee: **Eco-Products, Inc.**, Boulder, CO (US)

(\*\*) Term: **14 Years**

(21) Appl. No.: **29/434,121**

(22) Filed: **Oct. 10, 2012**

(51) **LOC (9) Cl.** ..... **09-07**

(52) **U.S. Cl.**  
USPC ..... **D9/434**

(58) **Field of Classification Search**  
USPC .... D9/430–433, 414, 418, 420–424; D3/272,  
D3/273, 302; 206/267, 269, 270, 273, 299,  
206/737, 740, 822; 229/100, 101, 101.3,  
229/106, 108–112

See application file for complete search history.

(56) **References Cited**

U.S. PATENT DOCUMENTS

1,908,251	A *	5/1933	Inman et al.	.....	229/114
2,042,796	A *	6/1936	Murray	.....	229/122.33
3,412,889	A *	11/1968	Eicholtz et al.	.....	220/788
D252,179	S *	6/1979	Cherry	.....	D7/629
D278,412	S *	4/1985	Yeung	.....	D9/420
D348,394	S *	7/1994	Dreyer	.....	D9/425
5,411,204	A *	5/1995	DeMay	.....	229/114
D422,412	S *	4/2000	Greene	.....	D3/314
D519,366	S *	4/2006	Epstein	.....	D9/431
D561,023	S *	2/2008	Jacxsens et al.	.....	D9/431

D618,415	S *	6/2010	Greseth et al.	.....	D34/1
D630,508	S *	1/2011	Hubbard et al.	.....	D9/433
D631,742	S *	2/2011	Hubbard et al.	.....	D9/433
2004/0182916	A1 *	9/2004	Roseth	.....	229/155

\* cited by examiner

*Primary Examiner* — Susan Bennett Hattan

*Assistant Examiner* — Vy Koenig

(74) *Attorney, Agent, or Firm* — Holland & Hart LLP

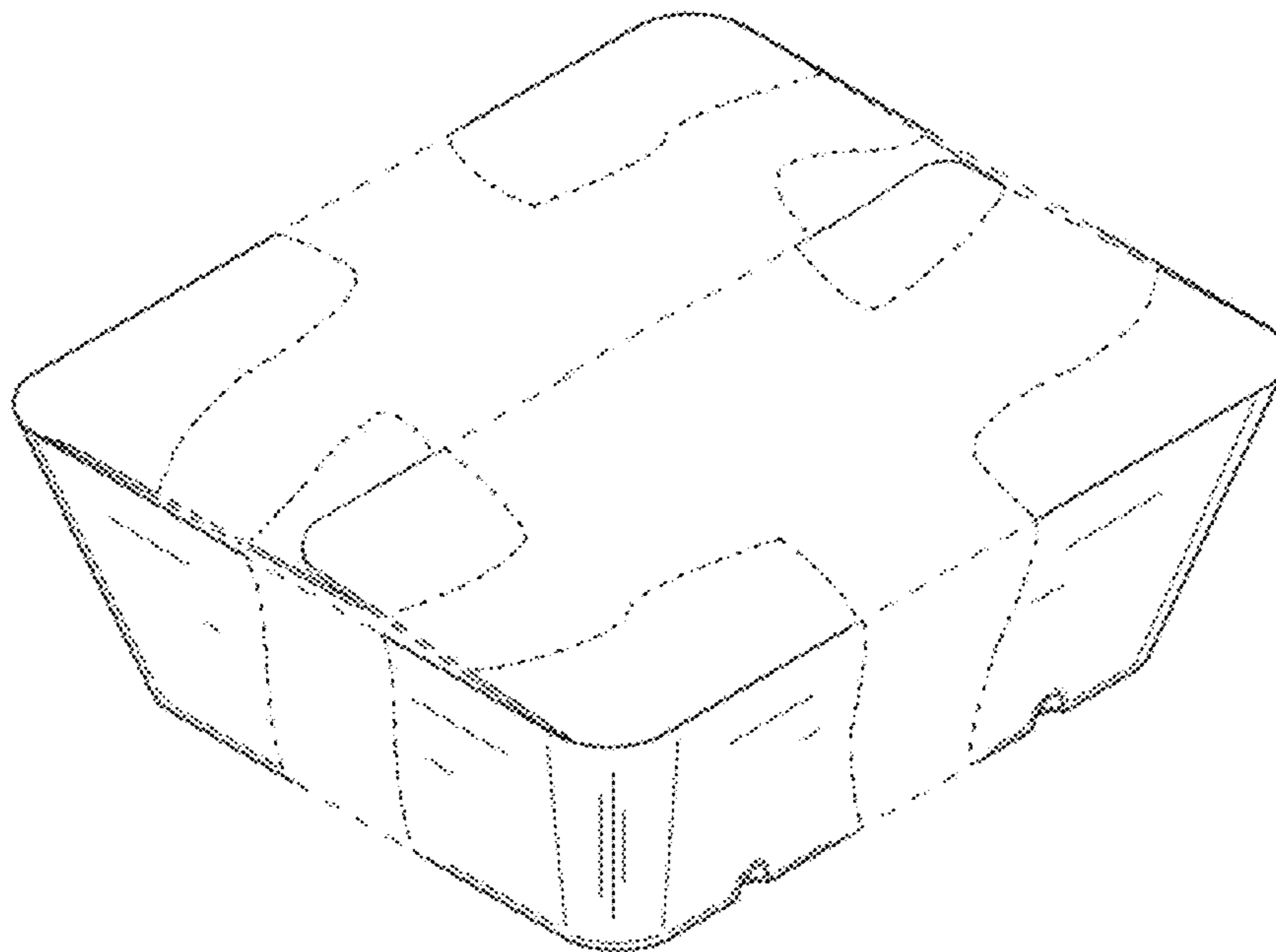
(57) **CLAIM**

The ornamental design for a food container, as shown and described.

**DESCRIPTION**

FIG. 1 is a top perspective view of the food container, showing our new design;  
 FIG. 2 is a front elevation view of the design illustrated in FIG. 1;  
 FIG. 3 is a rear elevation view of the design illustrated in FIG. 1;  
 FIG. 4 is a right side elevation view of the design illustrated in FIG. 1;  
 FIG. 5 is a left side elevation view of the design illustrated in FIG. 1;  
 FIG. 6 is a top plan view of the design illustrated in FIG. 1;  
 FIG. 7 is a bottom plan view of the design illustrated in FIG. 1; and,  
 FIG. 8 is a top perspective view of the design illustrated in FIG. 1 showing the flaps of the design in an alternate position. The uneven broken lines in FIGS. 1-8 represent the bounds of the claimed design, while all other broken lines are for illustrative purposes only. The broken lines form no part of the claimed design.

**1 Claim, 6 Drawing Sheets**



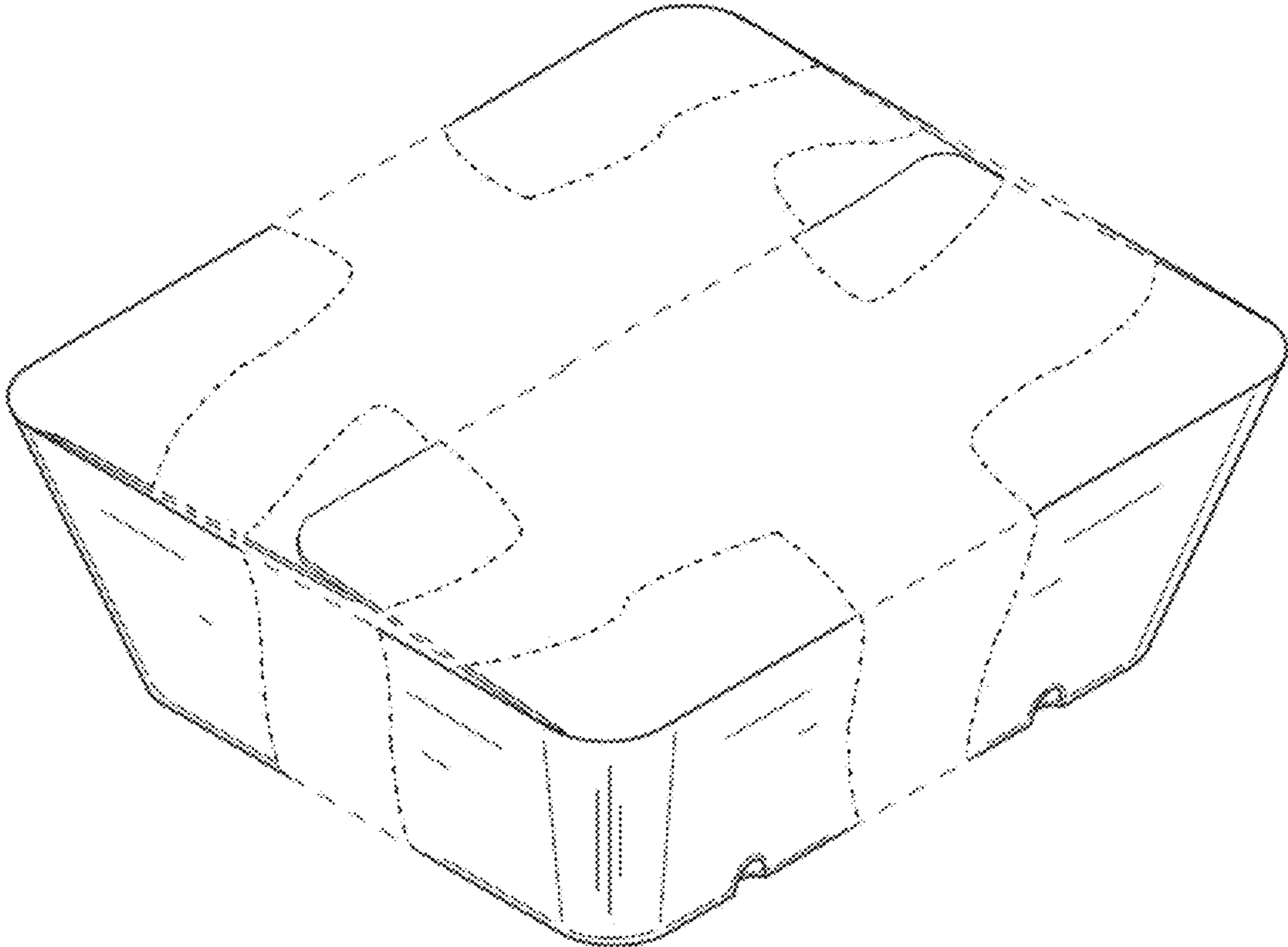


FIG. 1

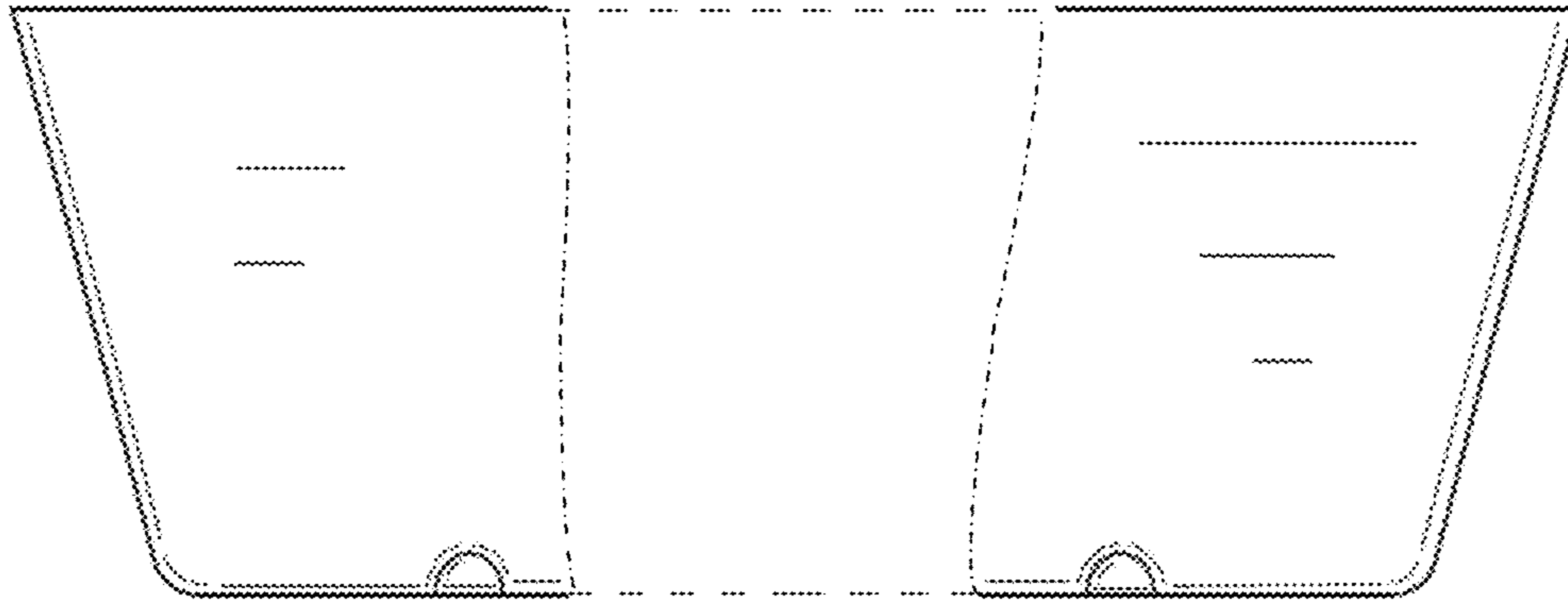


FIG. 2

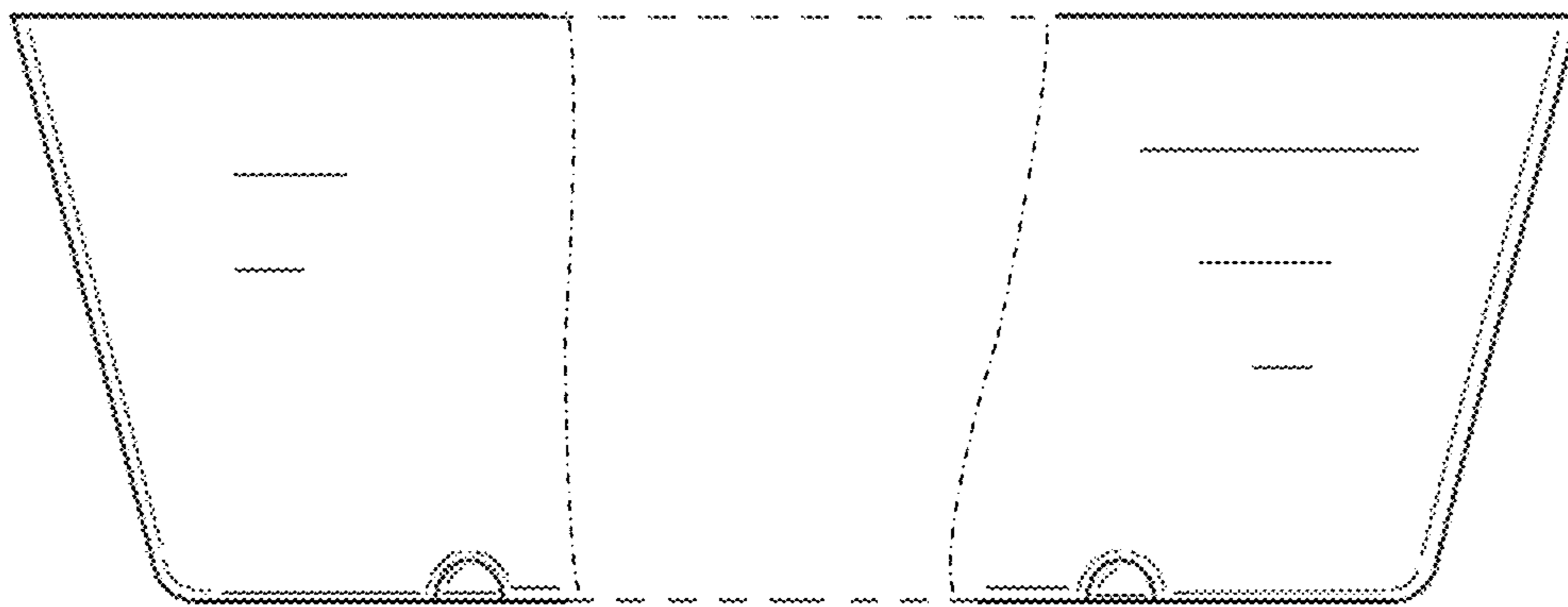


FIG. 3

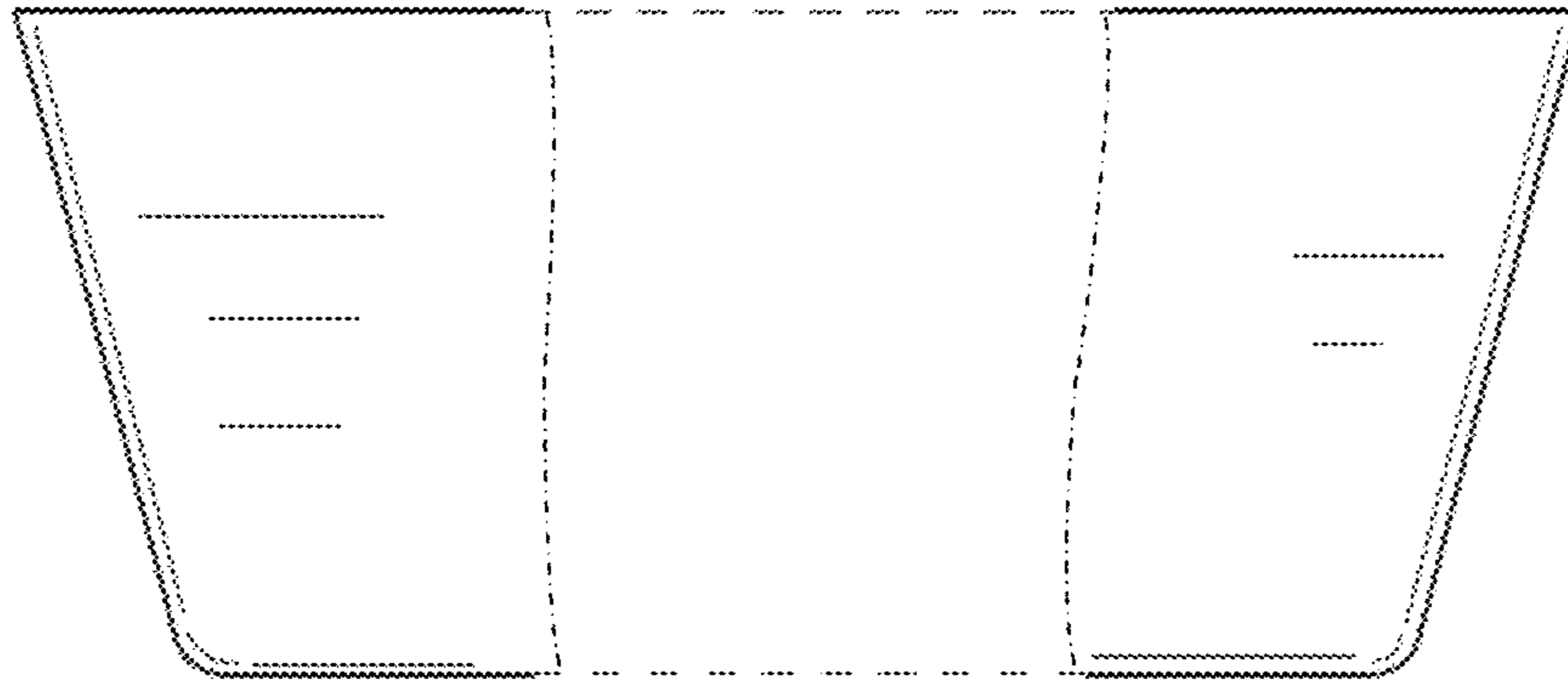


FIG. 4

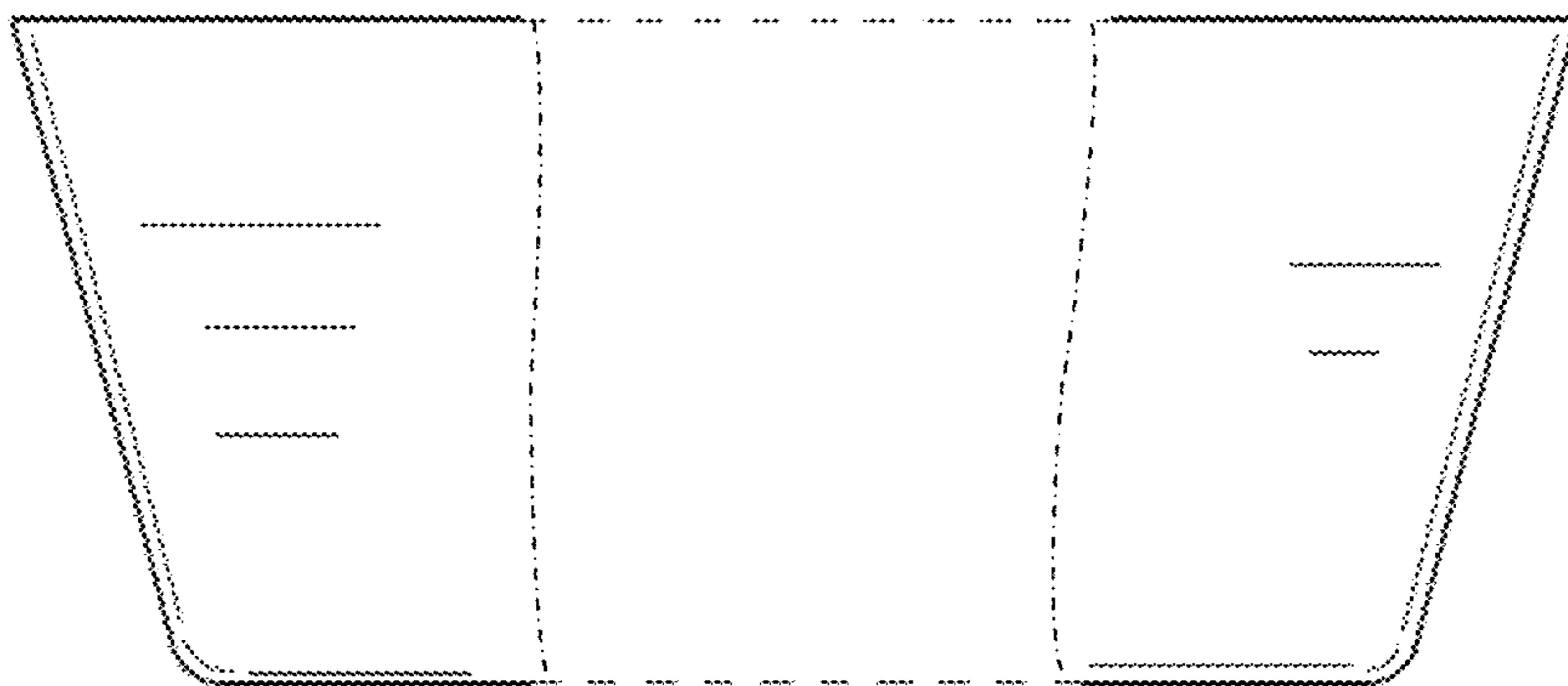


FIG. 5

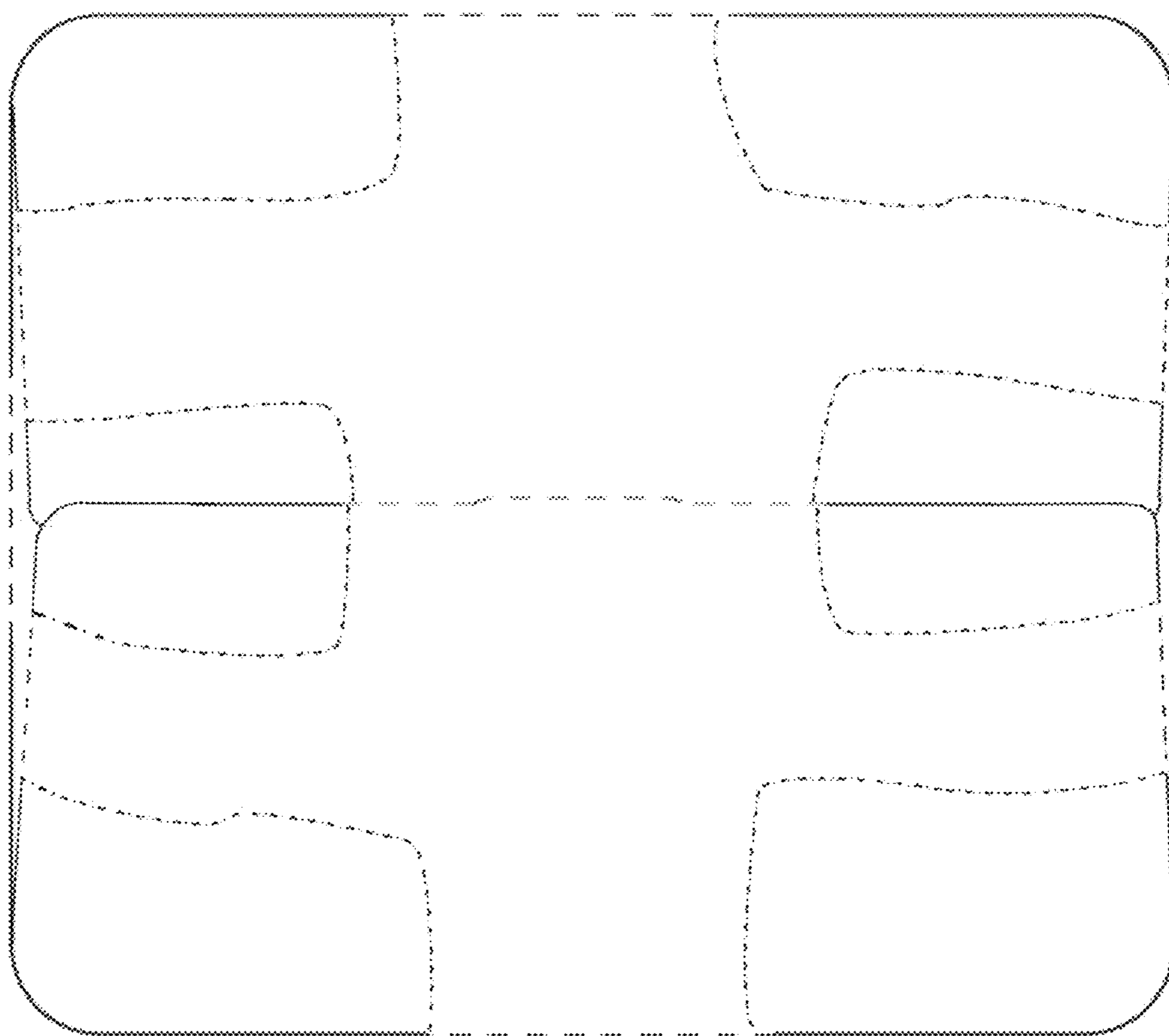


FIG. 6

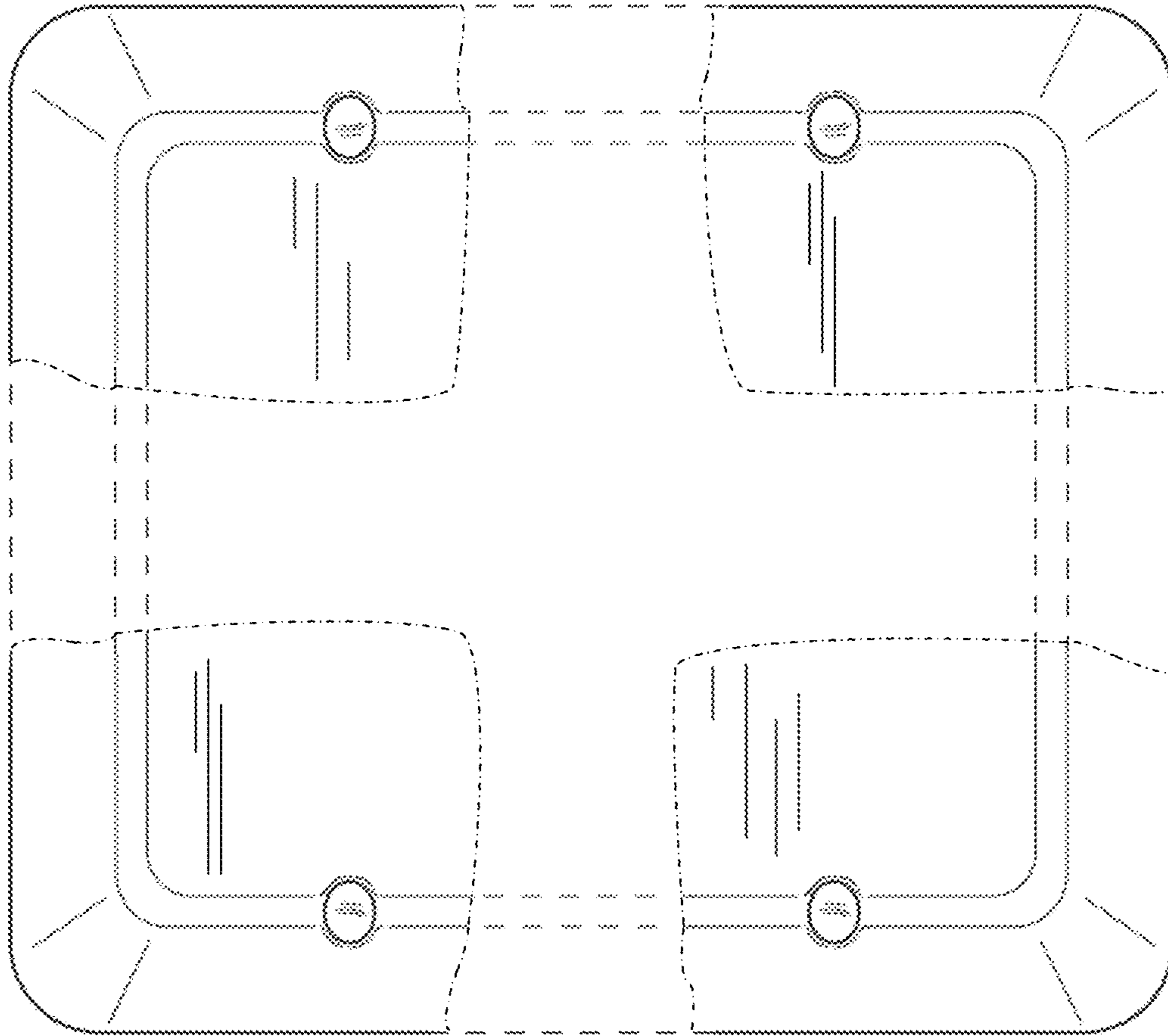


FIG. 7



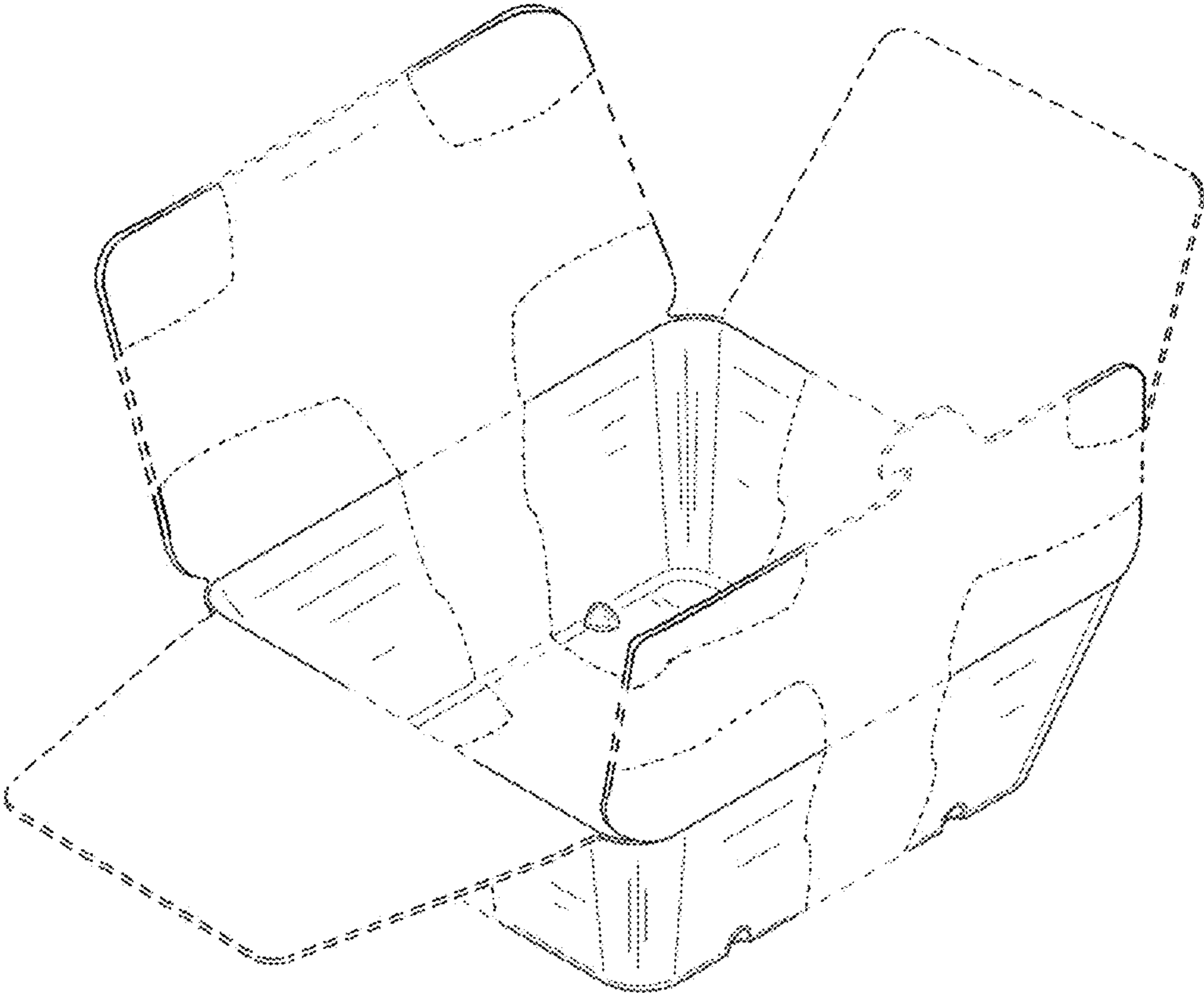


FIG. 8