



US00D684047S

(12) **United States Design Patent**
Hodge et al.

(10) **Patent No.:** **US D684,047 S**
(45) **Date of Patent:** **** Jun. 11, 2013**

(54) **MULTI-PANEL SIDEWALL CONTAINER**

(75) Inventors: **Don Hodge**, Clare, MI (US); **Don Tomalia**, Midland, MI (US); **Jason Osentoski**, Gladwin, MI (US); **Joe Trombley**, Auburn, MI (US); **Dan Maciag**, Essexville, MI (US); **Pete Brushaber**, Beaverton, MI (US); **Mike Liming**, New Vienna, OH (US)

(73) Assignee: **Huhtamaki, Inc.**, De Soto, KS (US)

(**) Term: **14 Years**

(21) Appl. No.: **29/404,656**

(22) Filed: **Oct. 24, 2011**

(51) **LOC (9) Cl.** **09-03**

(52) **U.S. Cl.**
USPC **D9/429**

(58) **Field of Classification Search**
USPC D9/414, 418, 424, 425, 428, 429, D9/500; D7/619, 629; 229/400-406, 932, 229/906.1; 220/656-659, 669-675, 912, 220/4.21-4.27; 206/553, 557, 541, 775, 776
See application file for complete search history.

(56) **References Cited**

U.S. PATENT DOCUMENTS

3,091,360	A	5/1963	Edwards	
D196,271	S	9/1963	Edwards	
D197,313	S	1/1964	Wanderer	
3,437,253	A	4/1969	Davis et al.	
D271,083	S *	10/1983	Tyler	D9/429
D321,652	S *	11/1991	Palisin, Jr.	D9/429
D510,679	S *	10/2005	Smith et al.	D7/396.2
D515,358	S	2/2006	Orr et al.	
7,546,932	B2	6/2009	Smith et al.	

D608,591	S	1/2010	Hillebrenner et al.	
D618,962	S *	7/2010	Liming	D7/396.2
D627,636	S *	11/2010	Fang	D9/429
8,025,210	B2 *	9/2011	Johnson et al.	229/403
2006/0076395	A1	4/2006	Hayes et al.	
2006/0226162	A1	10/2006	Hayes et al.	
2009/0020597	A1 *	1/2009	D'Amato	229/403
2010/0072268	A1 *	3/2010	Johnson et al.	229/403
2012/0012647	A1 *	1/2012	Almabekov	229/400
2012/0318810	A1 *	12/2012	Hodge et al.	220/671

FOREIGN PATENT DOCUMENTS

CA	2581275	A1	4/2006
CA	2597017	A1	9/2006
DE	1216139		5/1966
GB	1096451		12/1967
GB	1251595		10/1971
WO	2006043971	A1	4/2006
WO	2006093952	A1	9/2006

* cited by examiner

Primary Examiner — Thomas Johannes

(74) *Attorney, Agent, or Firm* — Husch Blackwell LLP

(57) **CLAIM**

The ornamental design for a multi-panel sidewall container, as shown and described.

DESCRIPTION

FIG. 1 is a side perspective view of the design of a multi-panel sidewall container, showing our new design;

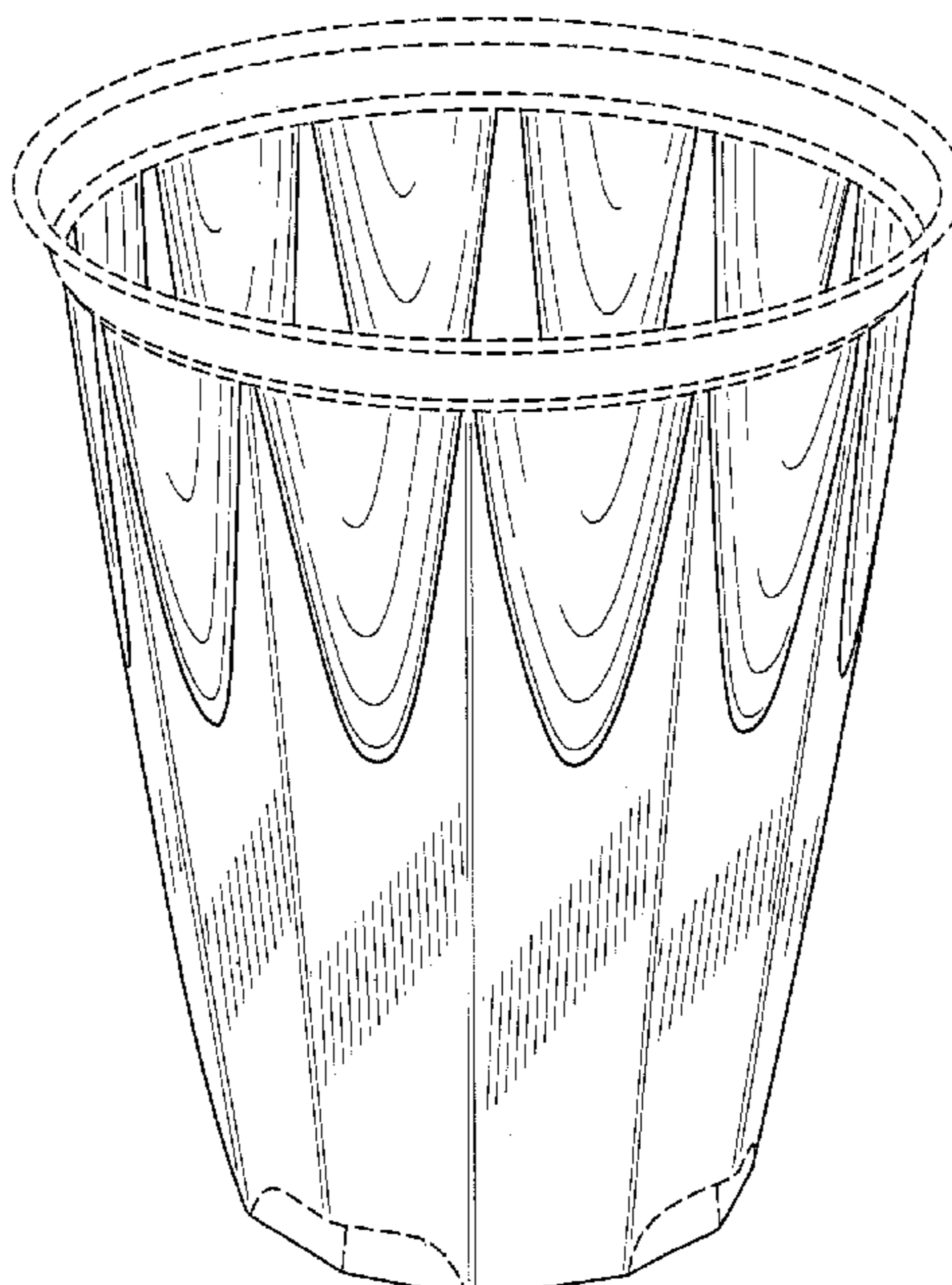
FIG. 2 is a side elevational view thereof;

FIG. 3 is a bottom plan view thereof; and,

FIG. 4 is a top plan view thereof.

The broken line portion of the figure drawings is included to show unclaimed subject matter only and forms no part of the claimed design.

1 Claim, 3 Drawing Sheets



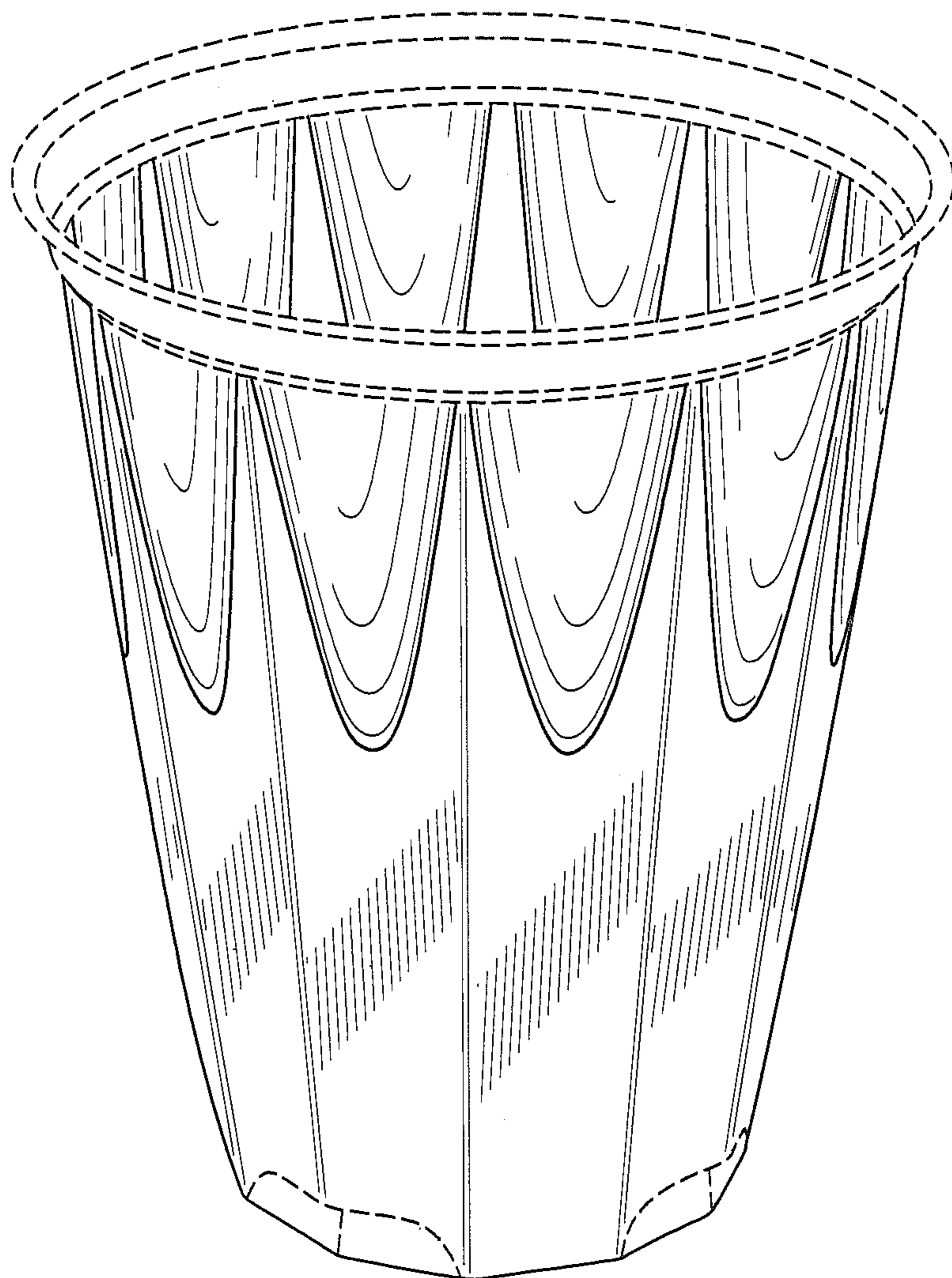


FIG. 1

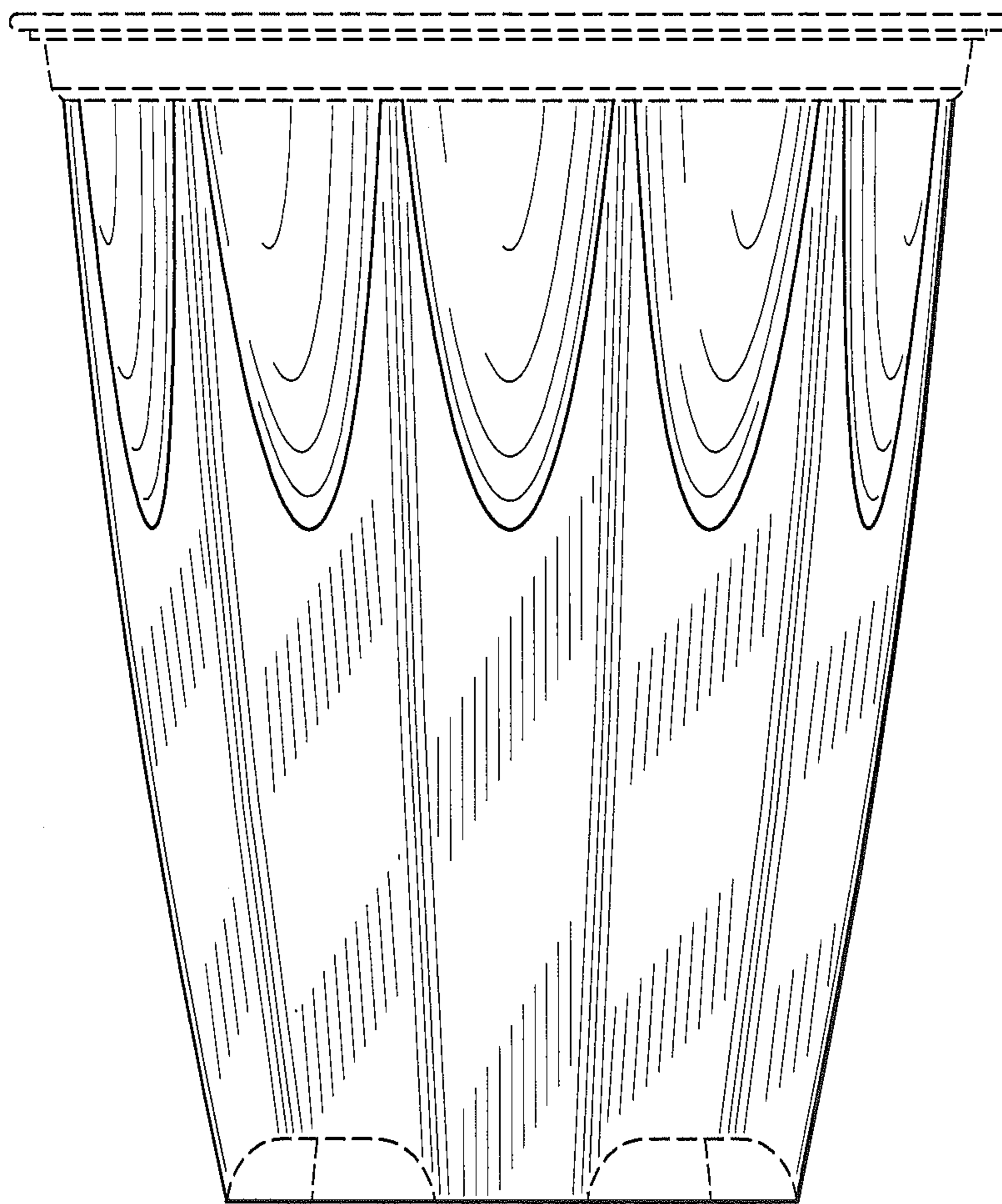


FIG. 2

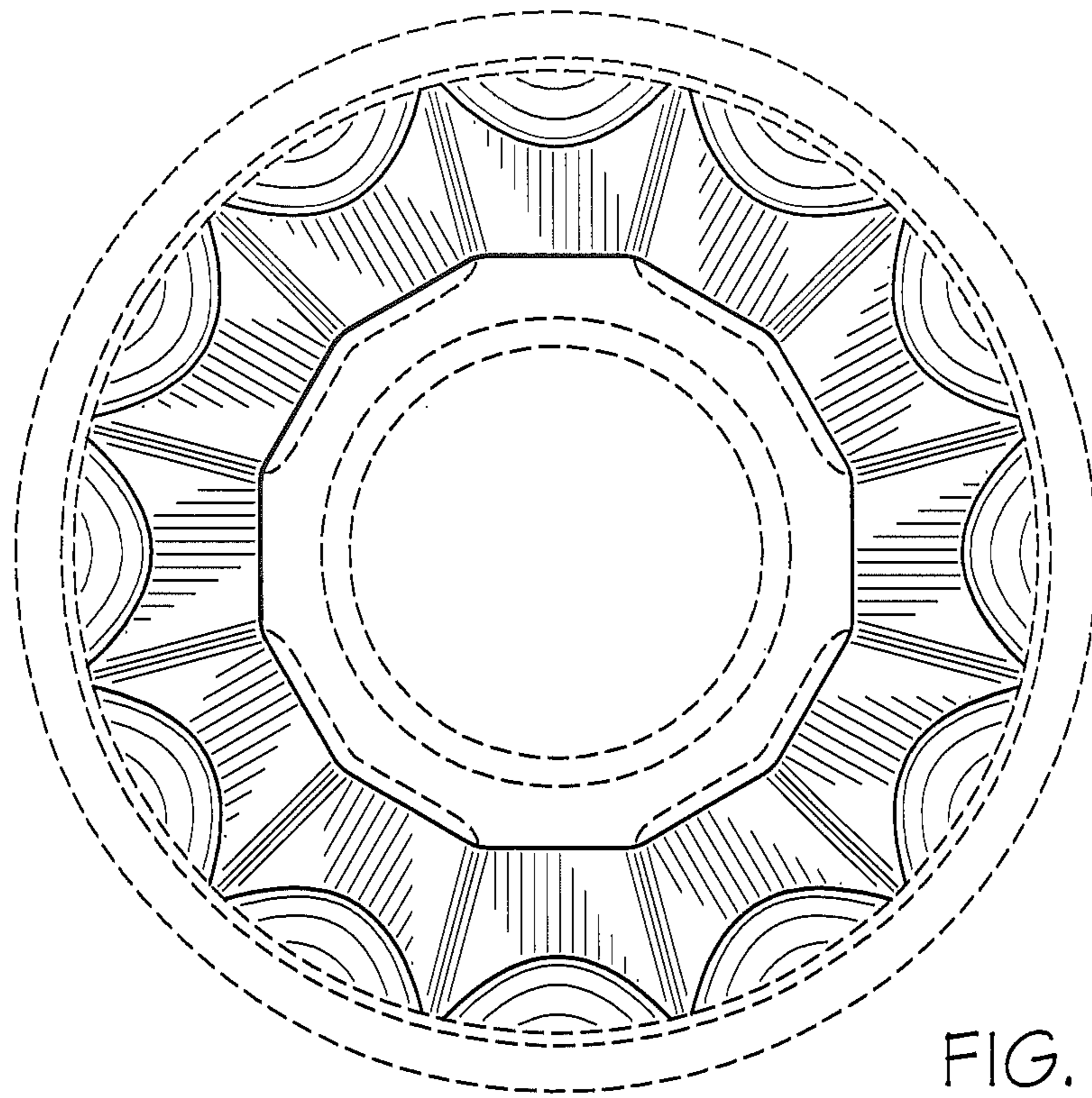


FIG. 3

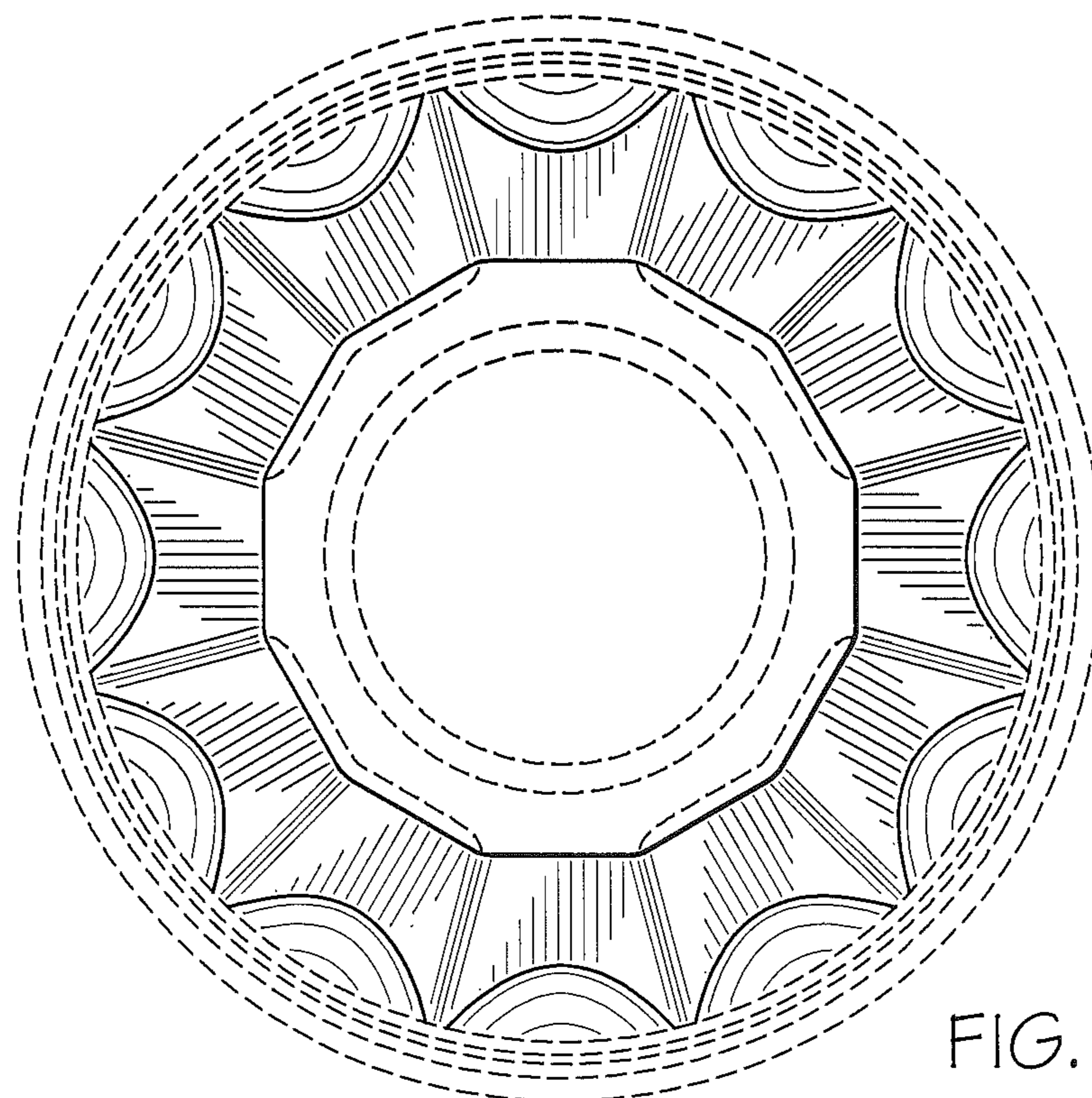


FIG. 4