



US00D684046S

(12) **United States Design Patent**
Meyer et al.

(10) **Patent No.:** **US D684,046 S**

(45) **Date of Patent:** **** Jun. 11, 2013**

(54) **PACKAGE**

(75) Inventors: **Marc R. Meyer**, Grand Rapids, MI (US); **Gordon L. Beach**, Muskegon, MI (US); **Matthew D. Hansen**, Rockford, MI (US); **David A. Korhorn**, Rockford, MI (US)

(73) Assignee: **Display Pack, Inc.**, Grand Rapids, MI (US)

(**) Term: **14 Years**

(21) Appl. No.: **29/429,497**

(22) Filed: **Aug. 13, 2012**

Related U.S. Application Data

(63) Continuation-in-part of application No. 13/442,910, filed on Apr. 10, 2012.

(51) **LOC (9) Cl.** **09-03**

(52) **U.S. Cl.**
USPC **D9/426; D9/425**

(58) **Field of Classification Search**
USPC ... D9/420-428, 431-432, 721; 206/518-519; D7/354, 359, 391-392.1, 392, 396.2, 500-505, D7/510-511, 538-545, 602, 629; 229/110, 229/406-407, 902-906

See application file for complete search history.

(56) **References Cited**

U.S. PATENT DOCUMENTS

| | | | | |
|-----------|------|---------|----------------|---------|
| 3,424,342 | A * | 1/1969 | Scopp et al. | 220/793 |
| D448,991 | S * | 10/2001 | Zettle et al. | D9/425 |
| D475,620 | S | 6/2003 | Chen et al. | |
| 6,700,106 | B2 * | 3/2004 | Cochran et al. | 219/725 |
| D527,956 | S | 9/2006 | Doliwa | |
| D532,294 | S * | 11/2006 | Fager et al. | D9/435 |
| D589,342 | S | 3/2009 | Maslowski | |
| D634,616 | S | 3/2011 | Hansen et al. | |
| D664,842 | S | 8/2012 | Meyer et al. | |

| | | | | |
|--------------|------|--------|---------------|---------|
| 2004/0007583 | A1 * | 1/2004 | Lin | 220/835 |
| 2004/0129715 | A1 | 7/2004 | Bogdanovich | |
| 2008/0041850 | A1 | 2/2008 | Tucker et al. | |
| 2010/0181323 | A1 * | 7/2010 | Thaler et al. | 220/574 |

* cited by examiner

Primary Examiner — Thomas Johannes

(74) *Attorney, Agent, or Firm* — Warner Norcross & Judd LLP

(57) **CLAIM**

The ornamental design for a package, as shown and described.

DESCRIPTION

FIG. 1 is a top, right, front perspective view of a first embodiment of a package showing our new design;

FIG. 2 is a front view thereof;

FIG. 3 is a rear view thereof;

FIG. 4 is a right side view thereof;

FIG. 5 is a left view thereof;

FIG. 6 is a top view thereof;

FIG. 7 is a bottom view thereof;

FIG. 8 is an exploded top, right, front perspective view thereof;

FIG. 9 is a top, right, front perspective view of a second embodiment of a package showing our new design;

FIG. 10 is a front perspective view thereof;

FIG. 11 is a rear view thereof;

FIG. 12 is a right view thereof;

FIG. 13 is a left side view thereof;

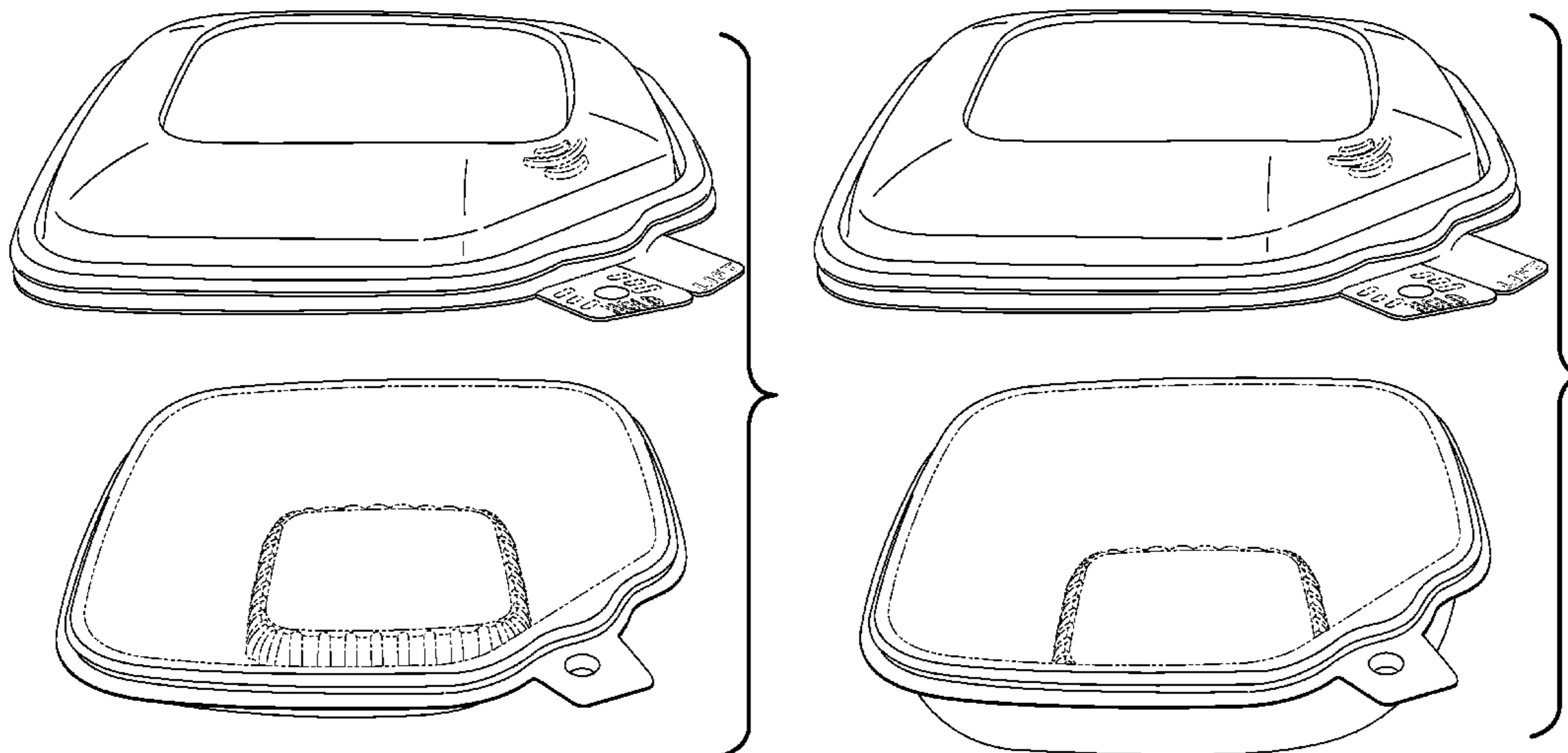
FIG. 14 is a top view thereof;

FIG. 15 is a bottom view thereof; and,

FIG. 16 is an exploded top, right, front perspective view thereof.

The broken line portion of the figure drawings is included to show unclaimed subject matter only and forms no part of the claimed design; and, the dot-dash broken line shown on the inside rim of the lower package in FIGS. 8 and 16 defines the boundary of the claimed design.

1 Claim, 8 Drawing Sheets



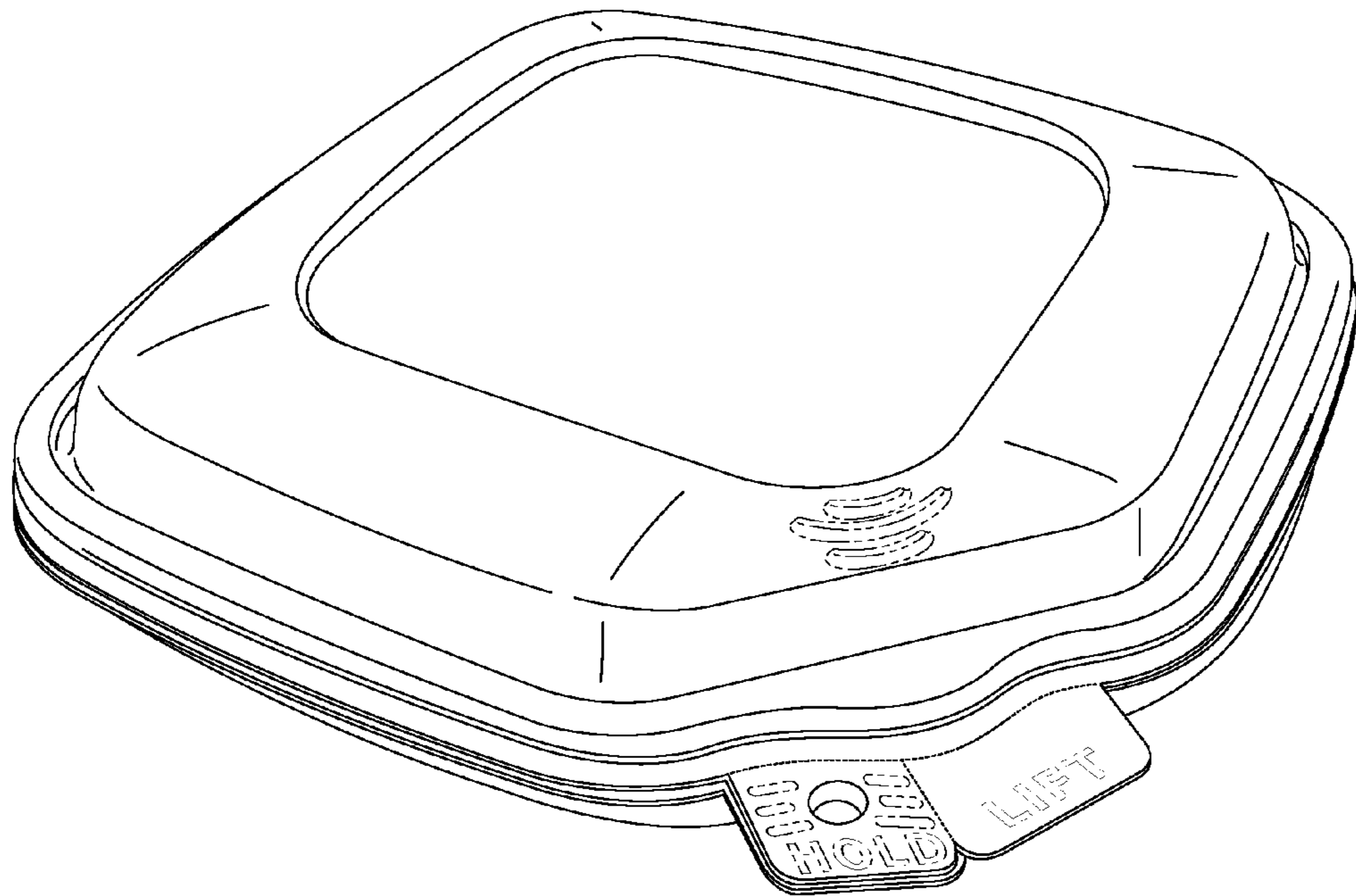


Fig. 1

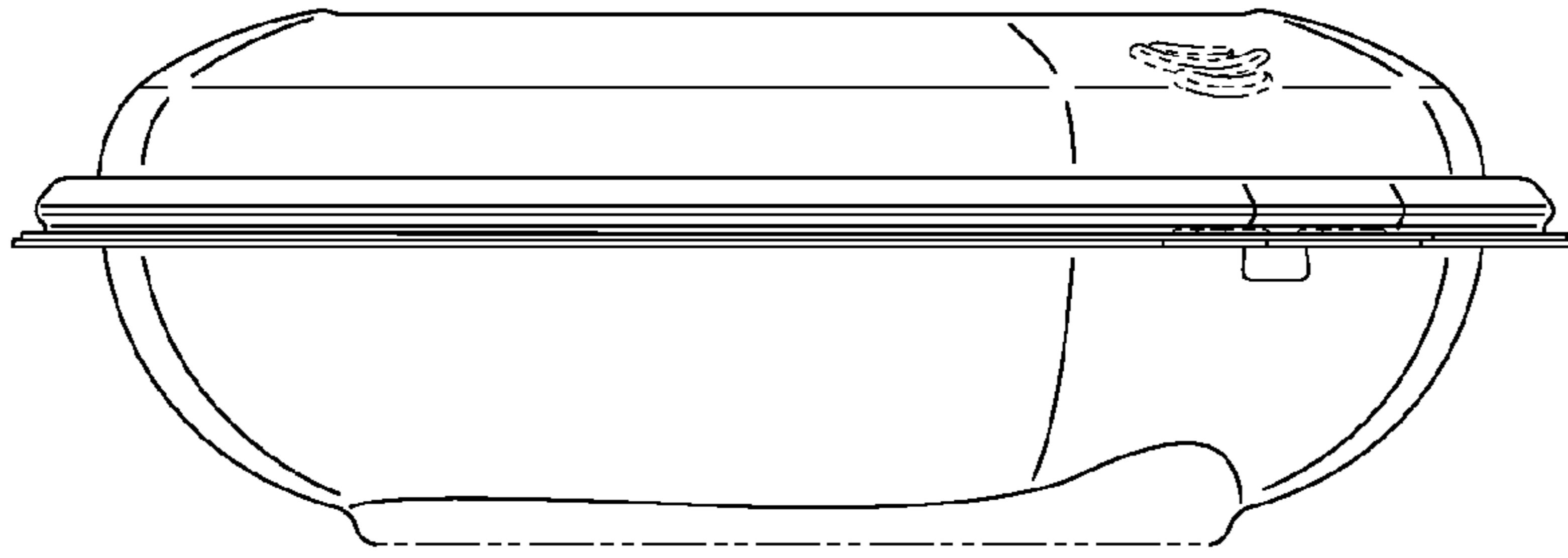


Fig. 2

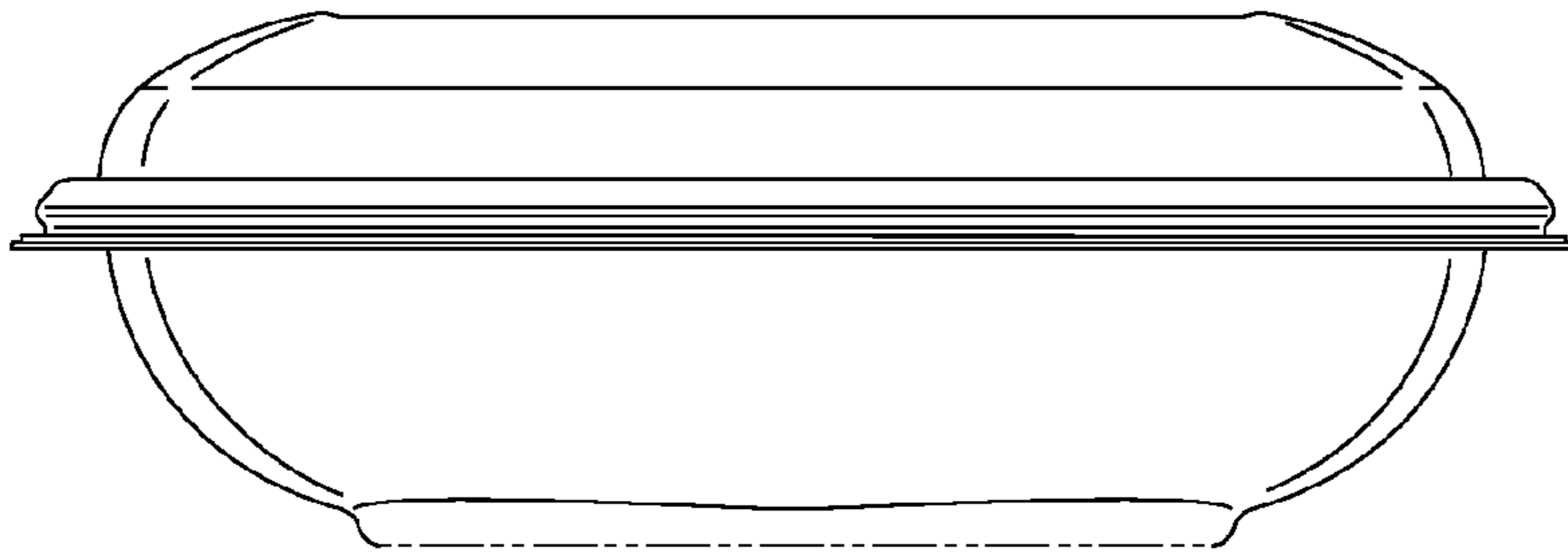


Fig. 3

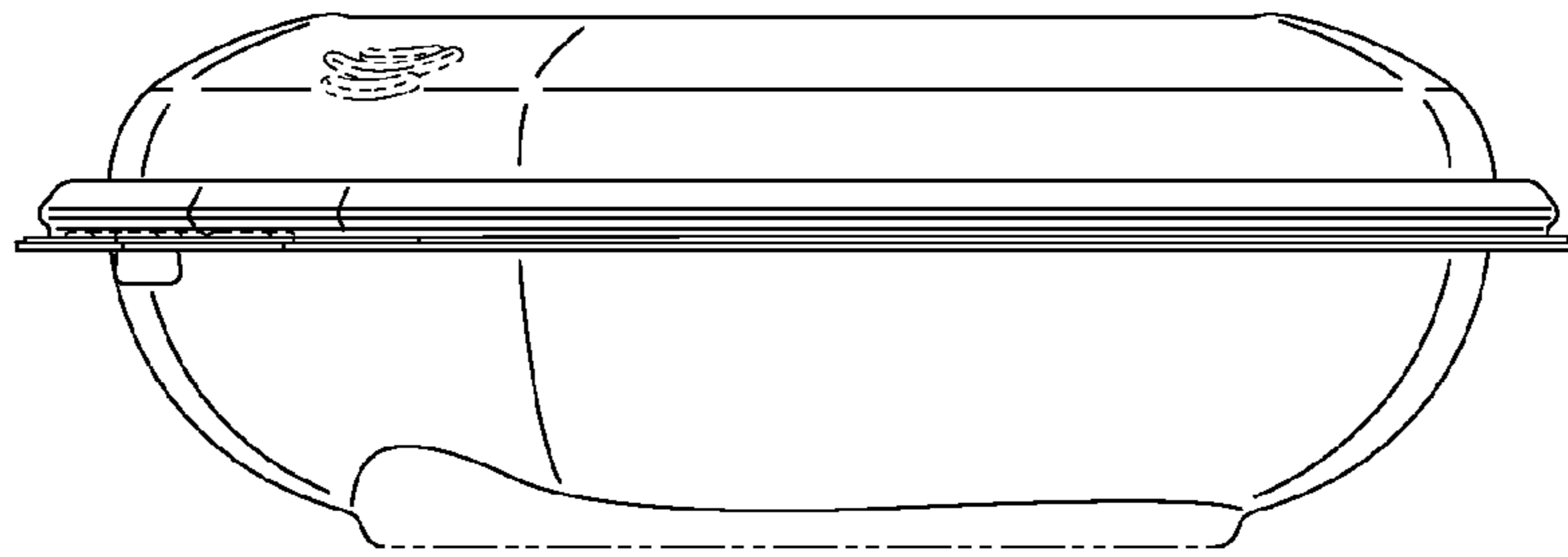


Fig. 4

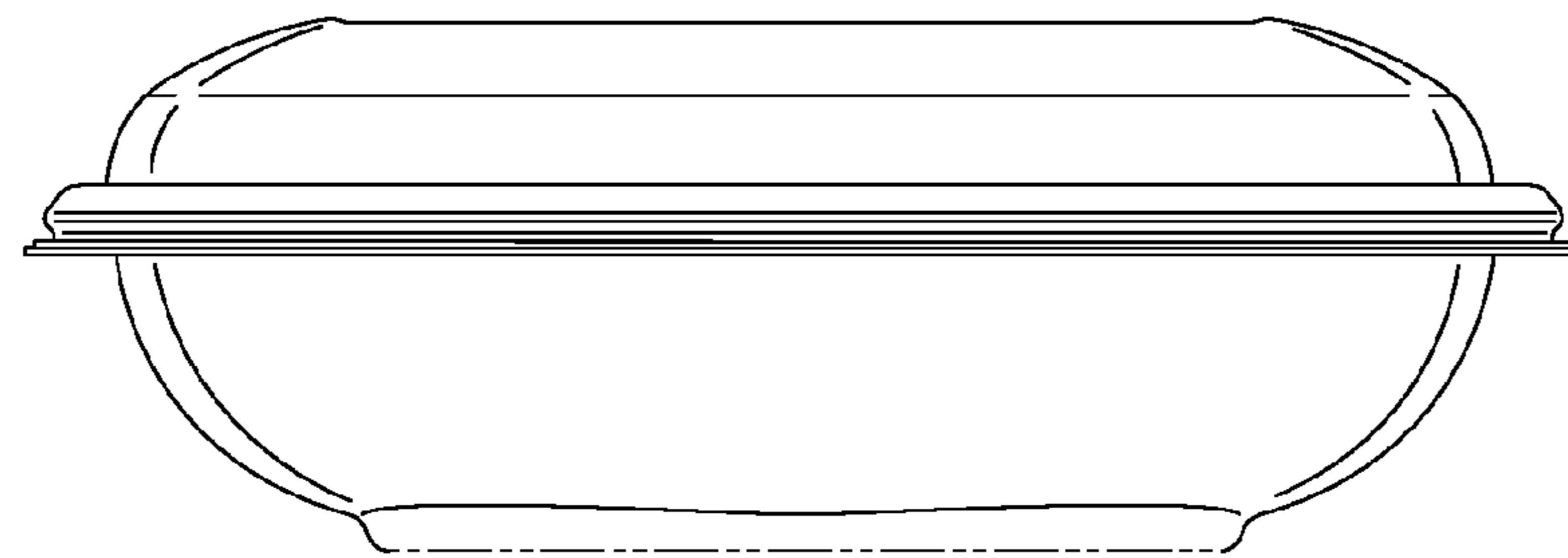


Fig. 5

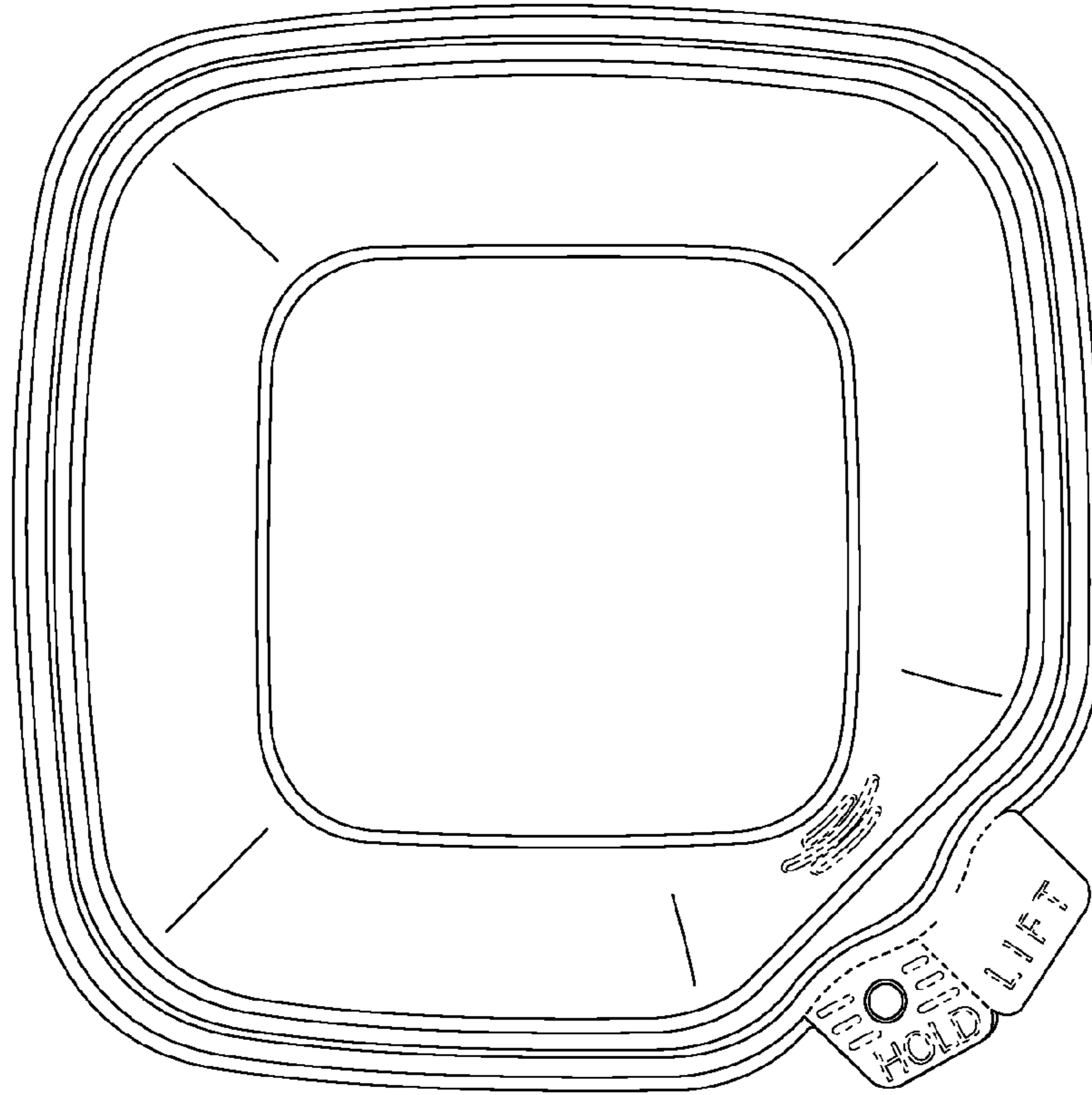


Fig. 6

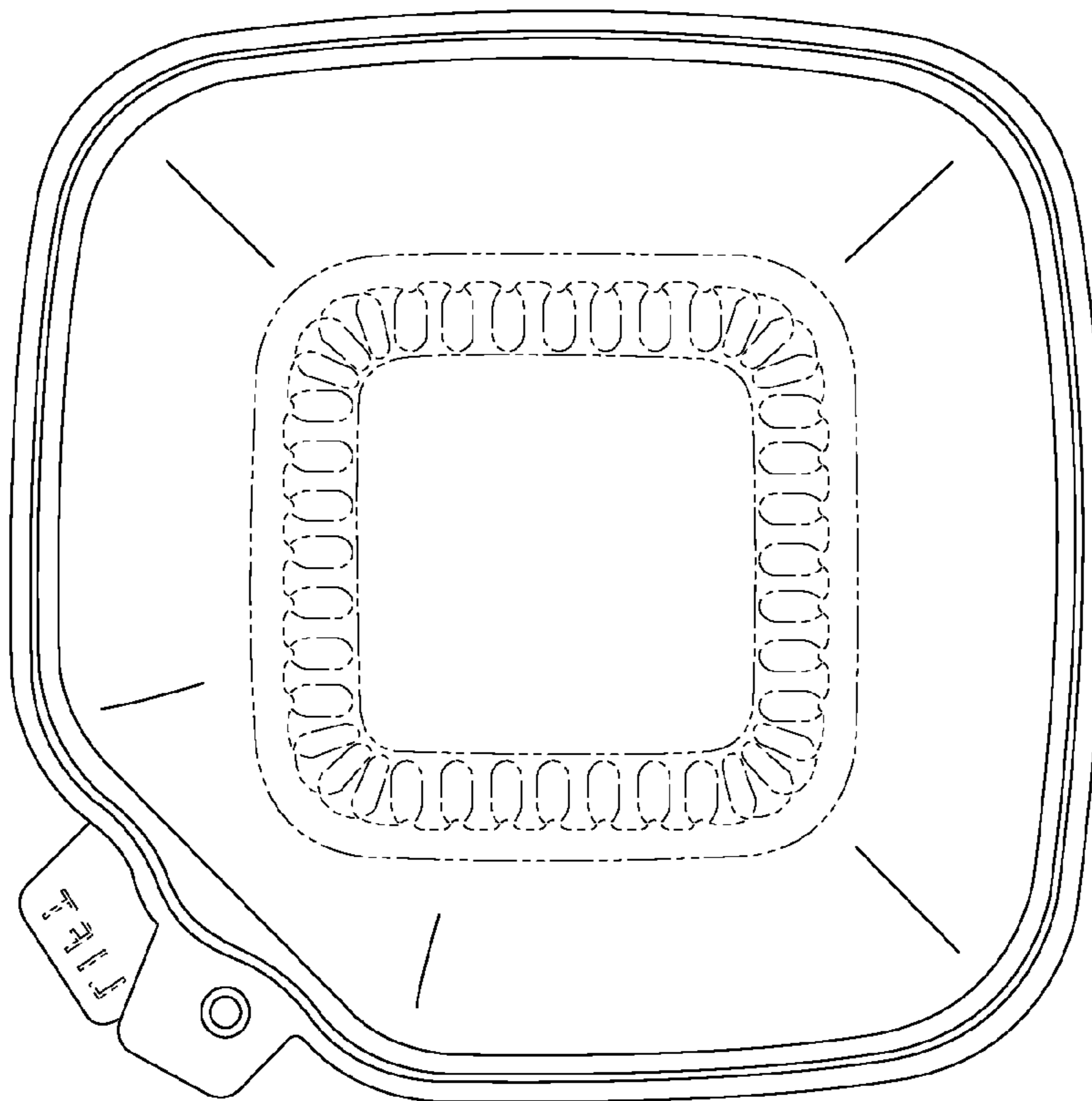


Fig. 7

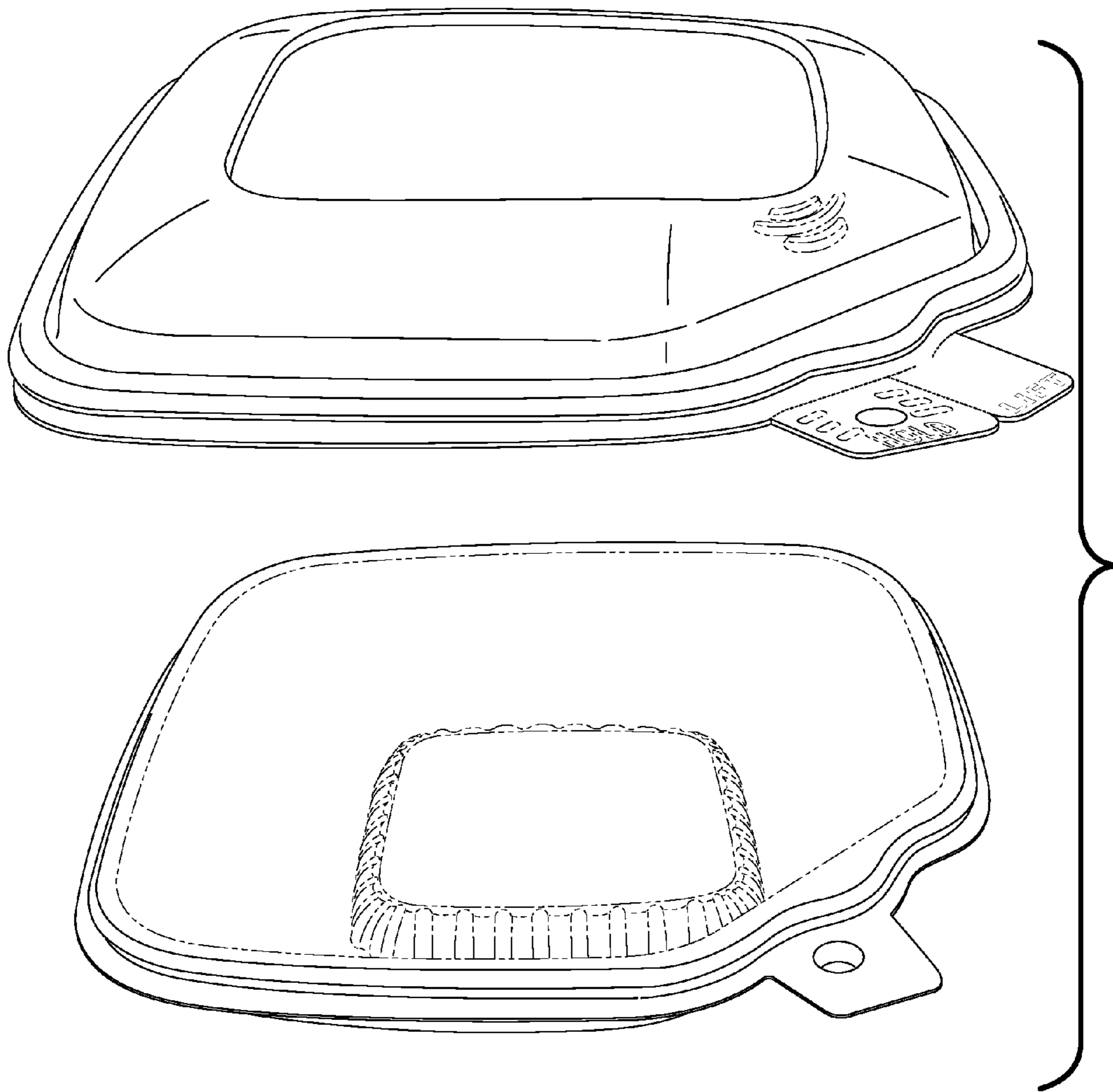


Fig. 8

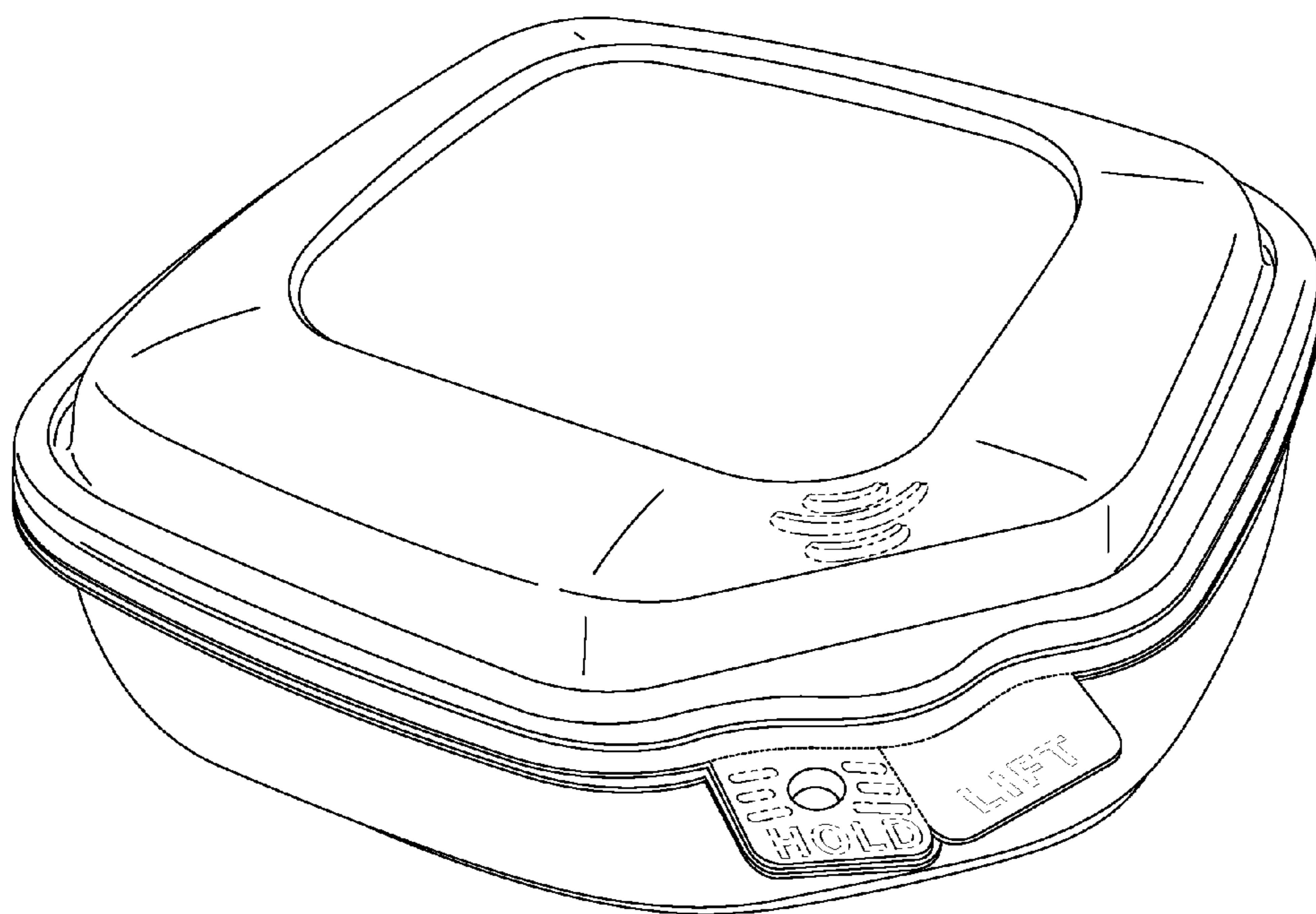


Fig. 9

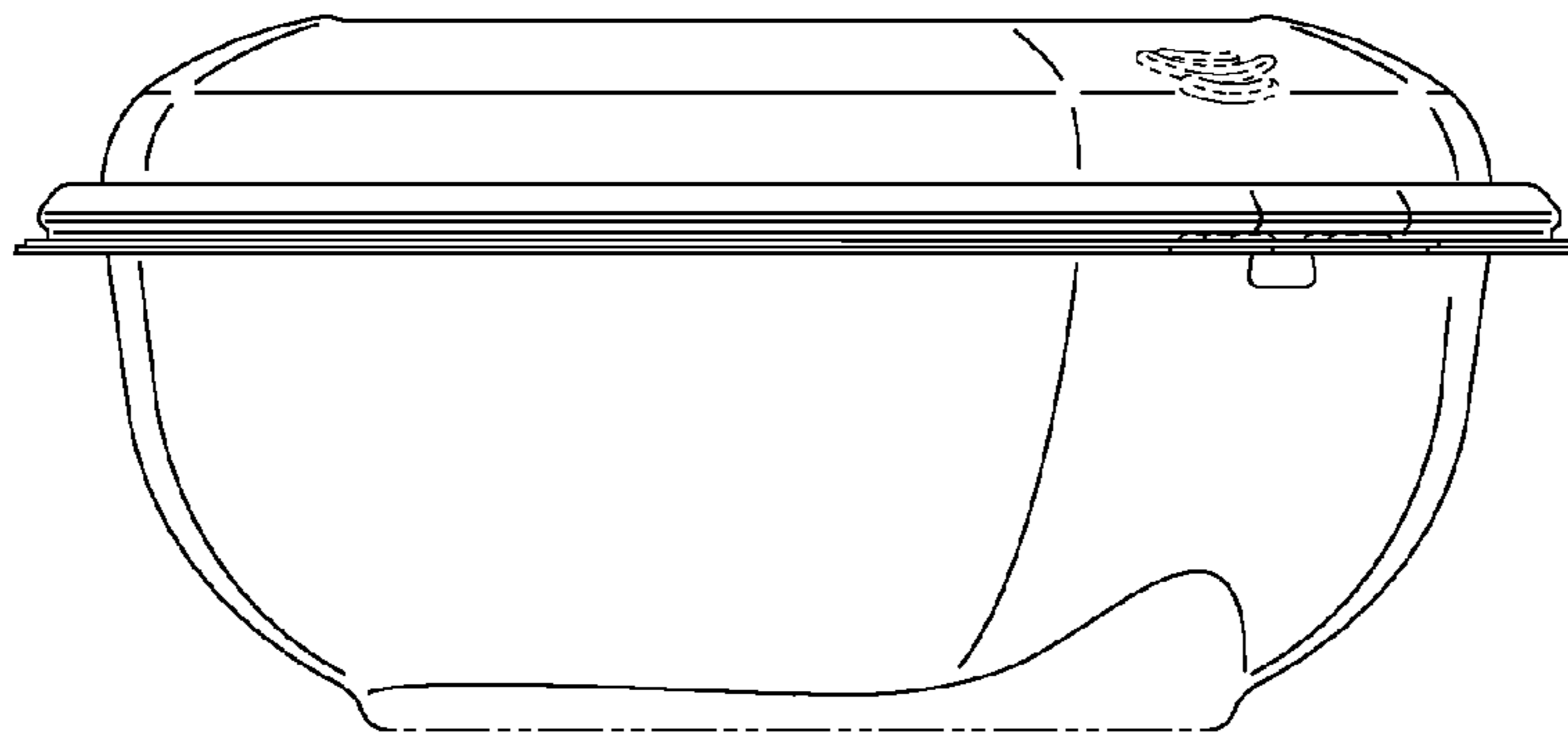


Fig. 10

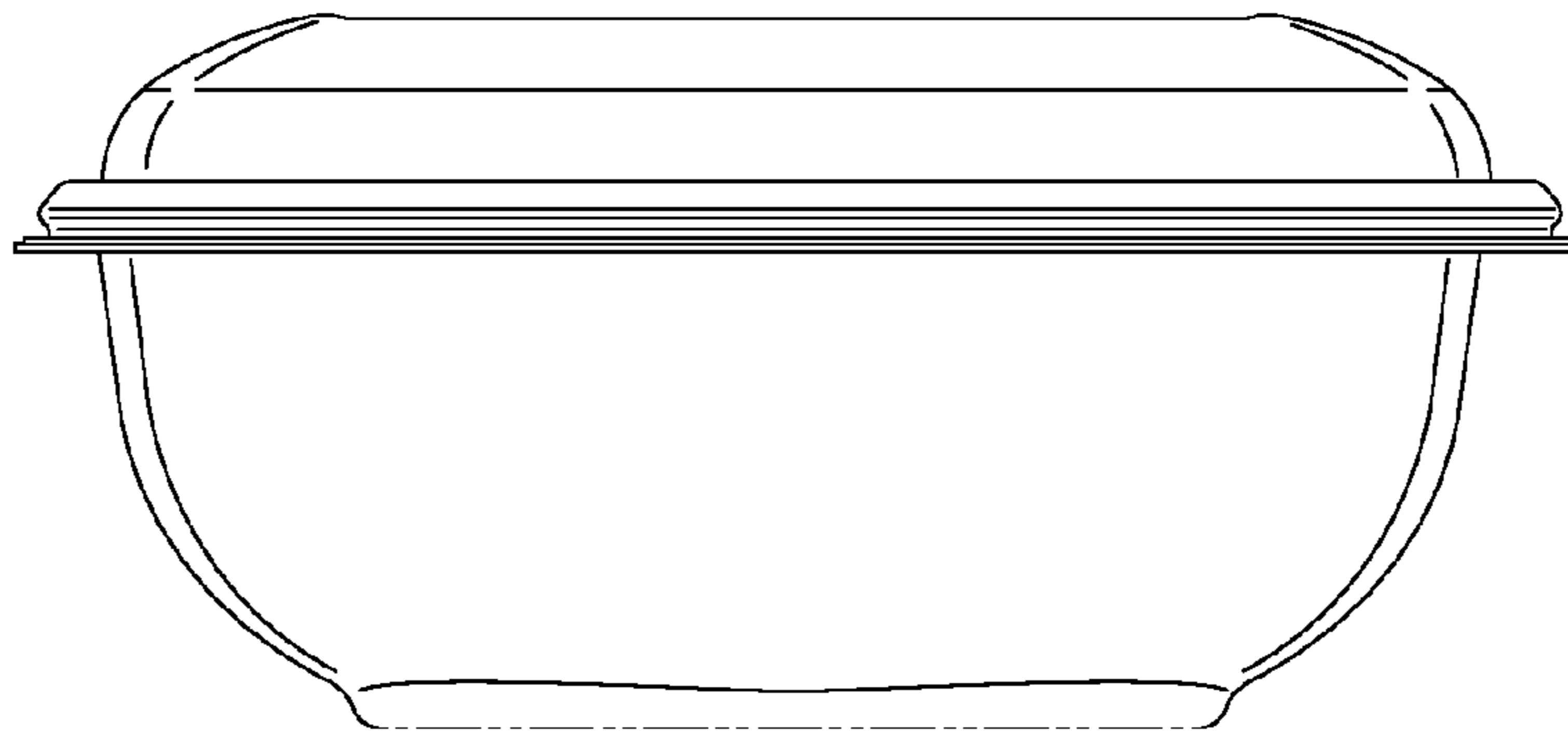


Fig. 11

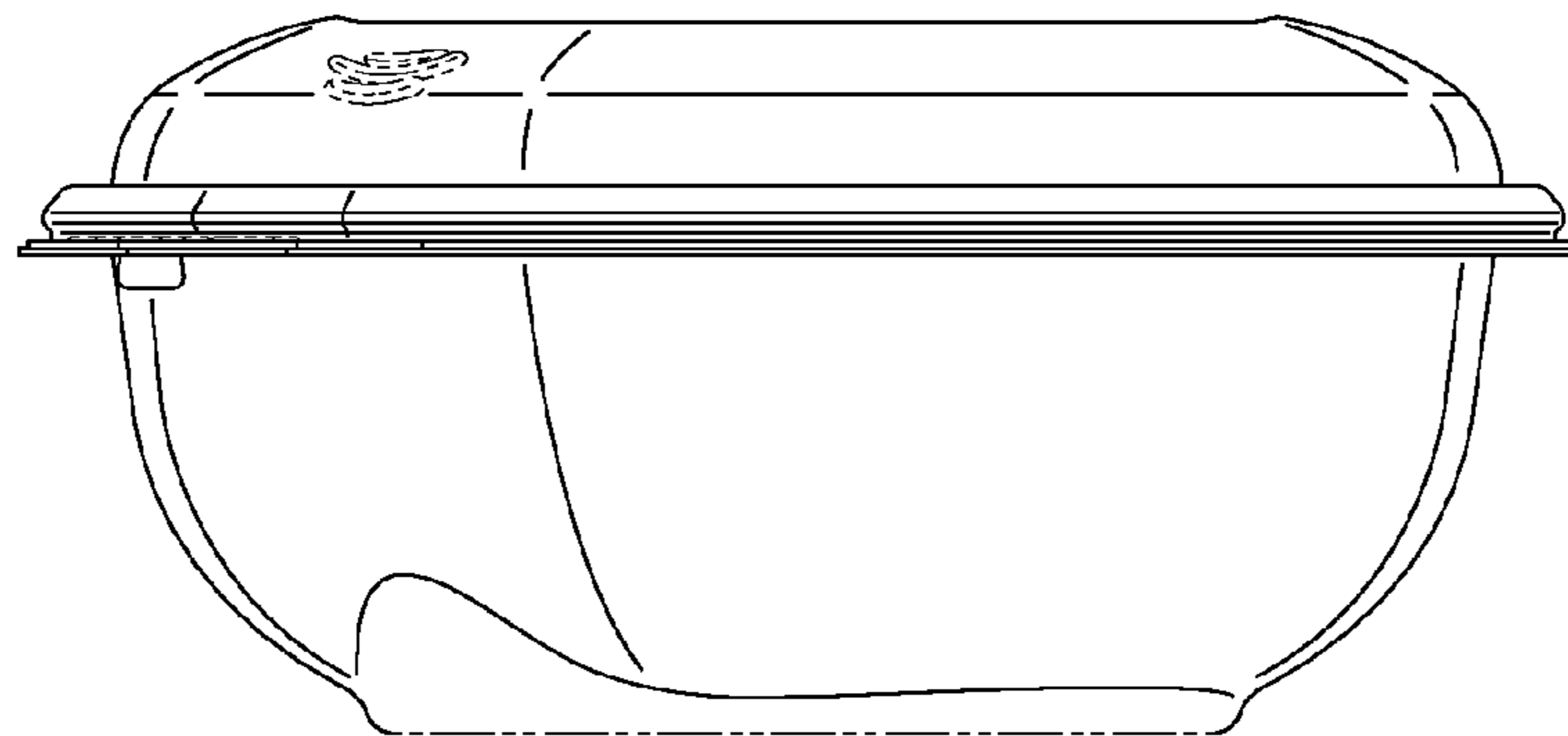


Fig. 12

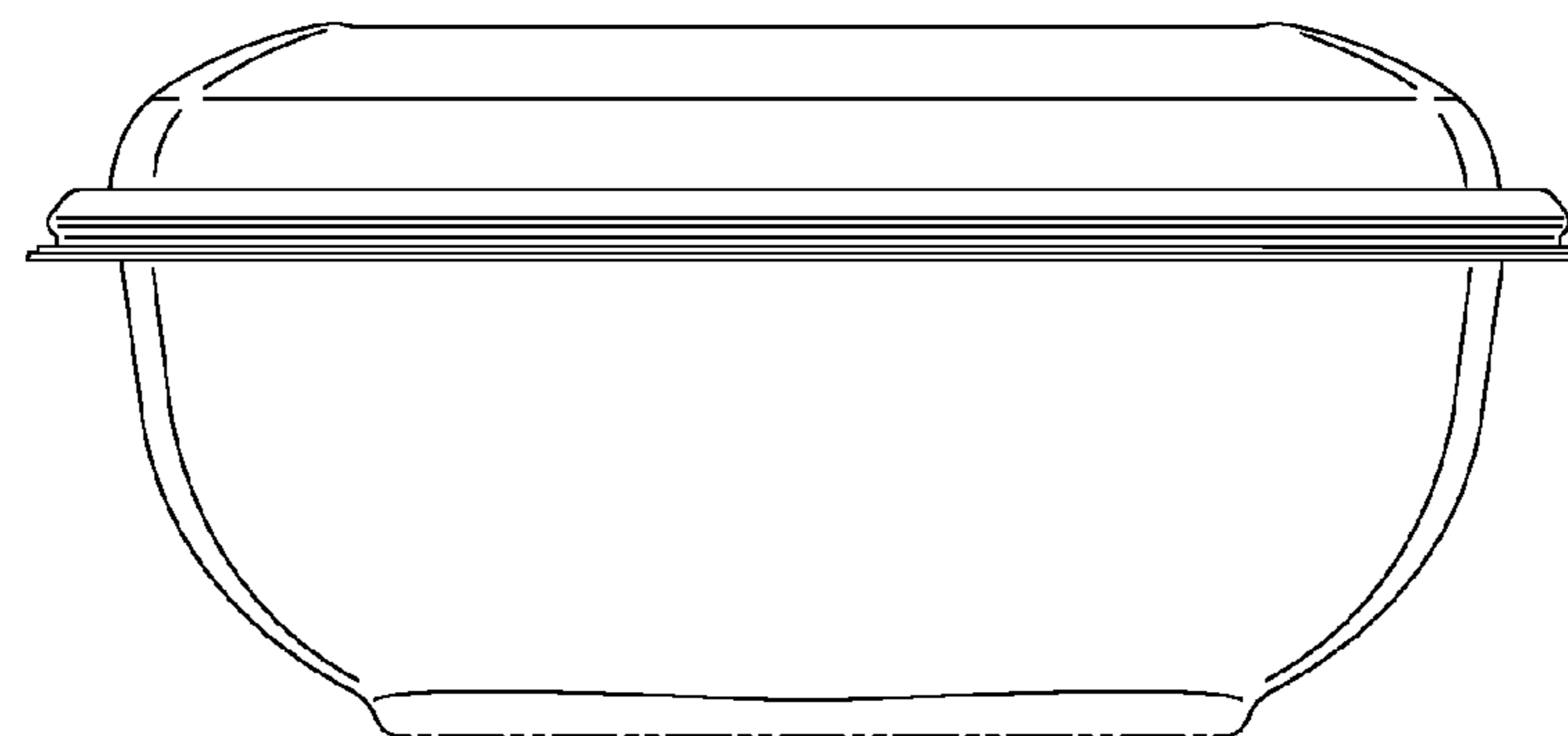


Fig. 13

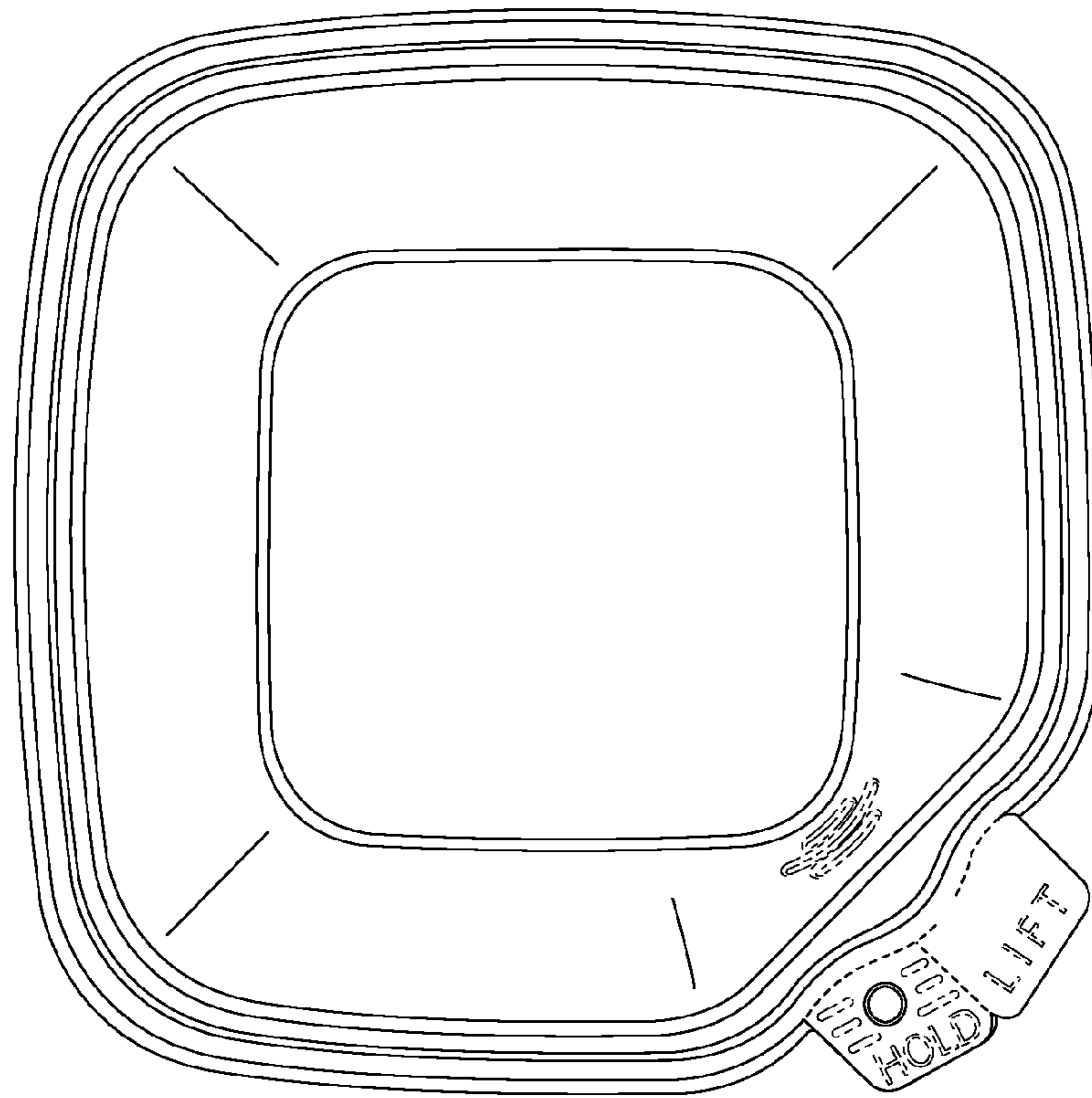


Fig. 14

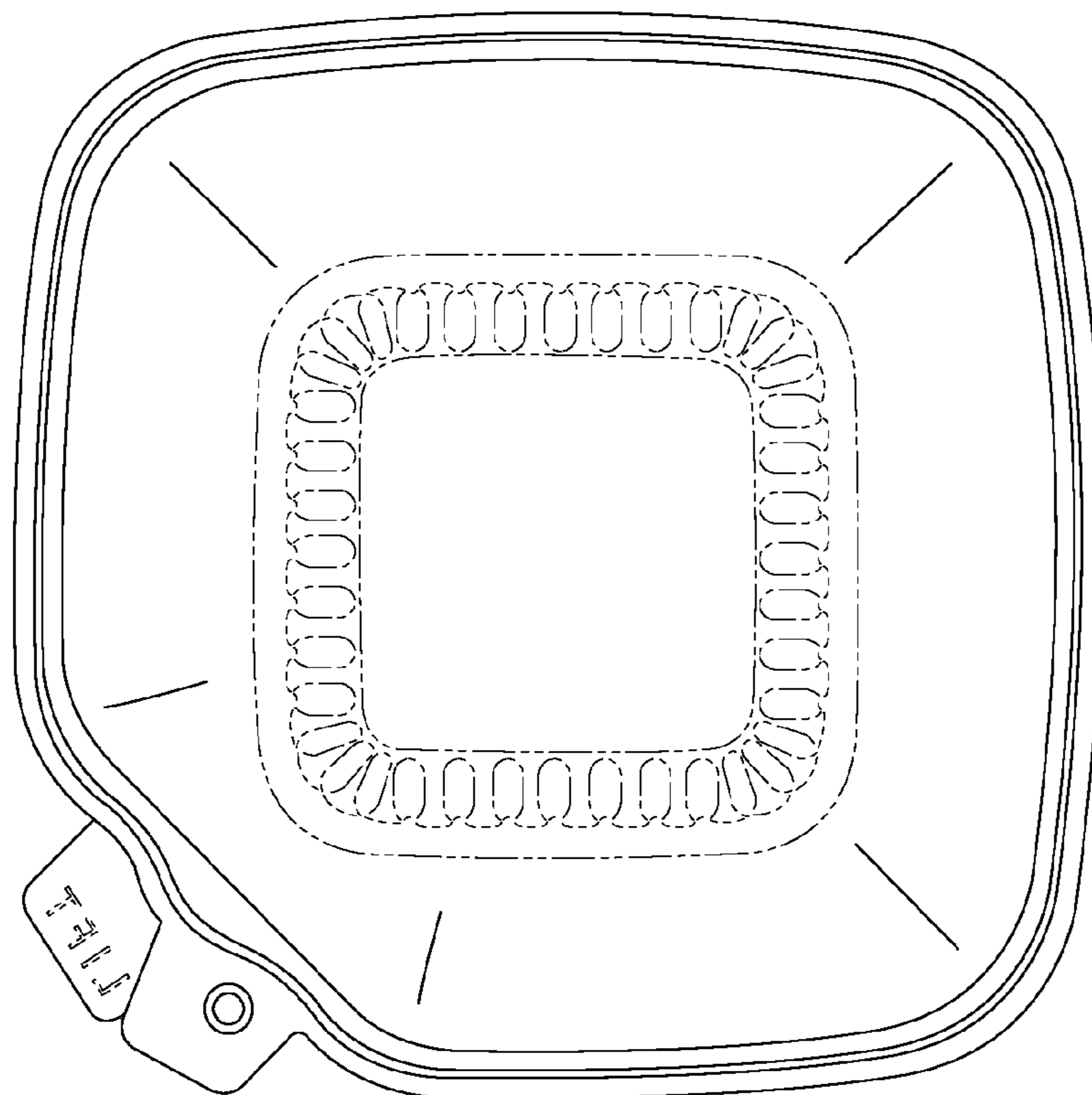


Fig. 15

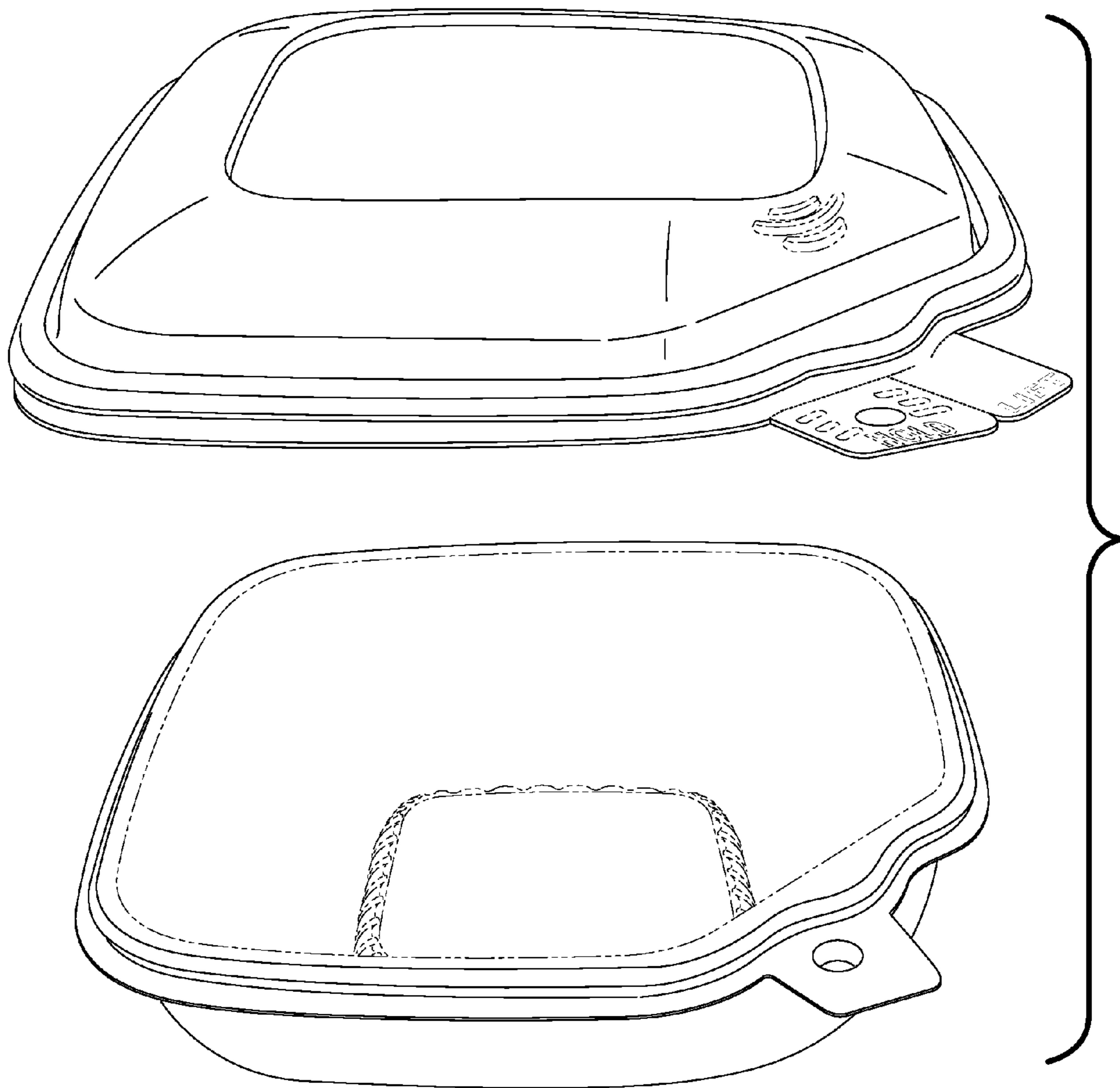


Fig. 16