



US00D684045S

(12) **United States Design Patent**
Frees et al.

(10) **Patent No.:** **US D684,045 S**
(45) **Date of Patent:** **** Jun. 11, 2013**

(54) **SHAVING RAZOR PACKAGE**
(75) Inventors: **Josiah Jastrzab Frees**, Wakefield, MA
(US); **Kelvin Nguyen**, Quincy, MA
(US); **Richard Kevin Sennett**,
Abington, MA (US)
(73) Assignee: **The Gillette Company**, Boston, MA
(US)

D453,901 S 2/2002 Shepperson
D485,752 S * 1/2004 Milan D9/415
D496,267 S 9/2004 Tommasetti
D511,105 S 11/2005 Dominesey et al.
D517,909 S 3/2006 Kent et al.
D522,380 S 6/2006 Dibnah et al.
D584,138 S * 1/2009 Laforteza et al. D9/415
D594,347 S * 6/2009 Sorrentino et al. D9/756
D595,126 S 6/2009 Marcinkowski
D596,023 S * 7/2009 Moskowitz D9/418
2009/0321292 A1 * 12/2009 Prudden et al. 206/354
2010/0200443 A1 * 8/2010 Greene et al. 206/354

(**) Term: **14 Years**

* cited by examiner

(21) Appl. No.: **29/426,621**

Primary Examiner — Derrick Holland

(22) Filed: **Jul. 9, 2012**

Assistant Examiner — Lauren Calve

(51) **LOC (9) Cl.** **09-03**

(74) *Attorney, Agent, or Firm* — John M. Lipchitz; Kevin C. Johnson; Steven W. Miller

(52) **U.S. Cl.**
USPC **D9/424**

(58) **Field of Classification Search**
USPC D9/414, 415, 418, 423, 424, 425,
D9/428, 429, 432, 433, 670, 715, 722, 730,
D9/732, 735, 748, 749, 761; D7/357, 359,
D7/614, 615; 206/362.4, 301, 536, 540, 208,
206/228, 352, 353, 354–360, 461–471, 806,
206/495; D3/201, 203.1–203.4, 302, 318,
D3/904; 220/4.22–4.23, 23.88, 254.7, 281,
220/283, 377, 623, 833, 835, 389
See application file for complete search history.

(57) **CLAIM**

The ornamental design for a shaving razor package, as shown and described.

DESCRIPTION

FIG. 1 is a perspective view of a shaving razor package of the present invention;
FIG. 2 is a front view thereof;
FIG. 3 is a rear view thereof;
FIG. 4 is a right side view thereof;
FIG. 5 is a left side view thereof;
FIG. 6 is a top view thereof; and,
FIG. 7 is a bottom view thereof.

The broken line showing of a shaving razor package represent unclaimed subject matter and form no part of the claimed design.

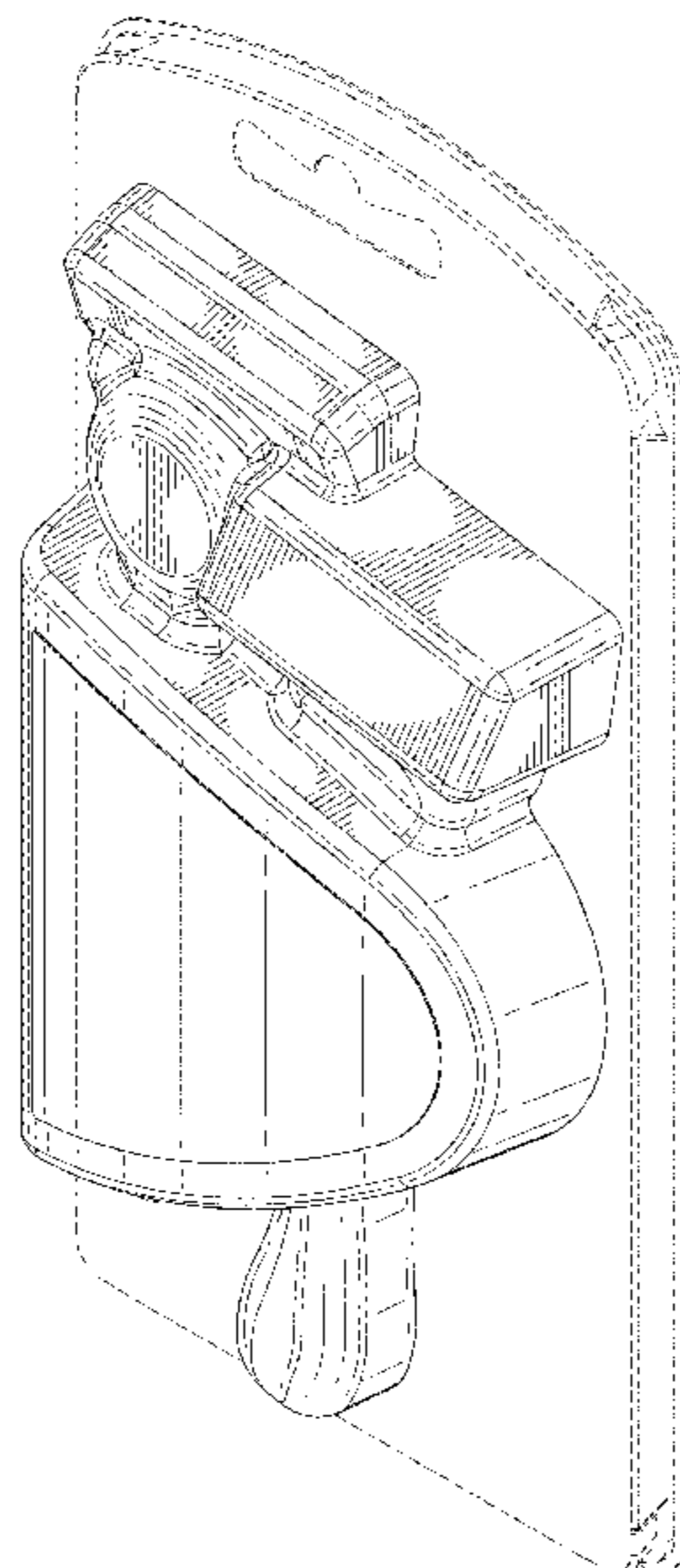
The backing card shown in FIGS. 1-7 forms no part of the claimed design.

(56) **References Cited**

U.S. PATENT DOCUMENTS

D209,541 S * 12/1967 Rodgers D9/722
D227,232 S * 6/1973 Glaberson et al. D9/748
D227,859 S * 7/1973 Poisson D9/748
D253,040 S 10/1979 Fournier et al.
D257,327 S 10/1980 Samsing
4,496,047 A 1/1985 Gatley
D352,236 S 11/1994 Althaus
5,429,241 A 7/1995 Althaus

1 Claim, 5 Drawing Sheets



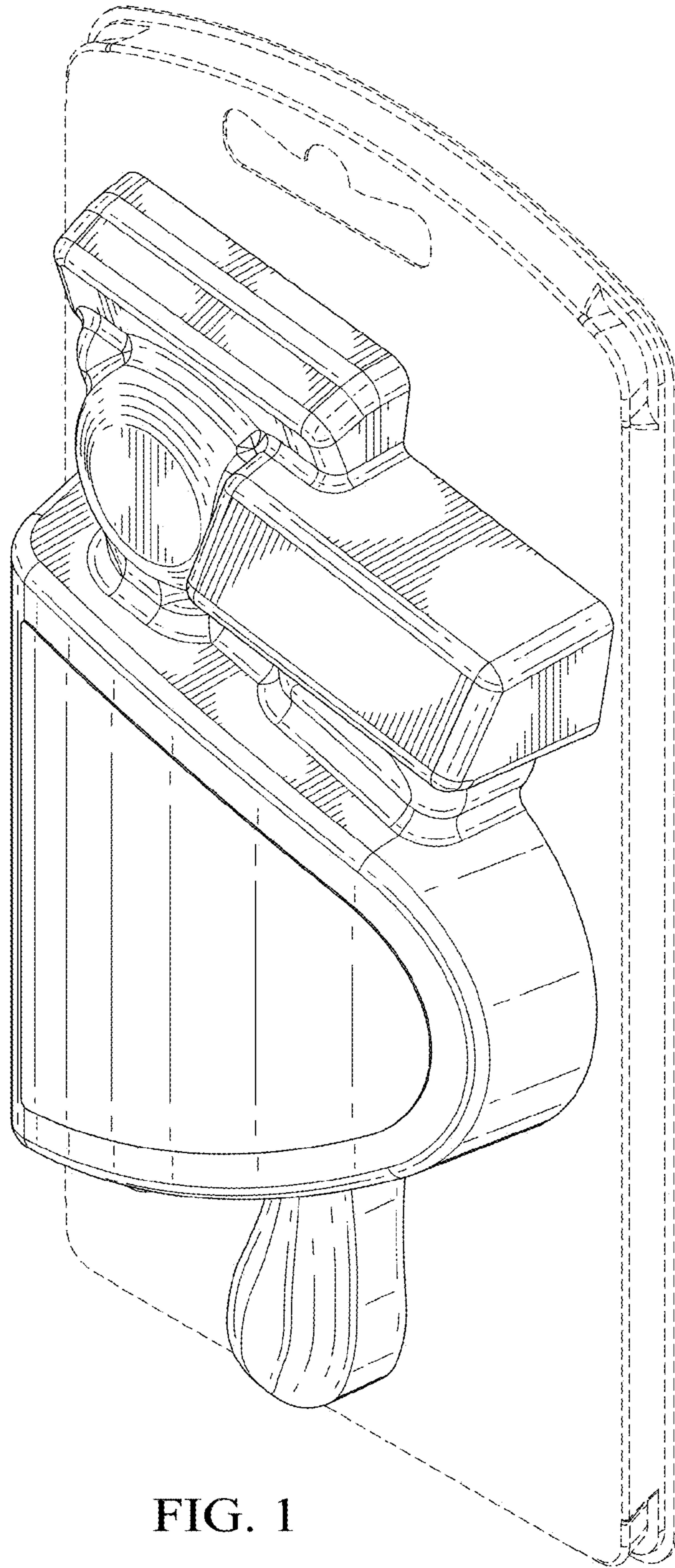


FIG. 1

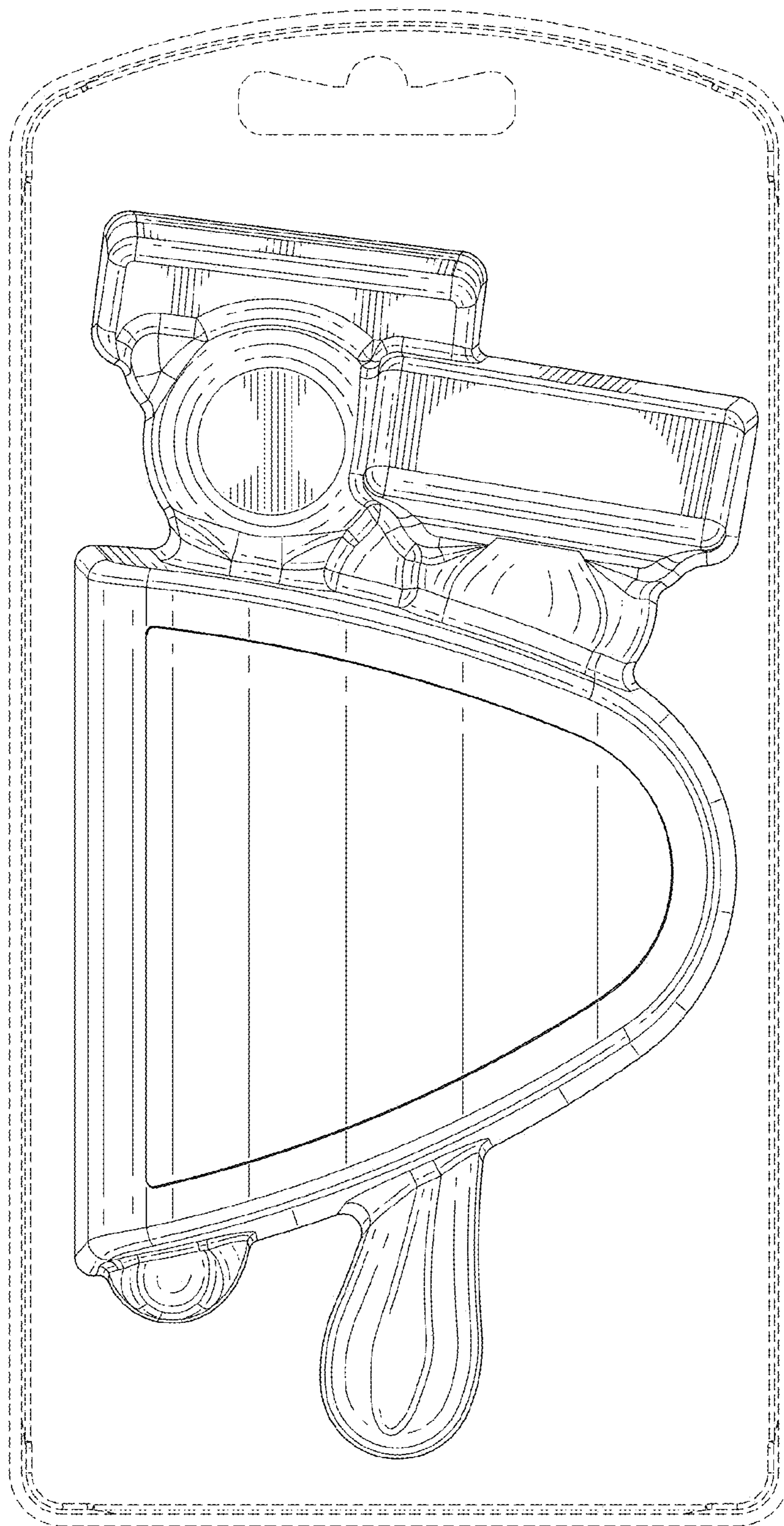


FIG. 2

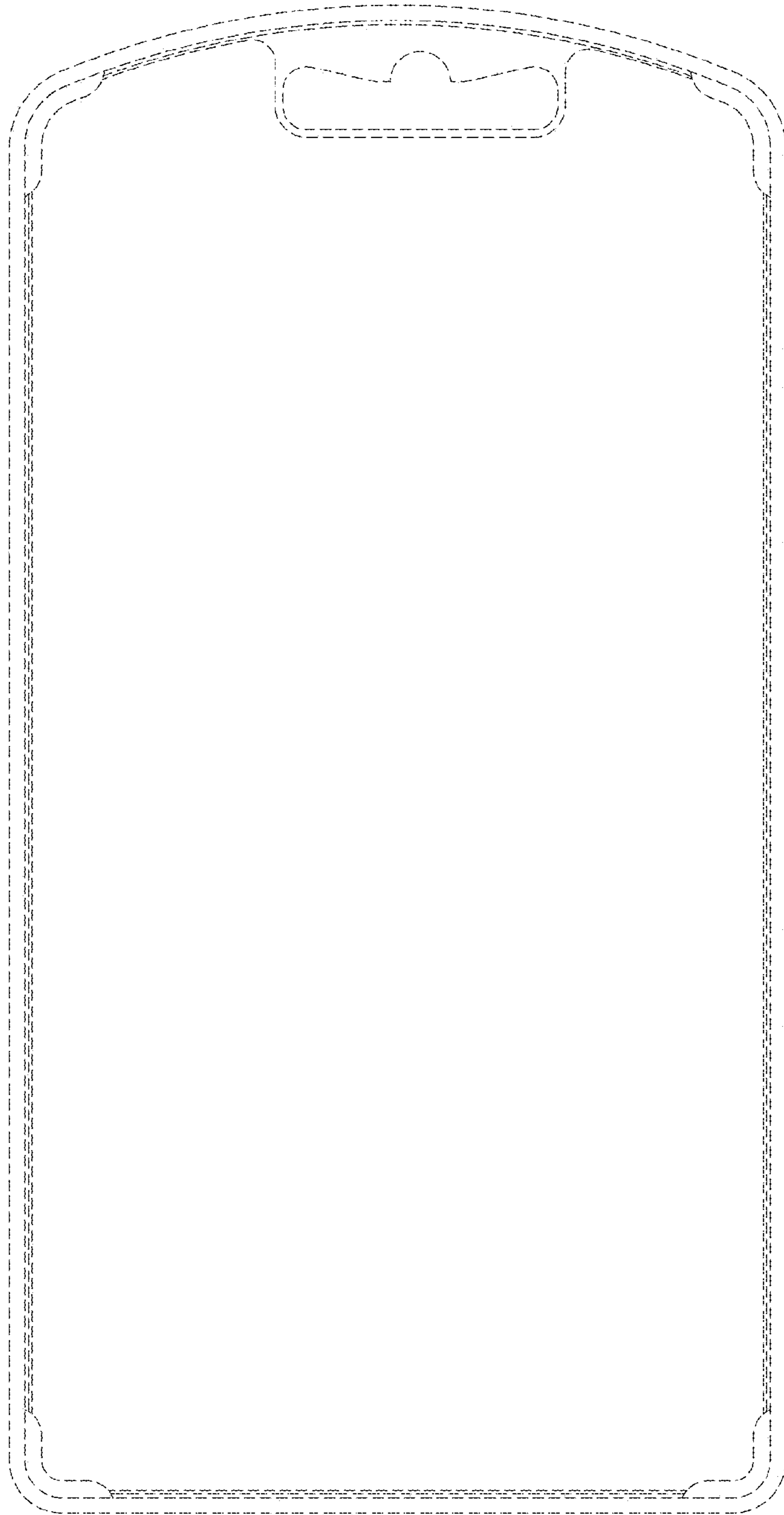


FIG. 3

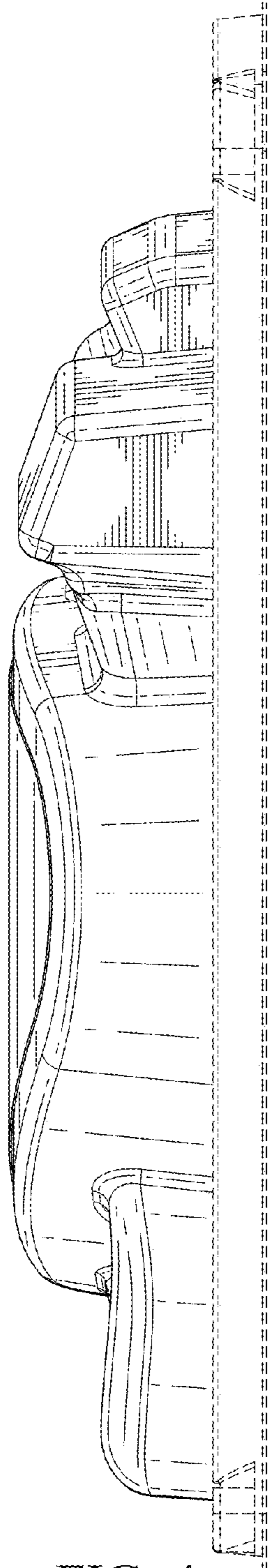


FIG. 4

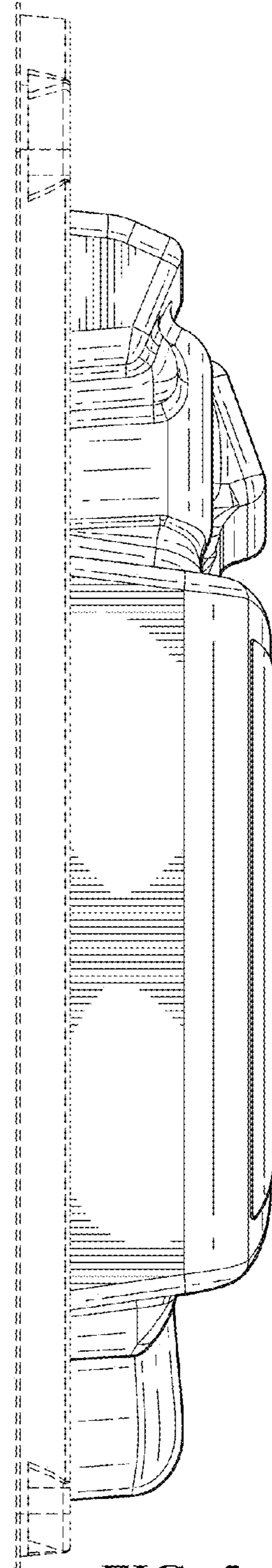


FIG. 5

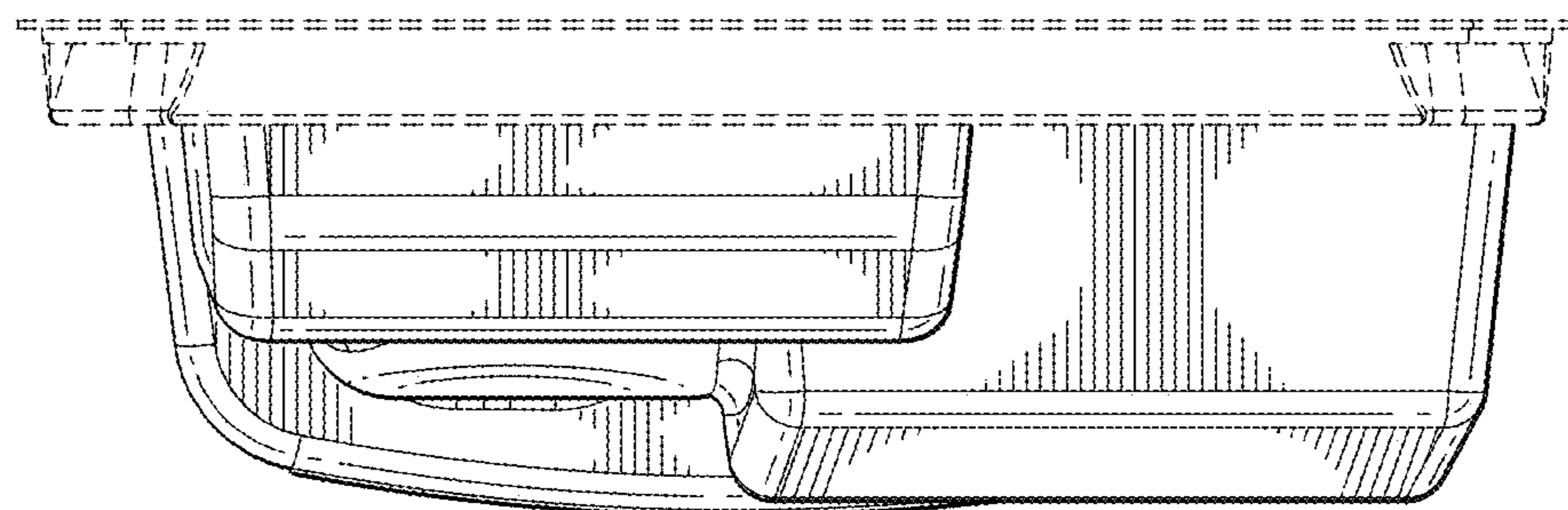


FIG. 6

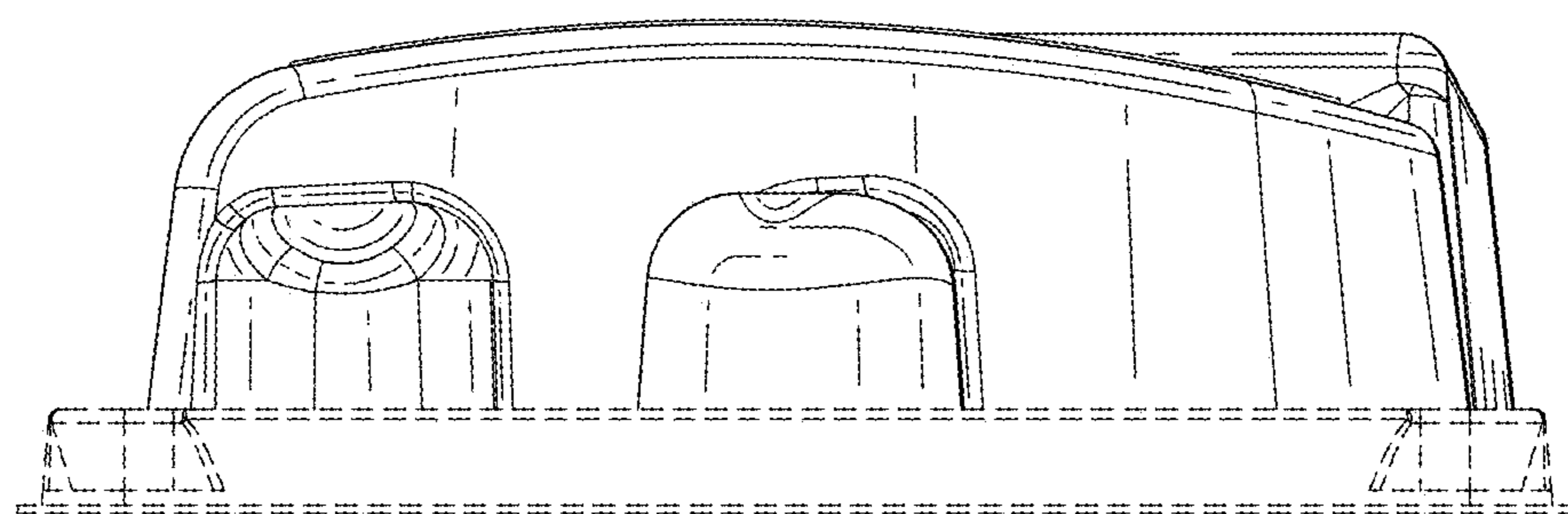


FIG. 7