



US00D684044S

(12) **United States Design Patent**  
**Stowe et al.**

(10) **Patent No.:** **US D684,044 S**  
(45) **Date of Patent:** **\*\* Jun. 11, 2013**

(54) **FOOD CONTAINER**  
(75) Inventors: **Curtis H. Stowe**, Gretna, NE (US);  
**Jaclyn Ellison**, Nashville, TN (US);  
**Kenneth Meissbach**, Lawrence, KS  
(US); **Jason Rowe**, Evansville, IN (US)  
(73) Assignee: **ConAgra Foods RDM, Inc.**, Omaha,  
NE (US)

(\*\*) Term: **14 Years**  
(21) Appl. No.: **29/425,682**

(22) Filed: **Jun. 26, 2012**  
(51) **LOC (9) Cl.** ..... **09-03**  
(52) **U.S. Cl.**  
USPC ..... **D9/424**  
(58) **Field of Classification Search**  
USPC ..... D9/414, 415, 416, 420, 423, 424,  
D9/425, 429, 432, 439, 440, 455, 506, 518,  
D9/522, 523, 529, 530, 544, 545, 553, 564,  
D9/566, 763, 753, 757, 760, 761, 764, 772,  
D9/773, 776; 206/216, 232, 470, 461, 463,  
206/469, 543, 557, 771, 806; 215/275,  
381-384; D7/316, 500, 509, 542, 543, 560,  
D7/561, 566, 585, 586, 587; 220/574, 676,  
220/575

See application file for complete search history.

(56) **References Cited**

U.S. PATENT DOCUMENTS  
D21,612 S \* 6/1892 Underhill ..... D9/502  
866,436 A \* 9/1907 Cox ..... 215/275

D102,704 S \* 1/1937 Stallings et al. .... D7/615  
D190,355 S \* 5/1961 Meagher ..... D1/102  
D206,358 S \* 11/1966 Griese ..... D9/428  
D221,625 S \* 8/1971 Kinney ..... D9/428  
D237,136 S \* 10/1975 Swett et al. .... D7/615  
4,193,494 A \* 3/1980 Green ..... 206/217  
D280,600 S \* 9/1985 Earl ..... D9/503  
D361,956 S \* 9/1995 Moore ..... D11/152  
D468,200 S \* 1/2003 Kim et al. .... D9/428  
D655,573 S \* 3/2012 O'Connor ..... D7/532

\* cited by examiner

*Primary Examiner* — Derrick Holland

*Assistant Examiner* — Lauren Calve

(74) *Attorney, Agent, or Firm* — Advent, LLP; Ryan T. Grace

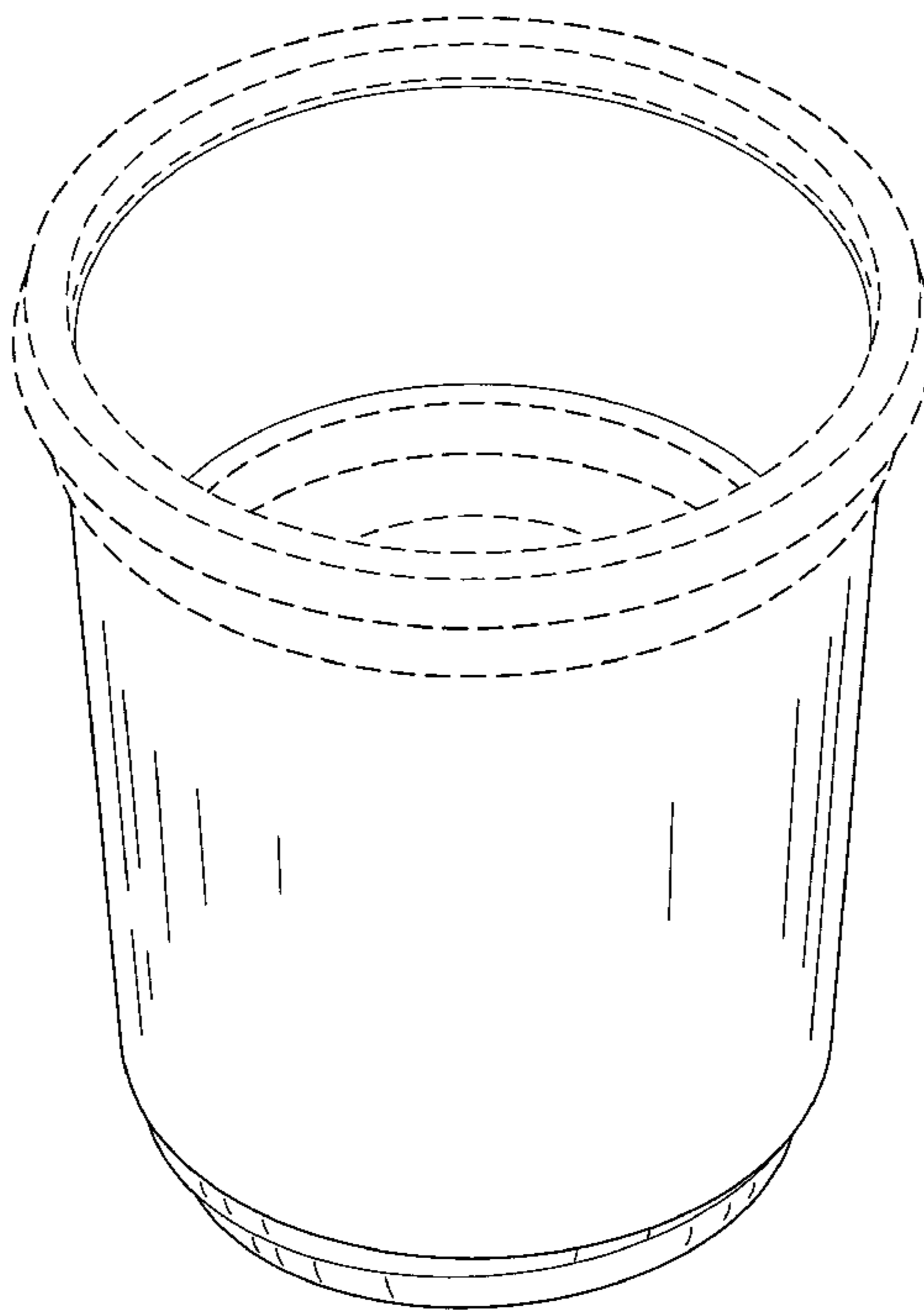
(57) **CLAIM**

The ornamental design for a food container, as shown and described.

**DESCRIPTION**

FIG. 1 is a perspective view of a food container.  
FIG. 2 is a first side plan view of the food container of FIG. 1.  
FIG. 3 is a second side plan view of the food container of FIG. 1.  
FIG. 4 is a top view of the food container of FIG. 1.  
FIG. 5 is a bottom view of the food container of FIG. 1; and,  
FIG. 6 is a cross sectional view along line 6-6 indicated in FIG. 4.  
The broken line showing of the container is included for purposes of illustrating environment and forms no part of the claimed design.

**1 Claim, 4 Drawing Sheets**



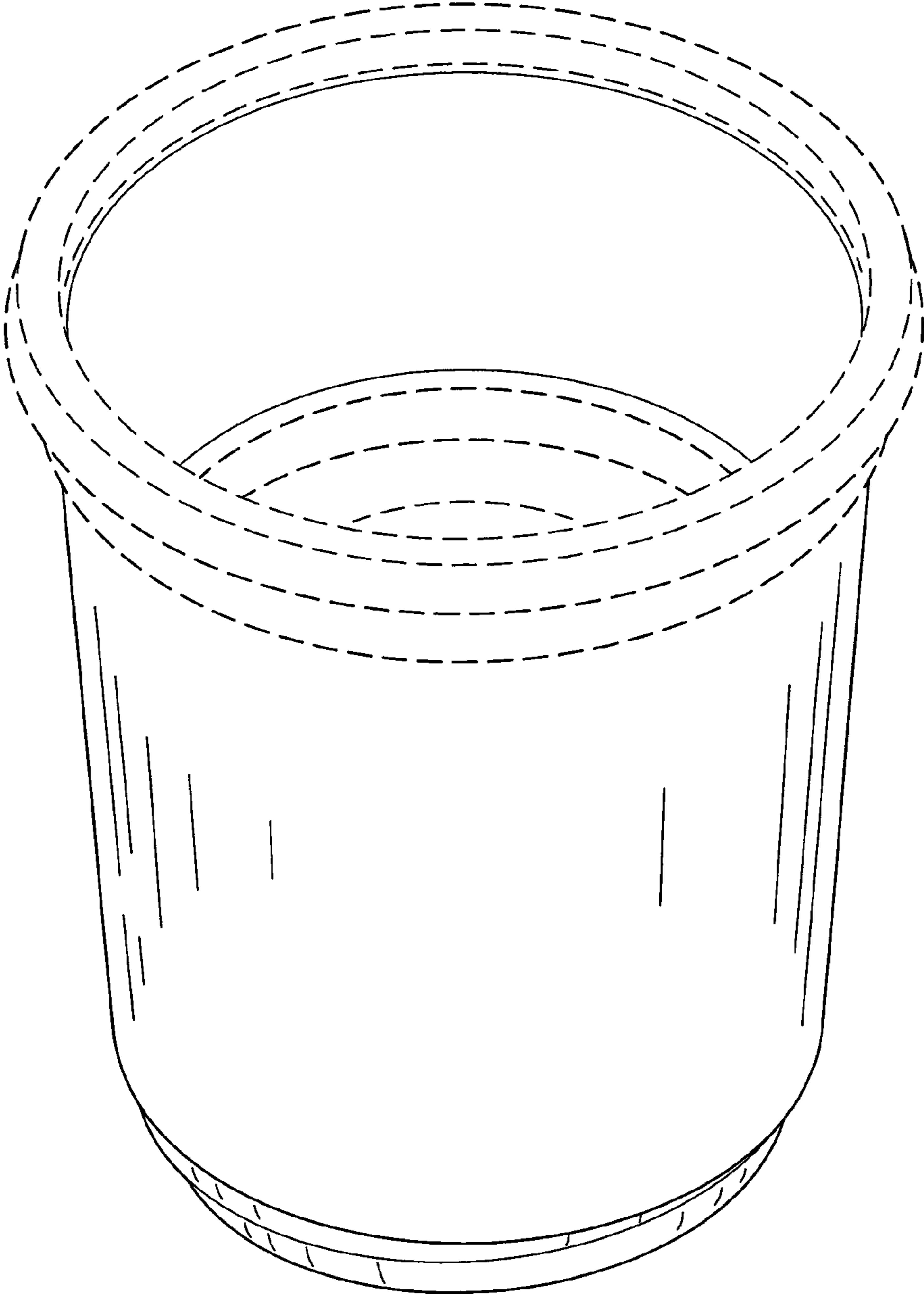
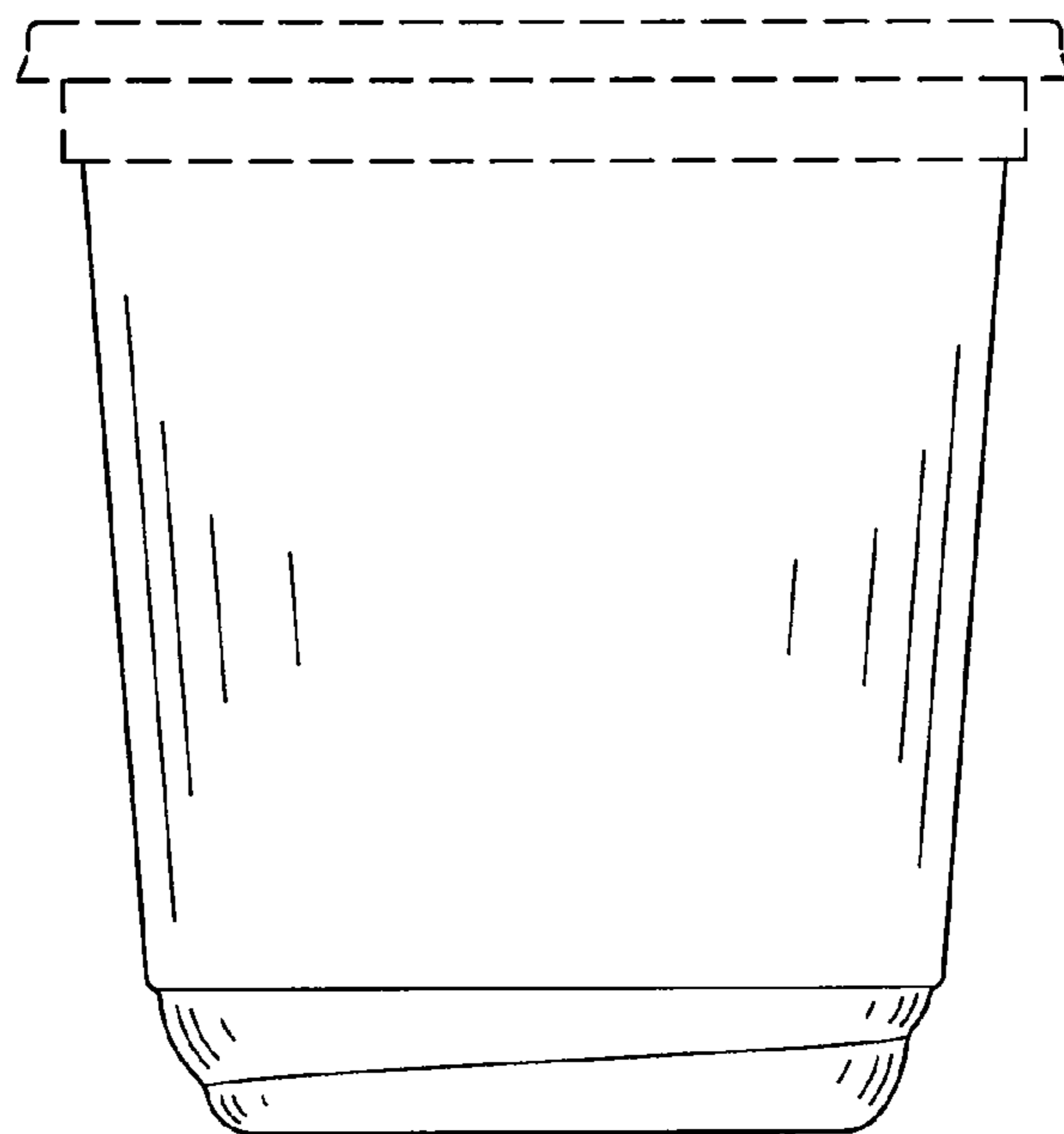
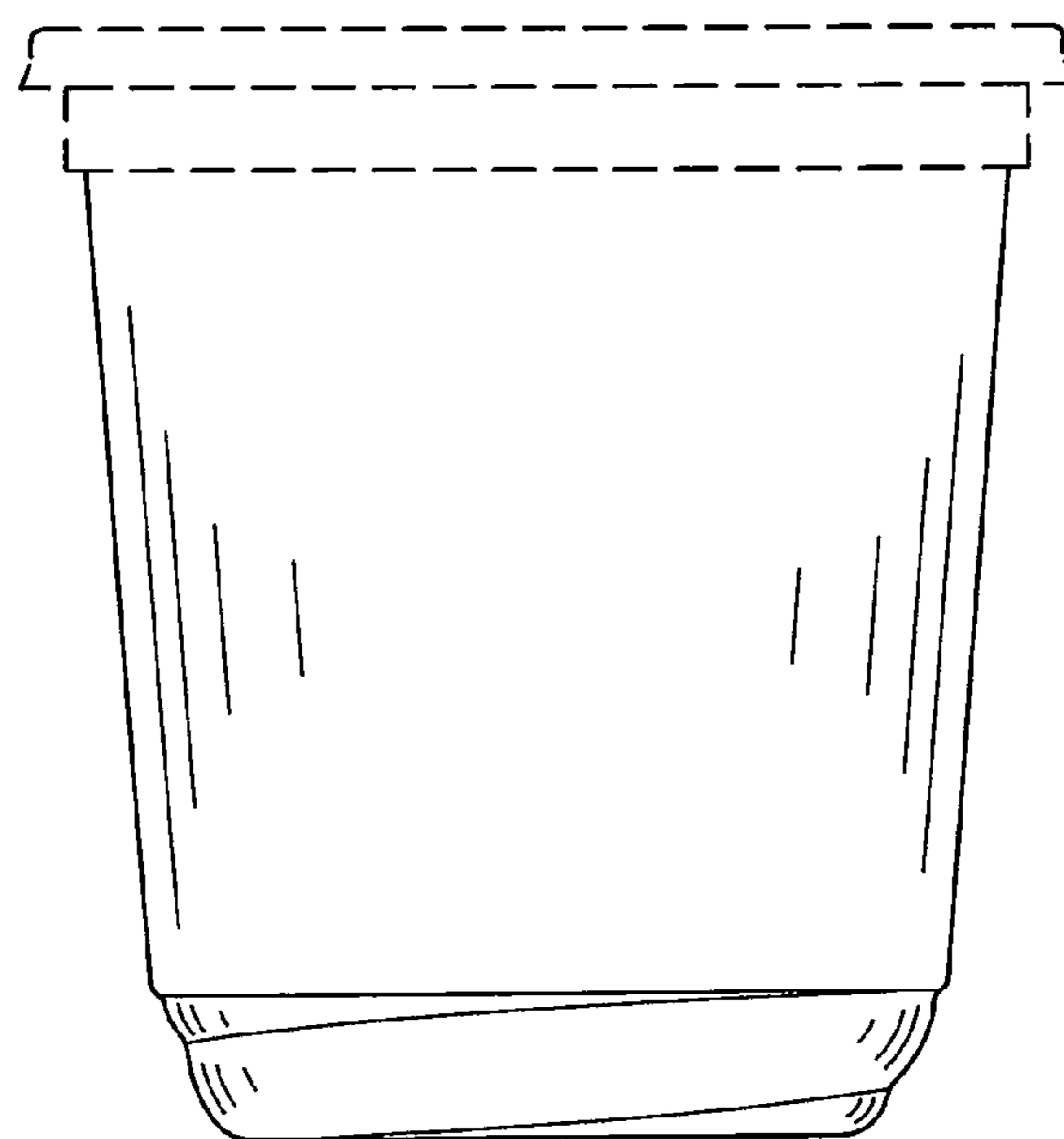


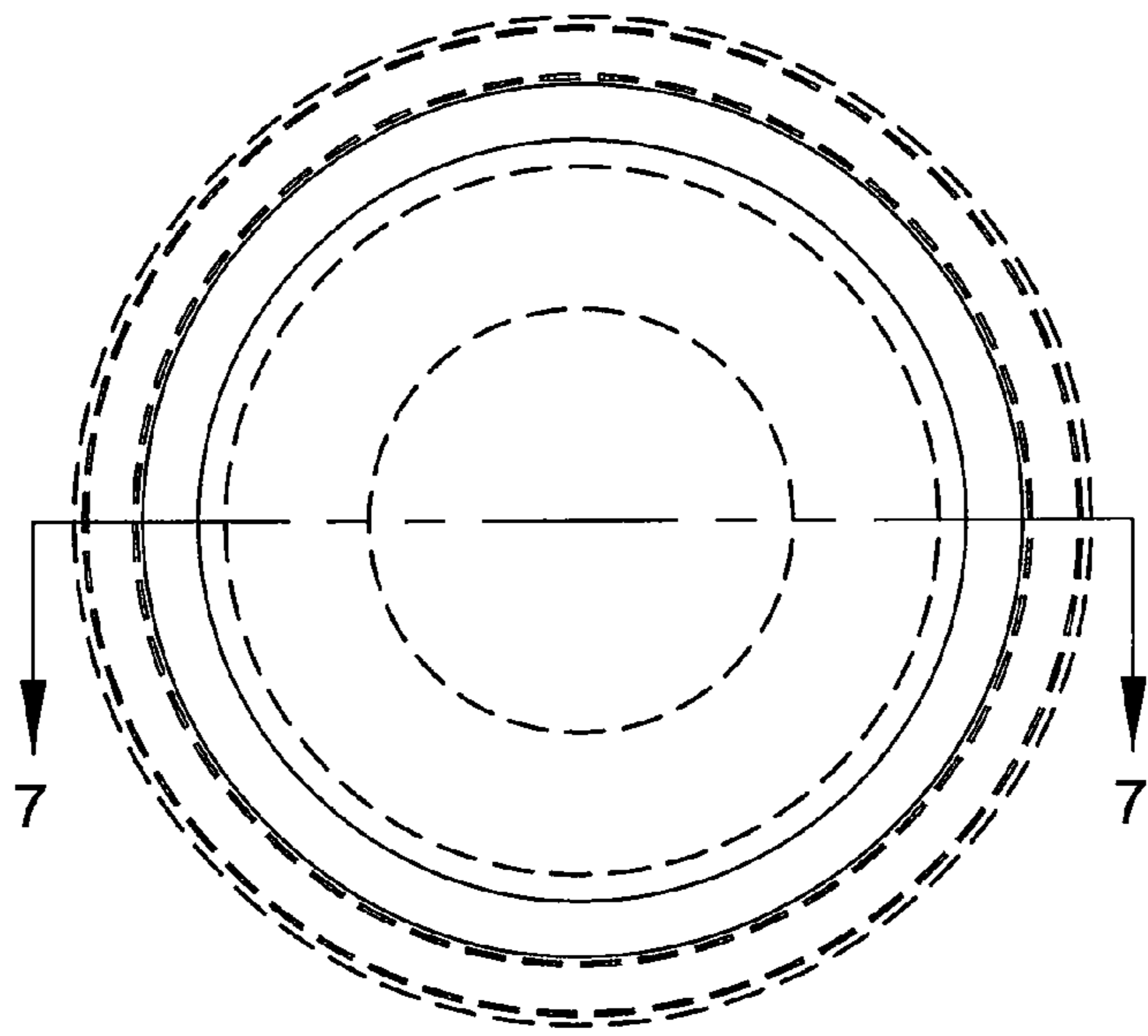
FIG. 1



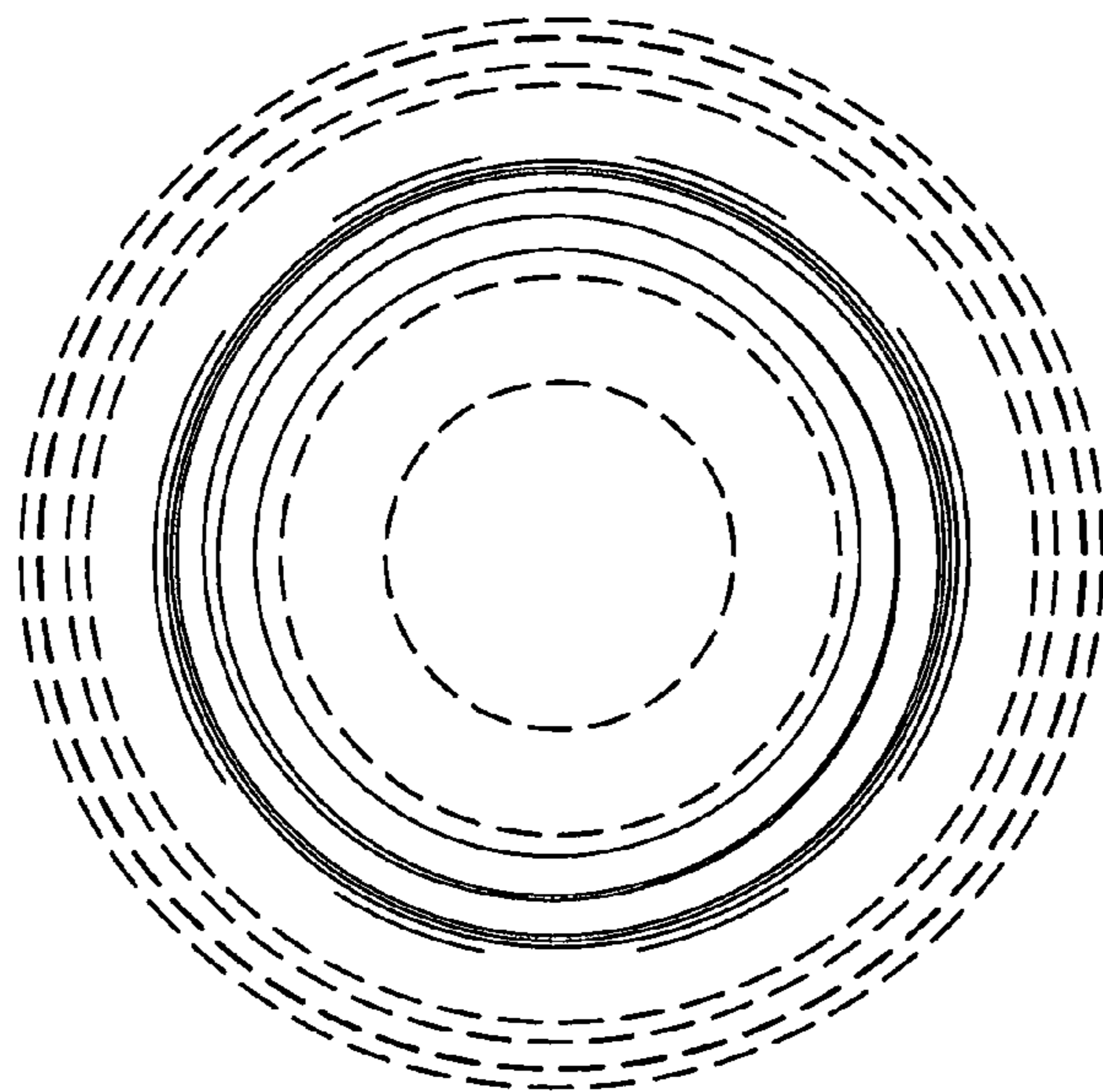
**FIG. 2**



**FIG. 3**



**FIG. 4**



**FIG. 5**

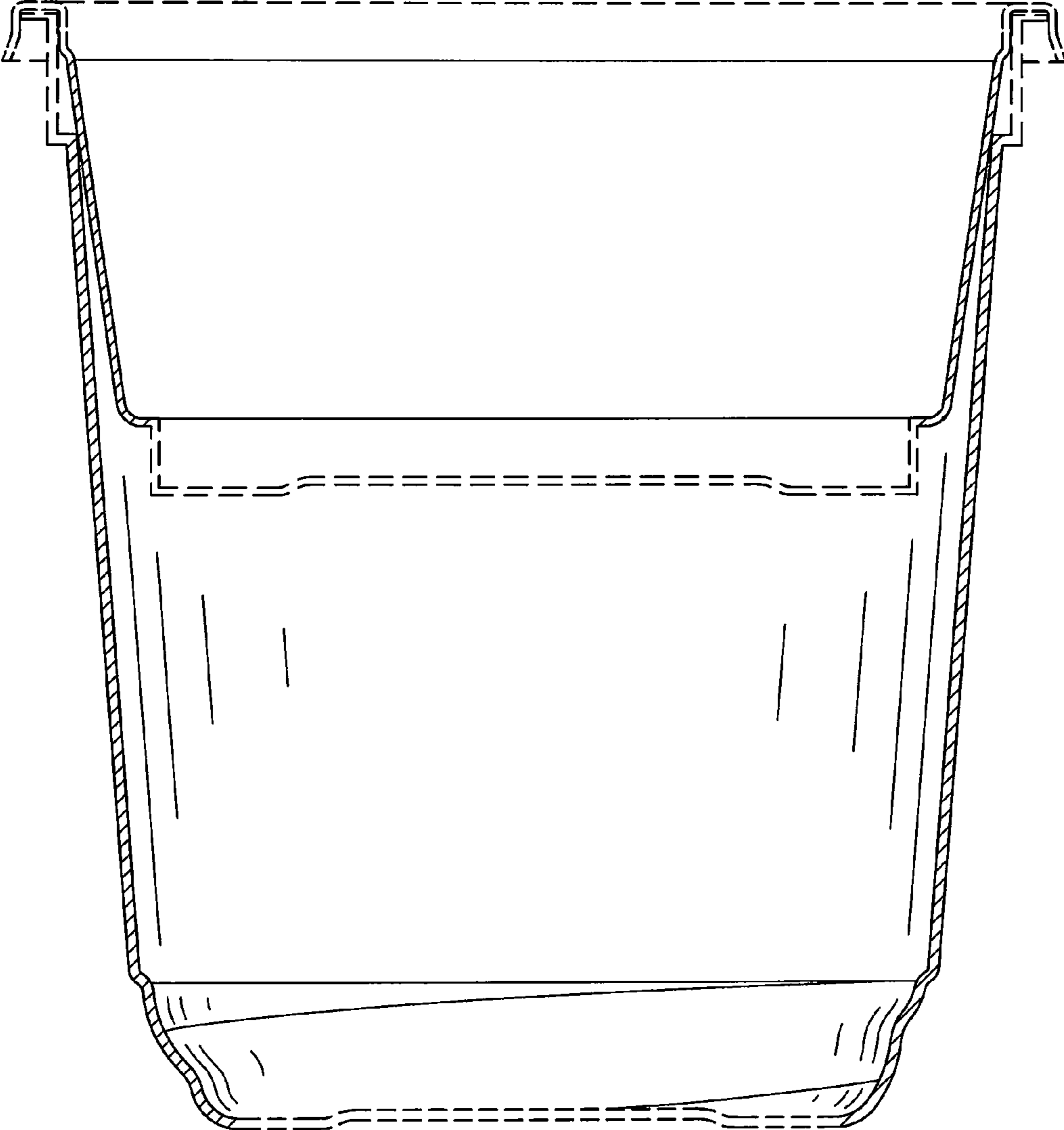


FIG. 6