



US00D684035S

(12) **United States Design Patent**
Su

(10) **Patent No.:** **US D684,035 S**
(45) **Date of Patent:** **** Jun. 11, 2013**

(54) **HELICALLY COILED HOSE RACK**

(75) Inventor: **Shian-Chun Su**, Taichung (TW)

(73) Assignee: **Ho-Chin Chen**, Taichung (TW)

(**) Term: **14 Years**

(21) Appl. No.: **29/429,576**

(22) Filed: **Aug. 14, 2012**

(51) **LOC (9) Cl.** **08-05**

(52) **U.S. Cl.**
USPC **D8/356**

(58) **Field of Classification Search**
USPC .. D8/356, 367, 354, 349, 394, 373; D24/128;
D25/99; 24/455; 248/62, 63, 65, 74.1, 74.2,
248/75, 313, 316.1, 229.26; D11/218
See application file for complete search history.

(56) **References Cited**

U.S. PATENT DOCUMENTS

6,488,246 B2 * 12/2002 Song 248/175
D552,971 S * 10/2007 Lin et al. D8/356
D628,464 S * 12/2010 Oskey D8/356

D644,088 S * 8/2011 Gallaty D8/354
D650,655 S * 12/2011 Wester D8/354
D651,066 S * 12/2011 Johnson, III D8/354
D651,067 S * 12/2011 Johnson, III D8/354
D672,227 S * 12/2012 Hendricks D8/394

* cited by examiner

Primary Examiner — Cynthia Underwood

(74) *Attorney, Agent, or Firm* — Bacon & Thomas, PLLC

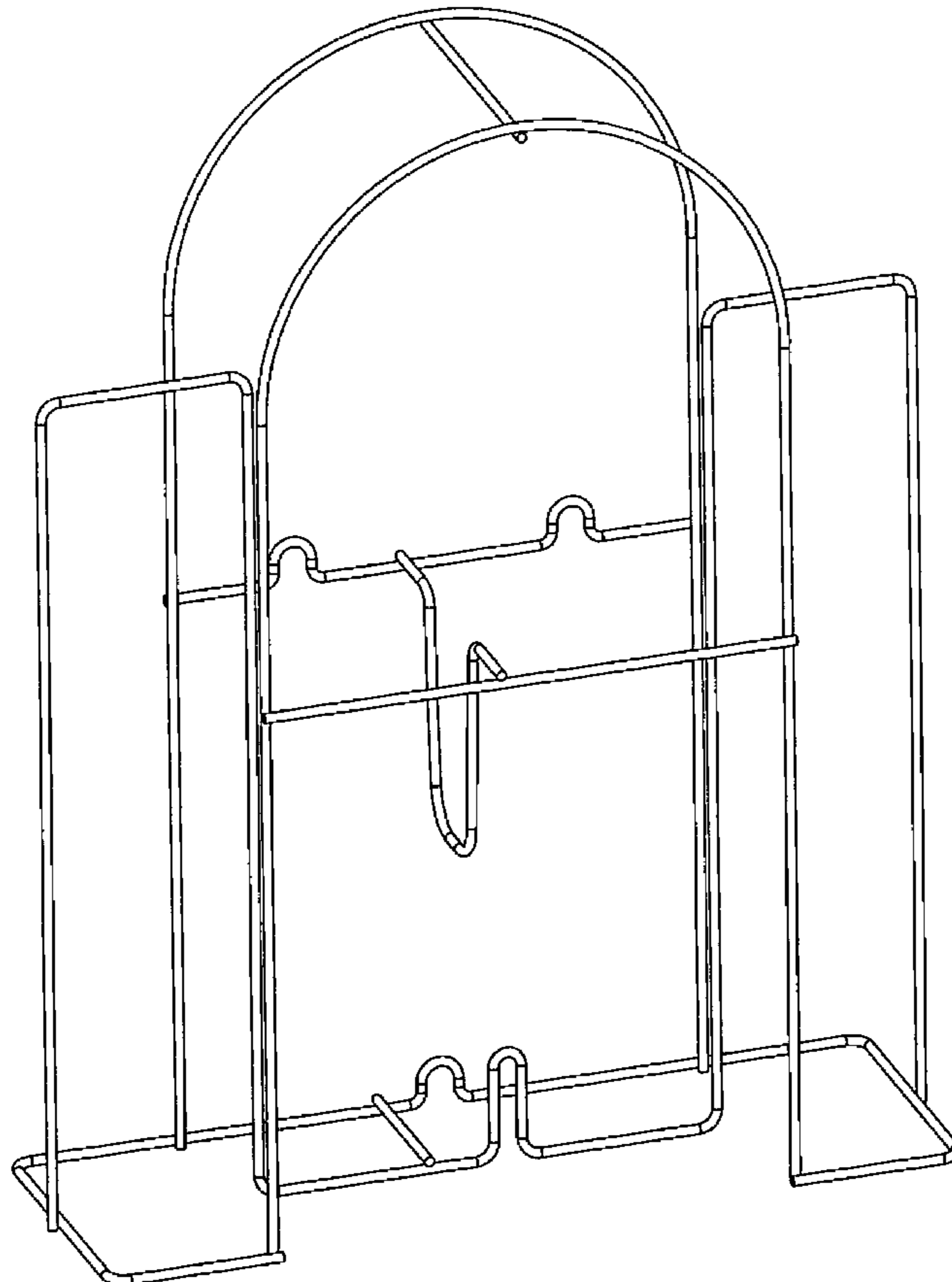
(57) **CLAIM**

The ornamental design for a helically coiled hose rack, as shown and described.

DESCRIPTION

FIG. 1 is a front-left-top perspective view of a helically coiled hose rack showing our new design;
FIG. 2 is a front elevational view thereof;
FIG. 3 is a rear elevational view thereof;
FIG. 4 is a right side elevational view thereof;
FIG. 5 is a left side elevational view thereof;
FIG. 6 is a top plan view thereof; and,
FIG. 7 is a bottom plan view thereof.

1 Claim, 7 Drawing Sheets



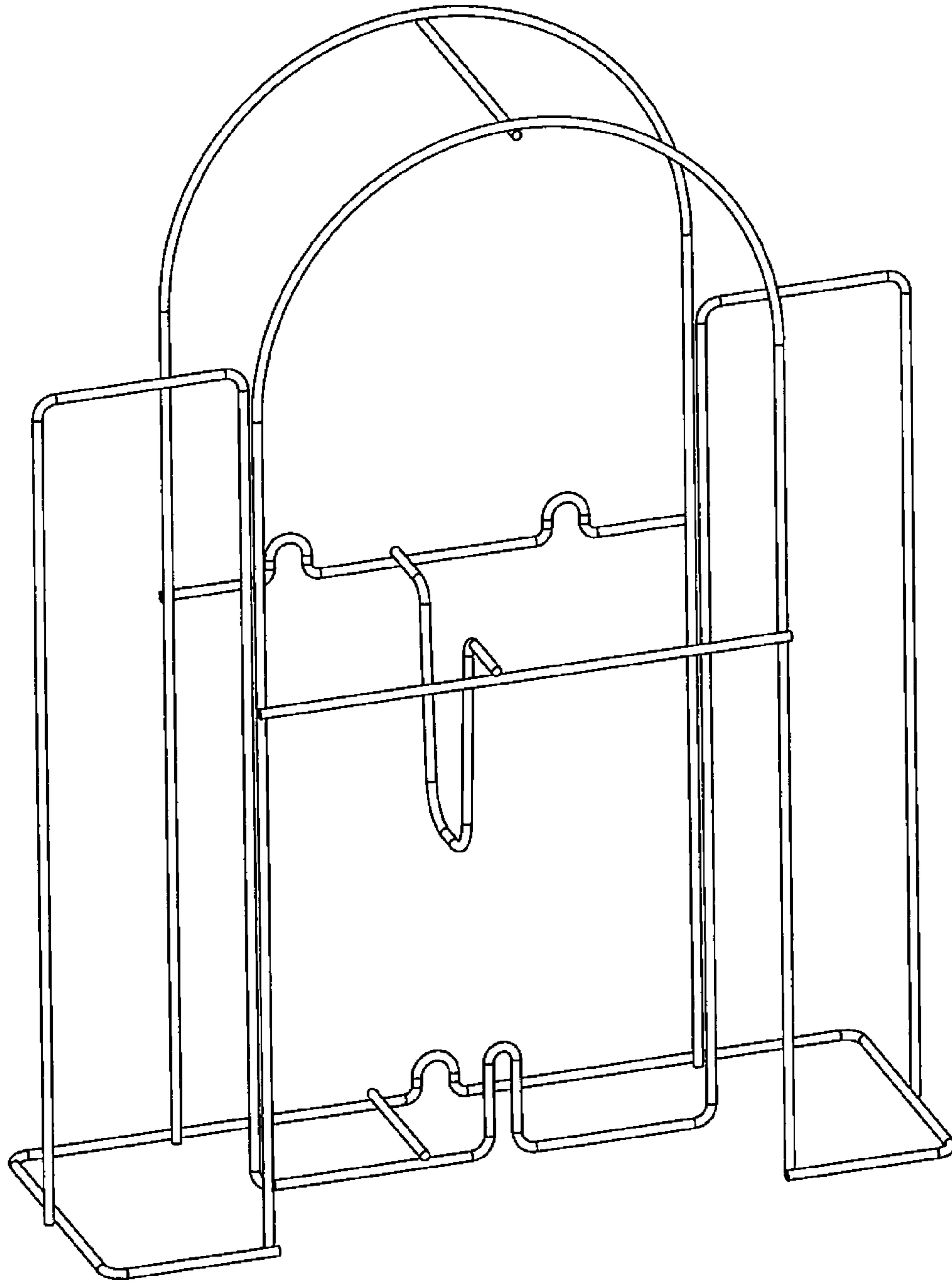


FIG. 1

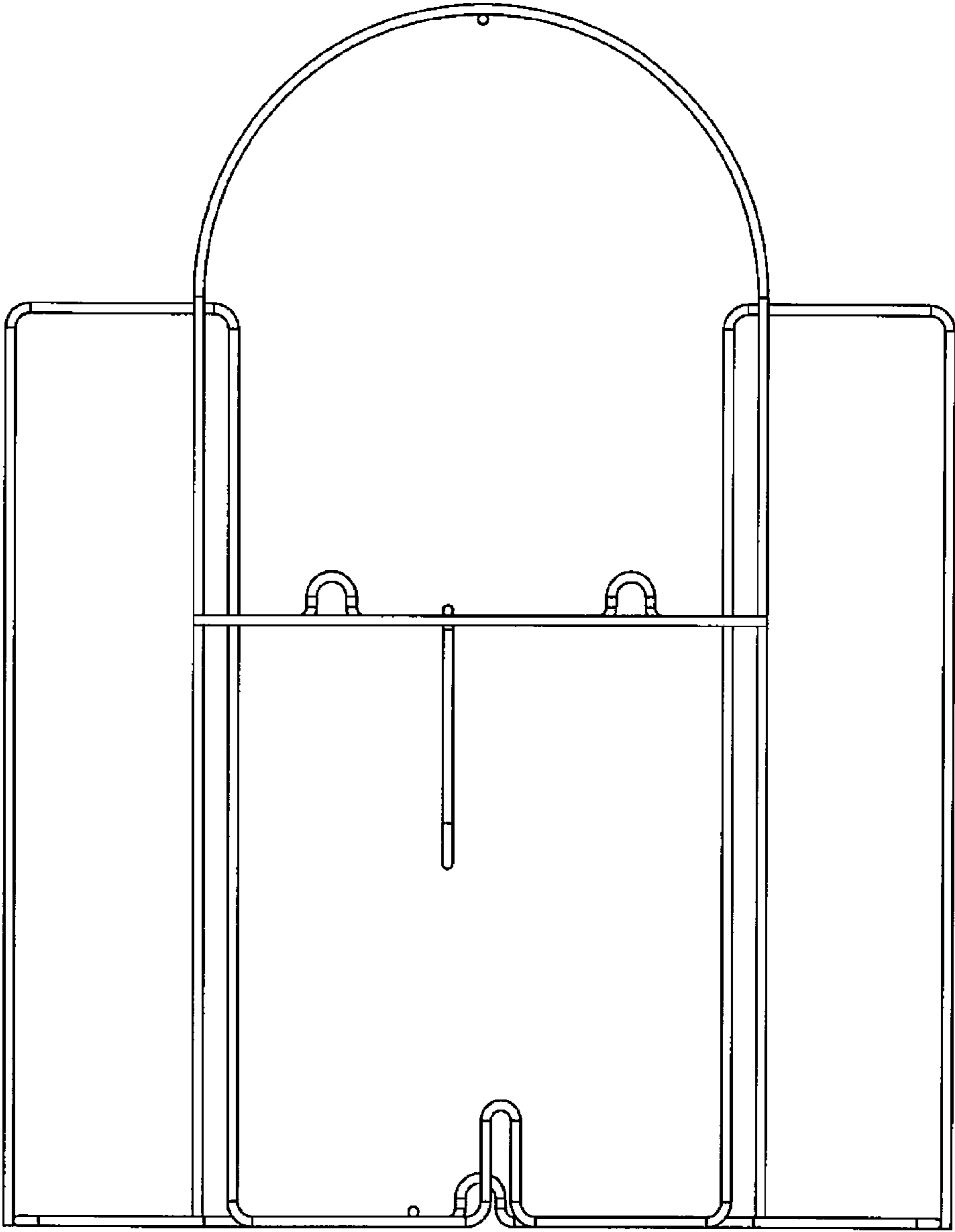


FIG. 2

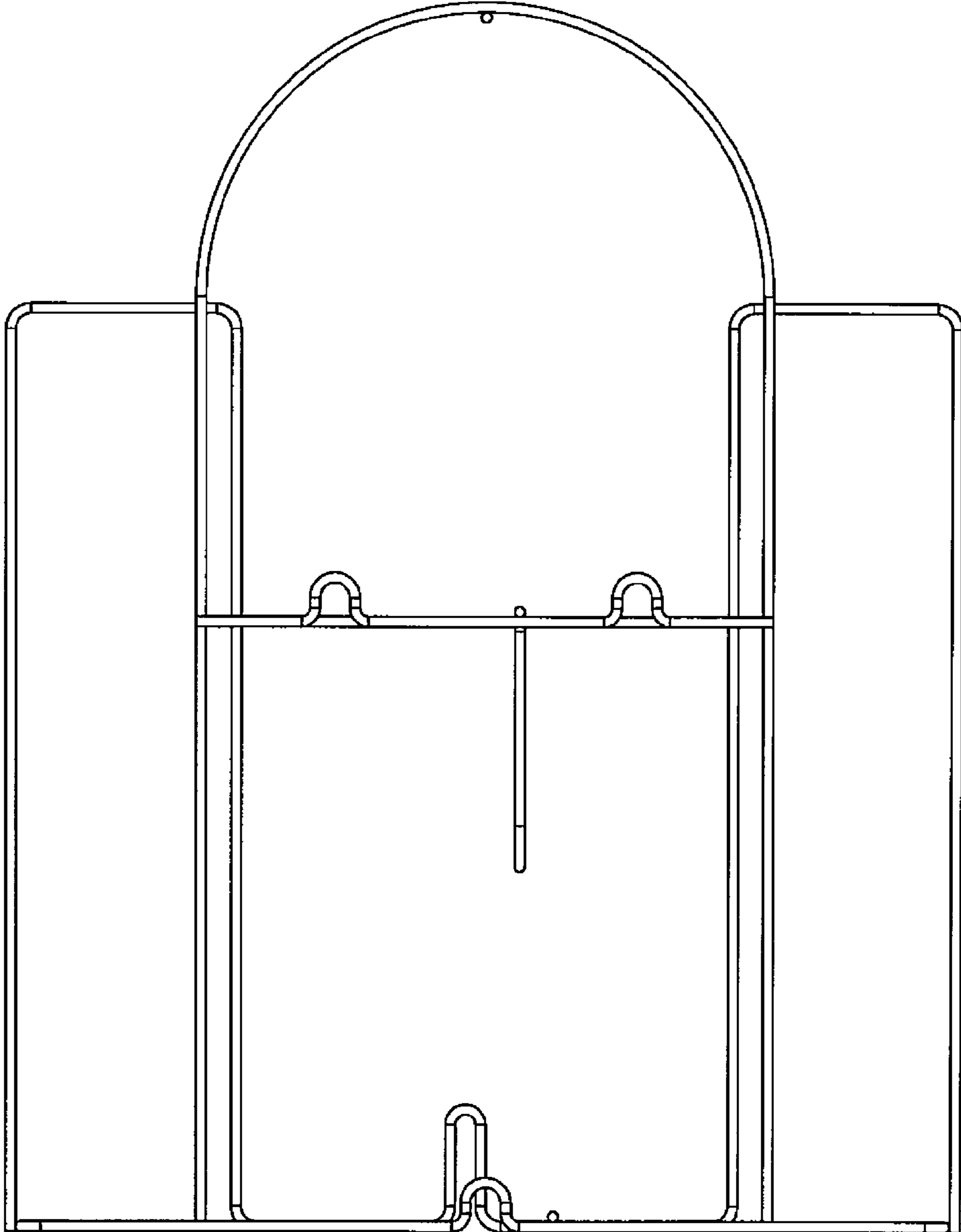


FIG. 3

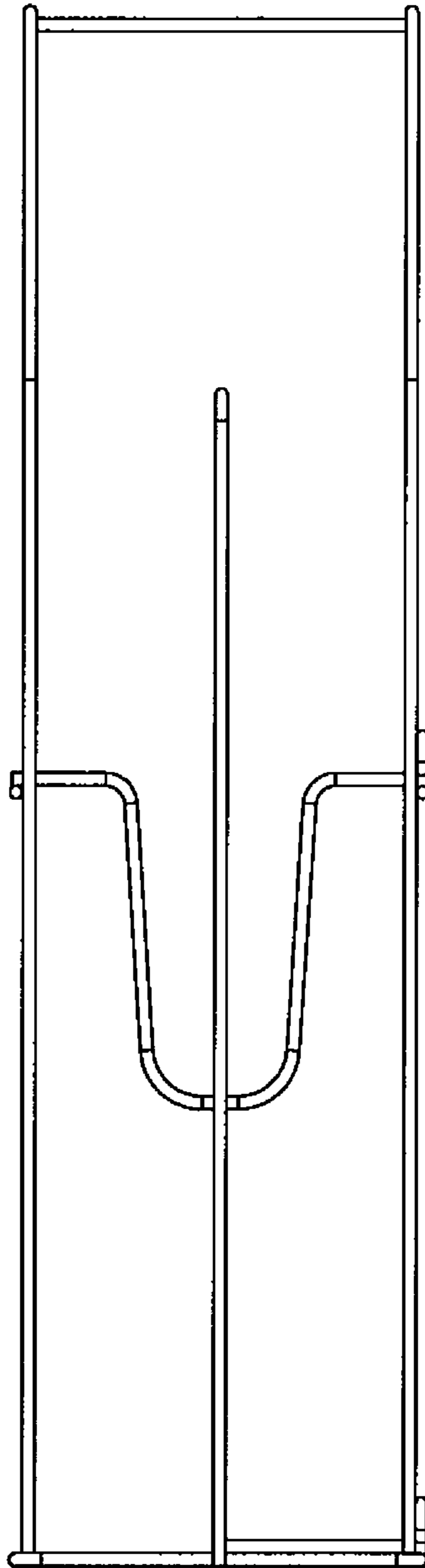


FIG. 4

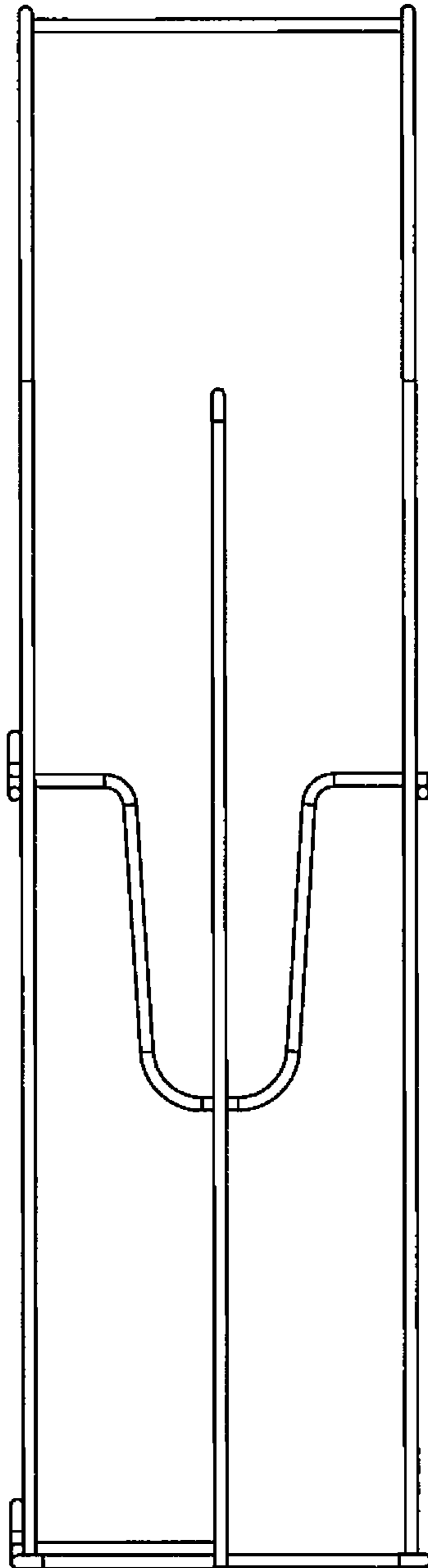


FIG. 5

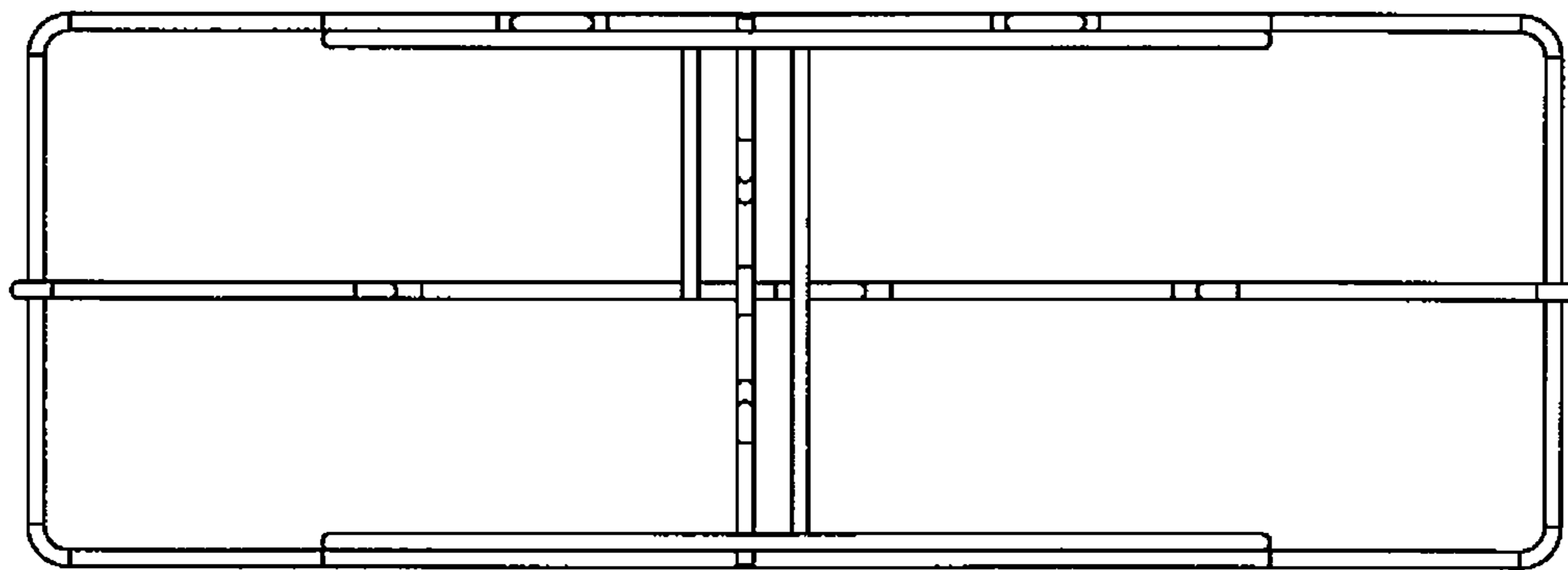


FIG. 6

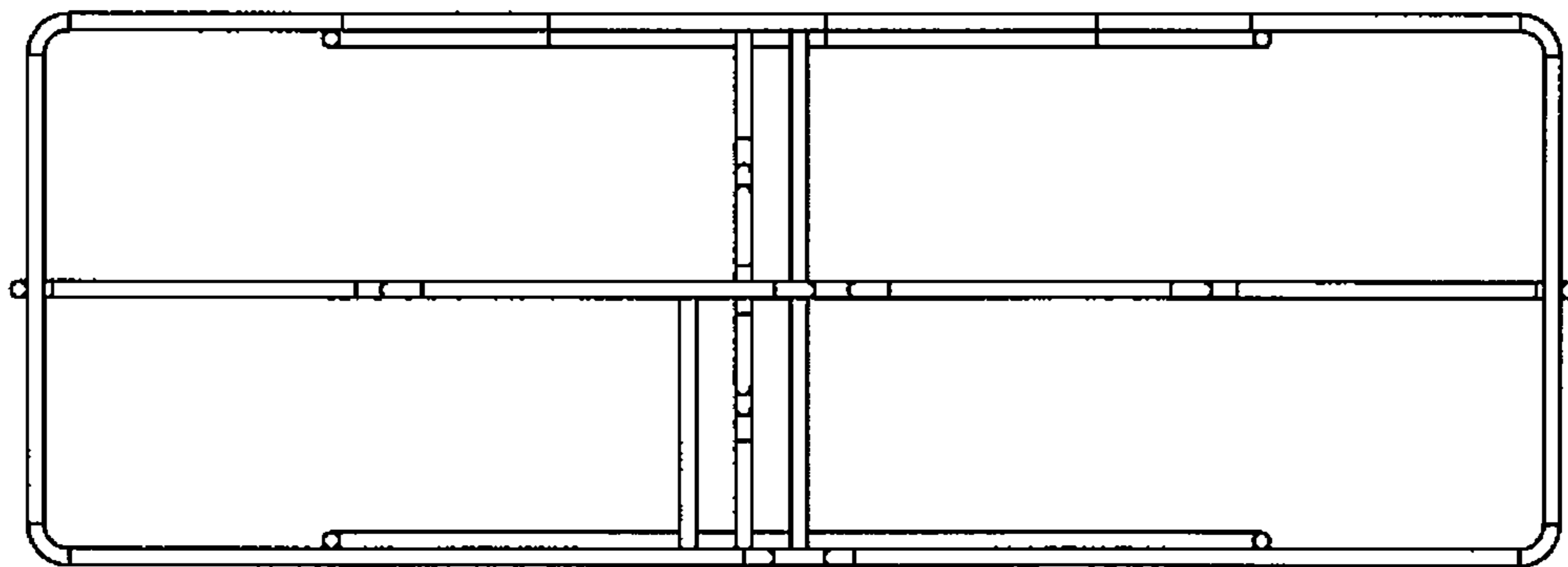


FIG. 7