



US00D684033S

(12) **United States Design Patent**
Preda

(10) **Patent No.:** **US D684,033 S**
(45) **Date of Patent:** **** Jun. 11, 2013**

(54) **DOOR FRAME UNIVERSAL BRACKET**

(75) Inventor: **George Preda**, Kent, WA (US)

(73) Assignee: **George Preda**, Kent, WA (US)

(**) Term: **14 Years**

(21) Appl. No.: **29/395,910**

(22) Filed: **Apr. 19, 2012**

(51) **LOC (9) Cl.** **08-05**

(52) **U.S. Cl.**
USPC **D8/354**

(58) **Field of Classification Search**
USPC D8/354, 380, 349, 382; 248/300,
248/237, 309.1; 52/188, 182, 191, 702, 712,
52/745.06, 189, 506.5, 586.1; 29/464, 428,
29/525.01; 249/14, 208, 205; 403/169, 167
See application file for complete search history.

(56) **References Cited**

U.S. PATENT DOCUMENTS

1,848,085	A *	3/1932	Eisenschmidt	403/187
3,216,160	A *	11/1965	Best	52/189
3,389,515	A *	6/1968	Hellebrand	52/94
D244,748	S *	6/1977	Canterbury	D8/380
D256,663	S *	9/1980	Gilb	D8/354
D364,794	S *	12/1995	Eberschlag	D8/354
D378,986	S *	4/1997	Darula	D8/354
D383,374	S *	9/1997	Sammann	D8/354
D387,970	S *	12/1997	Enslin	D8/349
D391,915	S *	3/1998	Miller	D12/223
D422,886	S *	4/2000	Shea	D8/354
D434,639	S *	12/2000	Willet	D8/354
D472,791	S *	4/2003	Callahan et al.	D8/349
D472,792	S *	4/2003	Callahan et al.	D8/349
D487,867	S *	3/2004	Balaban	D8/354
D492,889	S *	7/2004	Craine	D8/354
D500,667	S *	1/2005	Murphy et al.	D8/354
D511,086	S *	11/2005	Craine	D8/354

D523,735	S *	6/2006	Craine	D8/354
D543,834	S *	6/2007	Worthy	D8/354
D552,947	S *	10/2007	Ewasiuk	D8/5
D558,039	S *	12/2007	Skinner	D8/382
D558,040	S *	12/2007	Skinner	D8/382
D558,041	S *	12/2007	Skinner	D8/382
D574,222	S *	8/2008	Golias et al.	D8/349
D575,220	S *	8/2008	Pockalny	D12/223
7,429,023	B2 *	9/2008	Morrow	248/300
D595,115	S *	6/2009	Royer	D8/354
D599,190	S *	9/2009	Huang	D8/354
D599,643	S *	9/2009	Dinh	D8/354
D612,224	S *	3/2010	Wendt	D8/354
D612,226	S *	3/2010	Dinh	D8/356
D619,879	S *	7/2010	McCarthy et al.	D8/354
D628,460	S *	12/2010	Seitz	D8/354
D631,735	S *	2/2011	Johnson	D8/380
D637,897	S *	5/2011	Tedesco et al.	D8/394

(Continued)

Primary Examiner — Mark Goodwin

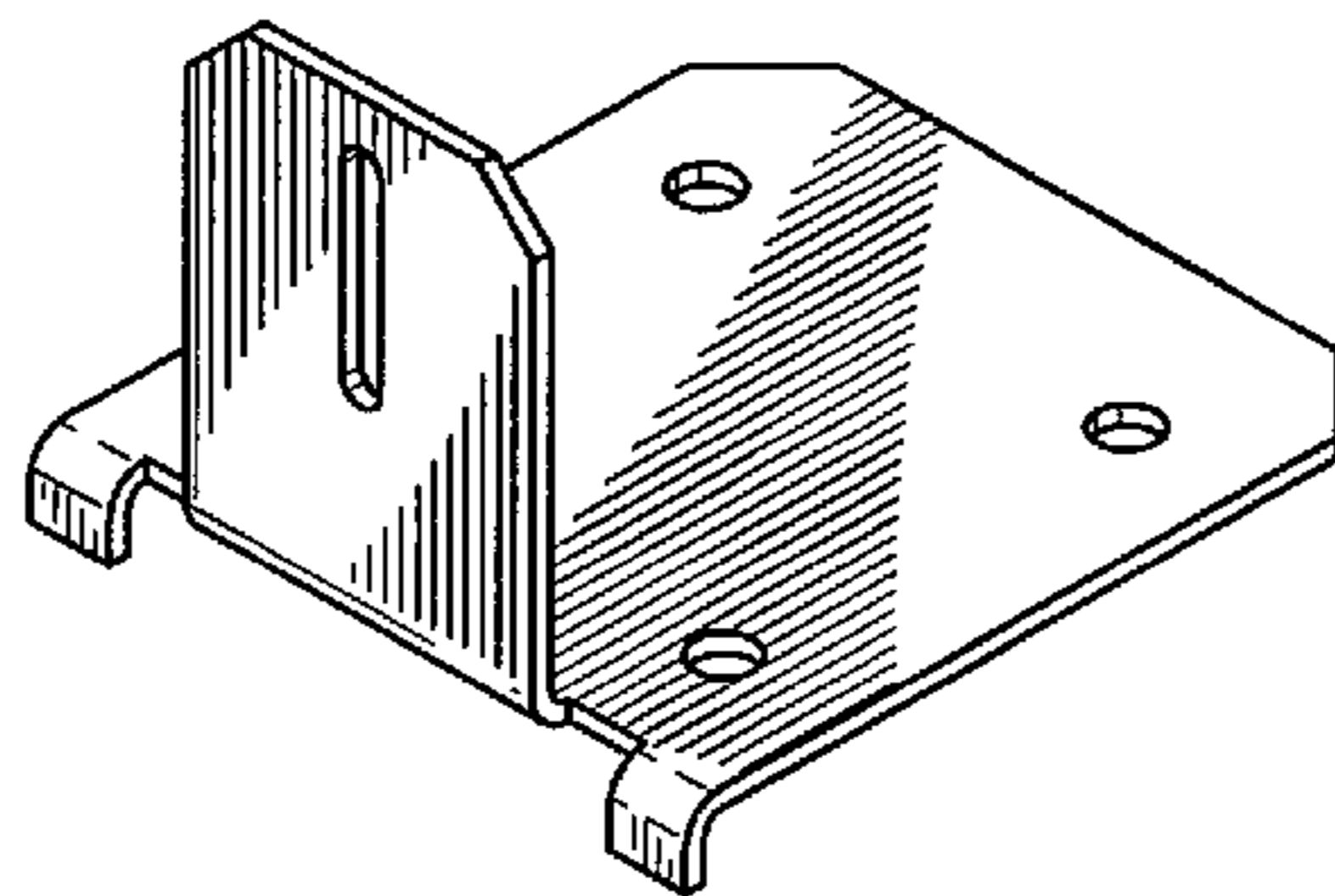
(57) **CLAIM**

The ornamental design for the door frame universal bracket, as shown and described.

DESCRIPTION

FIG. 1. Is a top perspective view of a door frame universal bracket showing my new design;
FIG. 2. Is a top view thereof;
FIG. 3. Is a backside view thereof;
FIG. 4. Is a front view thereof;
FIG. 5. Is a front side view from the left thereof;
FIG. 6. Is a front side view from the right thereof; and,
FIG. 7 is a reduced perspective view thereof shown in use condition.
The broken line showing in FIG. 7 of an extra door frame universal bracket and a door frame is included for the purpose of illustrating environmental structure only and forms no part of the claimed design.

1 Claim, 4 Drawing Sheets



US D684,033 S

Page 2

U.S. PATENT DOCUMENTS			
D646,955 S *	10/2011	Sanders et al.	D8/354
D649,016 S *	11/2011	Rasmussen	D8/354
D654,350 S *	2/2012	Preda	D8/354
D660,132 S *	5/2012	Yoder et al.	D8/354
D660,134 S *	5/2012	Yoder et al.	D8/354
D667,288 S *	9/2012	Preda	D8/354
2002/0112439 A1 *	8/2002	Rosas	52/712
2003/0223807 A1 *	12/2003	Lanphier	403/167

* cited by examiner

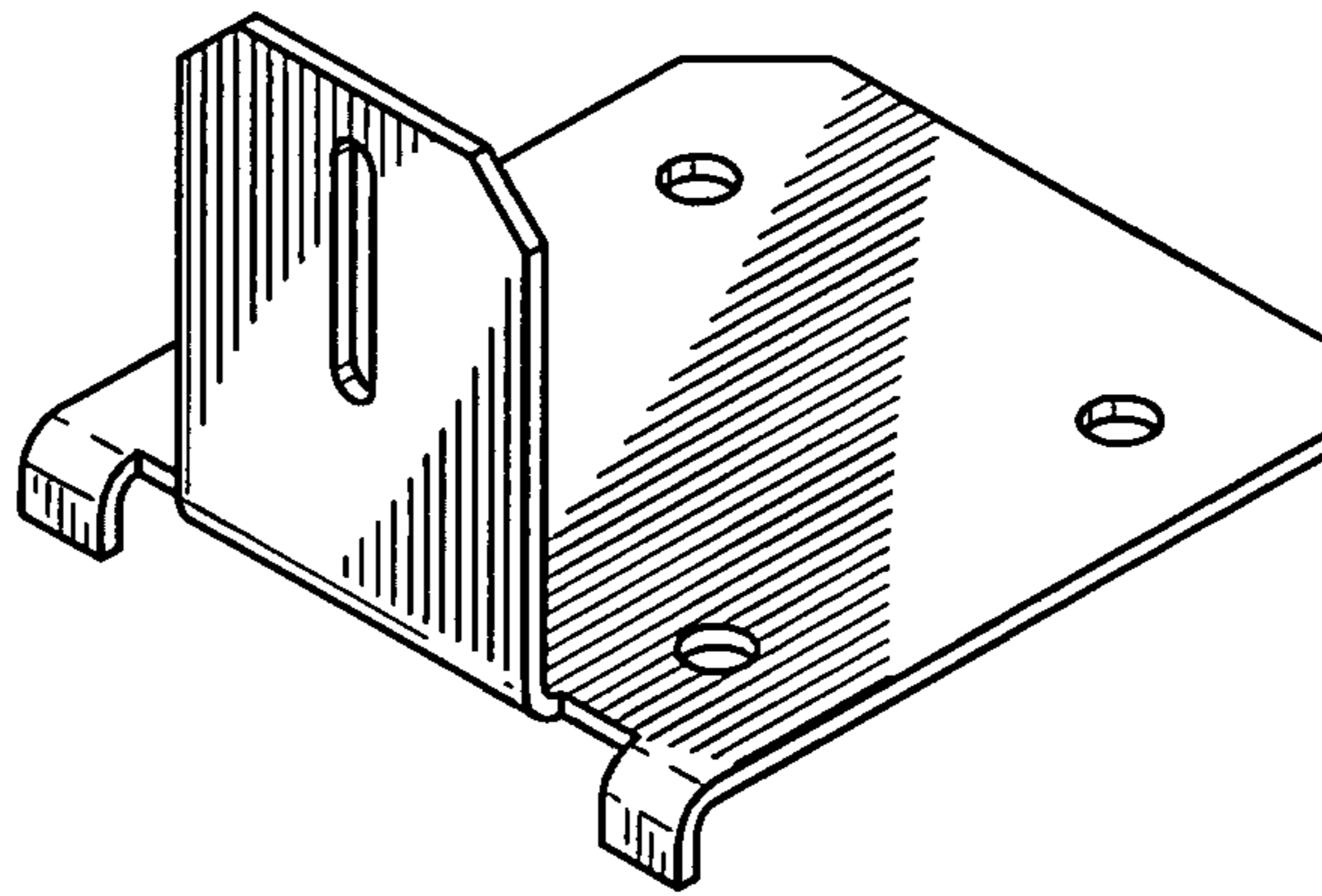


FIG. 1

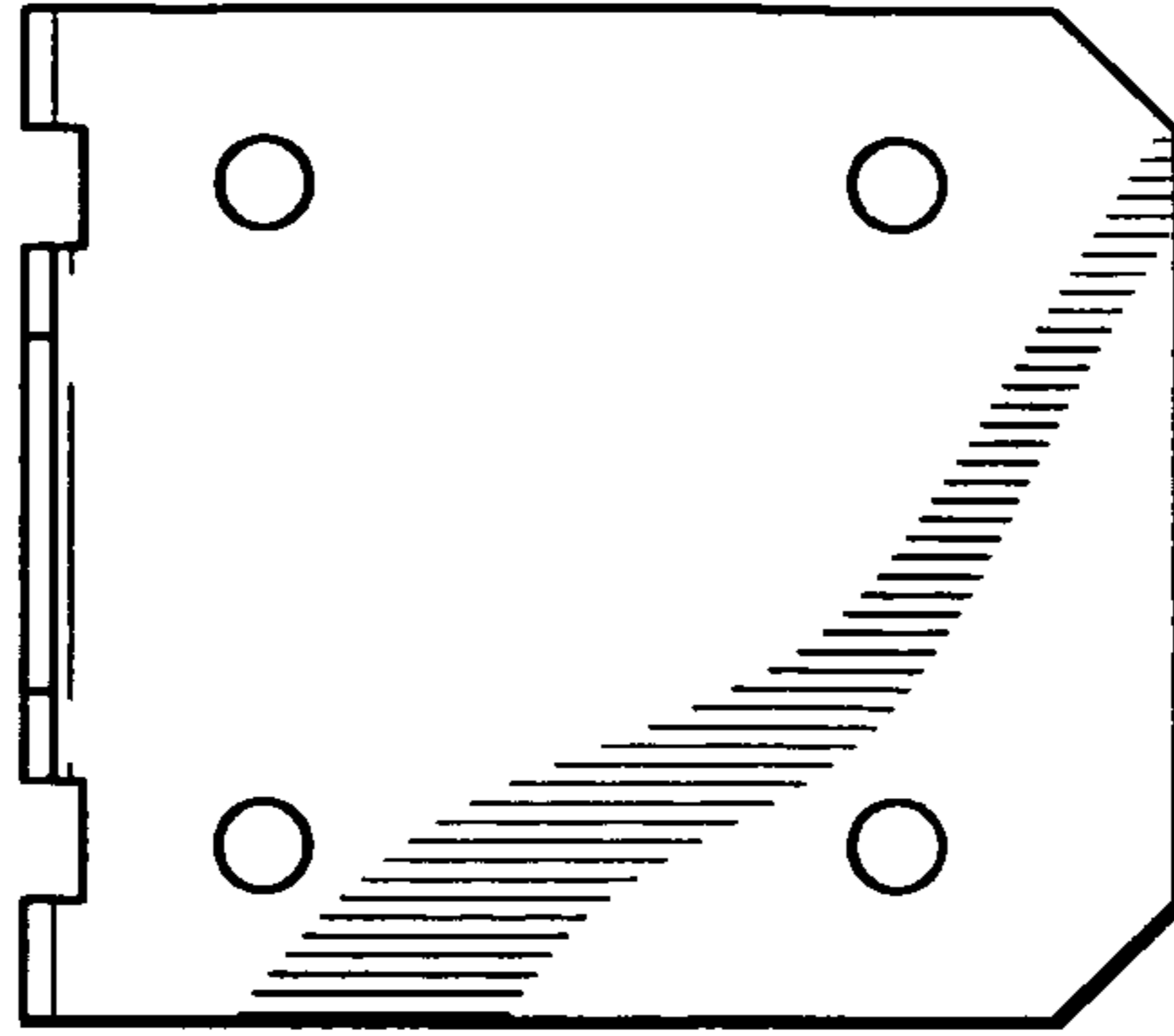


FIG. 2

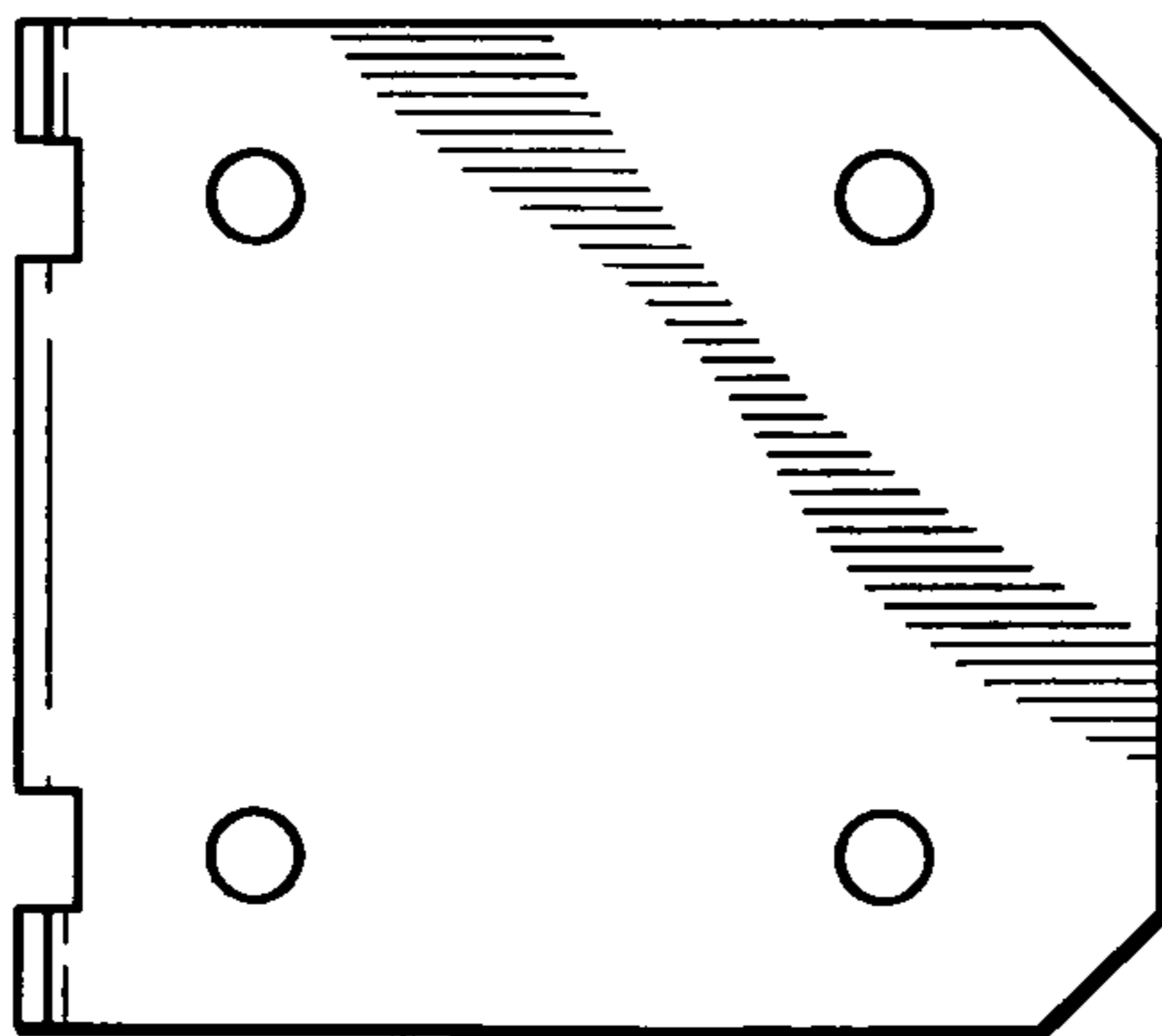


FIG. 3

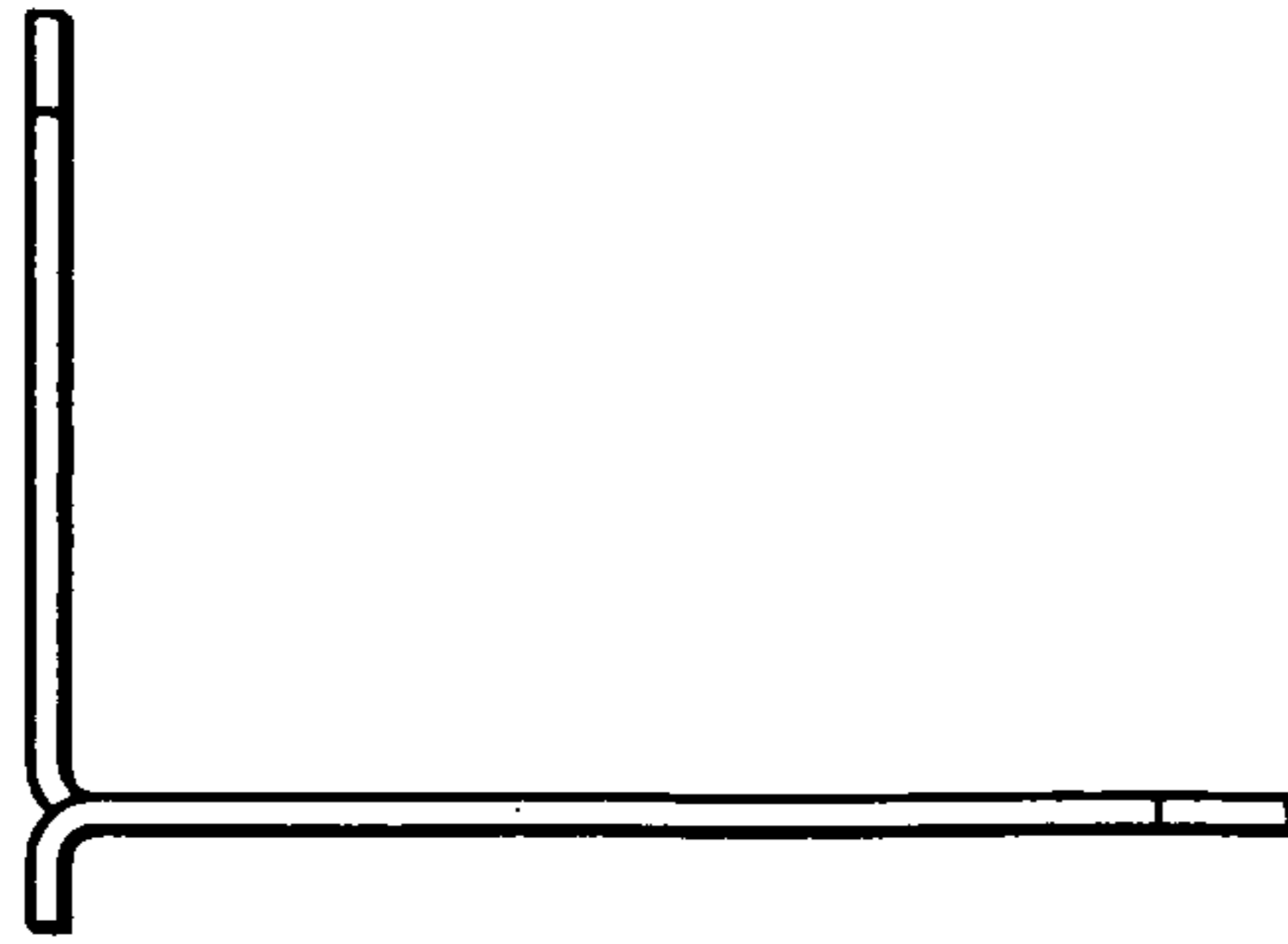


FIG. 4

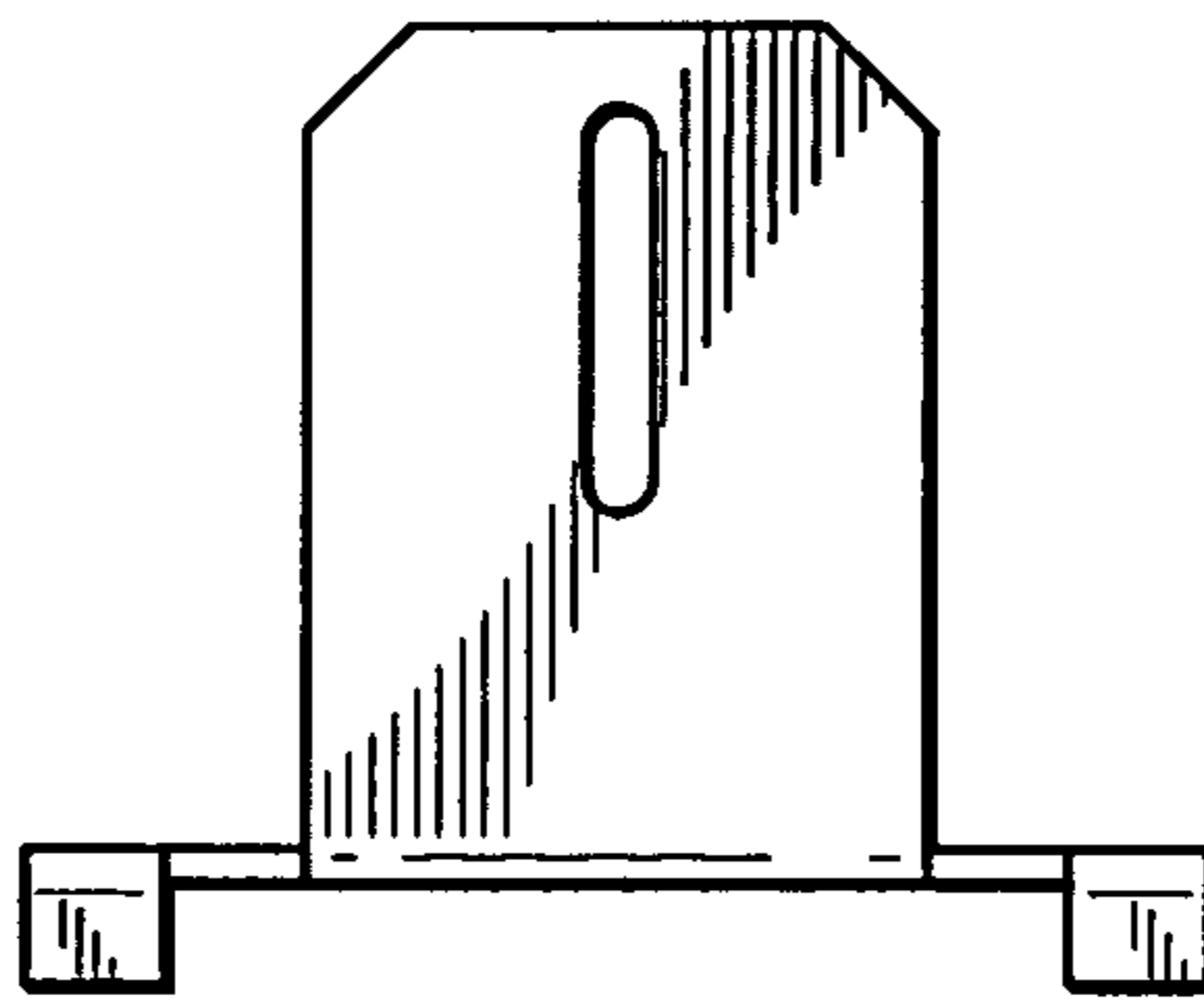


FIG. 5

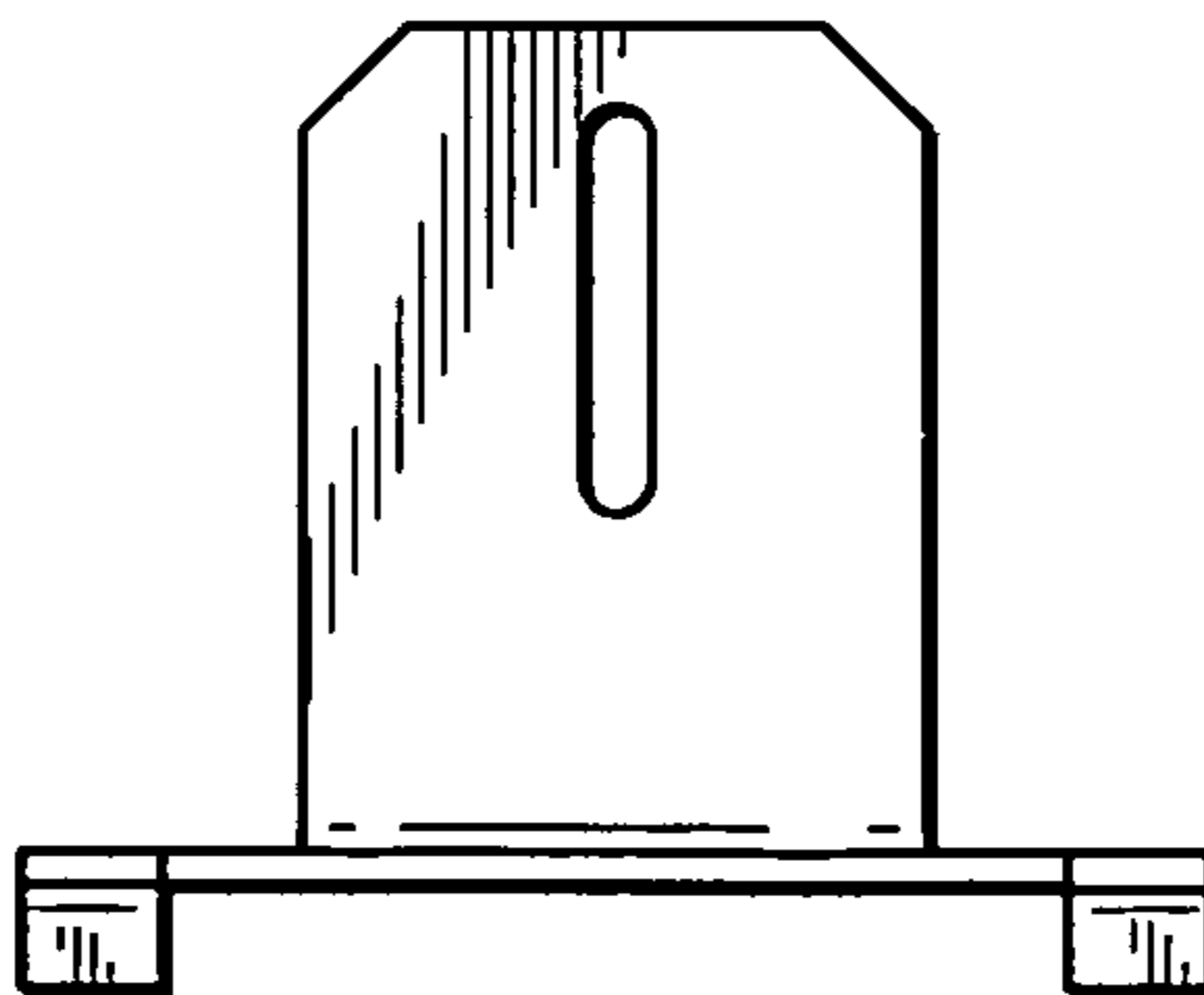


FIG. 6

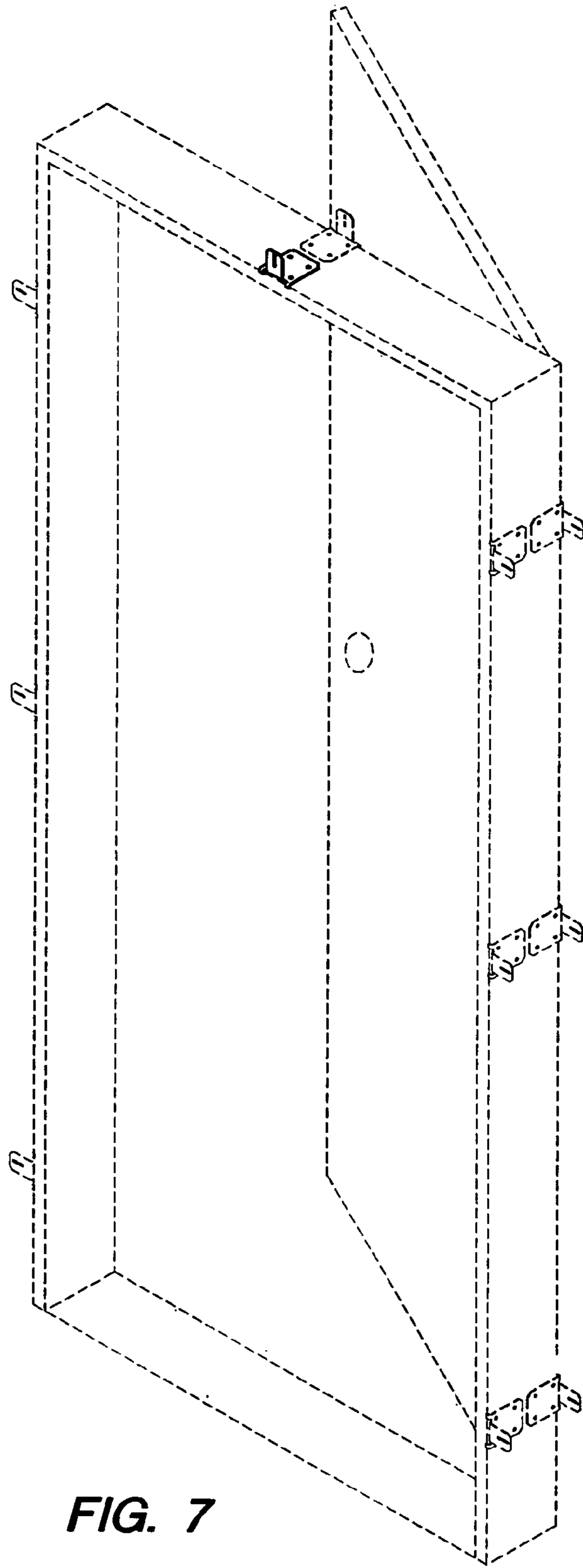


FIG. 7