



US00D684032S

(12) **United States Design Patent**  
**Randle**

(10) **Patent No.:** **US D684,032 S**  
(45) **Date of Patent:** **\*\* Jun. 11, 2013**

(54) **ACCESSORY MOUNTING BRACKET FOR  
FLAT SCREEN MONITORS AND  
TELEVISIONS**

(76) Inventor: **Bernard Randle**, Little Rock, AR (US)

(\*\*) Term: **14 Years**

(21) Appl. No.: **29/373,903**

(22) Filed: **Jun. 7, 2011**

(51) **LOC (9) Cl.** ..... **08-08**

(52) **U.S. Cl.**  
USPC ..... **D8/349**

(58) **Field of Classification Search**  
USPC ..... D8/39, 354, 349, 367, 373, 71, 363,  
D8/380, 382, 370, 381, 499; D25/119, 138,  
D25/121, 124, 125, 126; D34/38; 248/323,  
248/126, 300, 121, 200, 217.3, 127, 158,  
248/176.1, 309.1; 206/512, 504, 585, 821;  
411/466, 920; 52/715, 122.1, 204.5,  
238.1-243.1, 285.2, 394, 395, 578, 582.1,  
52/584.1, 589.1; 108/53.1, 53.3, 53.5, 55.3,  
108/55.5, 55.1, 56.3, 42, 90; D14/239, 299,  
D14/125, 126; D6/574, 567

See application file for complete search history.

(56) **References Cited**

**U.S. PATENT DOCUMENTS**

2,045,965	A	6/1936	Rosen	
2,131,214	A	9/1938	Bentz	
2,721,777	A *	10/1955	Willis	108/44
2,834,968	A	5/1958	Hefley	
3,930,701	A	1/1976	Otakie	
4,154,420	A *	5/1979	Mazie et al.	248/251
D281,211	S *	11/1985	Beach	D6/572
D281,383	S *	11/1985	Beach	D6/572
D301,523	S *	6/1989	Barbieri et al.	D6/323
4,958,907	A *	9/1990	Davis	359/809
D327,501	S *	6/1992	Maloney	D19/88
D327,641	S *	7/1992	Hoskinson et al.	D8/370

D332,212	S *	1/1993	Mitchell et al.	D8/380
D338,194	S *	8/1993	Hartwig	D14/450
5,370,246	A	12/1994	Traynor	
5,779,206	A	7/1998	Harris	
5,823,366	A *	10/1998	Bellamy	211/119.011
5,842,423	A	12/1998	Stranford	
6,168,125	B1 *	1/2001	Winger et al.	248/228.3
6,170,408	B1 *	1/2001	Gombrich	108/90
6,585,203	B1	7/2003	Euker	
D584,707	S *	1/2009	Rieu Piquet	D14/129
D588,118	S *	3/2009	Townsend et al.	D14/239
7,533,618	B2	5/2009	Thomason	
7,611,117	B1	11/2009	Lang, Jr.	
D612,182	S *	3/2010	Bremmon et al.	D6/567
D614,611	S *	4/2010	Leung	D14/239

(Continued)

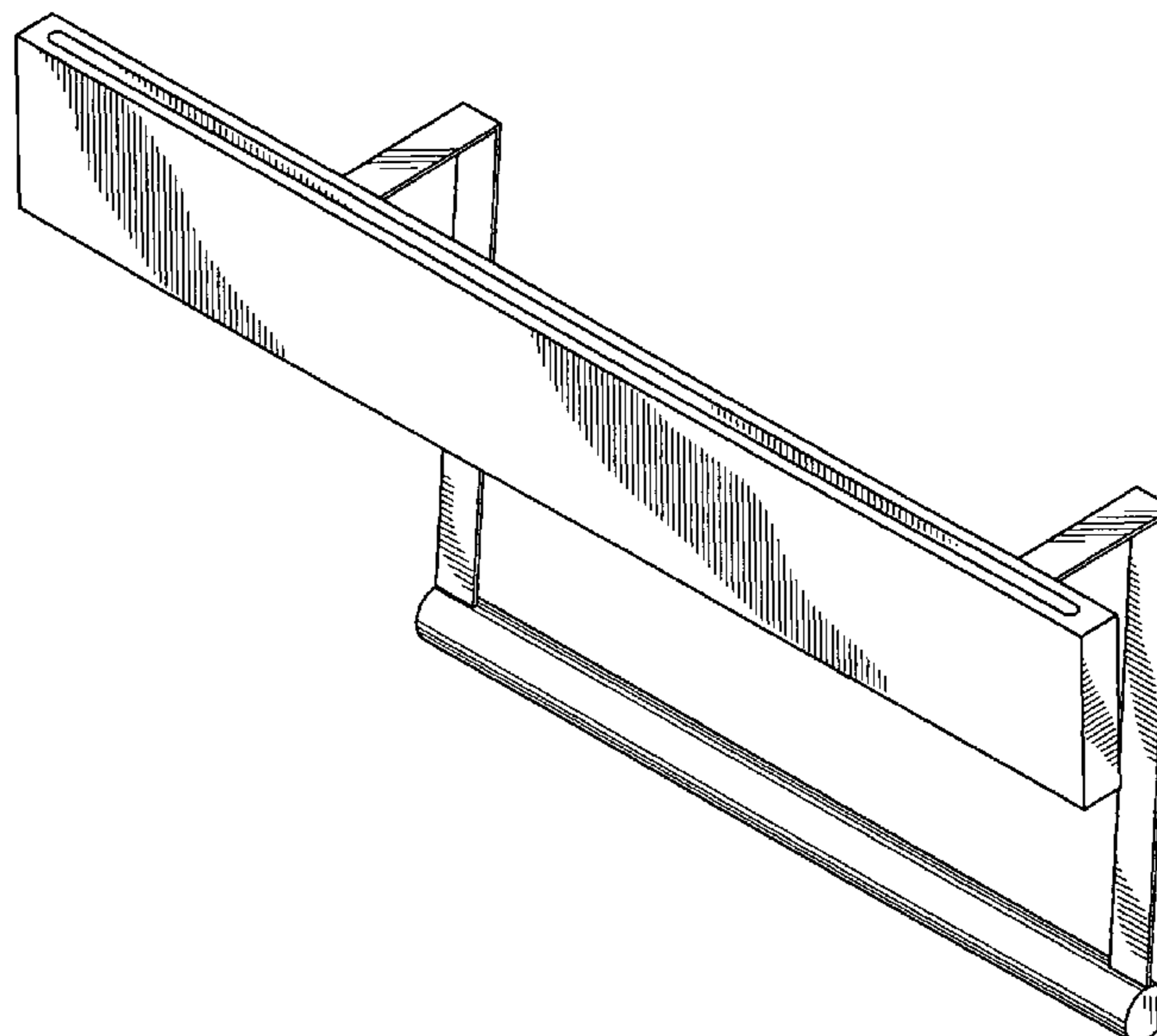
*Primary Examiner* — Mark Goodwin  
(74) *Attorney, Agent, or Firm* — Stephen D. Carver

(57) **CLAIM**  
The ornamental design for an accessory mounting bracket for flat screen monitors and televisions, as shown and described.

**DESCRIPTION**

FIG. 1 is a frontal isometric view of my accessory mounting bracket for flat screen monitors and televisions, showing my new design;  
FIG. 2 is a rear isometric view thereof;  
FIG. 3 is a front elevational view thereof;  
FIG. 4 is a rear elevational view thereof;  
FIG. 5 is a top plan view thereof;  
FIG. 6 is a bottom plan view thereof;  
FIG. 7 is an environmental view, with the environment shown in dashed lines;  
FIG. 8 is a left side elevational view thereof; and,  
FIG. 9 is a right side elevational view thereof.  
The broken line showing of a television in FIGS. 7 and 9 is included for the purpose of illustrating environmental structure only and forms no part of the claimed design.

**1 Claim, 8 Drawing Sheets**



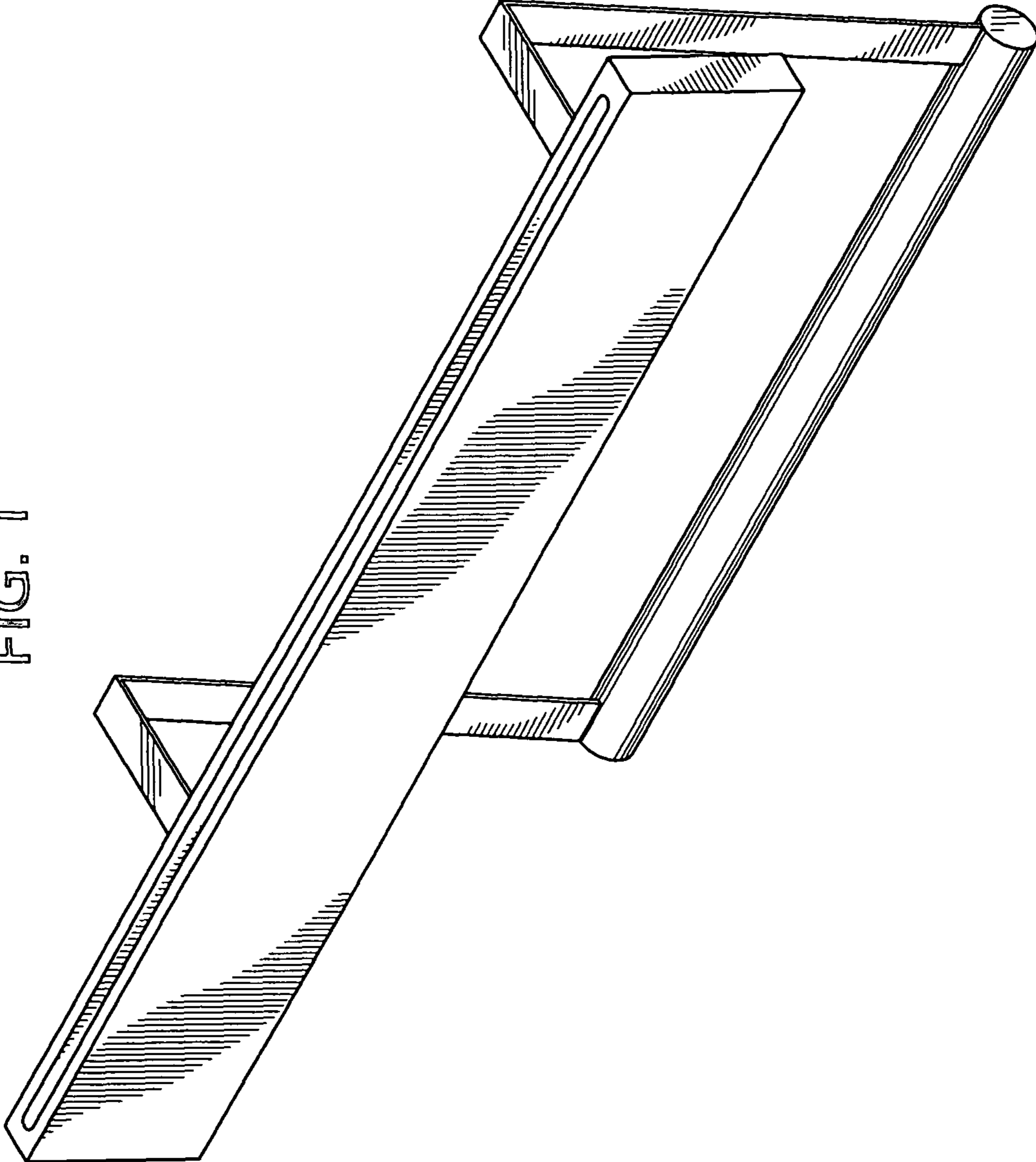
# US D684,032 S

Page 2

---

U.S. PATENT DOCUMENTS		2006/0238662 A1*	10/2006	McGivern et al. ....	348/836
D635,804 S *	4/2011 North .....	D6/511			
7,922,132 B2 *	4/2011 Saez et al. ....	248/124.1			
					* cited by examiner

FIG. 1



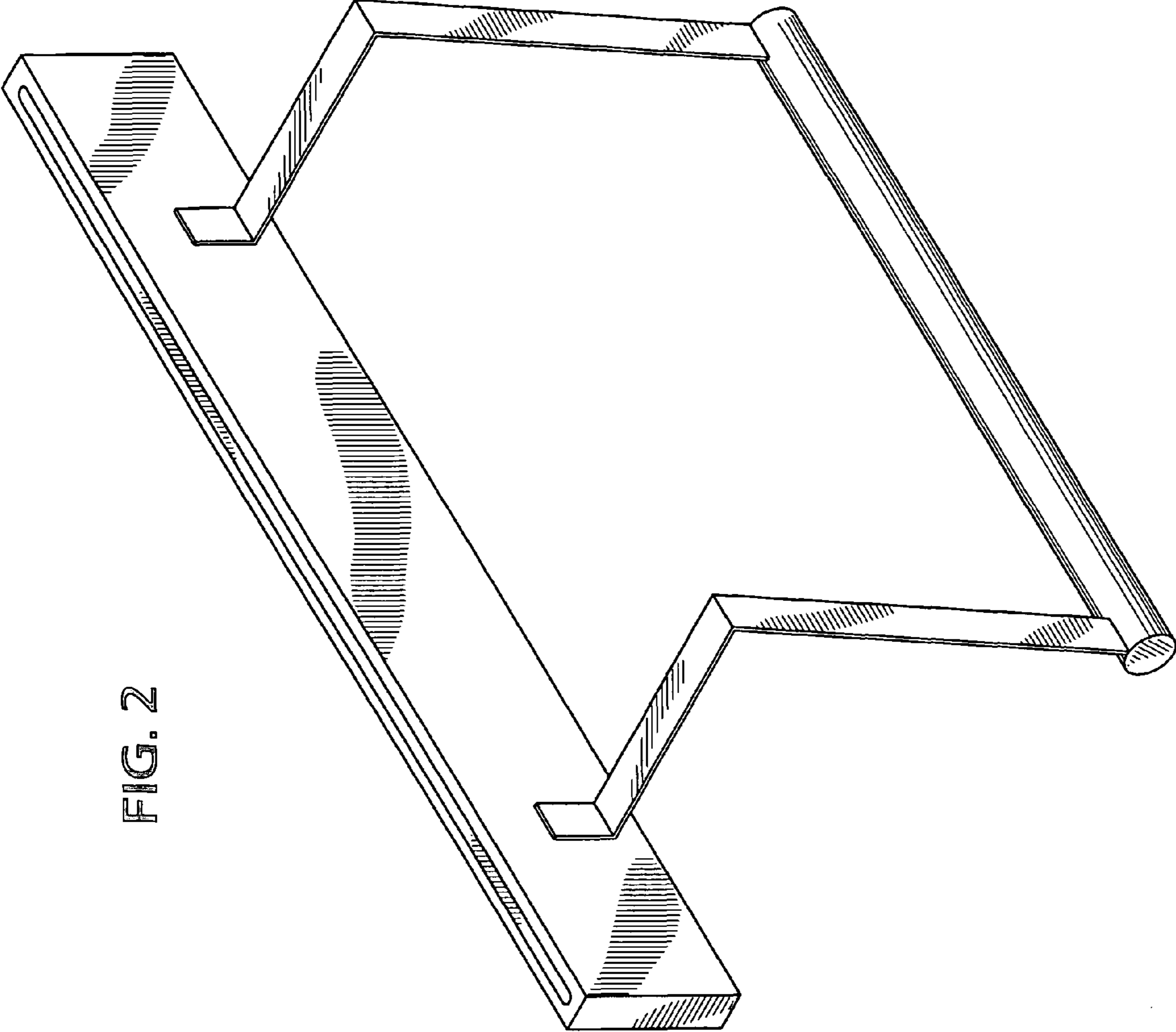


FIG. 2

FIG. 3

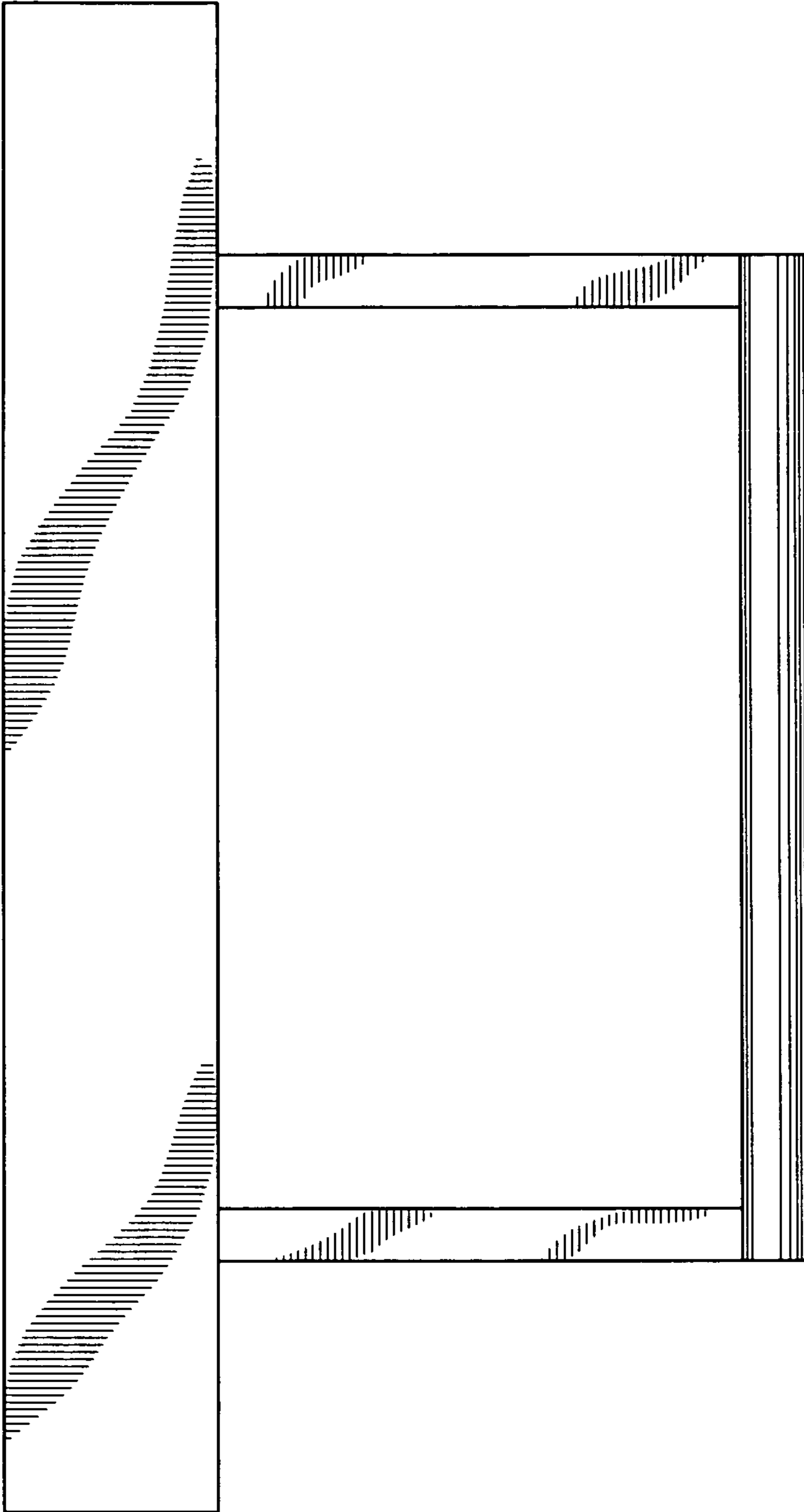


FIG. 4

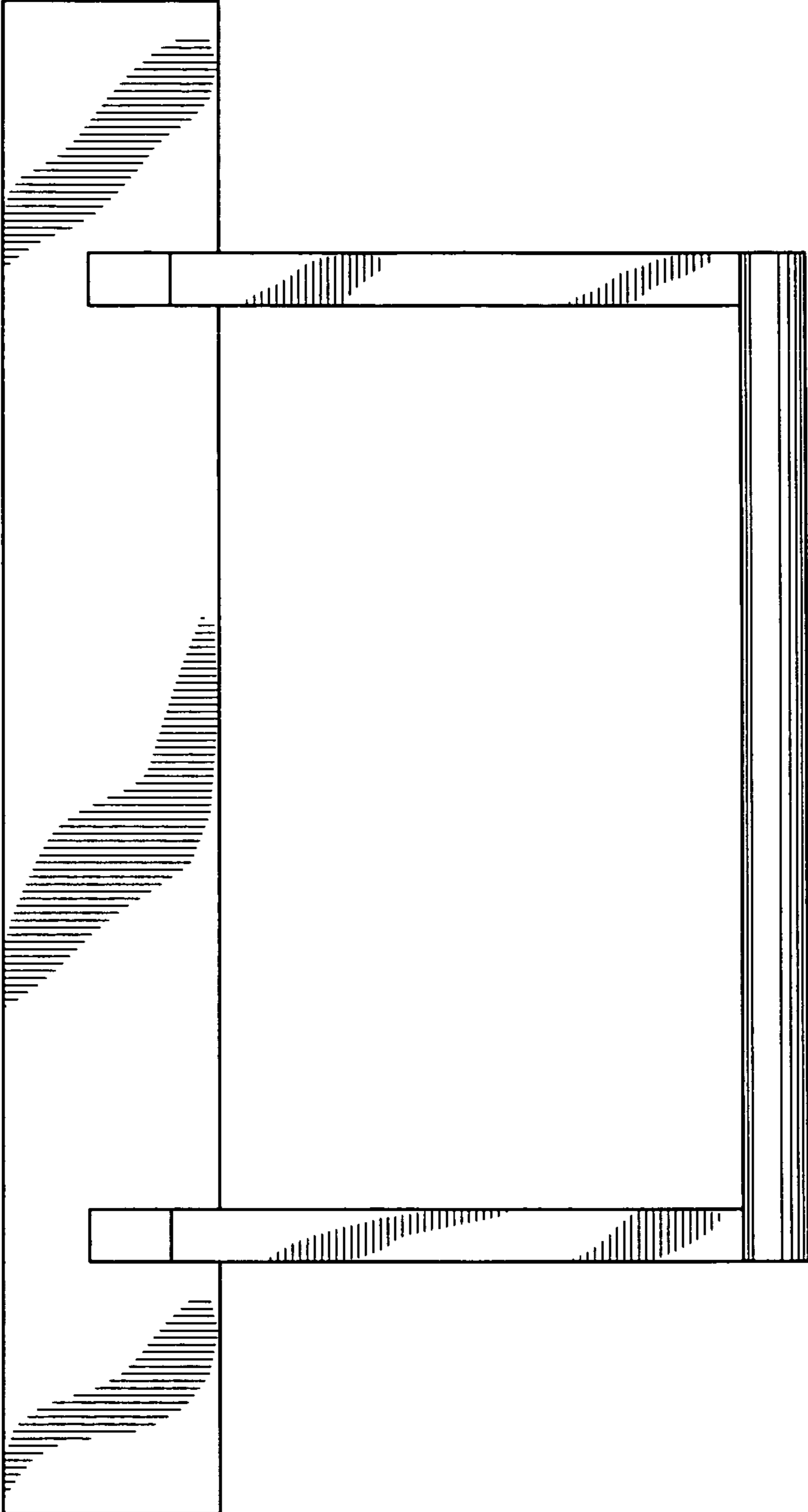


FIG. 5

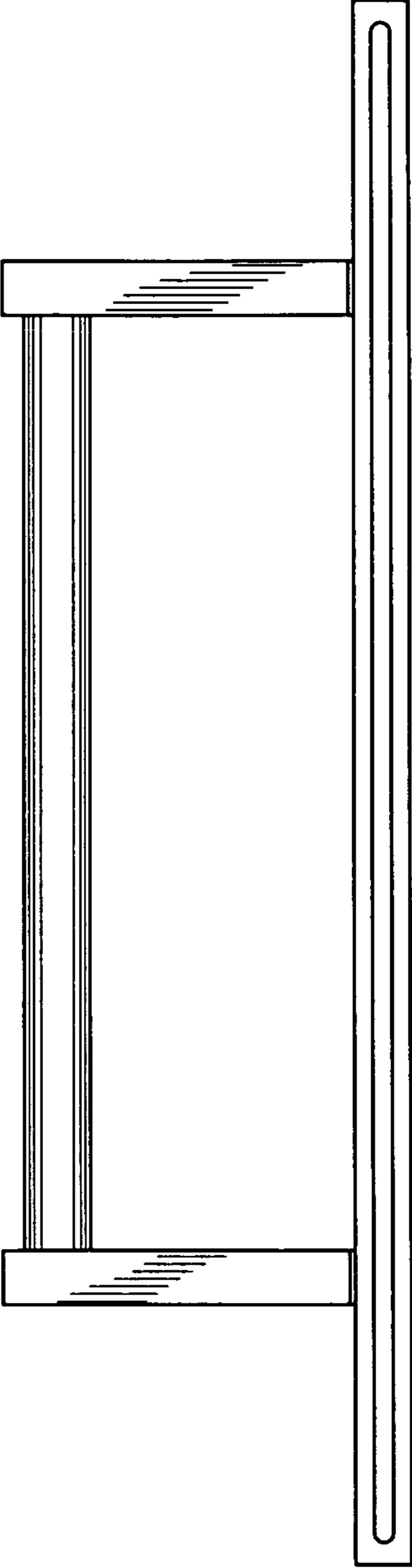


FIG. 6

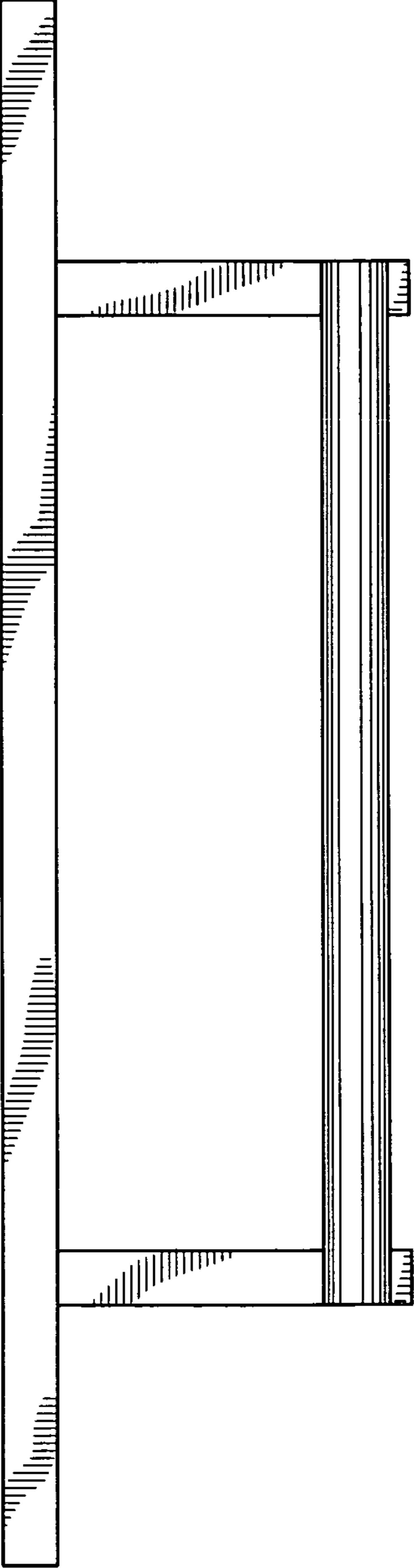




FIG. 7

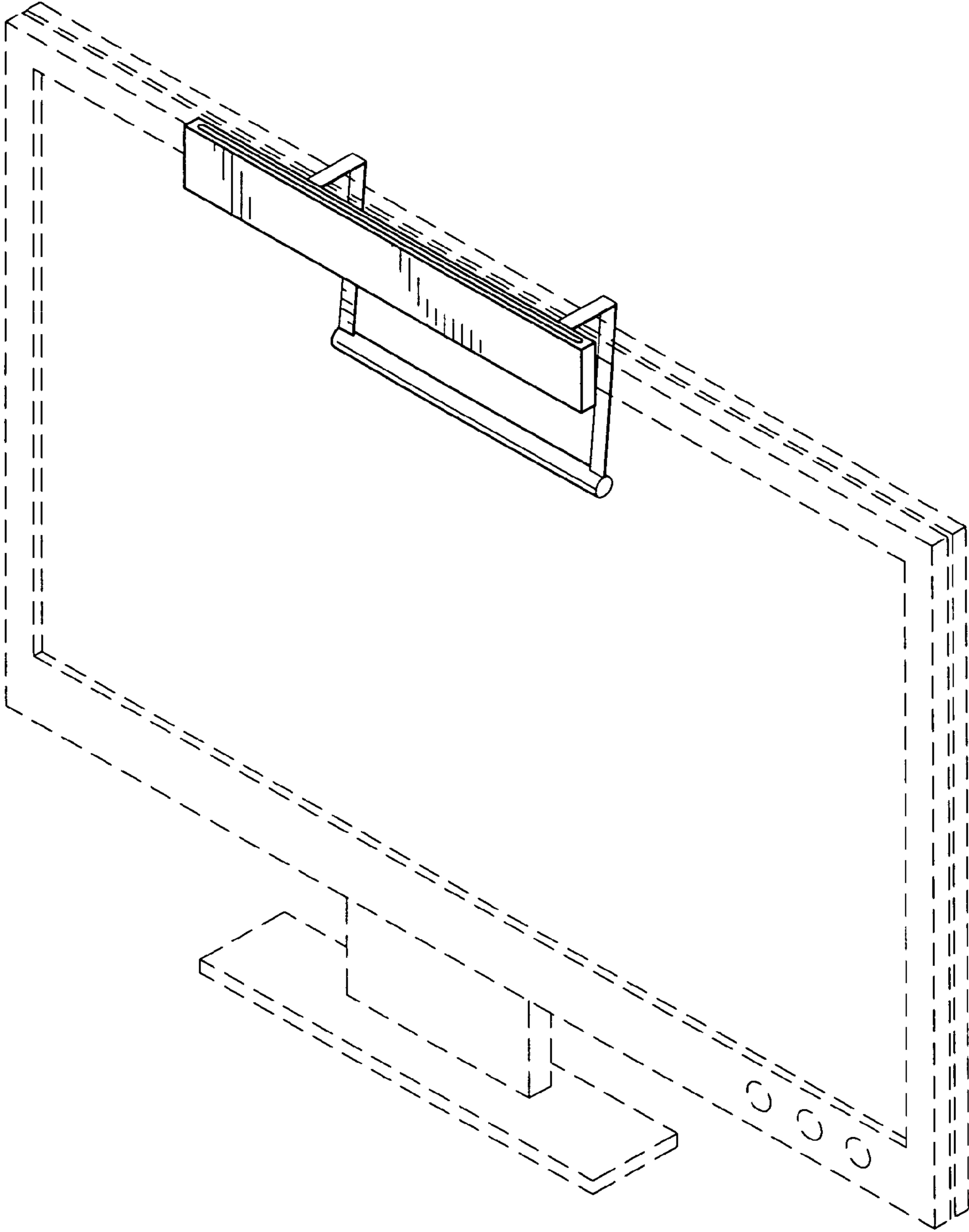


FIG. 8

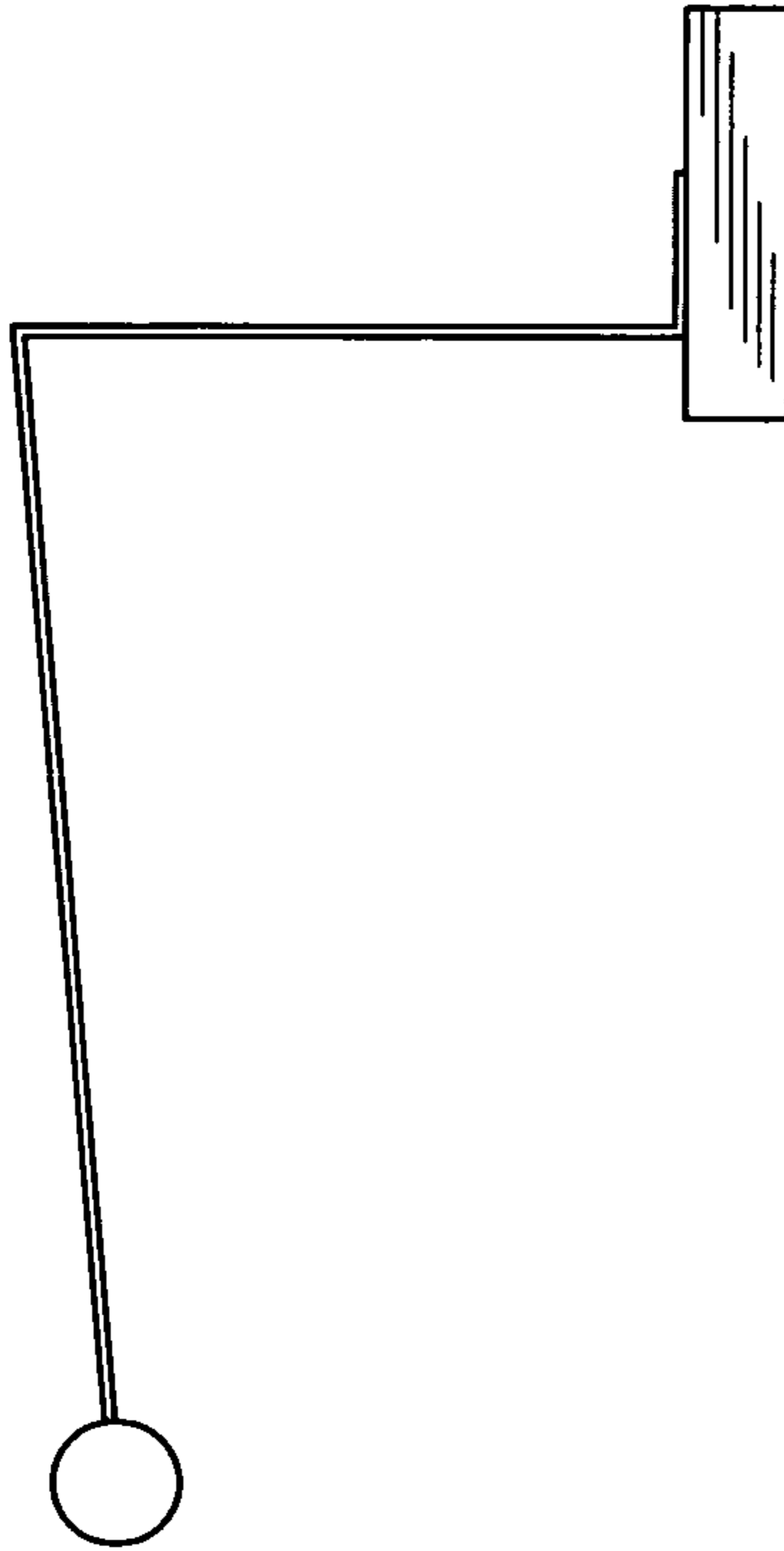


FIG. 9

