

US00D684031S

(12) **United States Design Patent**  
**Block et al.**

(10) **Patent No.:** **US D684,031 S**  
(45) **Date of Patent:** **\*\* Jun. 11, 2013**

(54) **SAW HANDLE**  
(75) Inventors: **Andrew P. Block**, Middleton, WI (US);  
**Colin Roberts**, Stevens Points, WI (US);  
**Daniel J. Lipscomb**, Prairie du Sac, WI  
(US); **Scott Roelke**, Marshall, WI (US)  
(73) Assignee: **Fiskars Brands, Inc.**, Madison, WI (US)  
(\*\*) Term: **14 Years**

D361,700 S 8/1995 Birkholz  
D362,162 S 9/1995 Wensley  
D369,531 S 5/1996 Birkholz  
D375,036 S 10/1996 David et al.  
D377,588 S 1/1997 Birkholz  
D383,049 S 9/1997 Concari et al.  
D383,370 S 9/1997 Chen et al.  
D387,649 S 12/1997 Concari et al.  
D393,193 S 4/1998 Schneider et al.  
D420,560 S \* 2/2000 Hepworth ..... D8/99  
D469,323 S 1/2003 Lindén  
D472,786 S 4/2003 Cech et al.

(Continued)

(21) Appl. No.: **29/388,574**  
(22) Filed: **Mar. 30, 2011**  
(51) **LOC (9) Cl.** ..... **08-03**  
(52) **U.S. Cl.**  
USPC ..... **D8/97**  
(58) **Field of Classification Search**  
USPC D8/7, 95, 97-99, 105, 107, 9; 7/148; 30/144,  
30/166.3, 350, 343, 510, 514, 517-518  
See application file for complete search history.

*Primary Examiner* — Philip S Hyder  
*Assistant Examiner* — Roselynn Cody  
(74) *Attorney, Agent, or Firm* — Foley & Lardner LLP

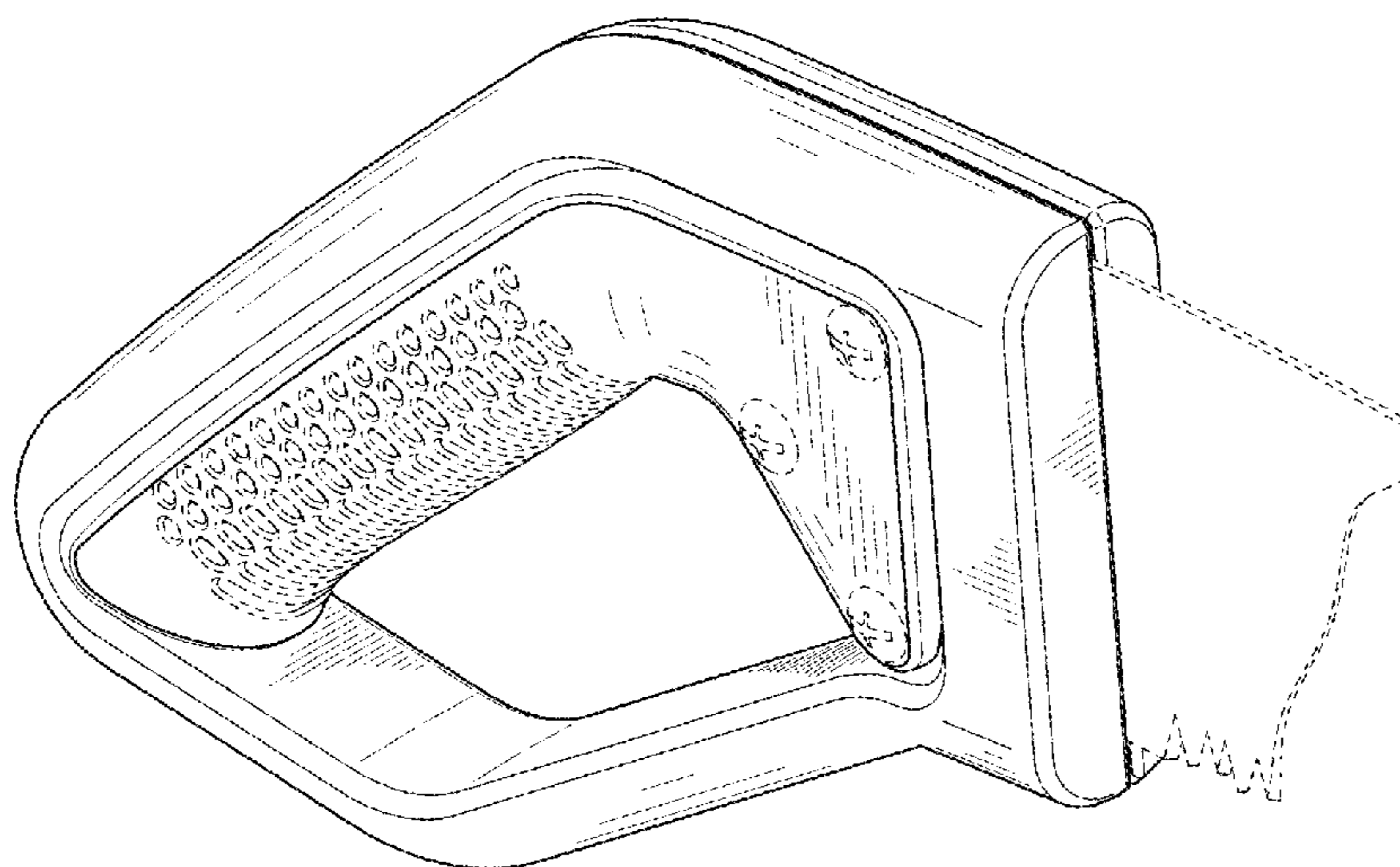
(57) **CLAIM**  
We claim the ornamental design for a saw handle, as shown  
and described.

**DESCRIPTION**

FIG. 1 is a perspective view of a saw handle showing the  
claimed design.  
FIG. 2 is a front elevation view of the claimed design of FIG.  
1.  
FIG. 3 is a back elevation view of the claimed design of FIG.  
1.  
FIG. 4 is a top view of the claimed design of FIG. 1.  
FIG. 5 is a bottom view of the claimed design of FIG. 1.  
FIG. 6 is a left side elevation view of the claimed design of  
FIG. 1; and,  
FIG. 7 is a right side elevation view of the claimed design of  
FIG. 1.  
The ornamental design which is claimed is shown in solid  
lines in the drawings. The broken lines in the drawings are for  
illustrative purposes only and form no part of the claimed  
design.

(56) **References Cited**  
**U.S. PATENT DOCUMENTS**  
1,060,312 A \* 4/1913 Bradley ..... 30/510  
2,014,722 A \* 9/1935 Damon ..... 30/510  
2,361,256 A \* 10/1944 Barland ..... 30/517  
2,849,039 A \* 8/1958 Dreier ..... 30/524  
D237,140 S \* 10/1975 Andersson ..... D8/95  
D259,328 S \* 5/1981 Covey ..... D8/97  
D279,254 S 6/1985 Smith et al.  
D305,495 S 1/1990 Carter  
D310,318 S \* 9/1990 Backman ..... D8/95  
D321,119 S \* 10/1991 Ciccone et al. .... D8/97  
D335,807 S 5/1993 Birkholz  
D346,542 S 5/1994 Birkholz  
D350,466 S 9/1994 Ramsey et al.  
D353,087 S 12/1994 Ramsey et al.  
D357,166 S 4/1995 Concari  
D359,427 S 6/1995 Birkholz  
D359,890 S 7/1995 Wensley

**1 Claim, 3 Drawing Sheets**



# US D684,031 S

Page 2

---

## U.S. PATENT DOCUMENTS

D474,094 S	*	5/2003	Takahashi .....	D8/97	D582,243 S	12/2008	Freeman et al.
D493,685 S		8/2004	Dallas		D582,747 S	12/2008	Freeman et al.
D519,798 S		5/2006	Dallas		D610,646 S	2/2010	Harsey, Jr. et al.
D519,818 S		5/2006	Knopow et al.		D611,793 S	3/2010	Trewartha et al.
D546,143 S		7/2007	Lipscomb et al.		D614,473 S	4/2010	Freeman et al.
D553,468 S		10/2007	Freeman		D614,933 S	5/2010	Freeman et al.
D581,241 S		11/2008	Freeman		D623,040 S	9/2010	Freeman et al.

\* cited by examiner

FIGURE 1

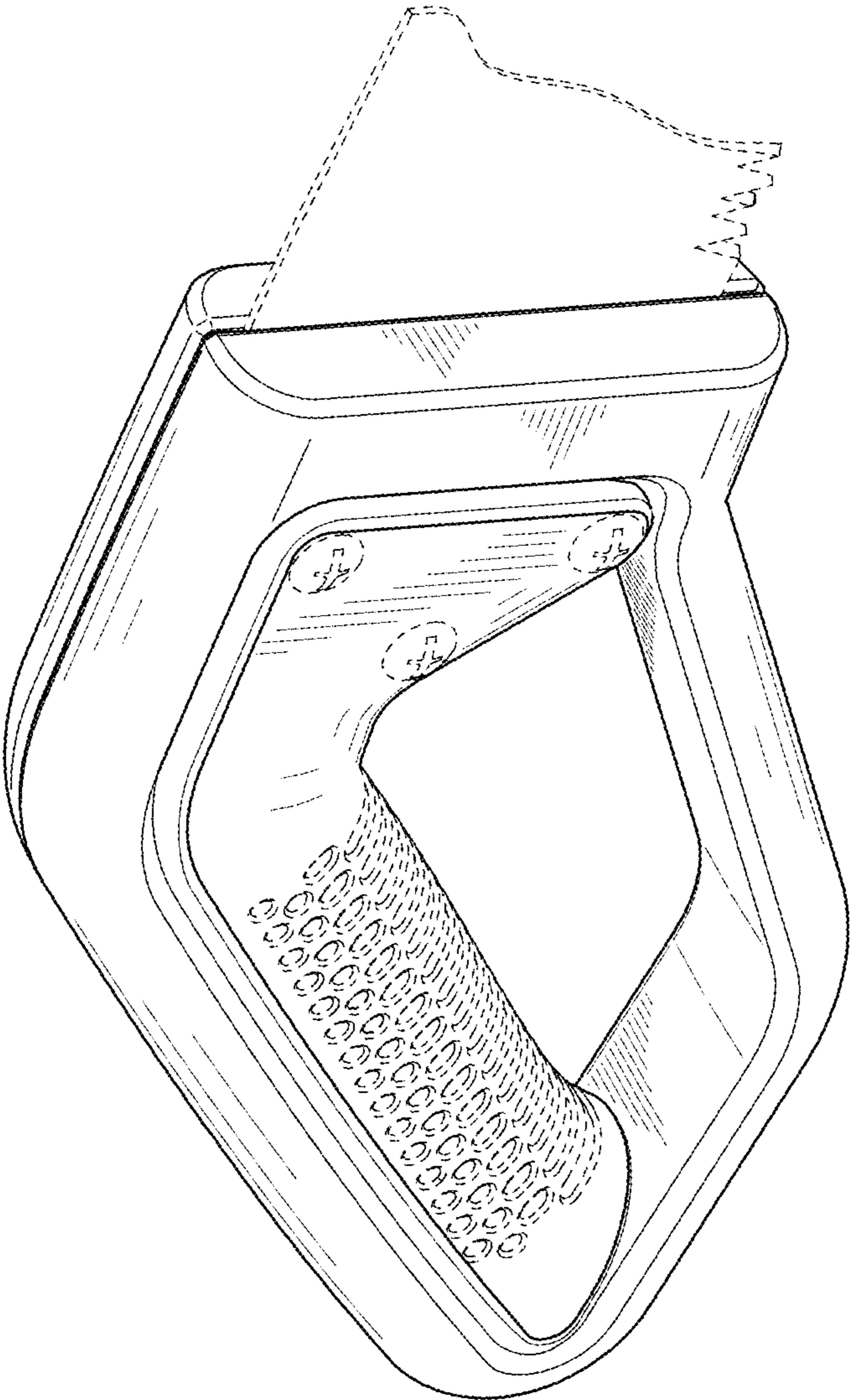


FIGURE 2

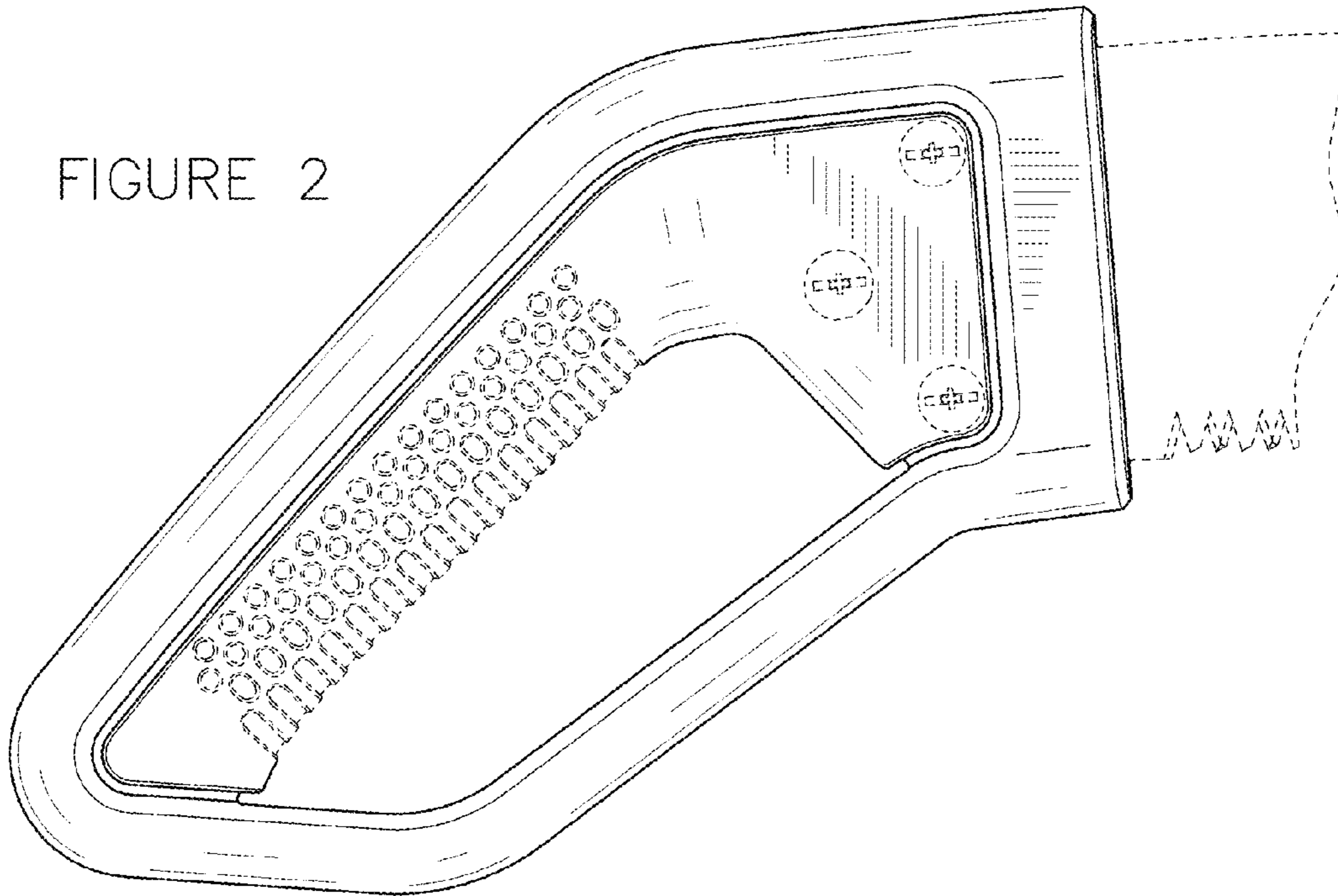


FIGURE 3

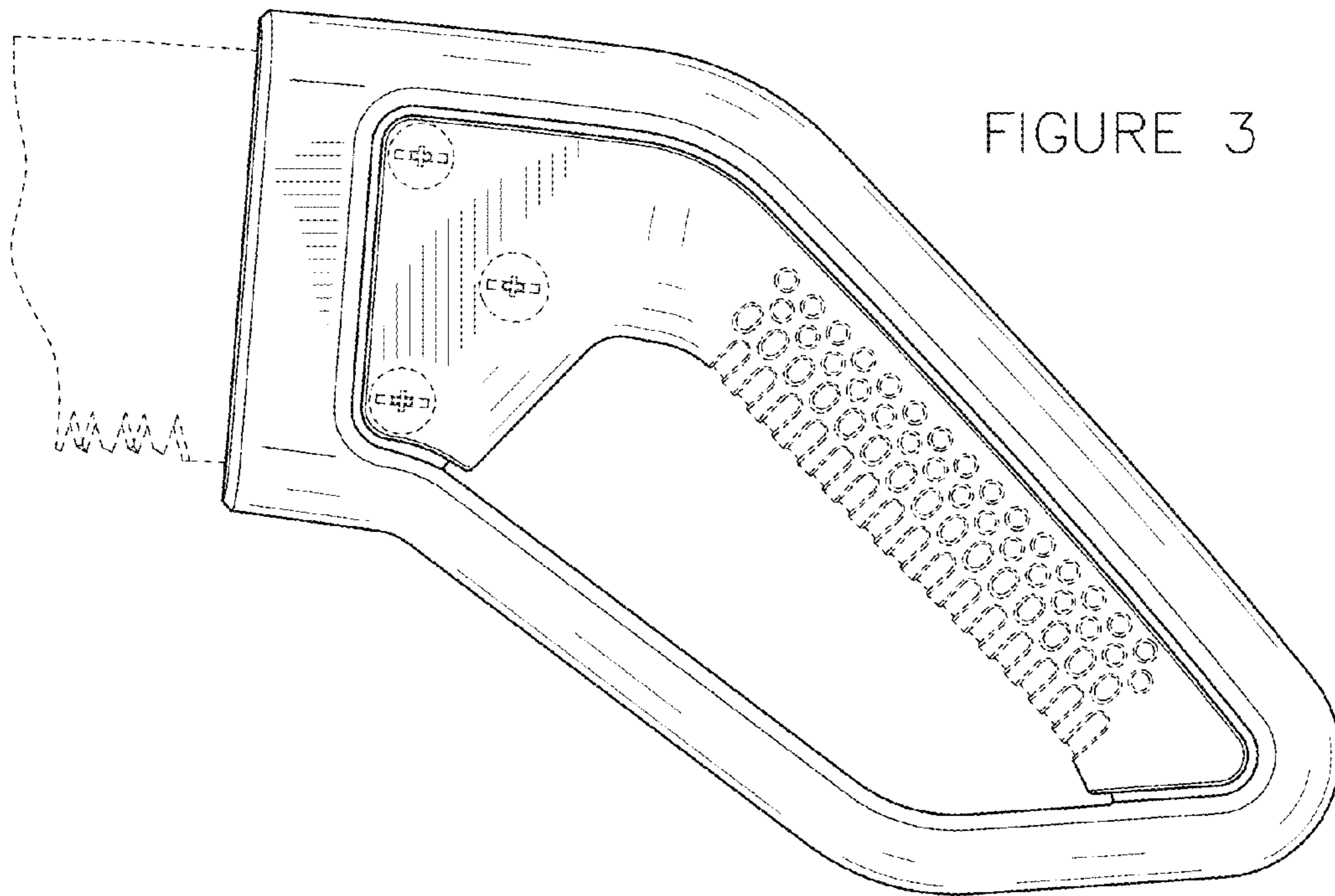


FIGURE 4

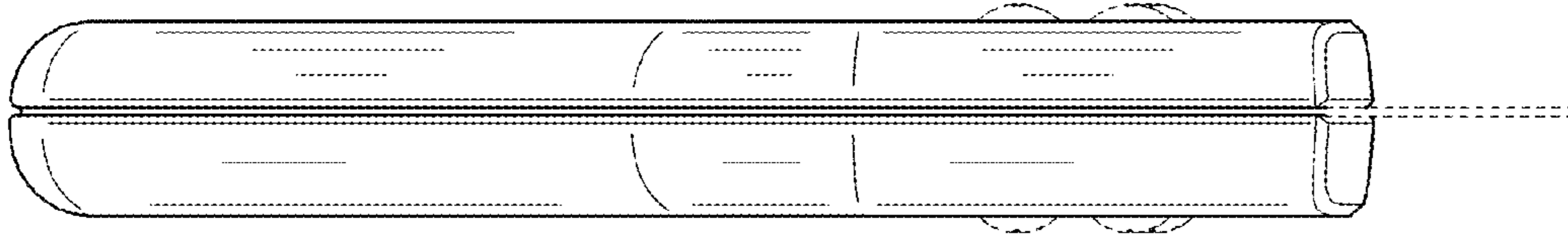


FIGURE 5

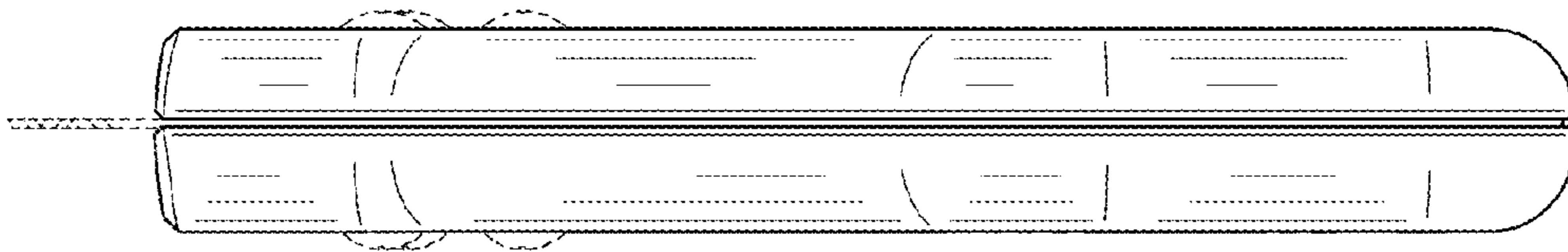


FIGURE 6

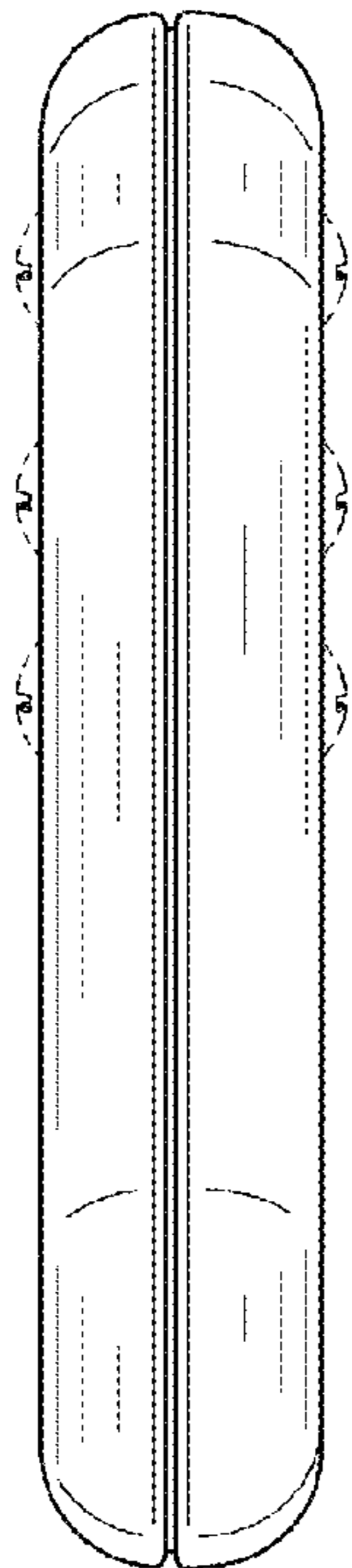


FIGURE 7

