



US00D684030S

(12) **United States Design Patent**
Harvey

(10) **Patent No.:** **US D684,030 S**
(45) **Date of Patent:** **** Jun. 11, 2013**

(54) **CAP WRENCH DISPLAY FIXTURE**

(75) Inventor: **Joshua Harvey**, Issaquah, WA (US)

(73) Assignee: **Wilmar Corporation**, Renton, WA (US)

(**) Term: **14 Years**

(21) Appl. No.: **29/412,175**

(22) Filed: **Jan. 31, 2012**

(51) **LOC (9) Cl.** **08-05**

(52) **U.S. Cl.**
USPC **D8/71**; 211/70.6; 206/376

(58) **Field of Classification Search**
USPC D8/71, 382, 396; D9/456; D6/566,
D6/567; 211/59.1, 59.2, 70.6, 204, 207, 208;
206/349, 372, 373, 376, 443, 562, 564; 248/174,
248/220.31; D3/25

See application file for complete search history.

(56) **References Cited**

U.S. PATENT DOCUMENTS

2,625,345	A *	1/1953	De Palma	242/139
3,948,396	A *	4/1976	Upton et al.	211/59.1
4,688,672	A *	8/1987	Pemberton	206/378
5,040,708	A *	8/1991	Blair et al.	223/106
5,511,673	A *	4/1996	Folk	211/70.6
D371,233	S *	7/1996	Kelly	D3/25
D373,792	S *	9/1996	Wall	D19/64
5,743,394	A *	4/1998	Martin	206/378
5,743,416	A *	4/1998	Yemini	211/70.6
5,823,364	A *	10/1998	Mucciacciaro	211/70.6
D460,295	S *	7/2002	Fissell et al.	D6/467
D481,920	S *	11/2003	Winig et al.	D8/71
D494,048	S *	8/2004	Goodman et al.	D8/372
D501,125	S *	1/2005	Winig et al.	D8/71
D520,570	S *	5/2006	Ruegg	D21/345
7,210,660	B2 *	5/2007	James et al.	248/220.31

(Continued)

Primary Examiner — Philip S Hyder
Assistant Examiner — John T Applewhite

(74) *Attorney, Agent, or Firm* — Condo Roccia LLP

(57) **CLAIM**

The ornamental design for a cap wrench display fixture, as shown.

DESCRIPTION

This application is related to U.S. patent application Ser. No. 29/412,180, entitled "Cap Wrench Display Fixture," filed on Jan. 31, 2012.

FIG. 1 is a front perspective view of a first embodiment of a cap wrench display fixture embodying my new design;

FIG. 2 is a top view of the cap wrench display fixture of FIG. 1;

FIG. 3 is a front view of the cap wrench display fixture of FIG. 1;

FIG. 4 is a bottom view of the cap wrench display fixture of FIG. 1;

FIG. 5 is a first end view of the cap wrench display fixture of FIG. 1;

FIG. 6 is a second end view of the cap wrench display fixture of FIG. 1;

FIG. 7 is a rear view of the cap wrench display fixture of FIG. 1;

FIG. 8 is a front perspective view of a second embodiment of a cap wrench display fixture embodying my new design;

FIG. 9 is a top view of the cap wrench display fixture of FIG. 8;

FIG. 10 is a front view of the cap wrench display fixture of FIG. 8;

FIG. 11 is a bottom view of the cap wrench display fixture of FIG. 8;

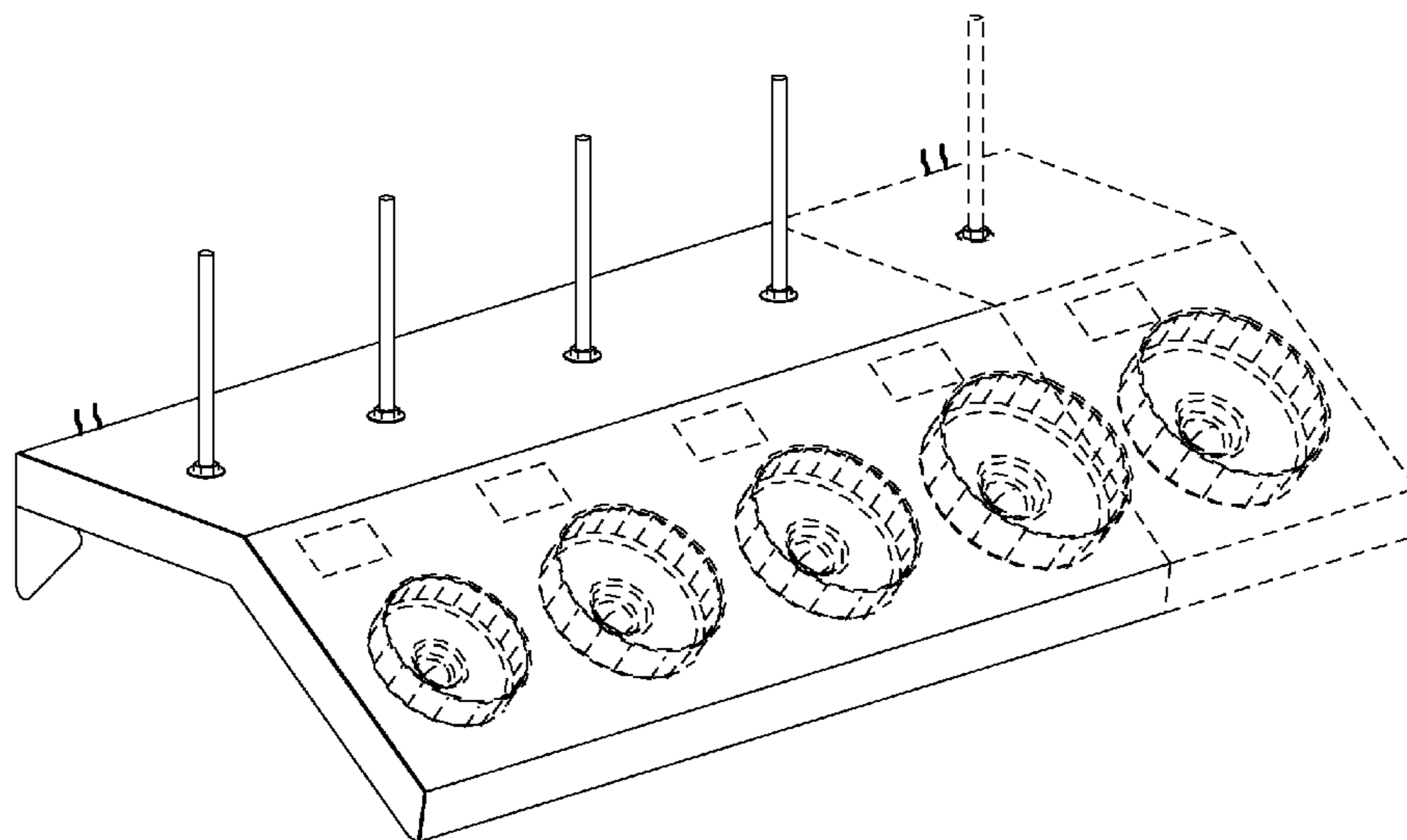
FIG. 12 is a first end view of the cap wrench display fixture of FIG. 8;

FIG. 13 is a second end view of the cap wrench display fixture of FIG. 8; and,

FIG. 14 is a rear view of the cap wrench display fixture of FIG. 8.

The broken lines show portions of the cap wrench display fixture that form no part of the claimed design.

1 Claim, 14 Drawing Sheets



US D684,030 S

Page 2

U.S. PATENT DOCUMENTS

D556,025 S *	11/2007	Kubota	D8/372	2004/0144739 A1*	7/2004	Marek	211/70.6
D584,940 S *	1/2009	Joss et al.	D8/373	2008/0251476 A1*	10/2008	Shiao	211/70.6
D594,511 S *	6/2009	Smyth	D21/345	2010/0300996 A1*	12/2010	Kao	211/70.6
D637,815 S *	5/2011	Hsieh	D3/313	2011/0056897 A1*	3/2011	Kao	211/70.6
D651,883 S *	1/2012	Huang	D8/71	2012/0085717 A1*	4/2012	Trinh et al.	211/59.2

* cited by examiner

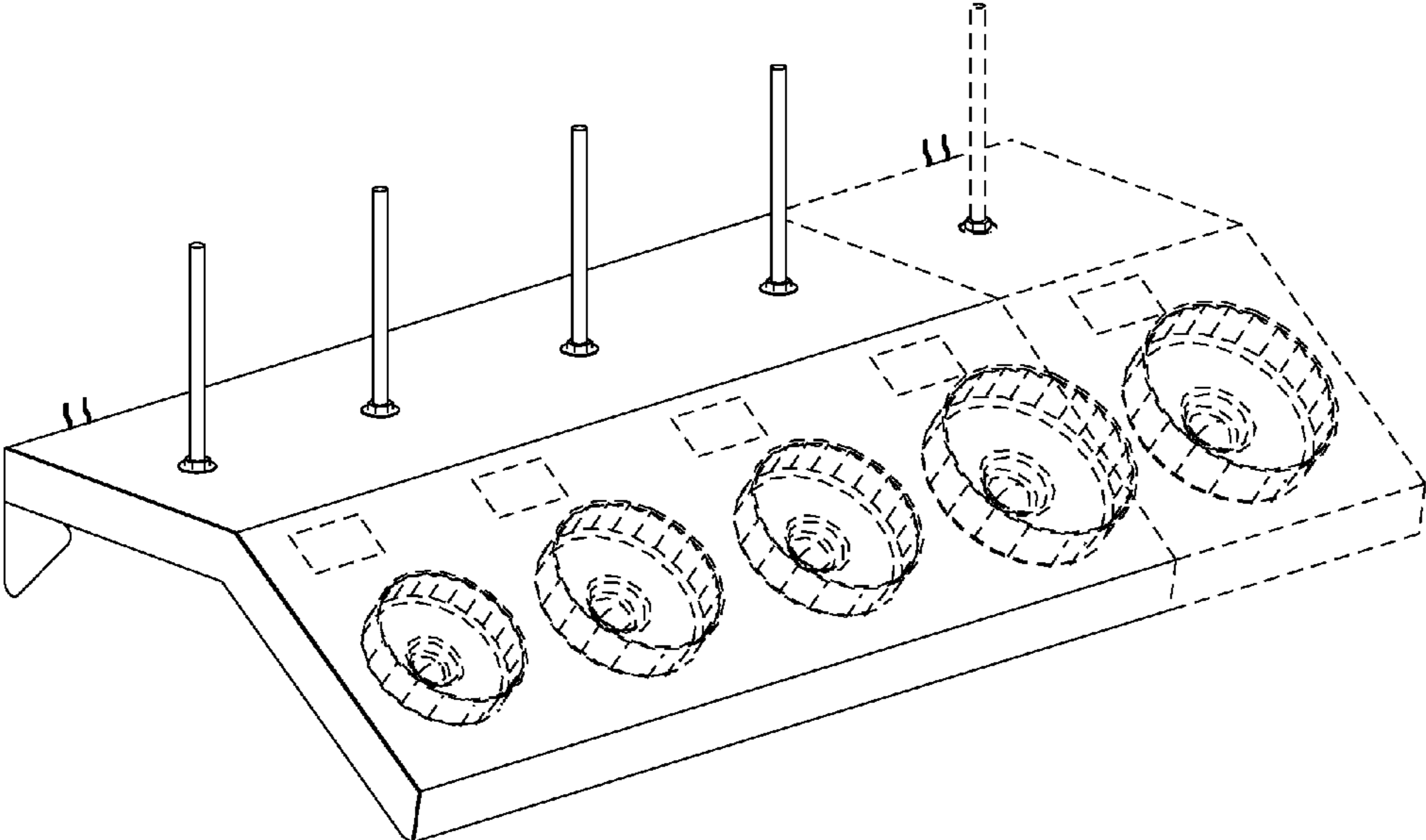


FIG. 1

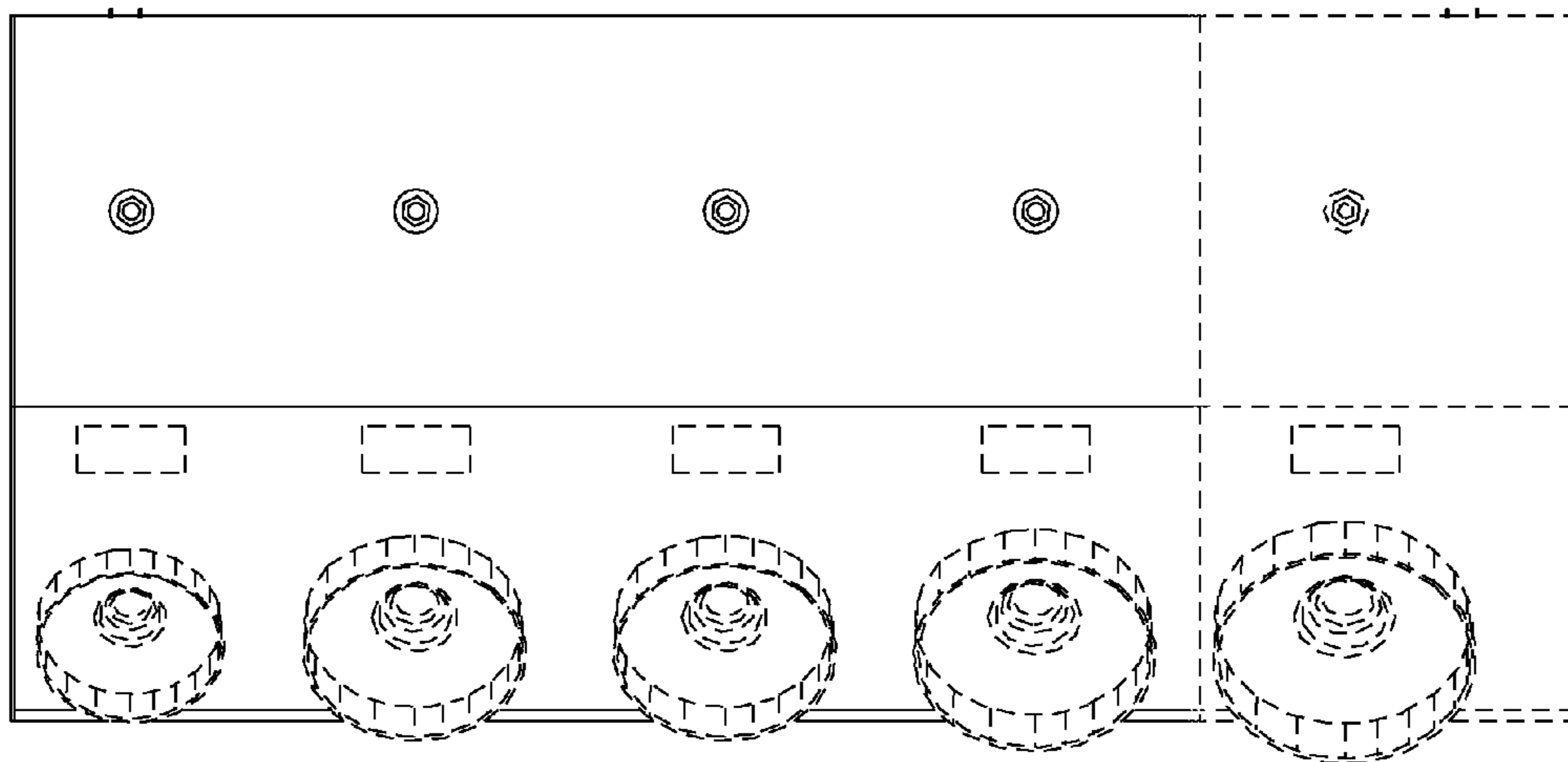


FIG. 2

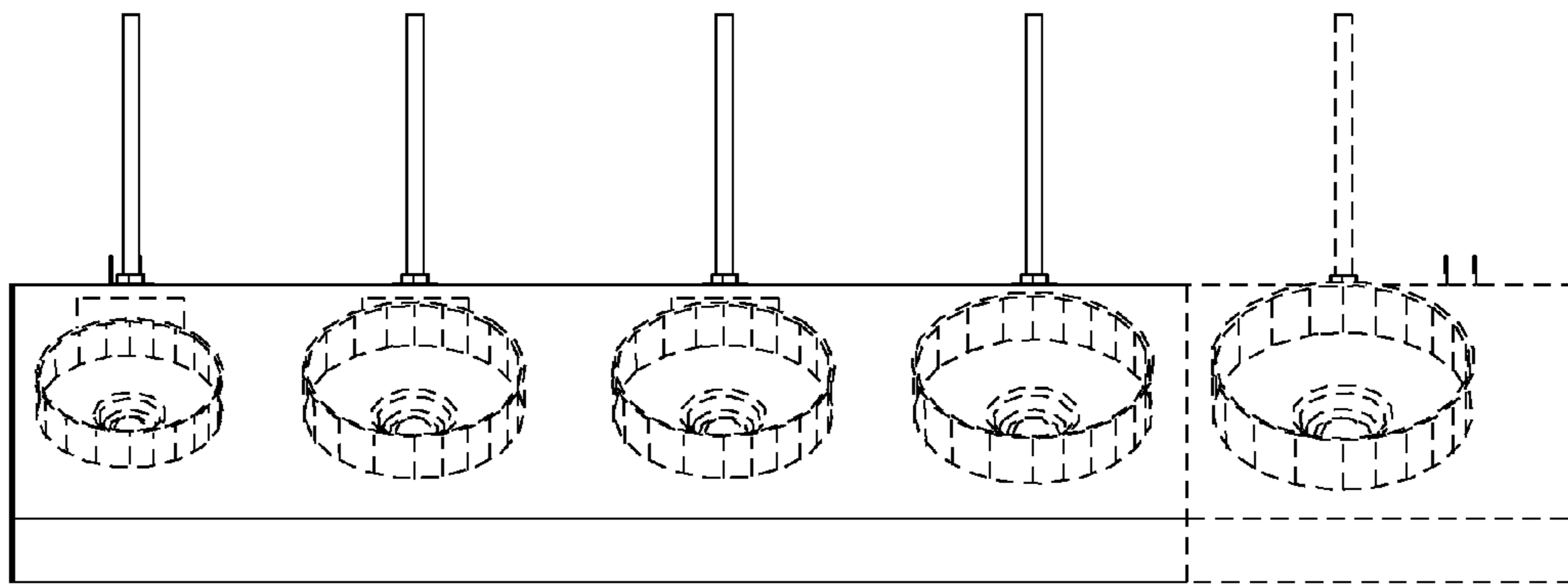


FIG. 3

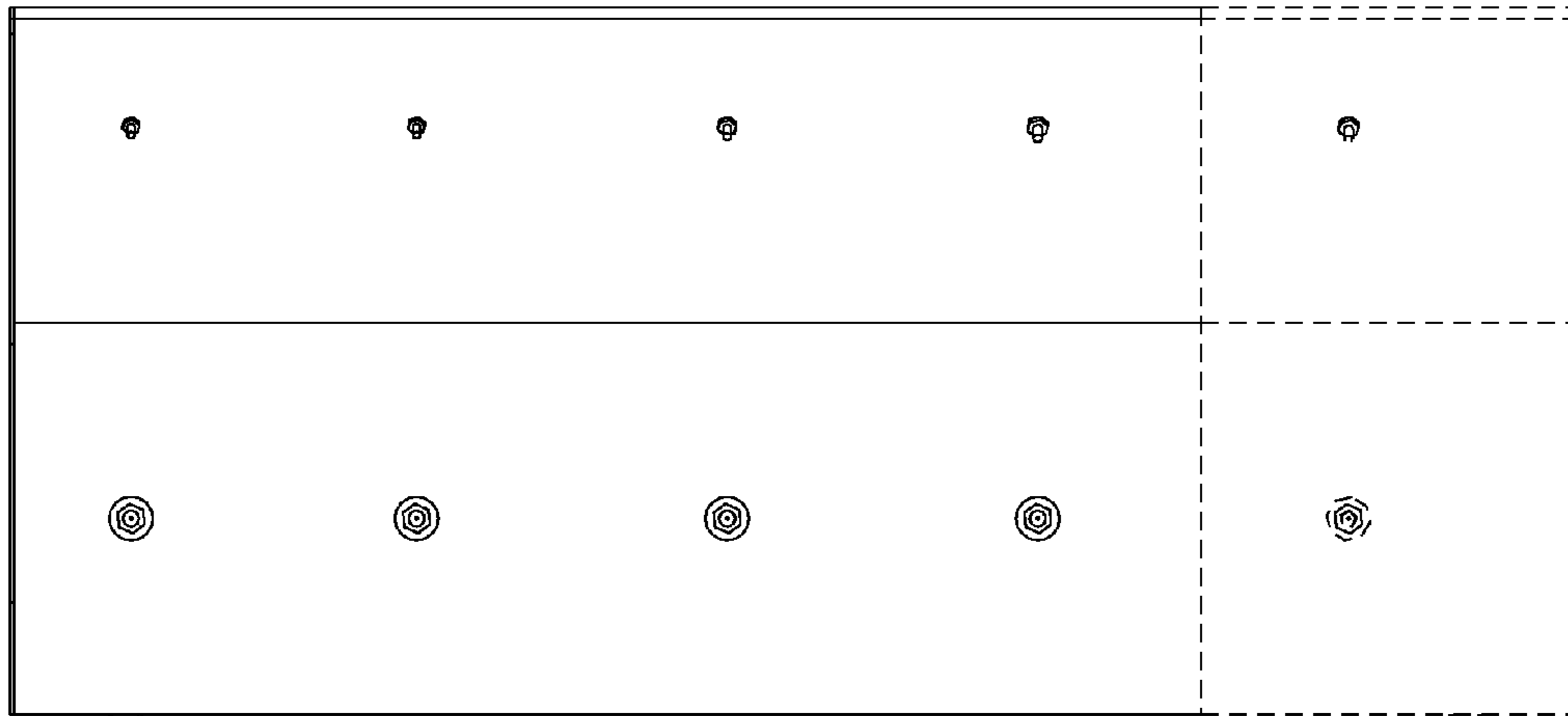


FIG. 4

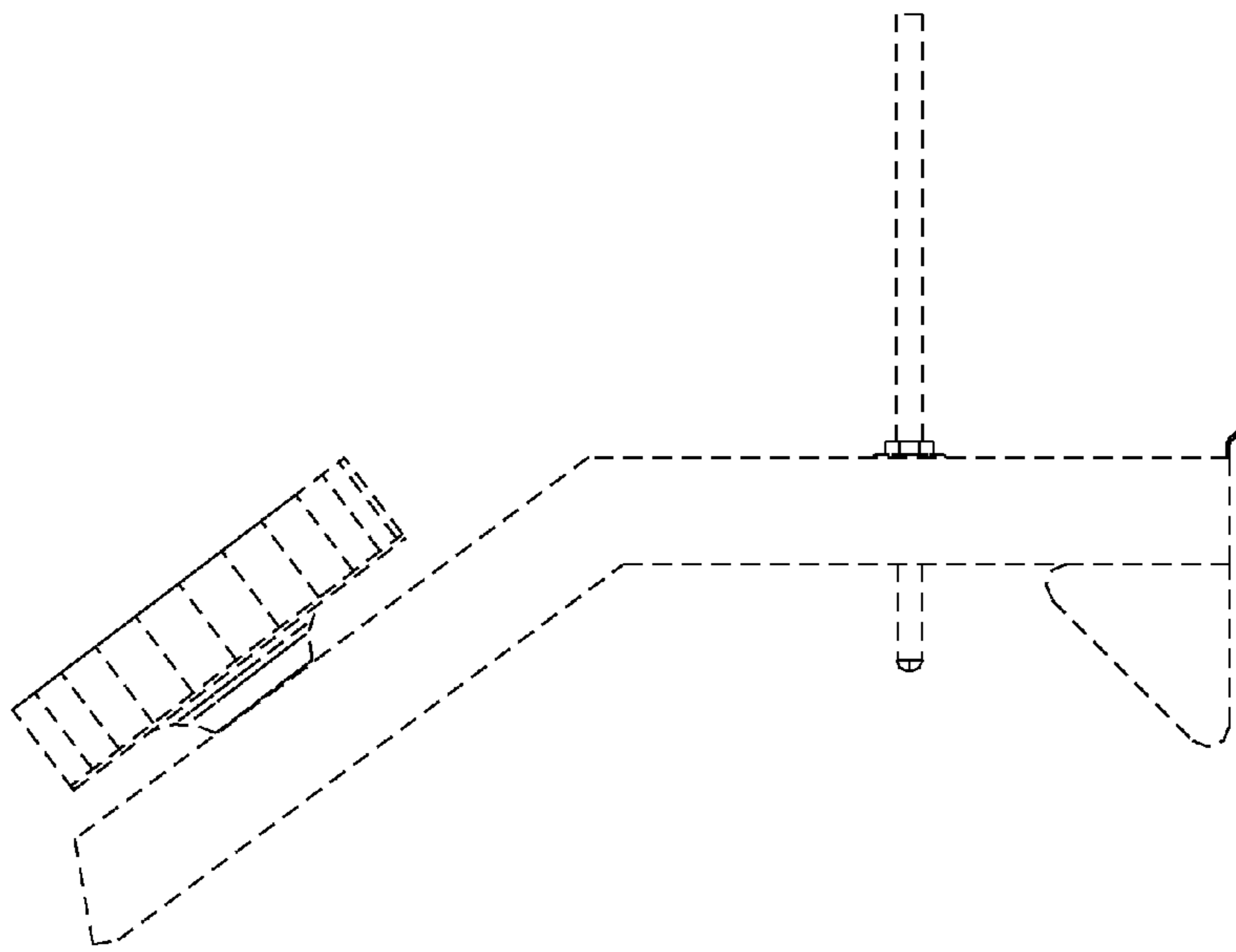


FIG. 5

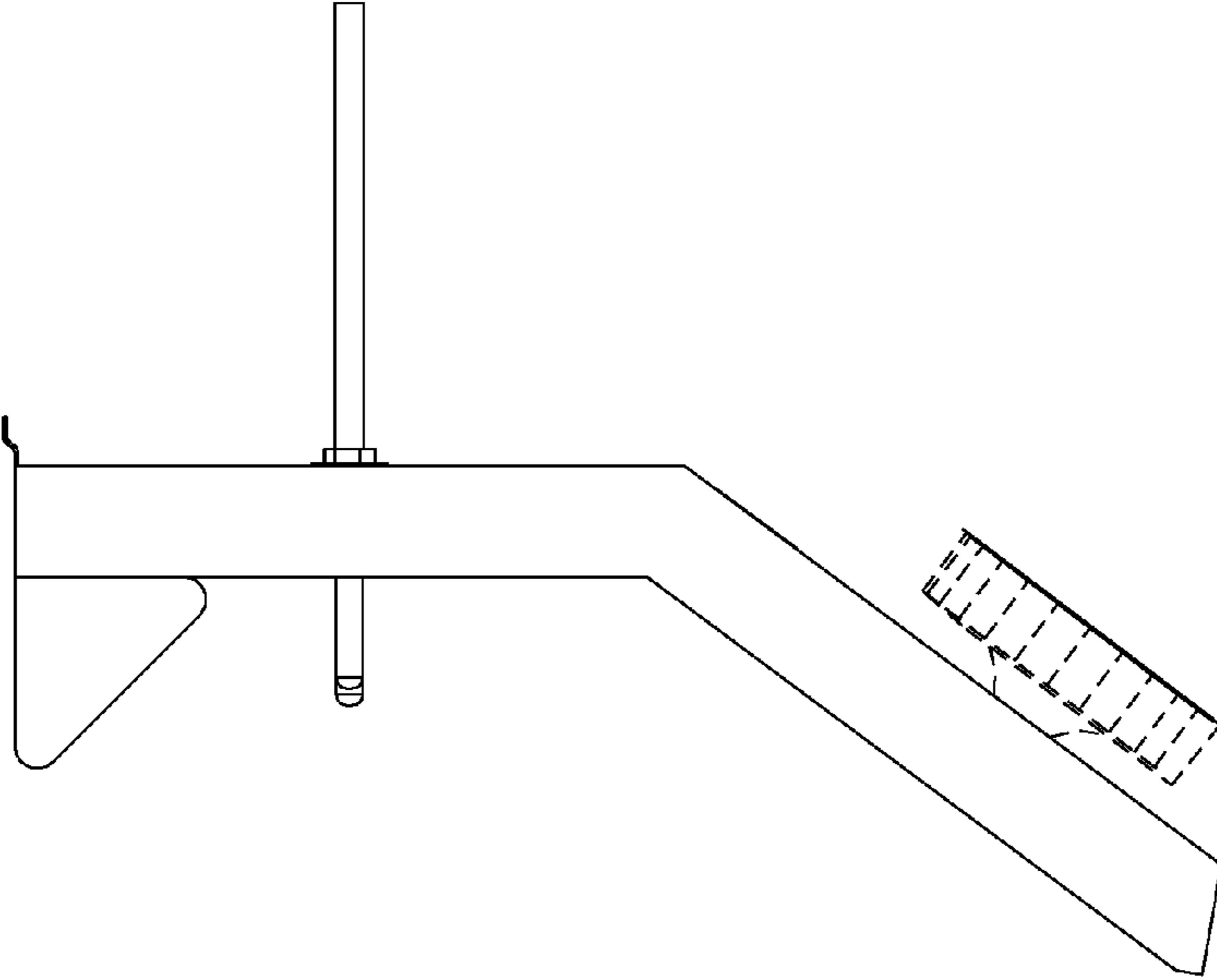


FIG. 6

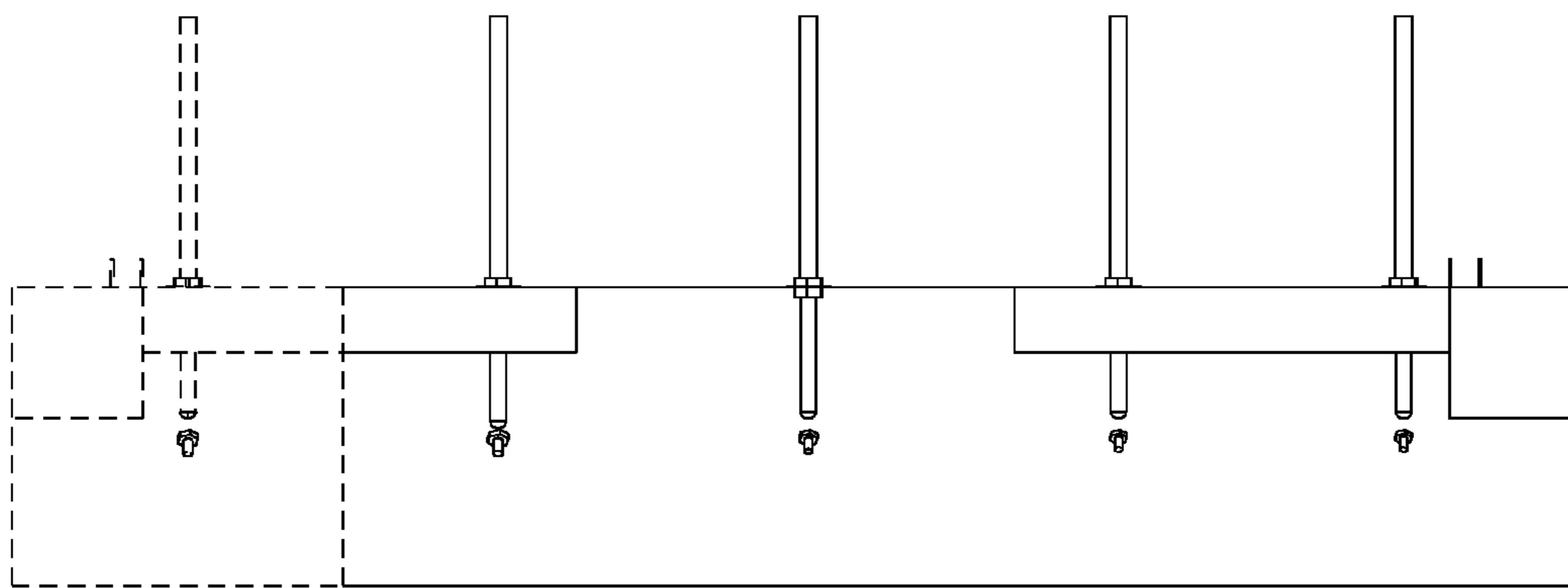


FIG. 7

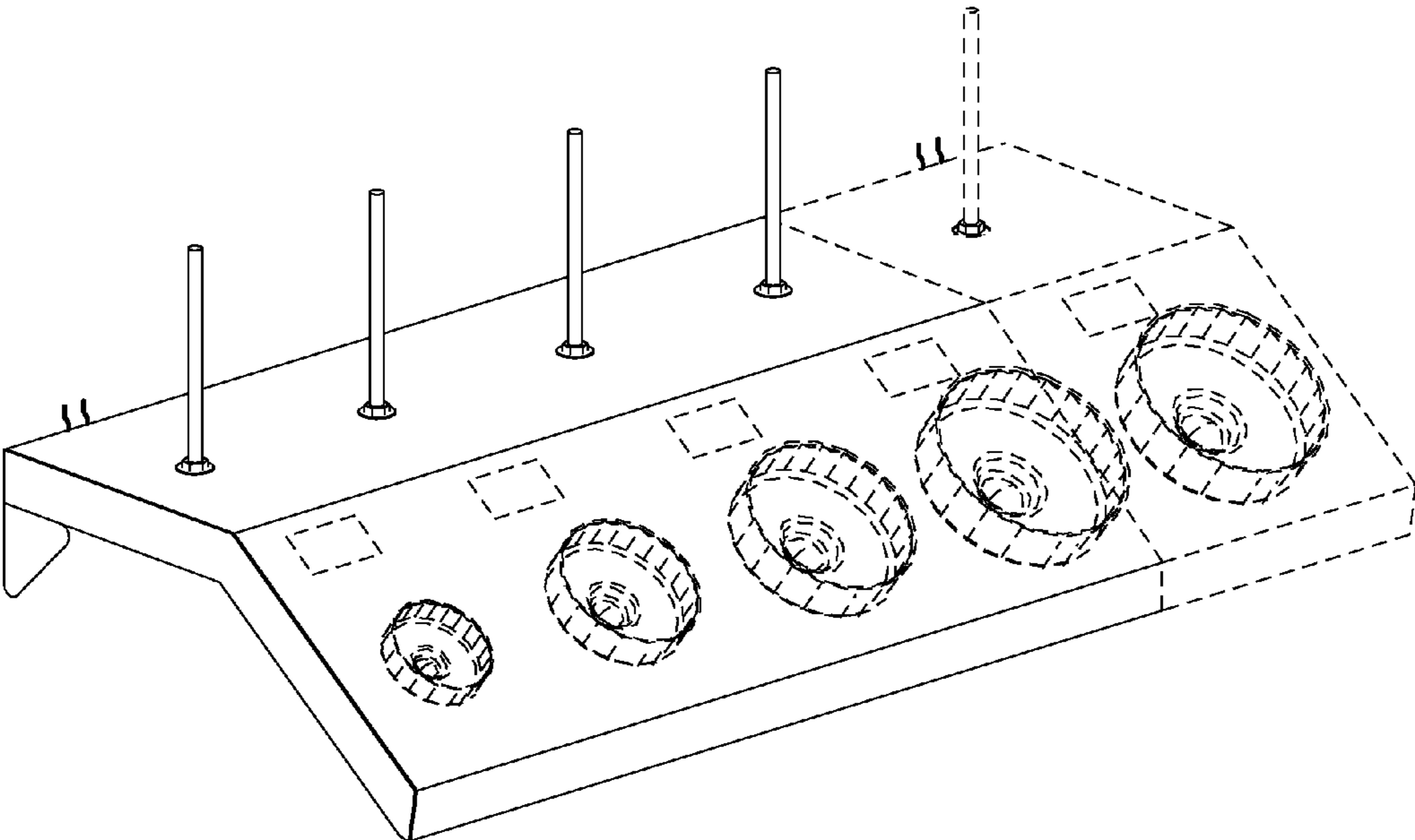


FIG. 8

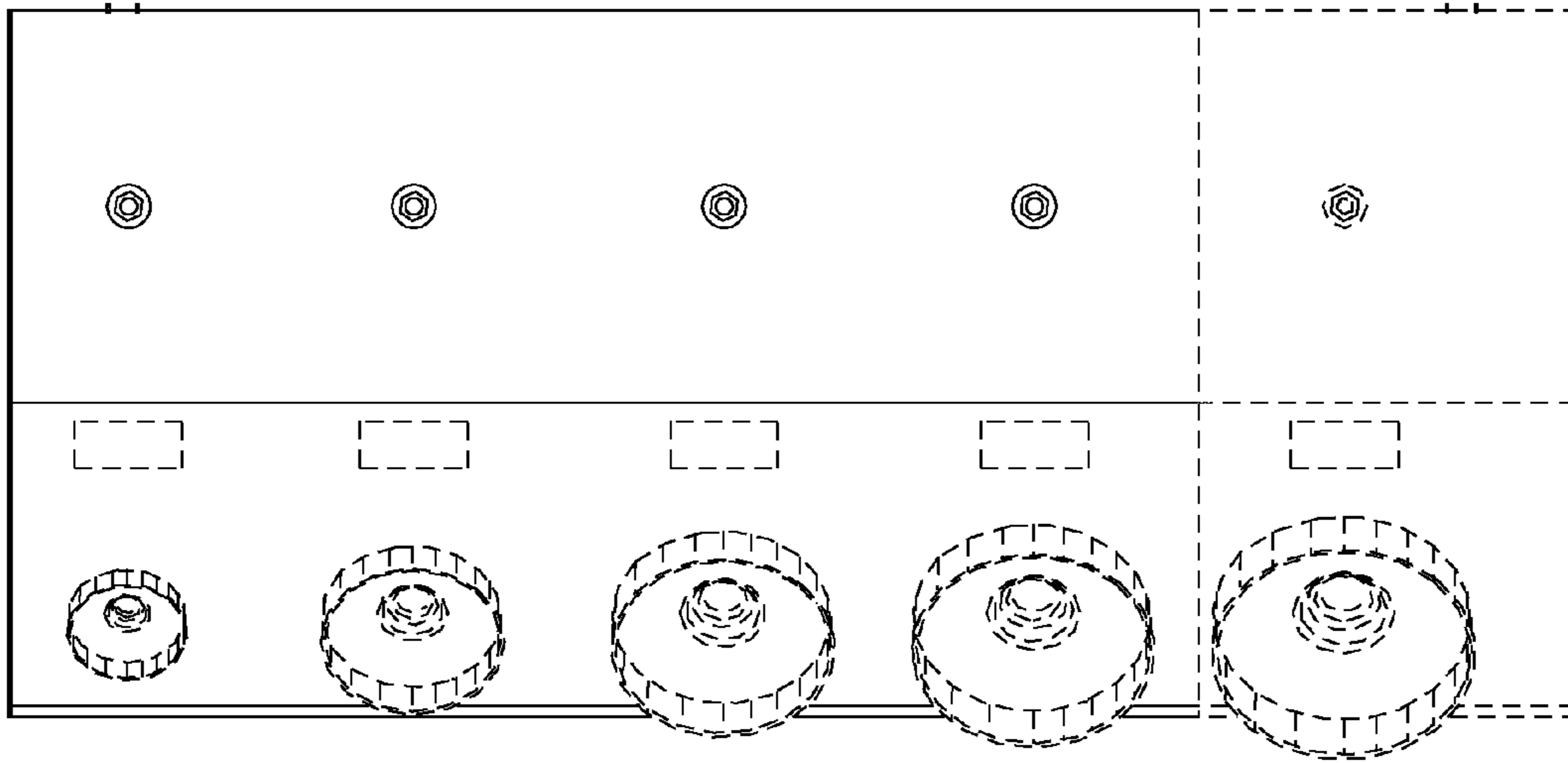


FIG. 9

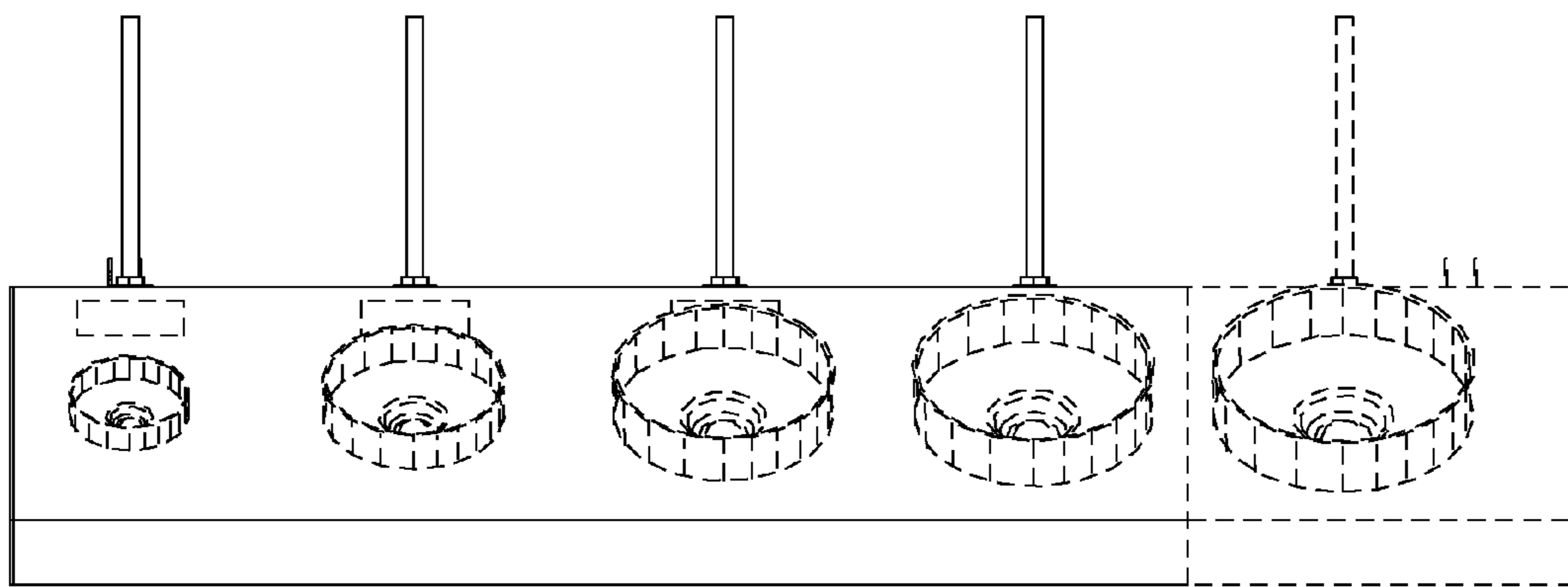


FIG. 10

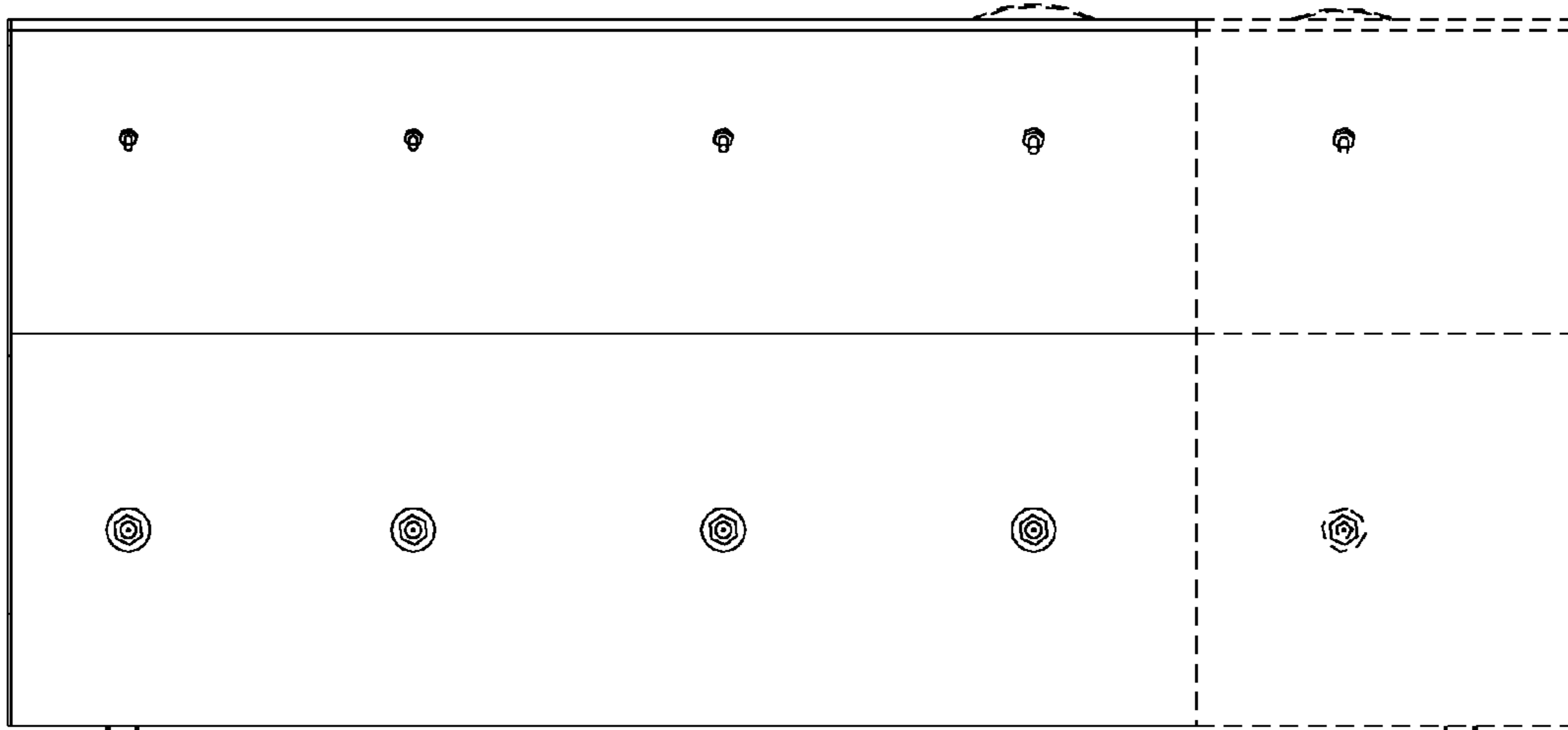


FIG. 11

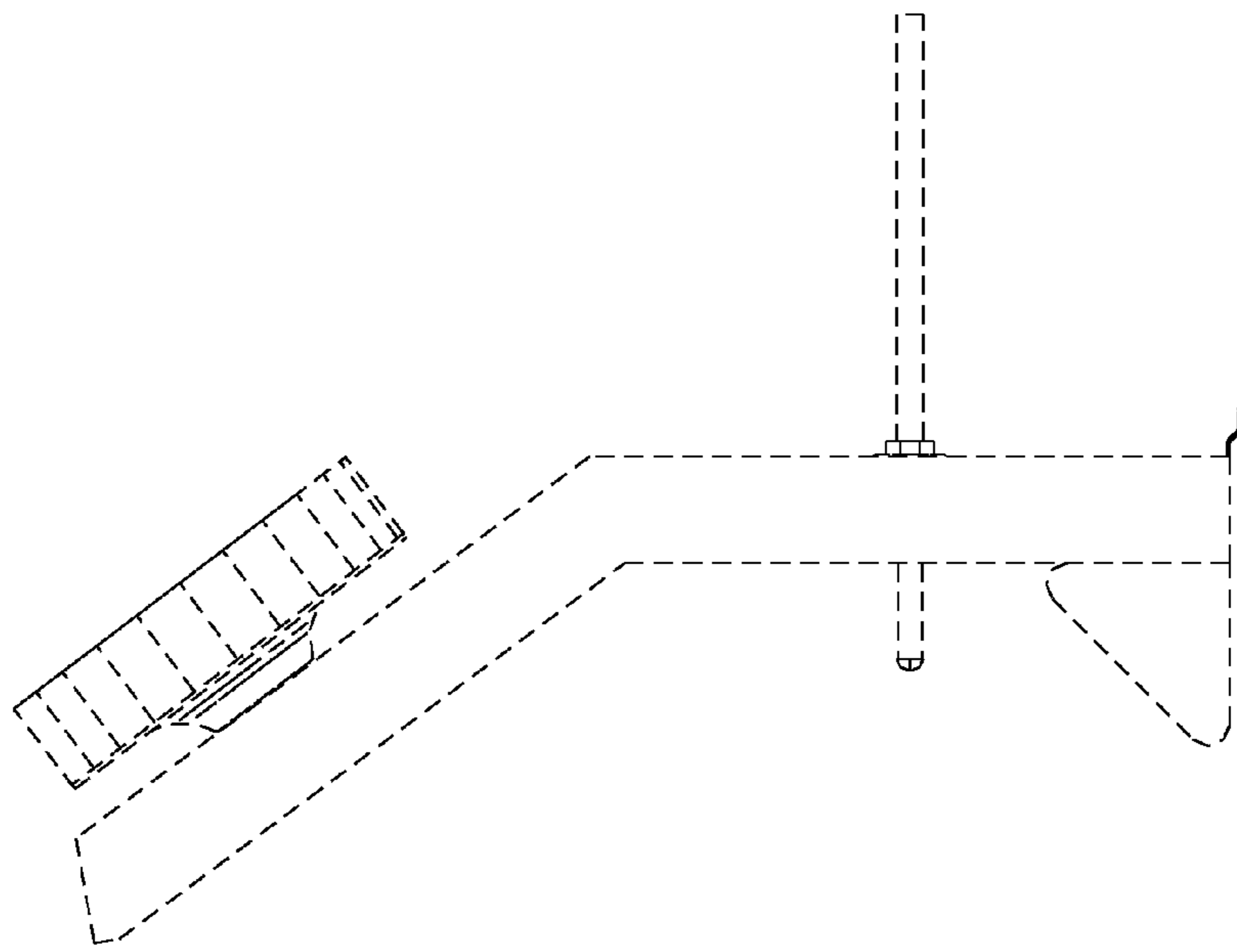


FIG. 12

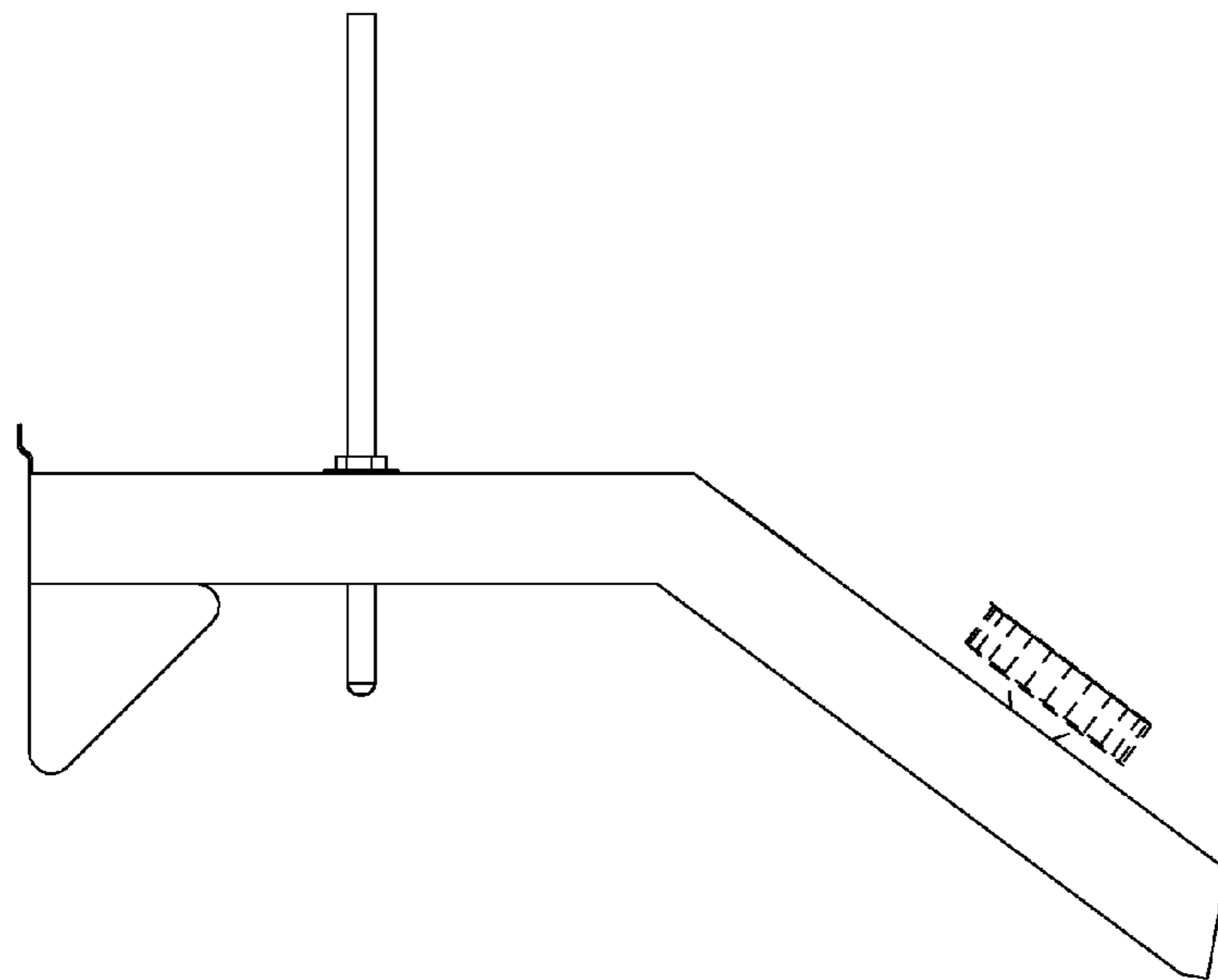


FIG. 13

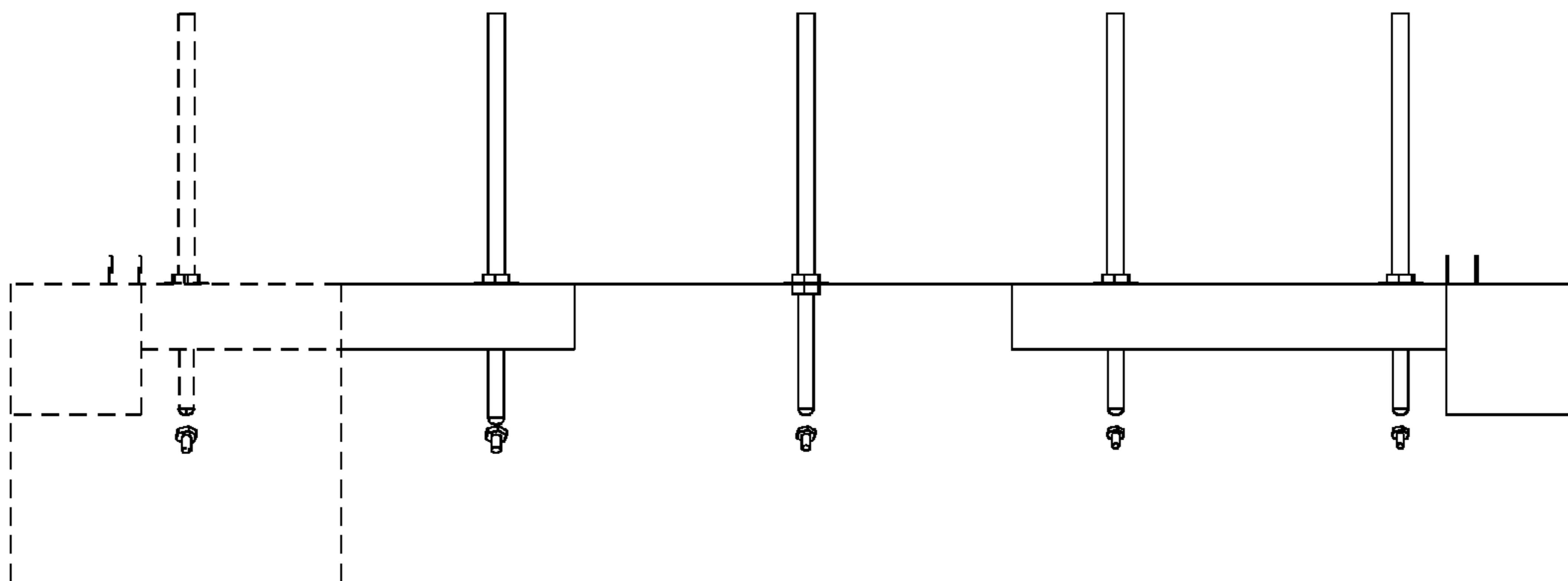


FIG. 14