



US00D684028S

(12) **United States Design Patent**  
**Costoli**

(10) **Patent No.:** **US D684,028 S**

(45) **Date of Patent:** **\*\* Jun. 11, 2013**

(54) **IMPACT WRENCH**

(75) Inventor: **Mario Costoli**, Reggio Emilia (IT)

(73) Assignee: **Dino Paoli S.R.L.**, Reggio Nell'Emilia (RE) (IT)

(\*\*) Term: **14 Years**

(21) Appl. No.: **29/397,542**

(22) Filed: **Jul. 18, 2011**

(30) **Foreign Application Priority Data**

Jan. 18, 2011 (IT) ..... MO2011O0003

(51) **LOC (9) Cl.** ..... **08-04**

(52) **U.S. Cl.**  
USPC ..... **D8/68; 173/90**

(58) **Field of Classification Search**  
USPC ..... D8/61, 68; 173/1, 93, 93.5, 93.6,  
173/46, 104, 132, 168, 170, 171, 178, 217,  
173/218; 310/50; 408/124

See application file for complete search history.

(56) **References Cited**

**U.S. PATENT DOCUMENTS**

D223,134 S *	3/1972	Bunyea	.....	D8/68
D261,222 S *	10/1981	Bunyea	.....	D8/68
D378,891 S *	4/1997	Sung	.....	D8/68
D403,219 S *	12/1998	Bosten et al.	.....	D8/68
D434,298 S *	11/2000	Izumisawa	.....	D8/68
D460,335 S *	7/2002	Morgan	.....	D8/68
D467,782 S *	12/2002	Morgan	.....	D8/68
D482,947 S *	12/2003	Lin	.....	D8/68
D489,240 S *	5/2004	Bartfeld et al.	.....	D8/68
D497,787 S *	11/2004	Liao	.....	D8/68
D507,951 S *	8/2005	McMenemy et al.	.....	D8/68

D521,339 S *	5/2006	Chen	.....	D8/68
D529,777 S *	10/2006	Hattori	.....	D8/68
D534,047 S *	12/2006	Chi	.....	D8/68
D537,690 S *	3/2007	Su	.....	D8/68
7,191,849 B2 *	3/2007	Chen	.....	173/169
D572,991 S *	7/2008	Chen	.....	D8/68
7,431,102 B2 *	10/2008	Hua et al.	.....	173/169
D590,226 S *	4/2009	Chu	.....	D8/68
D591,127 S *	4/2009	Taga	.....	D8/68
D610,888 S *	3/2010	Izumisawa et al.	.....	D8/68
D616,717 S *	6/2010	Yaschur	.....	D8/68
D629,271 S *	12/2010	Dunkin et al.	.....	D8/68
8,141,654 B2 *	3/2012	Lin	.....	173/93.5
D664,413 S *	7/2012	Steinfels	.....	D8/68
2012/0080208 A1 *	4/2012	Lin et al.	.....	173/221

\* cited by examiner

*Primary Examiner* — Philip S Hyder

*Assistant Examiner* — John T Applewhite

(74) *Attorney, Agent, or Firm* — Lucas & Mercanti, LLP

(57) **CLAIM**

The ornamental design for an impact wrench, as shown and described.

**DESCRIPTION**

FIG. 1 is a front perspective view of an impact wrench showing the design;

FIG. 2 is a back side perspective view thereof;

FIG. 3 is an opposing back side perspective view thereof;

FIG. 4 is a side view thereof;

FIG. 5 is an opposing side view thereof;

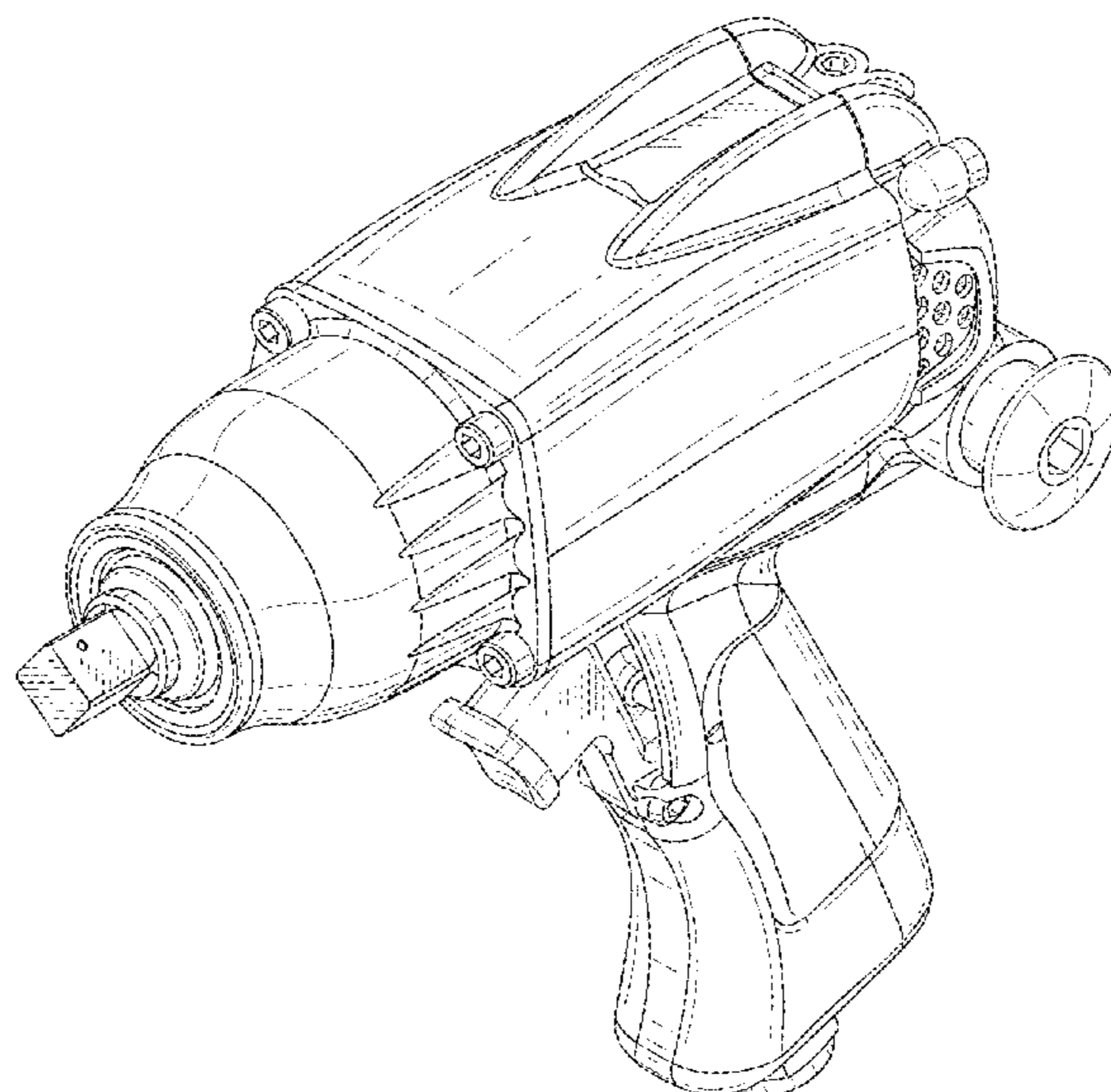
FIG. 6 is a front view thereof;

FIG. 7 is a back view thereof;

FIG. 8 is a top view thereof; and,

FIG. 9 is a bottom view thereof.

**1 Claim, 7 Drawing Sheets**



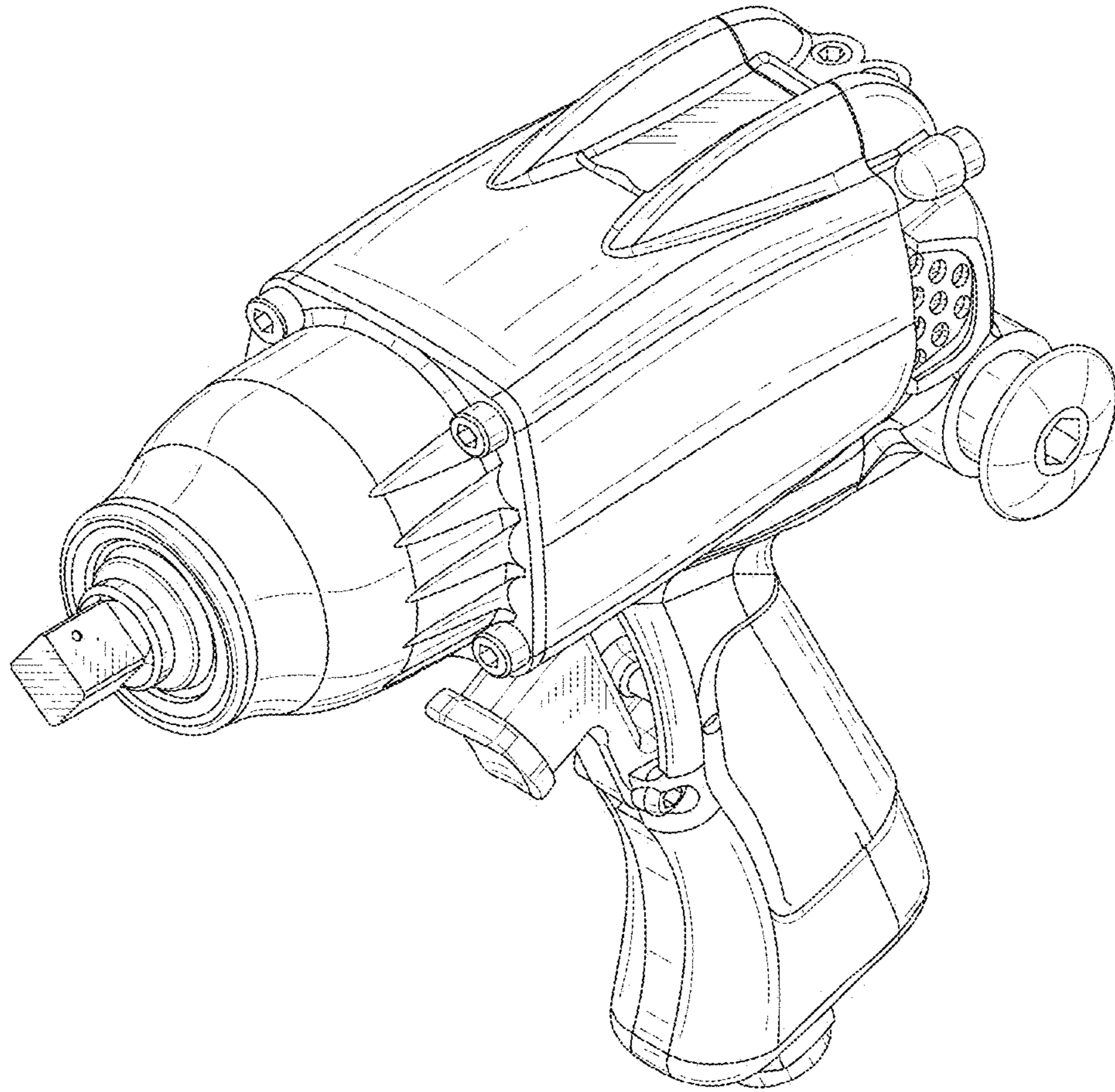


FIG. 1

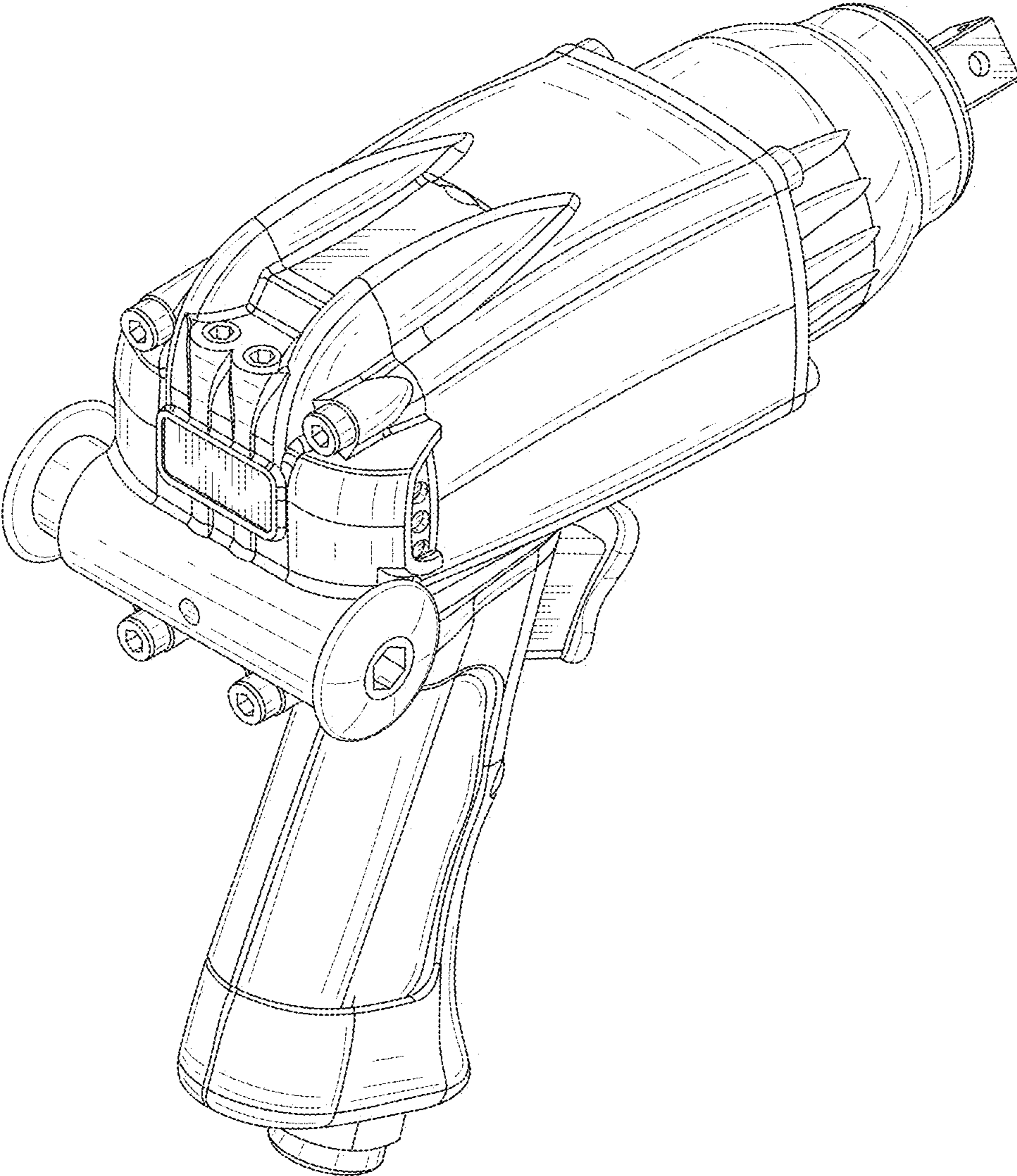


FIG. 2



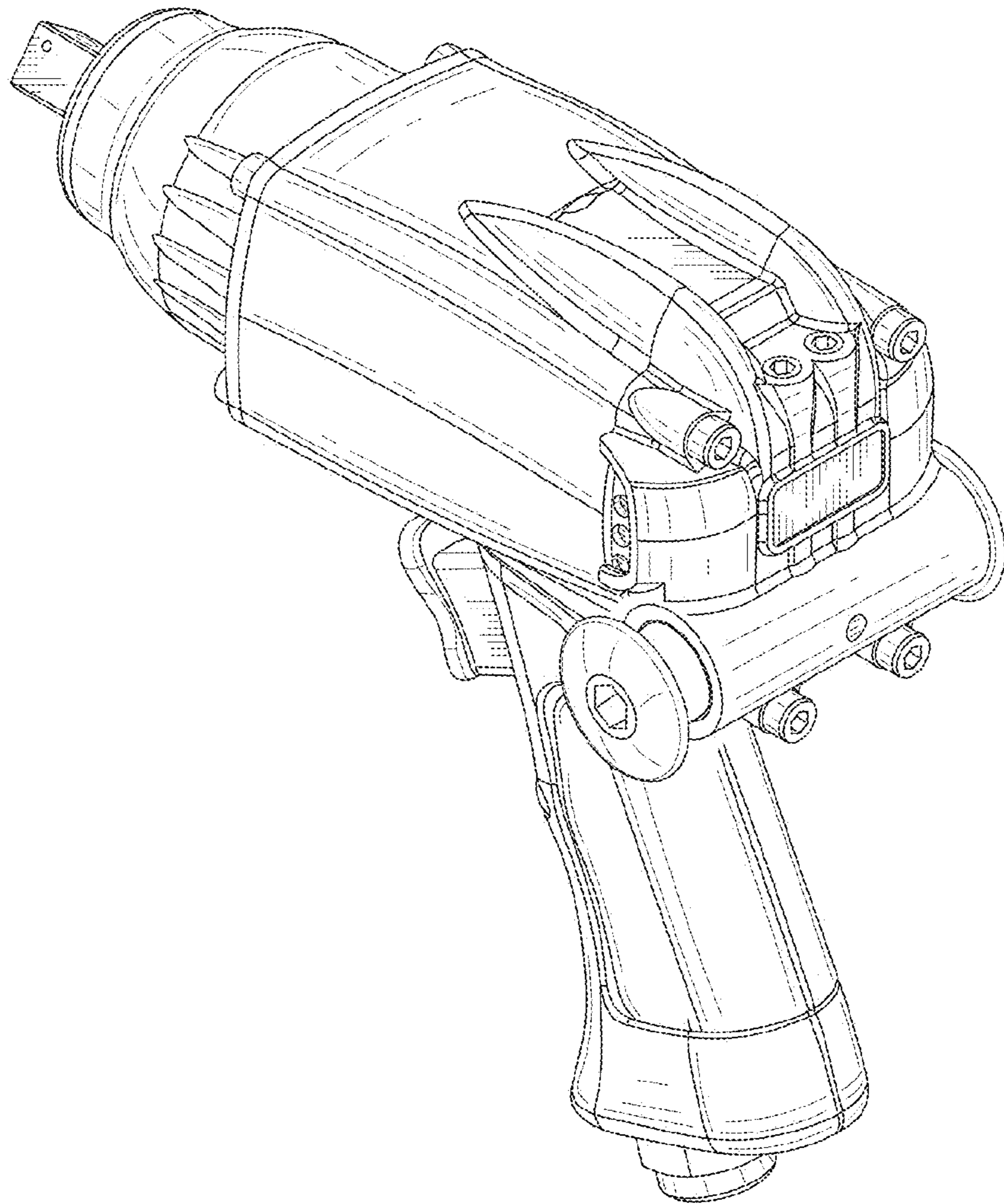


FIG. 3

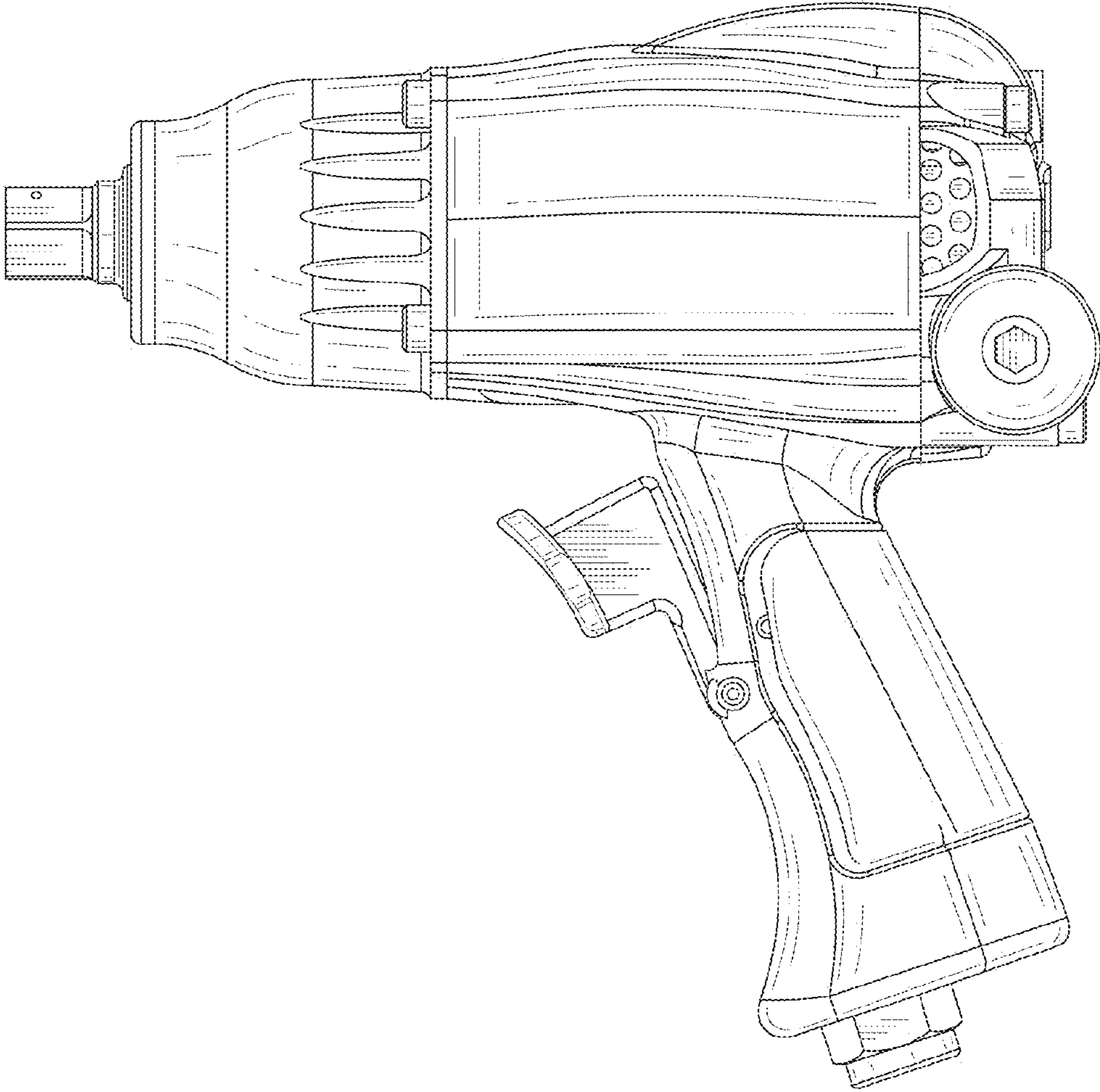


FIG. 4

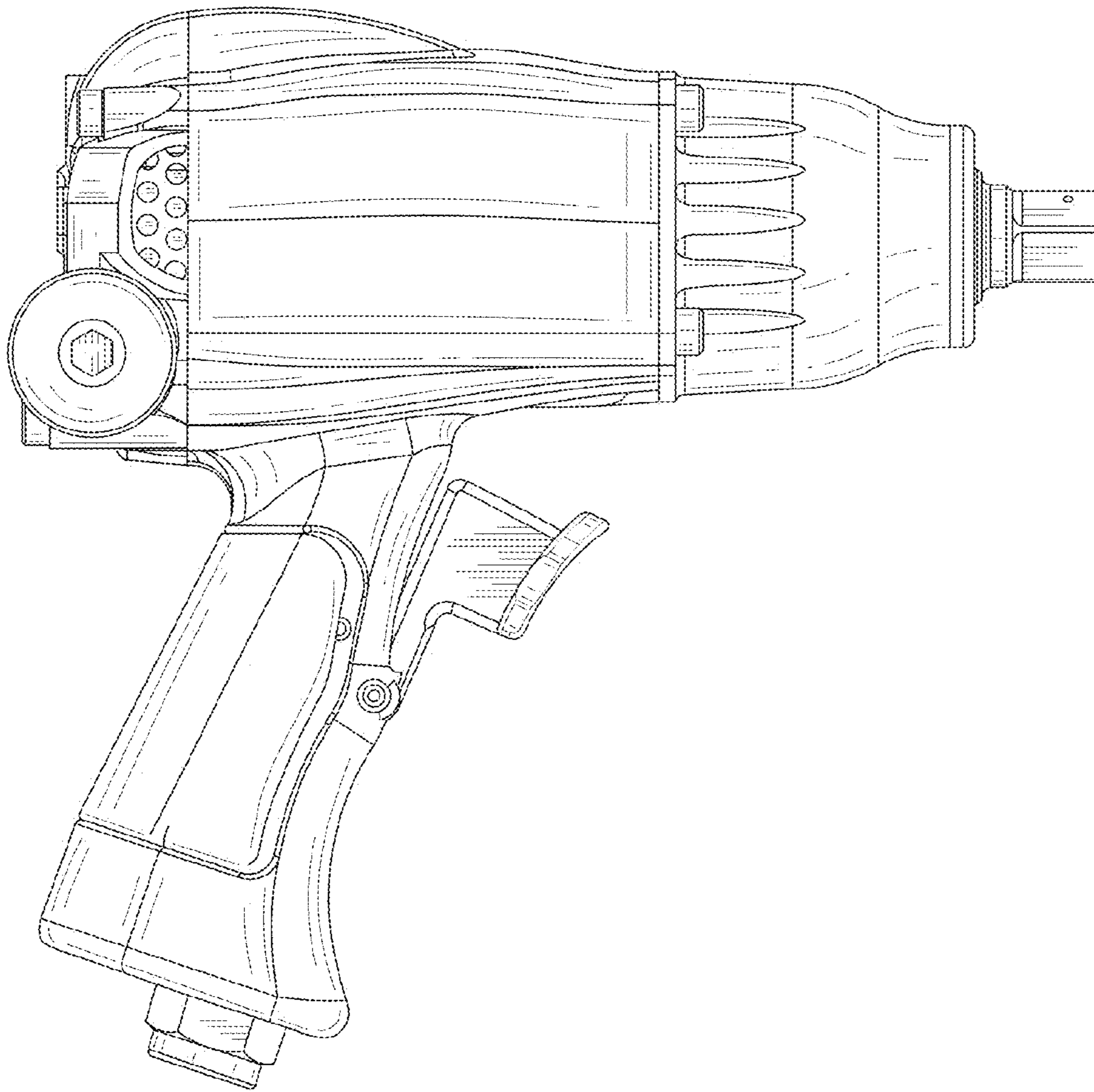


FIG. 5

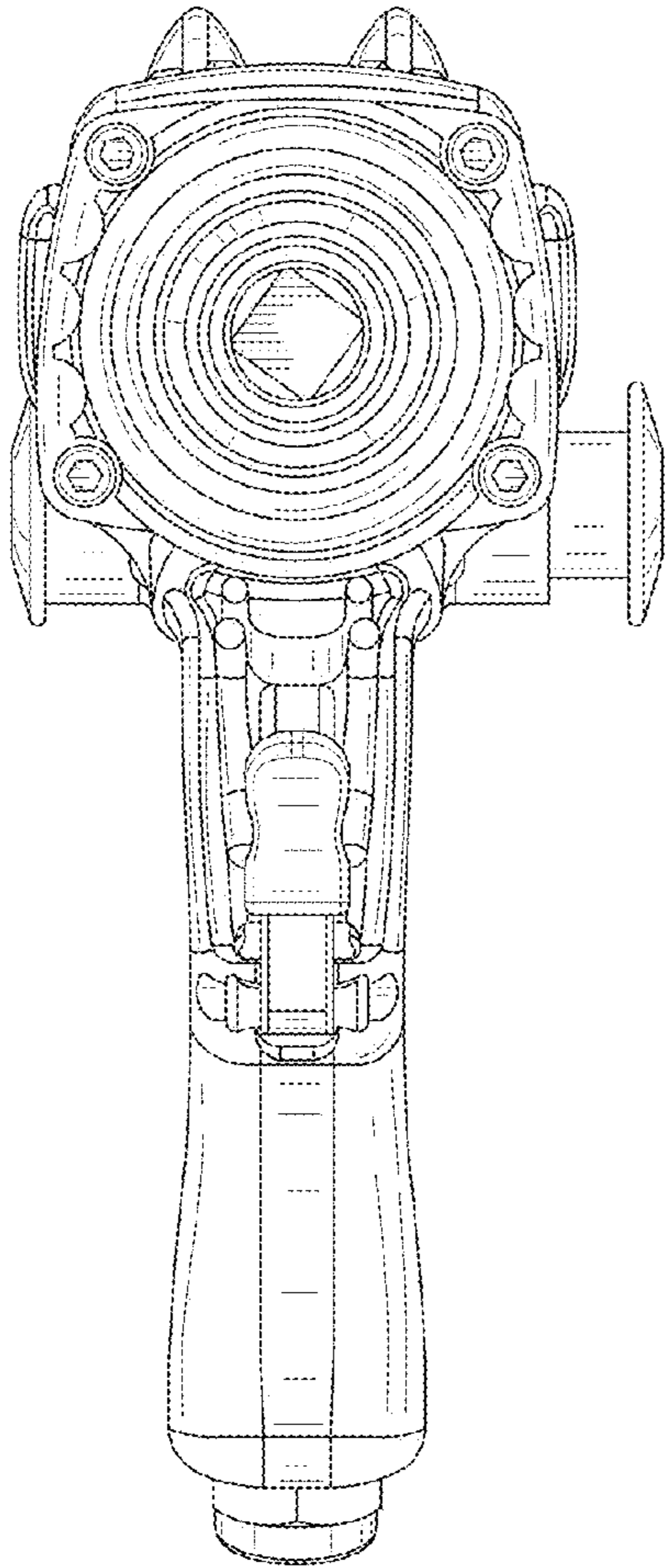


FIG. 6

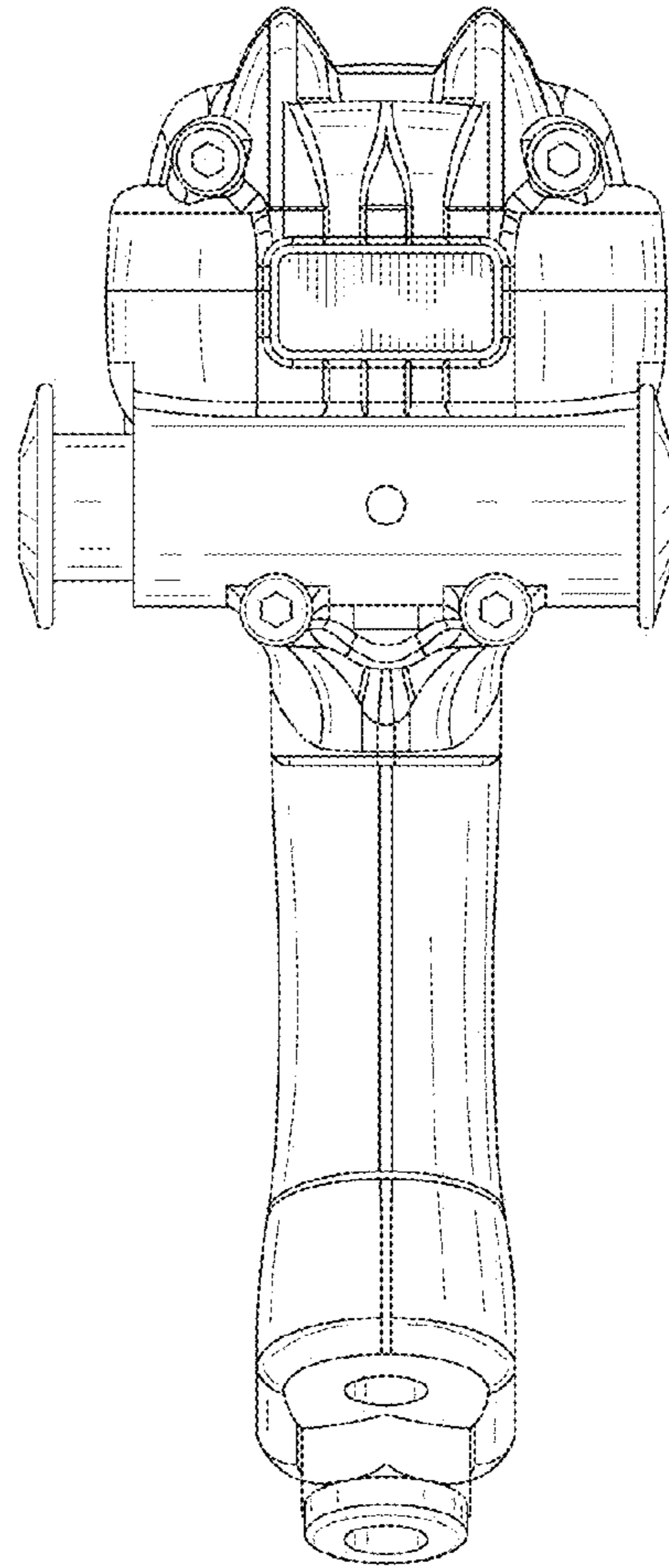


FIG. 7



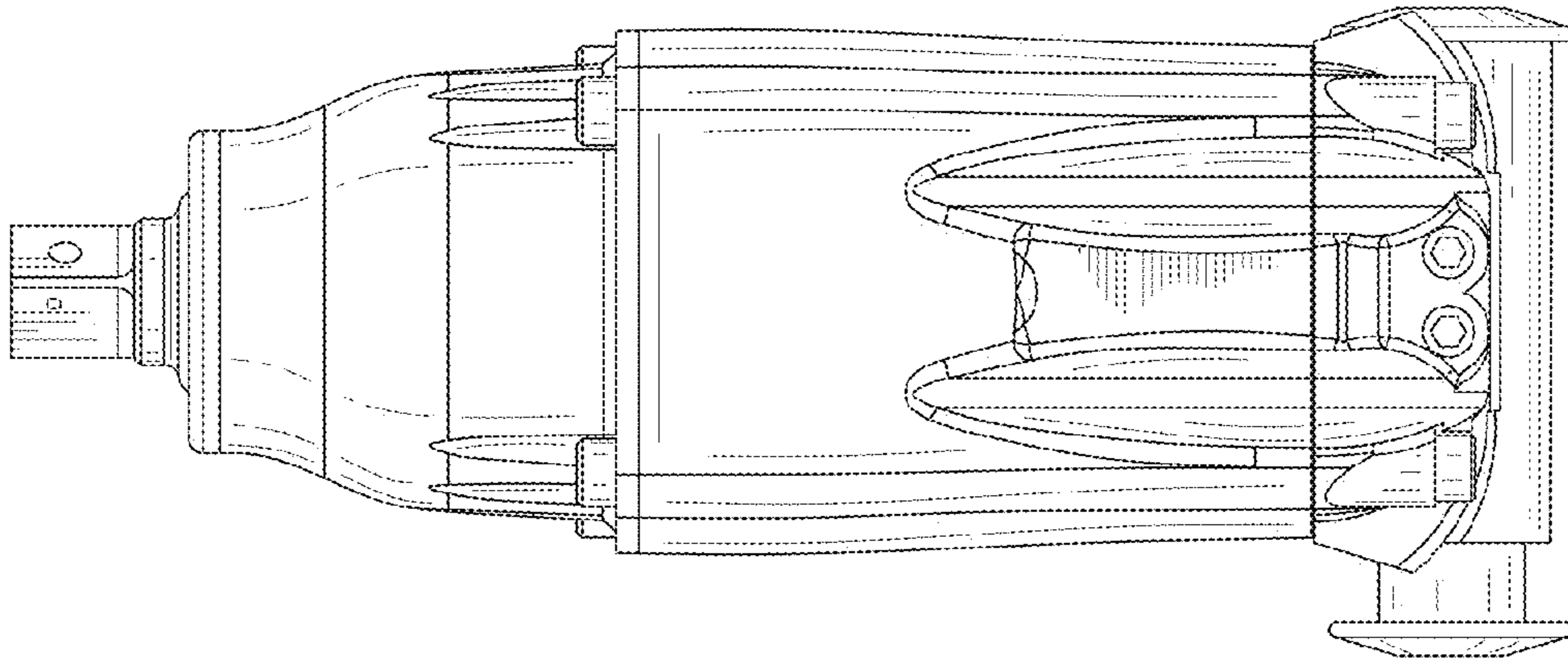


FIG. 8

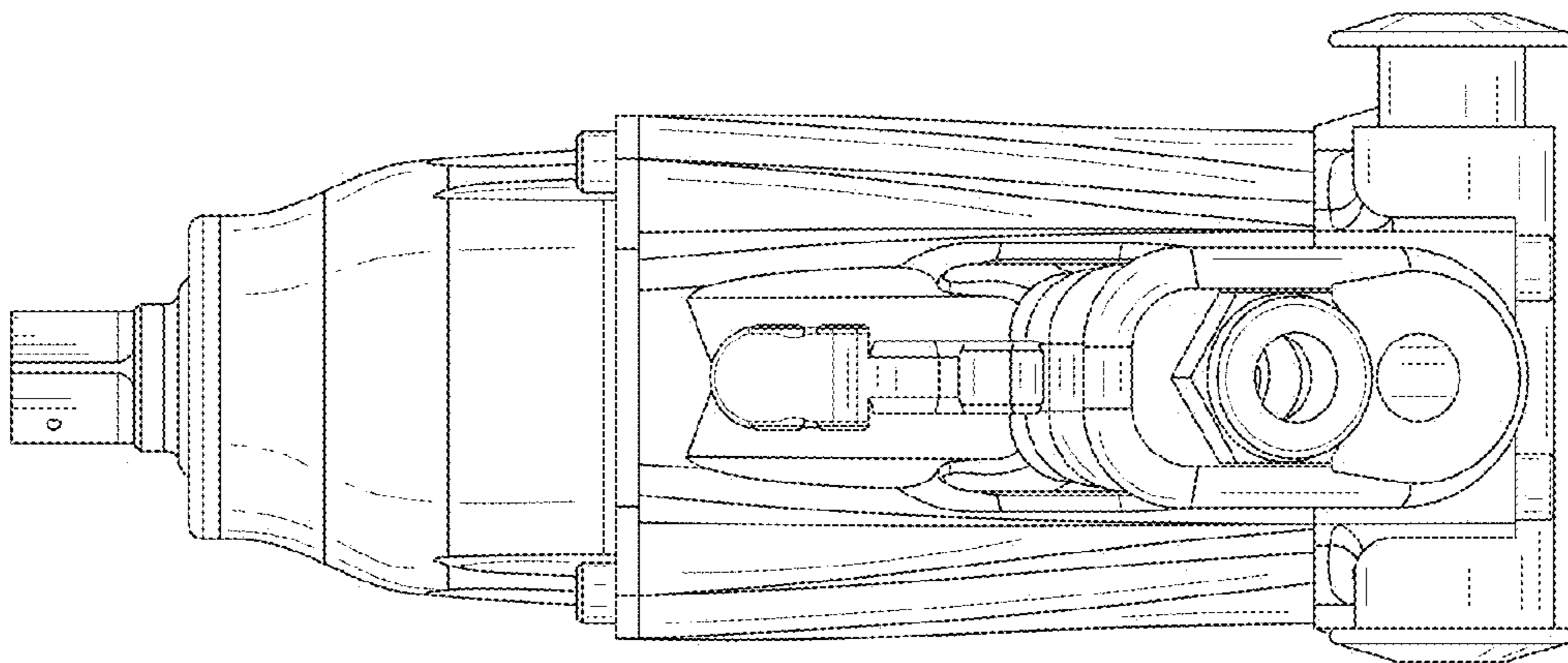


FIG. 9