



US00D684026S

(12) **United States Design Patent**
Helfenstein

(10) **Patent No.:** **US D684,026 S**
(45) **Date of Patent:** **** Jun. 11, 2013**

(54) **DEEP SOCKET FOR A RECESSED ANCHOR HOLD DOWN**

(71) Applicant: **James Helfenstein**, Lake Tapps, WA (US)

(72) Inventor: **James Helfenstein**, Lake Tapps, WA (US)

(**) Term: **14 Years**

(21) Appl. No.: **29/433,022**

(22) Filed: **Sep. 25, 2012**

(51) **LOC (9) Cl.** **08-05**

(52) **U.S. Cl.**
USPC **D8/29**

(58) **Field of Classification Search**
USPC D8/21-29; 81/58.3-59.16, 177.1, 81/177.85, 121.1, 124.3, 165-170, 110.1, 81/176.2, 124.6, 176.1, 176.15, 177.2; 16/110.1; D15/144.1; 219/75, 227, 229, 121.16, 219/121.18

See application file for complete search history.

(56) **References Cited**

U.S. PATENT DOCUMENTS

4,344,340	A *	8/1982	Erickson	81/177.2
4,502,365	A *	3/1985	Hacker	81/124.6
5,035,162	A *	7/1991	Dougherty	81/124.4
D422,193	S *	4/2000	Walker	D8/107
6,176,654	B1	1/2001	Jore	
D464,545	S *	10/2002	Marty et al.	D8/21

D475,589	S *	6/2003	Wilkinson	D8/29
D478,263	S	8/2003	Welsh	
D520,311	S *	5/2006	Saunders	D8/29
D526,172	S *	8/2006	Lin	D8/29
D528,395	S *	9/2006	Schluter	D8/86
D552,442	S *	10/2007	Hutchings	D8/29
7,354,230	B2	4/2008	Bauman	
D615,569	S *	5/2010	Greenleaf	D15/128
D619,728	S *	7/2010	Bare et al.	D24/224
8,132,990	B2	3/2012	Bauman	
2009/0314505	A1	12/2009	Jenkins	
2010/0219595	A1	9/2010	Moore	

* cited by examiner

Primary Examiner — Raphael Barkai

Assistant Examiner — Randall Gholson

(74) *Attorney, Agent, or Firm* — Daniel Boudwin

(57) **CLAIM**

The ornamental design for a deep socket for a recessed anchor hold down, as shown and described.

DESCRIPTION

FIG. 1 is a perspective view of the present invention.

FIG. 2 is a front view of the present invention.

FIG. 3 is a rear view of the present invention.

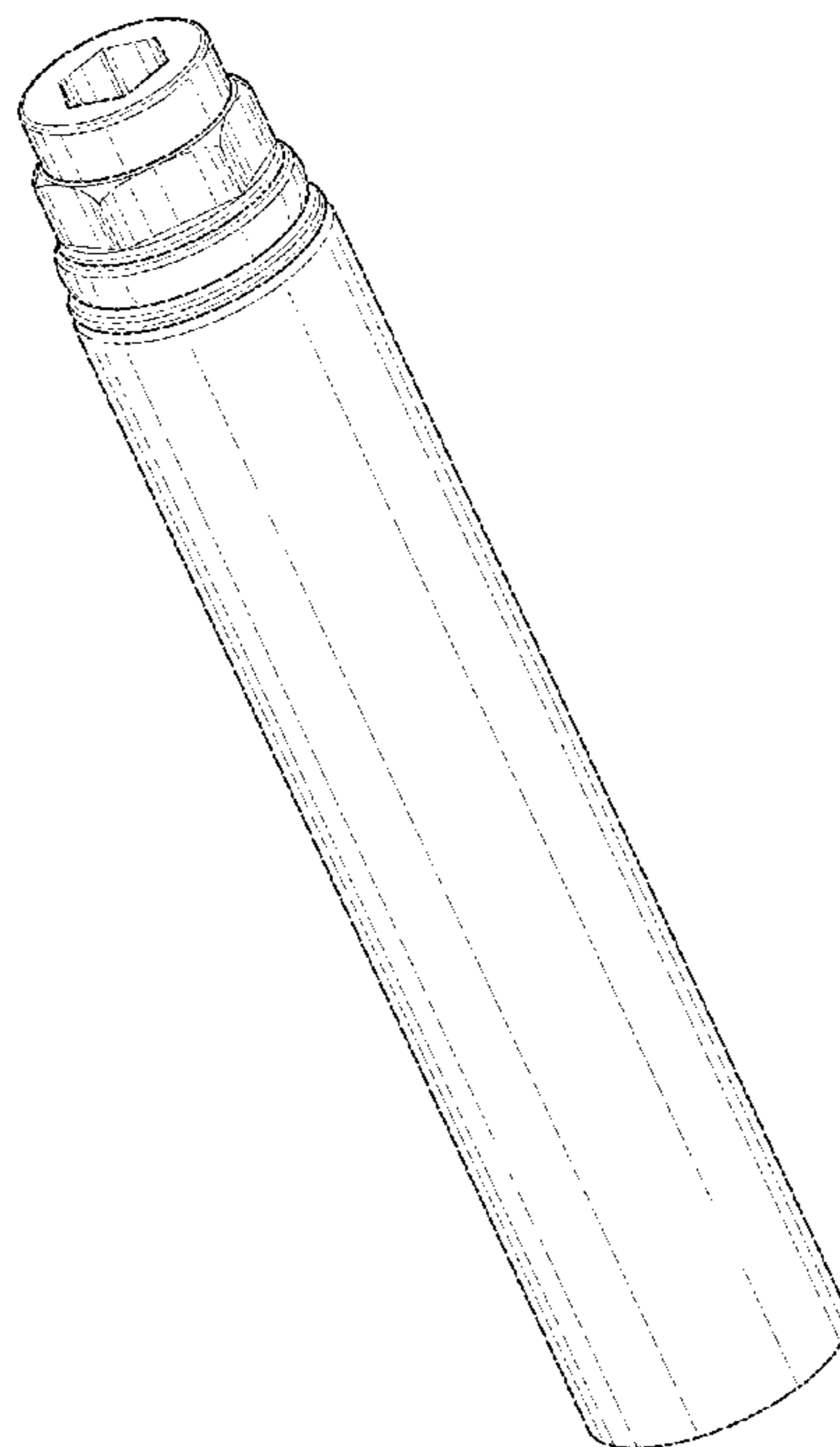
FIG. 4 is an overhead view of the present invention.

FIG. 5 is an underside view of the present invention; and,

FIG. 6 is a perspective view of the present invention in use securing a wood anchor within a recessed area.

The broken lines showing the deep socket for a recessed anchor hold down in use is included for the purpose of illustration and forms no part of the claimed design.

1 Claim, 4 Drawing Sheets



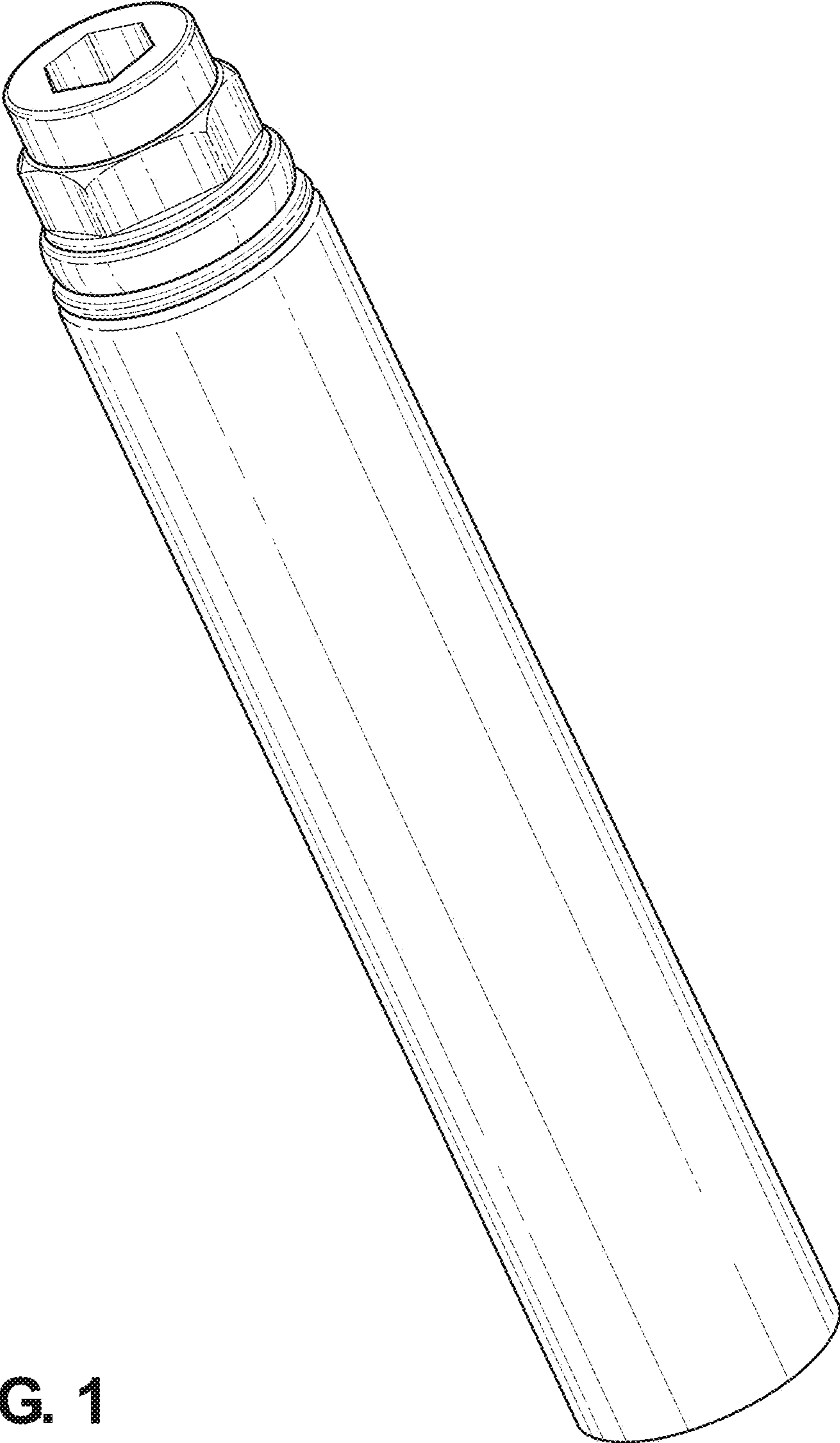


FIG. 1

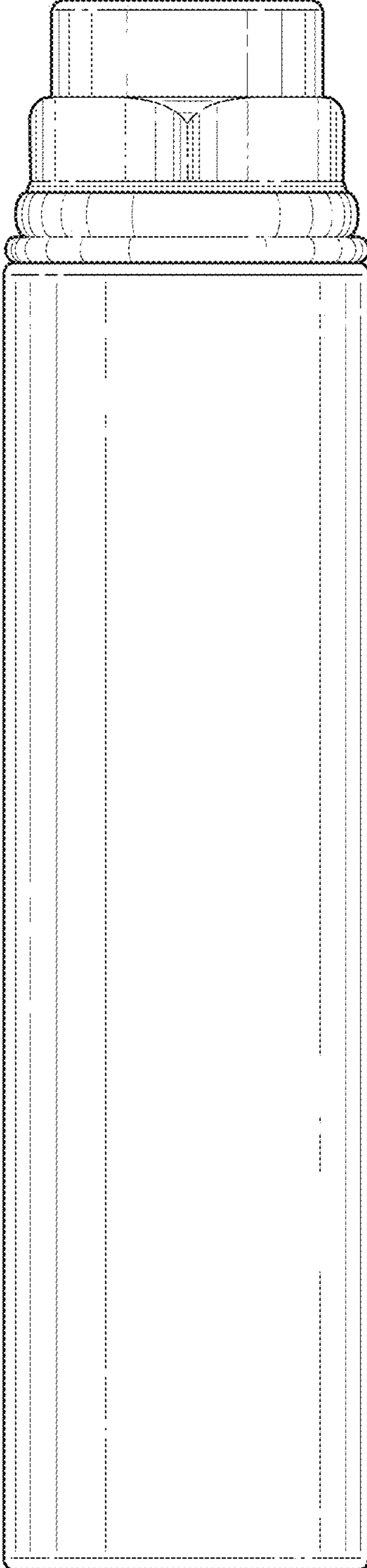


FIG. 2

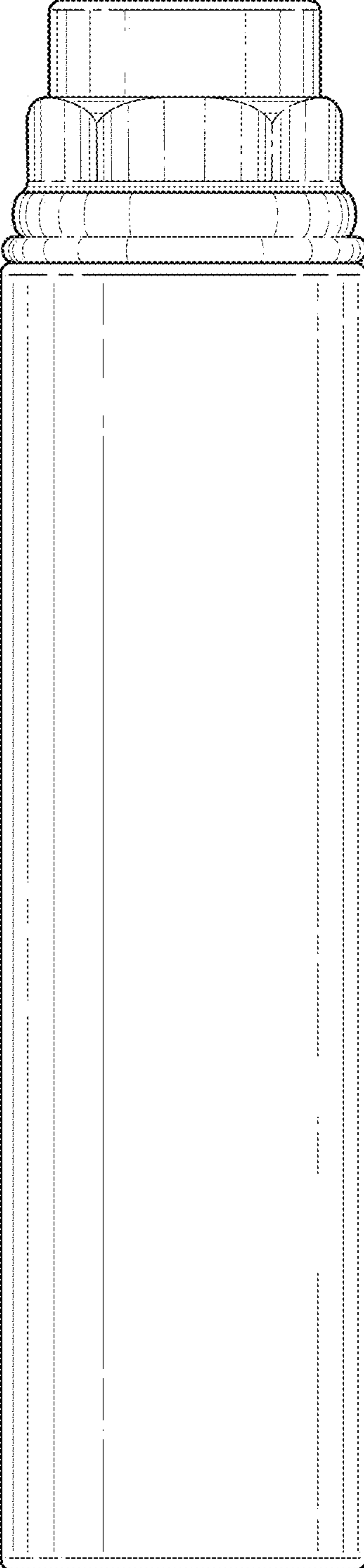


FIG. 3

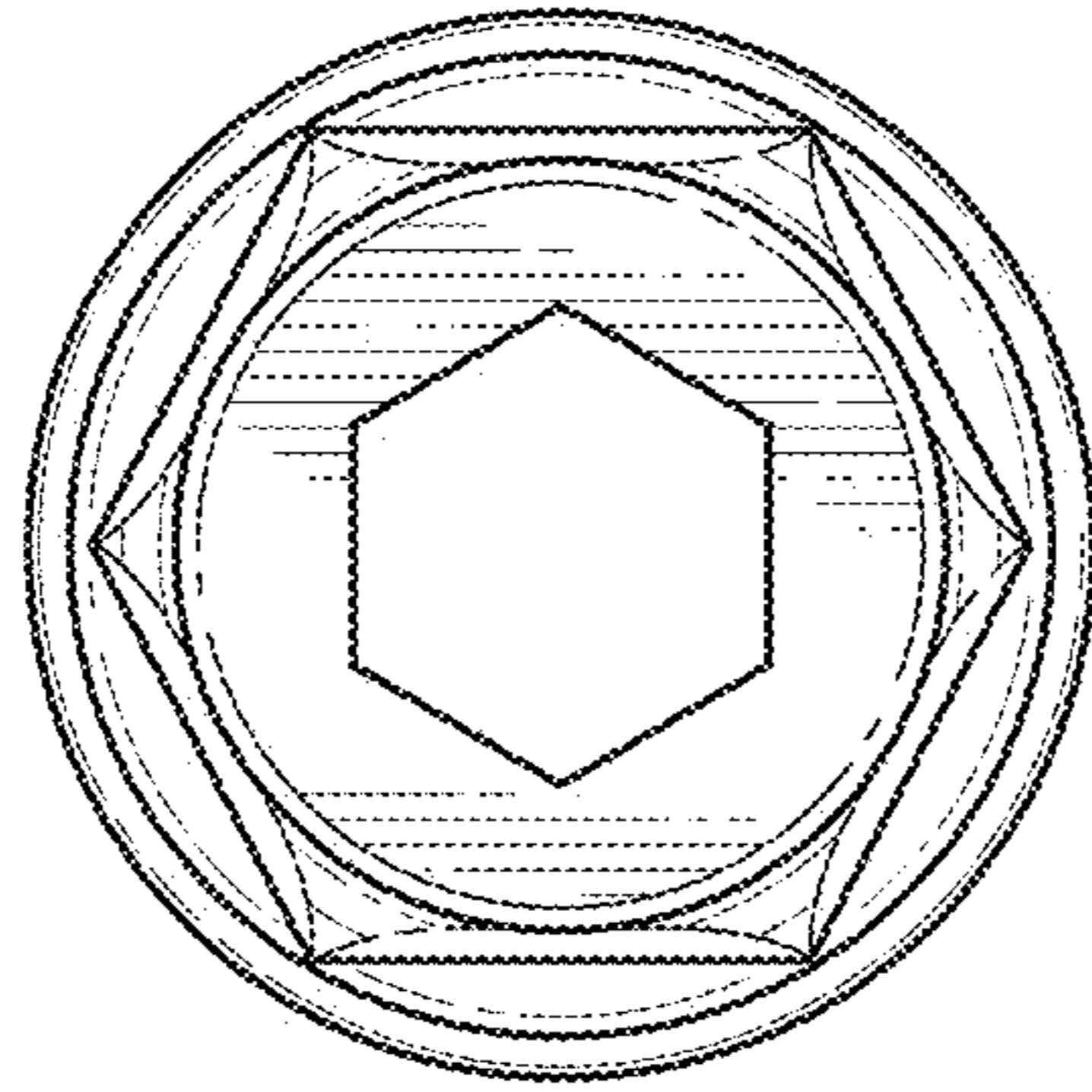


FIG. 4

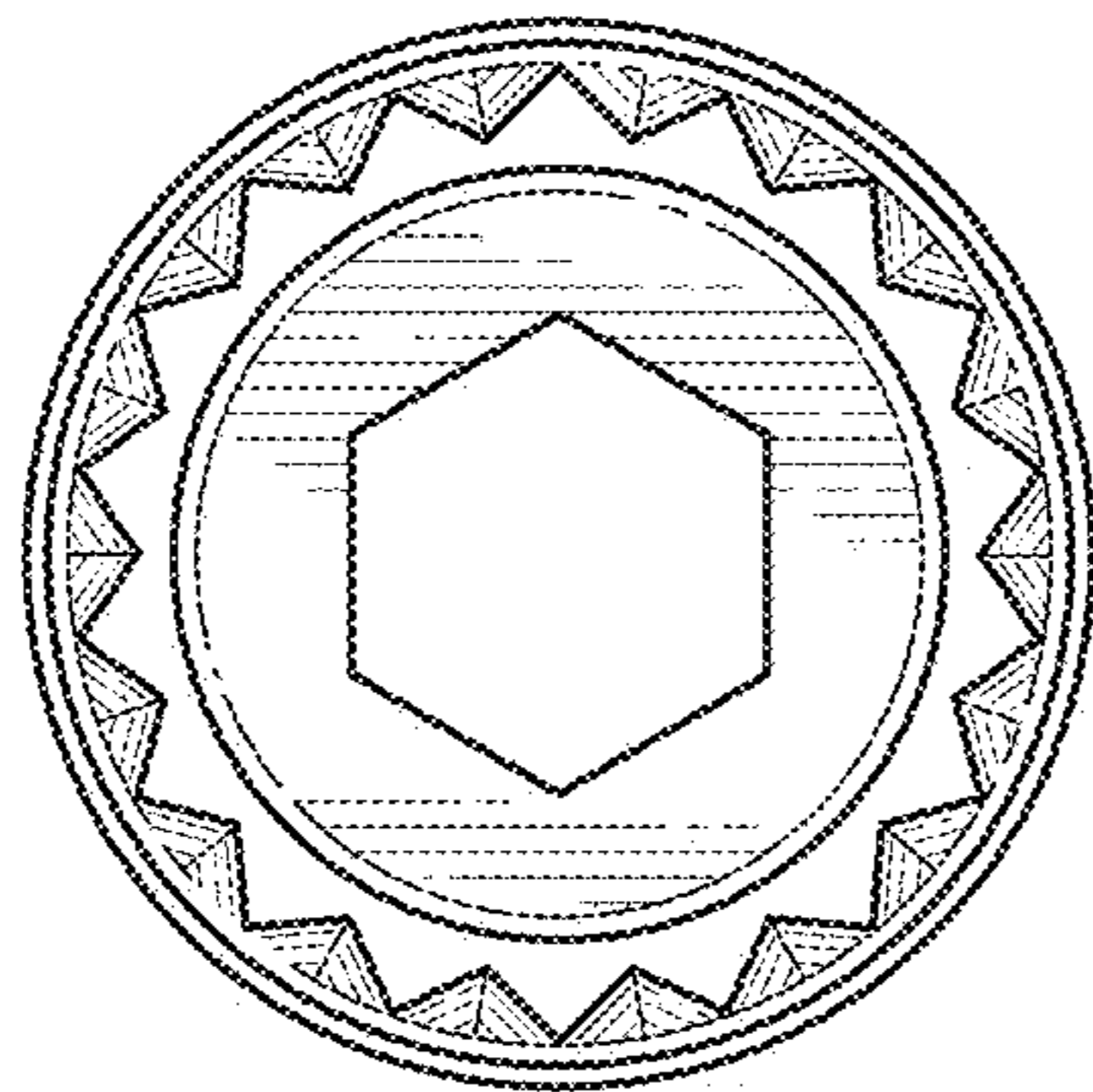


FIG. 5

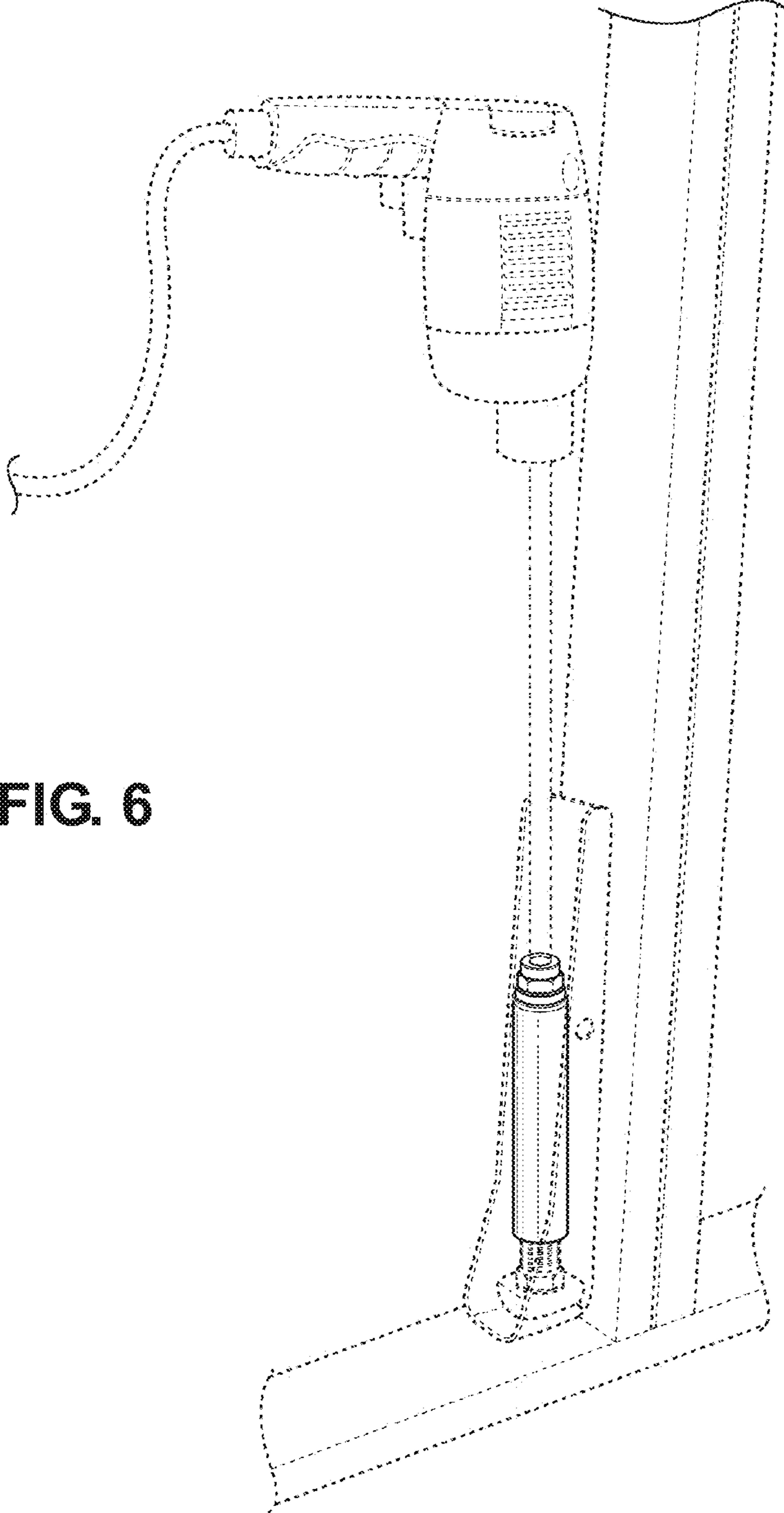


FIG. 6