



US00D684022S

(12) **United States Design Patent**
Kim

(10) **Patent No.:** **US D684,022 S**

(45) **Date of Patent:** **** Jun. 11, 2013**

(54) **CUTTING BOARD**

(75) Inventor: **Dong-Kyu Kim, Yong-Si (KR)**

(73) Assignee: **Wellos Korea Co., Ltd., Seongnam-si (KR)**

(**) Term: **14 Years**

(21) Appl. No.: **29/428,545**

(22) Filed: **Jul. 31, 2012**

(51) **LOC (9) Cl.** **07-04**

(52) **U.S. Cl.**
USPC **D7/698; D7/699**

(58) **Field of Classification Search**
USPC D7/354, 359-360, 368, 392.1, 396.1, D7/409, 412, 505, 549, 550.1, 552.1-552.2, D7/553.1-553.5, 553.8, 554.3-554.4, 555, D7/586, 637, 673, 698-699; D8/71; D19/88; 99/324, 357, 449-450; 269/13-16, 289 R, 269/302.1, 575; 434/295

See application file for complete search history.

(56) **References Cited**

U.S. PATENT DOCUMENTS

D94,870 S * 3/1935 Buck D7/553.2
4,203,231 A * 5/1980 Van Note 434/295

6,932,336 B1 * 8/2005 Nudo 269/302.1
D519,016 S * 4/2006 Nudo D8/71
D543,423 S * 5/2007 Benson D7/698
D549,531 S * 8/2007 Kishbaugh et al. D7/698
D563,180 S * 3/2008 Young et al. D7/698
D583,199 S * 12/2008 Johnson et al. D7/698
D661,354 S * 6/2012 Karnis D19/88
D664,405 S * 7/2012 Chen D7/698

* cited by examiner

Primary Examiner — Ricky Pham

(74) *Attorney, Agent, or Firm* — Christie, Parker & Hale, LLP

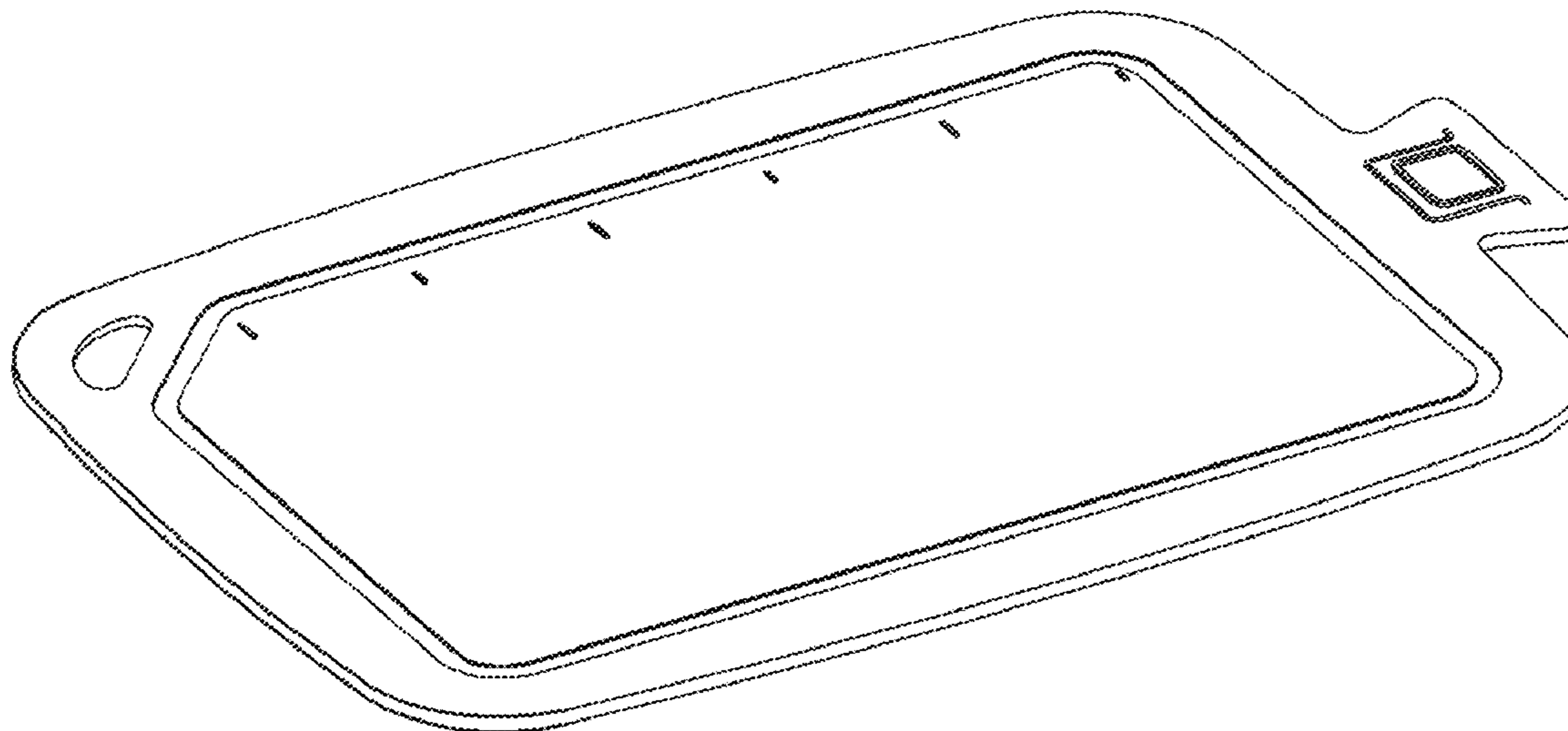
(57) **CLAIM**

The ornamental design for a cutting board, as shown and described.

DESCRIPTION

FIG. 1 is a front perspective view of the cutting board;
FIG. 2 is a front view thereof;
FIG. 3 is a rear view thereof;
FIG. 4 is a left side view thereof;
FIG. 5 is a right side view thereof;
FIG. 6 is a top view thereof; and,
FIG. 7 is a bottom view thereof.

1 Claim, 5 Drawing Sheets



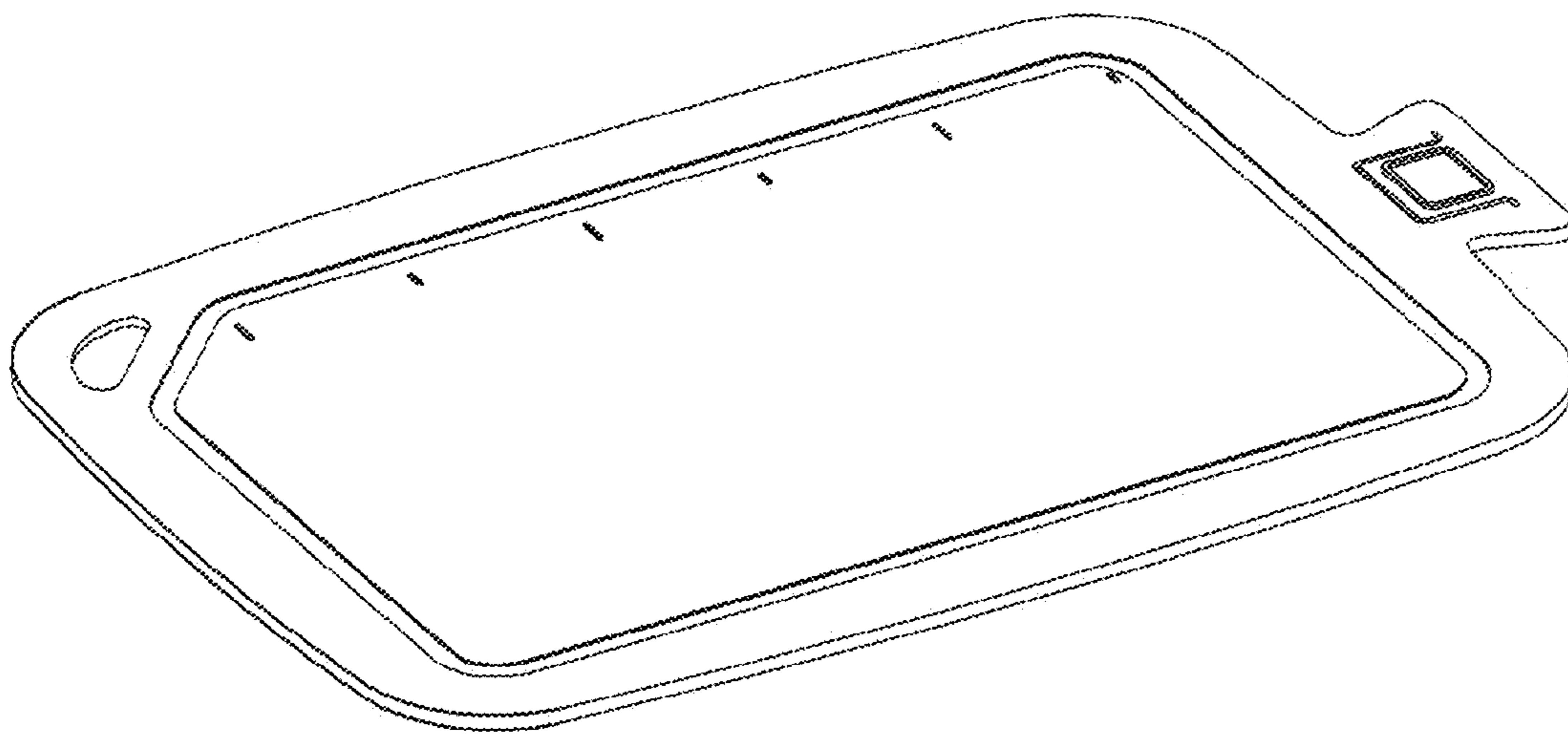


FIG. 1

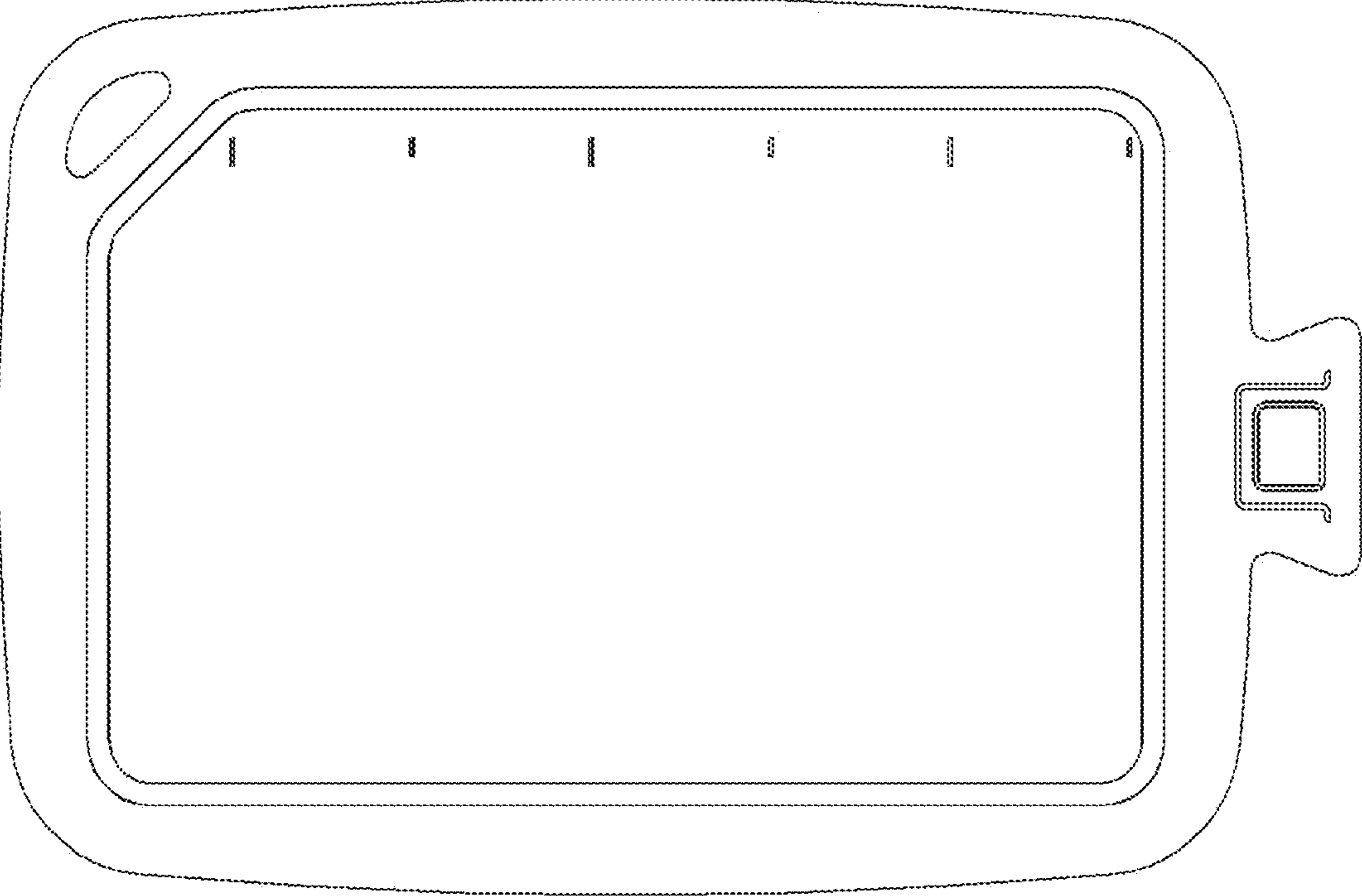


FIG. 2

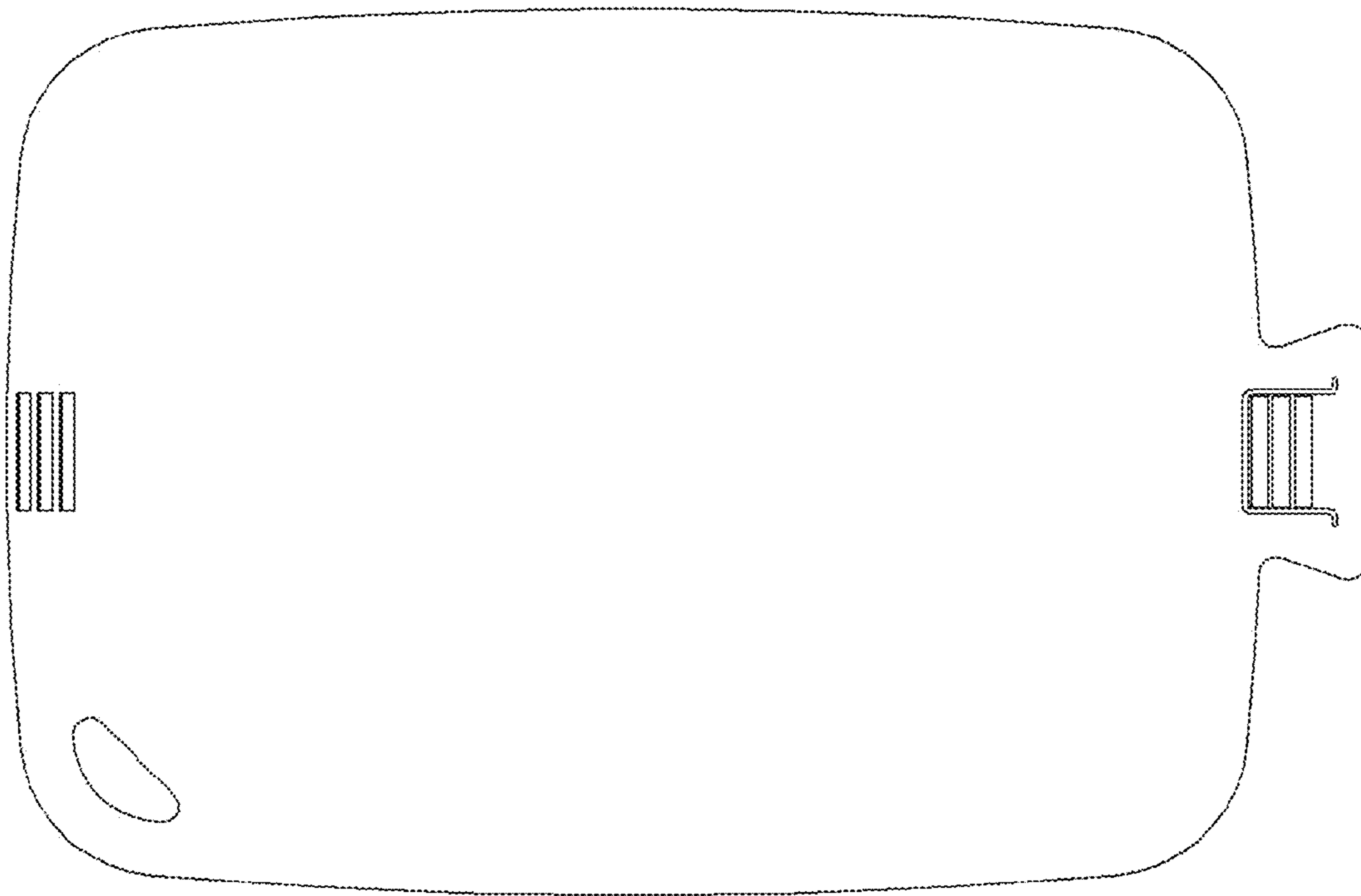


FIG. 3



FIG. 4

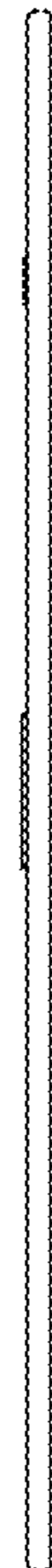


FIG. 5

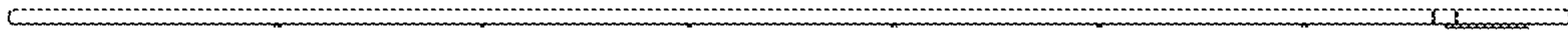


FIG. 6

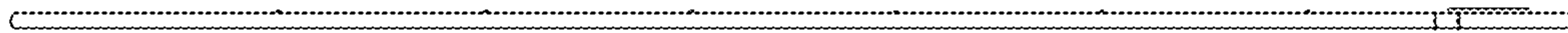


FIG. 7

UNITED STATES PATENT AND TRADEMARK OFFICE
CERTIFICATE OF CORRECTION

PATENT NO. : D684,022 S
APPLICATION NO. : 29/428545
DATED : June 11, 2013
INVENTOR(S) : Dong-Kyu Kim

Page 1 of 1

It is certified that error appears in the above-identified patent and that said Letters Patent is hereby corrected as shown below:

On the Title Page,

item (75) Inventor

Delete "Yong-Si"

Insert -- Yongin-Si --

Signed and Sealed this
Fifteenth Day of July, 2014



Michelle K. Lee
Deputy Director of the United States Patent and Trademark Office