



US00D684021S

(12) **United States Design Patent**  
**Lion et al.**

(10) **Patent No.:** **US D684,021 S**  
(45) **Date of Patent:** **\*\* Jun. 11, 2013**

(54) **PEELER**

D576,847 S \* 9/2008 Pan ..... D7/695

(75) Inventors: **Mathieu Lion**, Paris (FR); **Anne Tanguy**, Paris (FR)

\* cited by examiner

(73) Assignee: **Mastrad, S.A.**, Paris (FR)

*Primary Examiner* — Terry Wallace

(\*\*) Term: **14 Years**

(74) *Attorney, Agent, or Firm* — Novak Druce Connolly Bove + Quigg LLP

(21) Appl. No.: **29/428,895**

(57) **CLAIM**

The ornamental design for a peeler, as shown and described.

(22) Filed: **Aug. 3, 2012**

**DESCRIPTION**

(51) **LOC (9) Cl.** ..... **07-04**

(52) **U.S. Cl.**

USPC ..... **D7/695**

(58) **Field of Classification Search**

USPC ..... D7/693–696, 368, 669; 99/485, 495, 99/567, 568, 584, 585, 588; 30/120.1, 278, 30/279.2, 279.4, 279.6, 280, 281, 282, 123.5, 30/294; 241/92–95, 168, 169, 169.1, 273.1–273.4

See application file for complete search history.

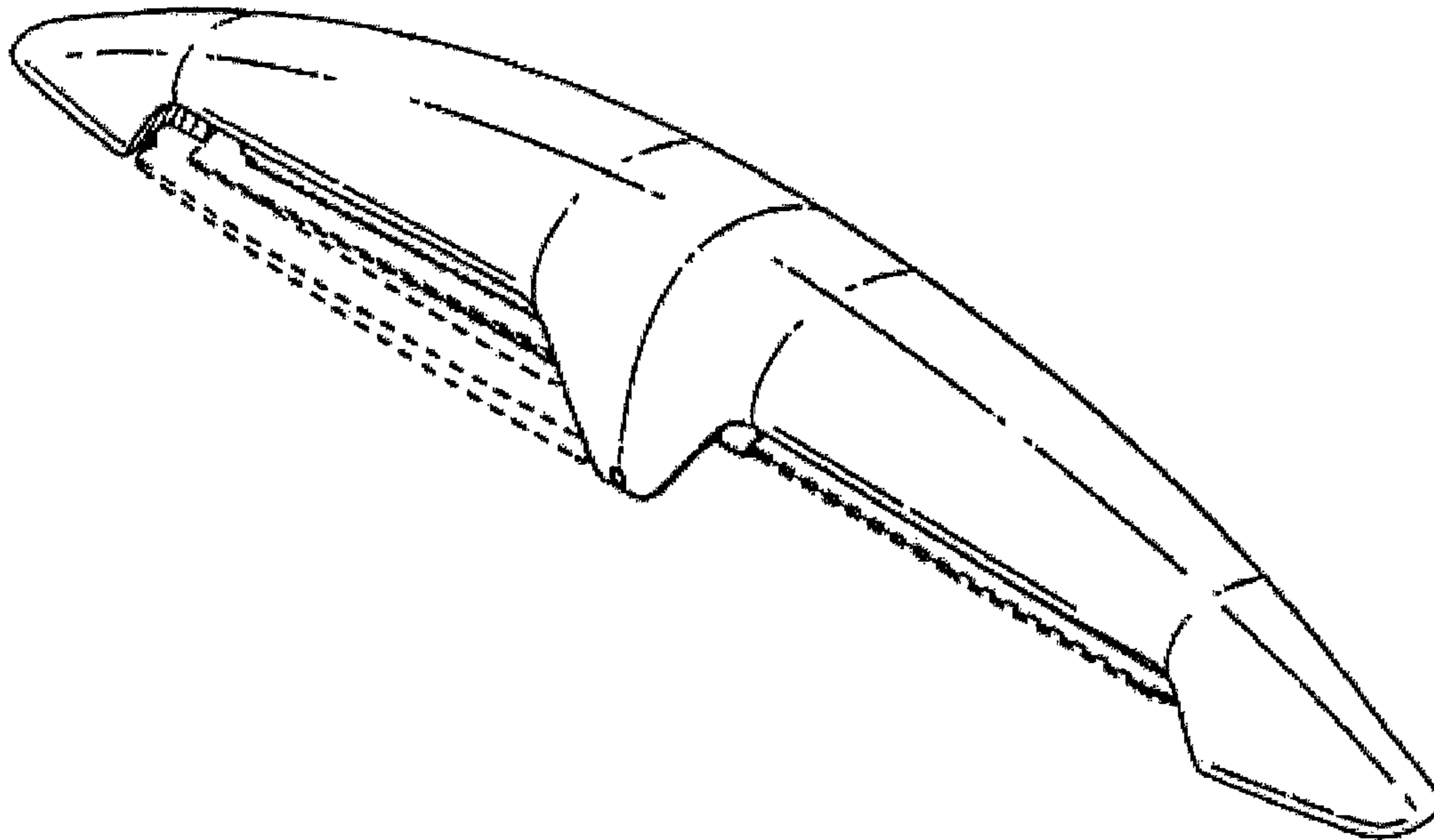
FIG. 1 is a perspective view of the peeler;  
FIG. 2 is an exploded perspective view of the peeler showing the pivoting cover, blades and peeler body;  
FIG. 3 is a top plan of the peeler of FIG. 1;  
FIG. 4 is a bottom plan view of the peeler of FIG. 1;  
FIG. 5 is a front side view of the peeler of FIG. 1, with the rear side view being an identical mirror image;  
FIG. 6 is a right side view of the peeler of FIG. 1;  
FIG. 7 is a left side view of the peeler of FIG. 1;  
FIG. 8 is a cross sectional view of the peeler taken along axis 8-8 of FIG. 6; and,  
FIG. 9 is a bottom plan view of the peeler body.  
The portions represented by broken lines form no part of the claimed design.

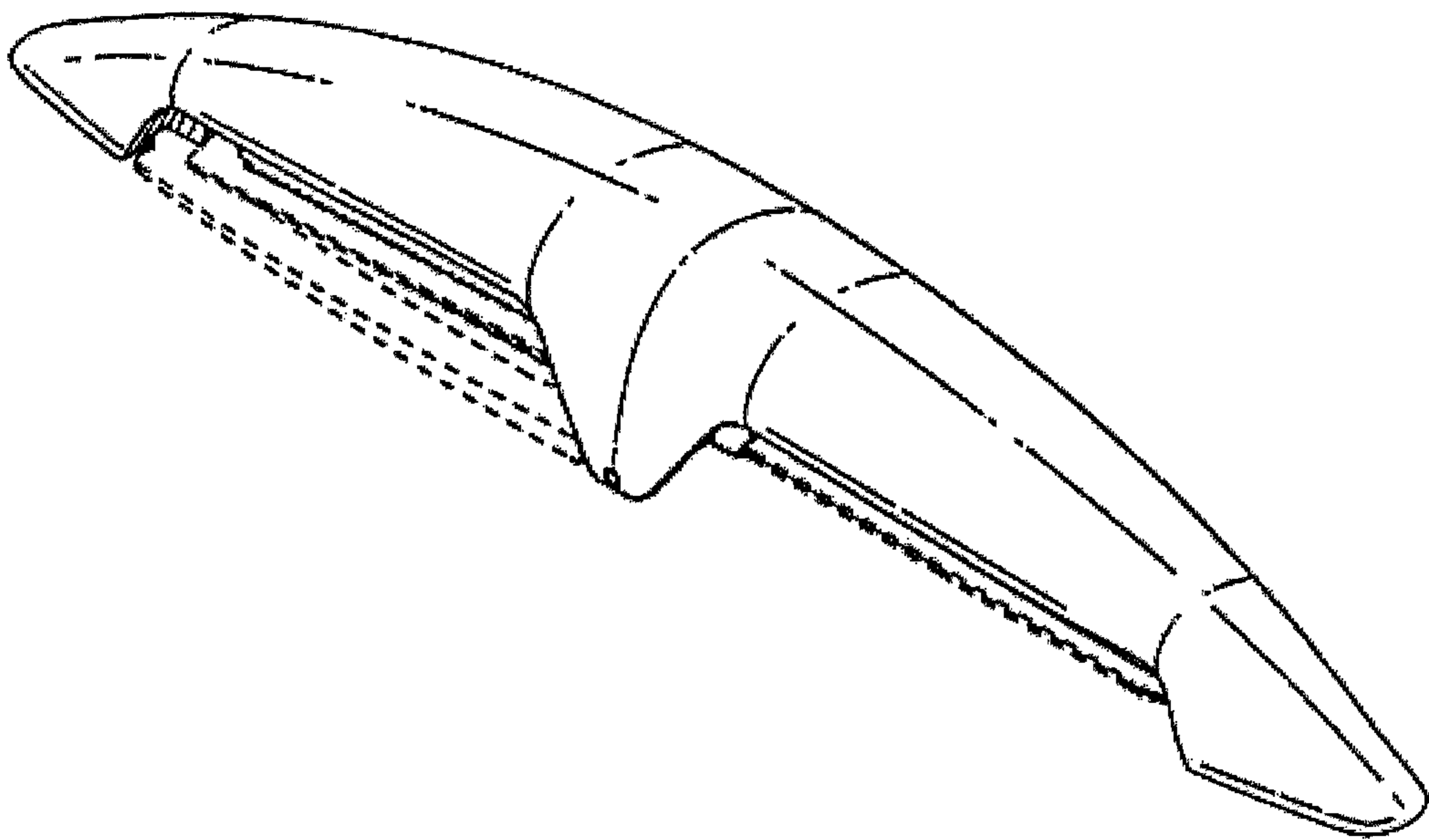
(56) **References Cited**

**U.S. PATENT DOCUMENTS**

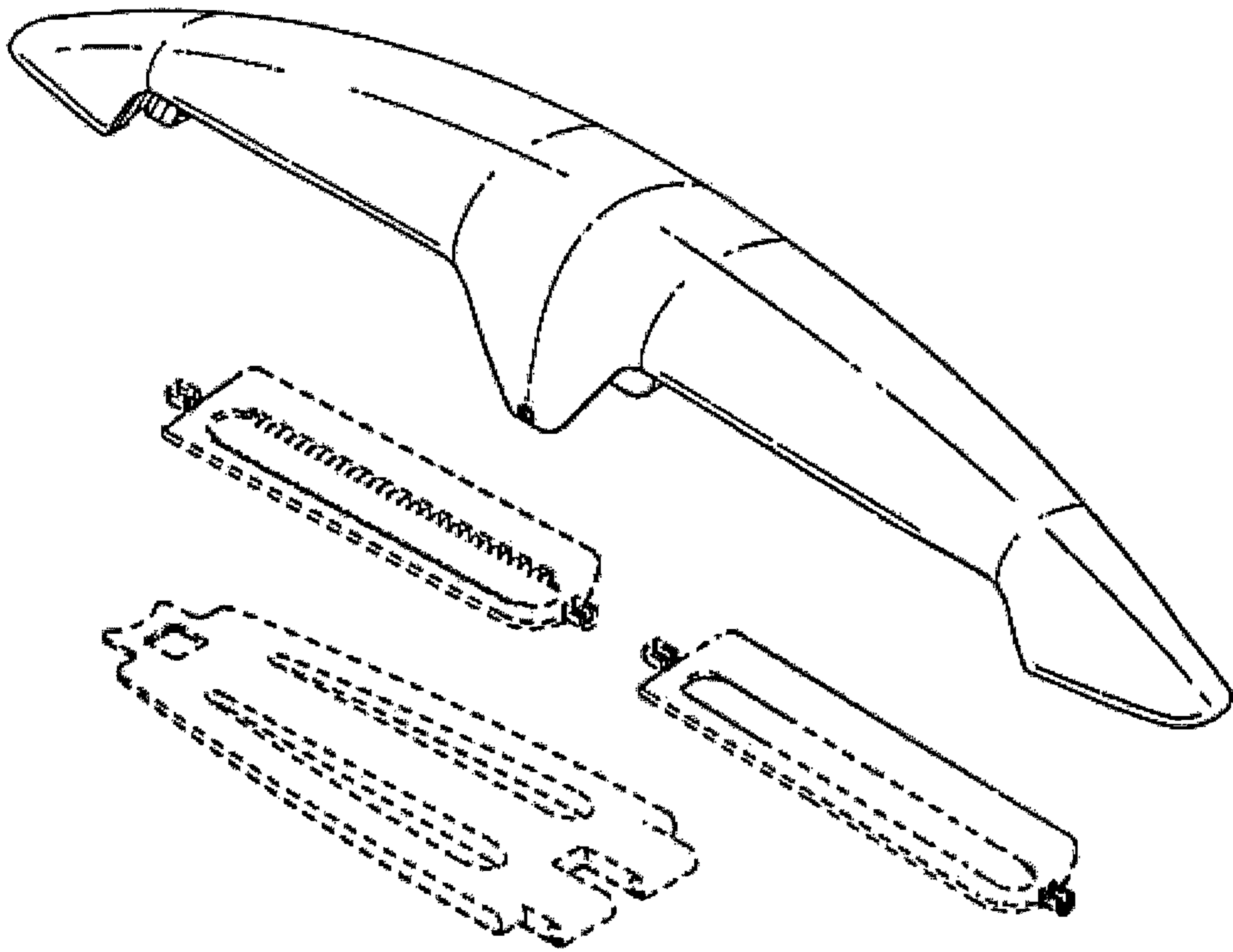
D148,771 S \* 2/1948 Davis ..... D7/695  
6,671,964 B2 \* 1/2004 Ruiz ..... 30/123.6  
D509,712 S \* 9/2005 Lee ..... D7/695

**1 Claim, 9 Drawing Sheets**

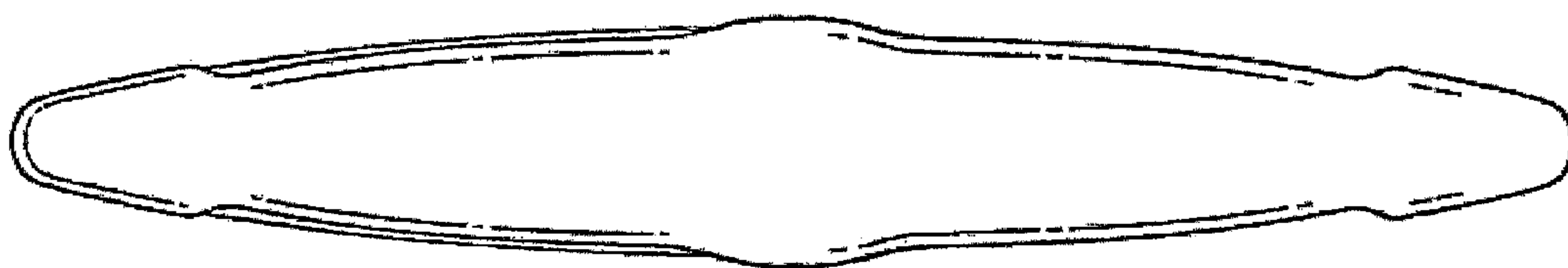




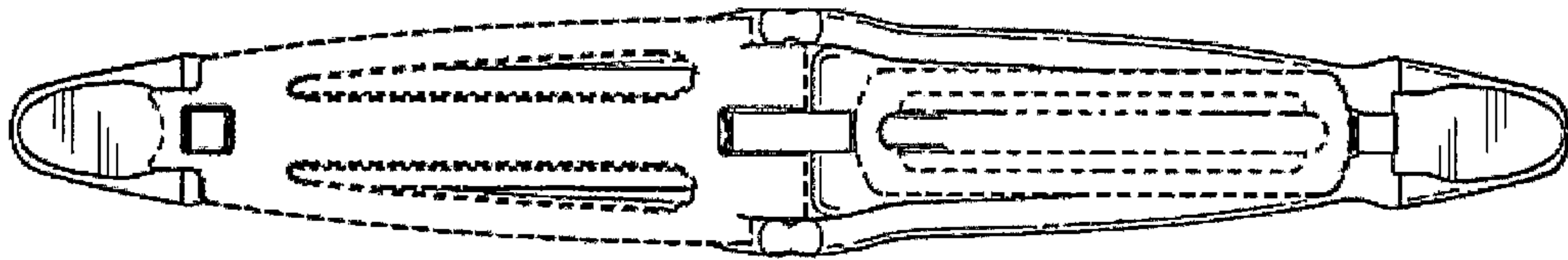
*Fig. 1*



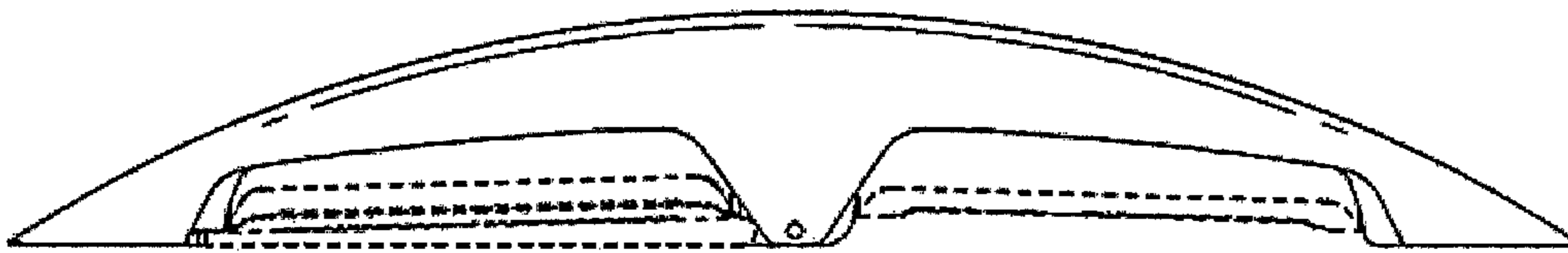
*Fig. 2*



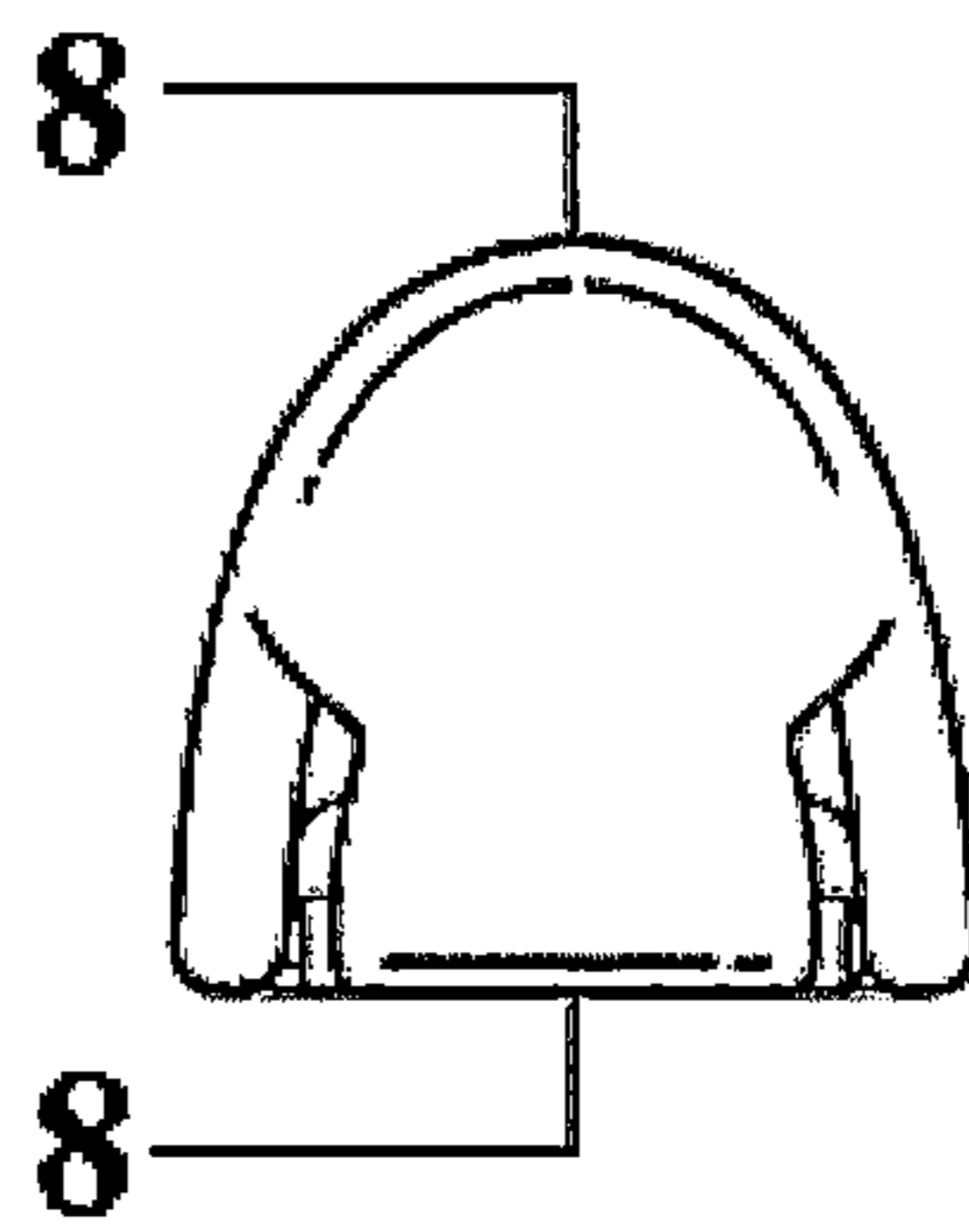
*Fig. 3*



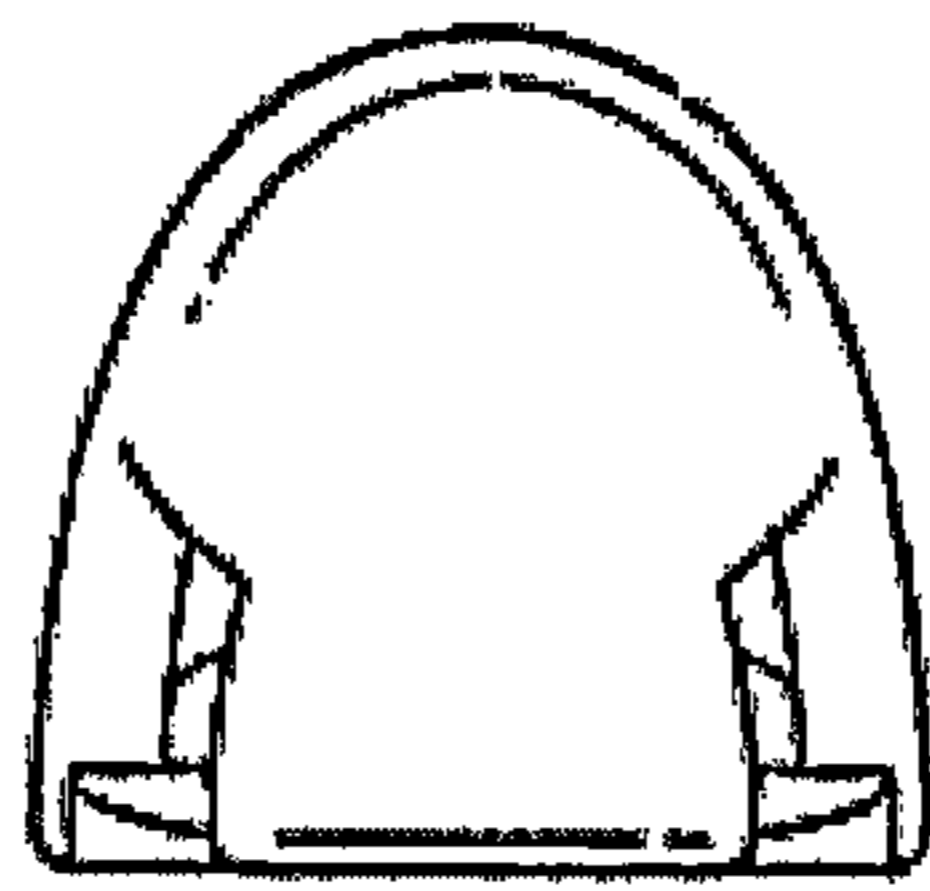
*Fig. 4*



*Fig. 5*

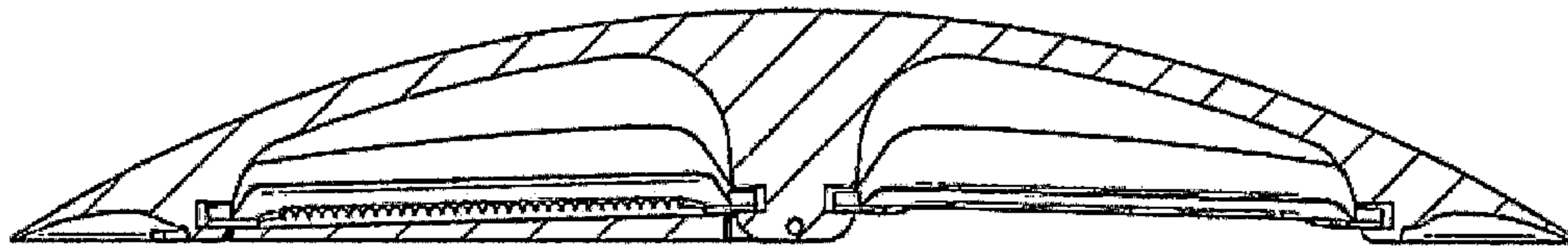


*Fig. 6*

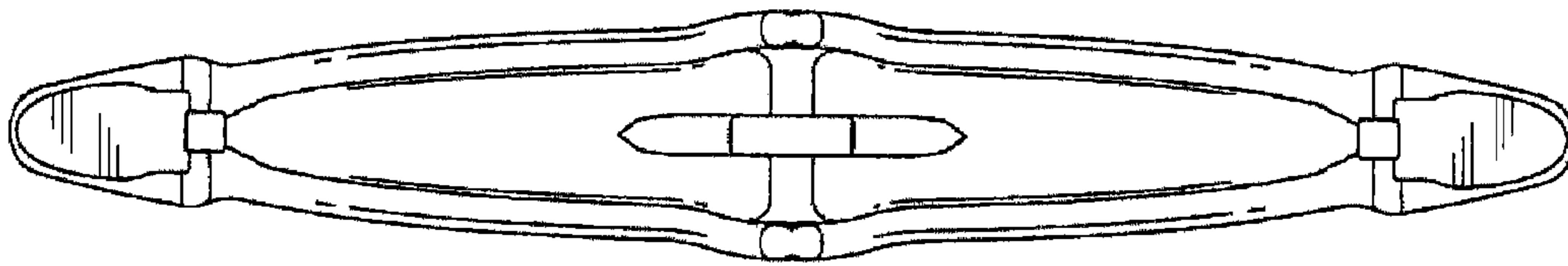


*Fig. 7*





*Fig. 8*



*Fig. 9*