



US00D684020S

(12) **United States Design Patent**  
**Patel et al.**

(10) **Patent No.:** **US D684,020 S**  
(45) **Date of Patent:** **\*\* Jun. 11, 2013**

(54) **HANDHELD KITCHEN CUTTING APPLIANCE**  
(71) Applicant: **Knightsbridge PME Limited**, Enfield (GB)  
(72) Inventors: **Shailesh Patel**, Ilford (GB); **David James Hunter**, Harrow (GB)  
(73) Assignee: **Knightsbridge PME Limited**, Enfield (GB)

D203,612 S \* 2/1966 Waller, Jr. .... D7/677  
3,924,326 A \* 12/1975 Di Gaetano ..... 30/120.2  
D244,416 S 5/1977 Zysset  
4,029,012 A 6/1977 Smith  
4,245,973 A \* 1/1981 Greaney ..... 425/276  
D268,318 S \* 3/1983 Lutzker ..... D7/669  
D270,510 S 9/1983 Miller  
4,765,029 A 8/1988 Rogan  
5,261,325 A 11/1993 Bengtsson  
5,499,914 A 3/1996 Rist  
D379,368 S 5/1997 Harden  
D397,277 S \* 8/1998 Gibbs, Jr. .... D7/696  
D401,482 S \* 11/1998 De Are ..... D7/677

(\*\*) Term: **14 Years**

(Continued)

(21) Appl. No.: **29/433,220**

**OTHER PUBLICATIONS**

(22) Filed: **Sep. 27, 2012**

Knightsbridge PME 2006 catalog, p. 15.  
Ateco web page describing "Four Ring Stamp", [https://www.atecouse.net/Merchant2/merchant.mvc?Screen=PROD&producte\\_Code=1473&Category\\_Code=csets&Product\\_Count=4](https://www.atecouse.net/Merchant2/merchant.mvc?Screen=PROD&producte_Code=1473&Category_Code=csets&Product_Count=4) date unknown.

(30) **Foreign Application Priority Data**

Mar. 29, 2012 (EM) ..... 002017004-0003

(Continued)

(51) **LOC (9) Cl.** ..... **07-02**

*Primary Examiner* — Terry Wallace

(52) **U.S. Cl.**  
USPC ..... **D7/693; D7/672**

(74) *Attorney, Agent, or Firm* — Howson & Howson LLP

(58) **Field of Classification Search**  
USPC ..... D7/672-677, 693; 99/537; 30/114, 30/130, 152, 301, 303, 305, 314, 315; 249/117, 249/135; 425/276, 279, 281, 289, 299  
See application file for complete search history.

(57) **CLAIM**

The ornamental design for a handheld kitchen cutting appliance, as shown and described.

**DESCRIPTION**

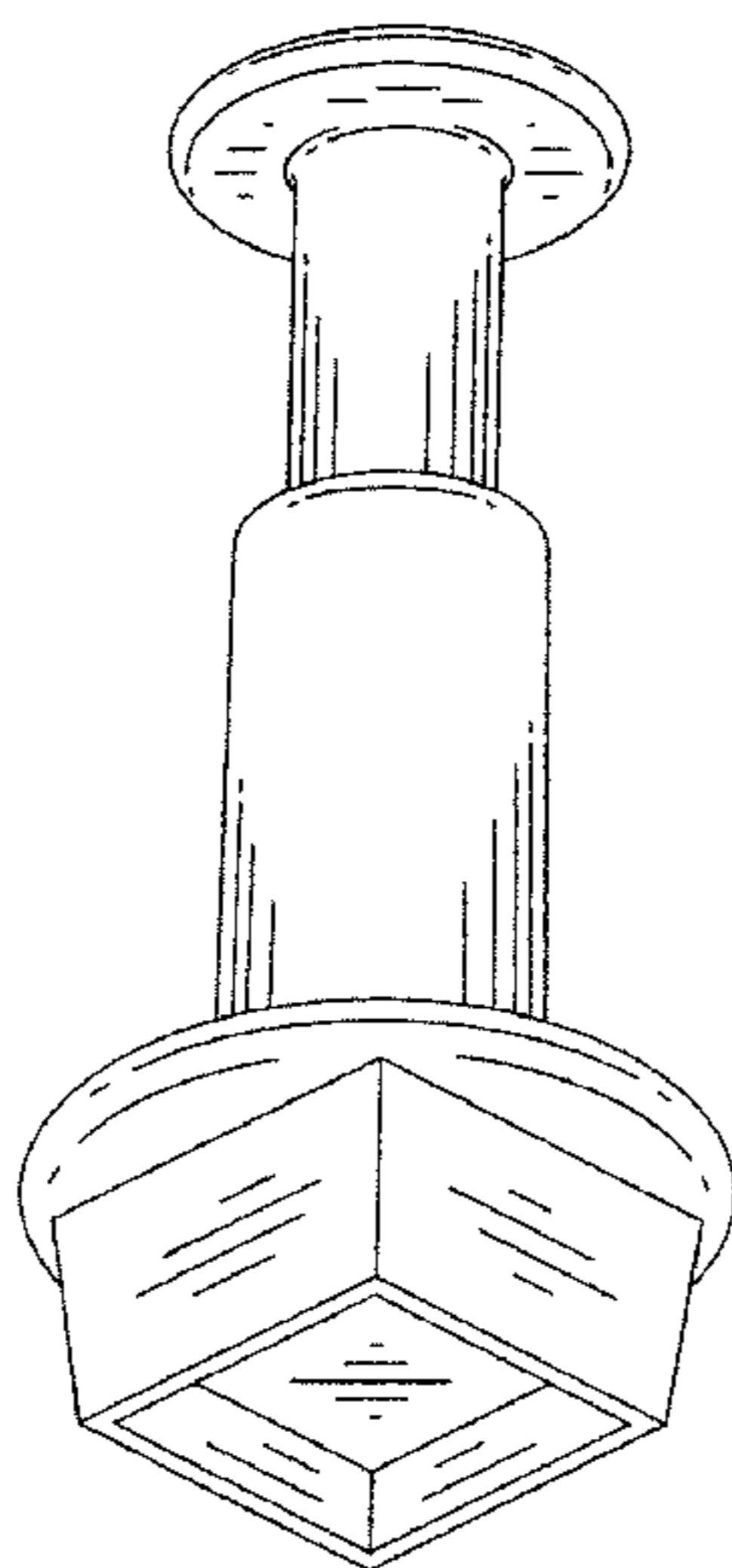
(56) **References Cited**

**U.S. PATENT DOCUMENTS**

607,076 A 7/1898 Poll  
1,031,243 A 7/1912 Carnes  
1,618,685 A 2/1927 Stauffer  
2,008,725 A 7/1935 Parker  
2,052,510 A 8/1936 Woolverton  
2,605,498 A 8/1952 Manton  
2,620,755 A 12/1952 Lewis  
2,779,097 A 1/1957 Frazier  
2,837,761 A 6/1958 Stiegler  
3,053,203 A 9/1962 Gaddini

FIG. 1 is a perspective view of the top and front of the handheld kitchen cutting appliance, showing our new design; FIG. 2 is a top plan view thereof; FIG. 3 is a bottom plan view thereof; FIG. 4 is an elevational view as seen from the top of FIG. 3; and, FIG. 5 is a perspective view of the bottom and front thereof. The elevational views as seen from the left, right and bottom of FIG. 3 are identical to the elevational view shown in FIG. 4.

**1 Claim, 4 Drawing Sheets**



U.S. PATENT DOCUMENTS

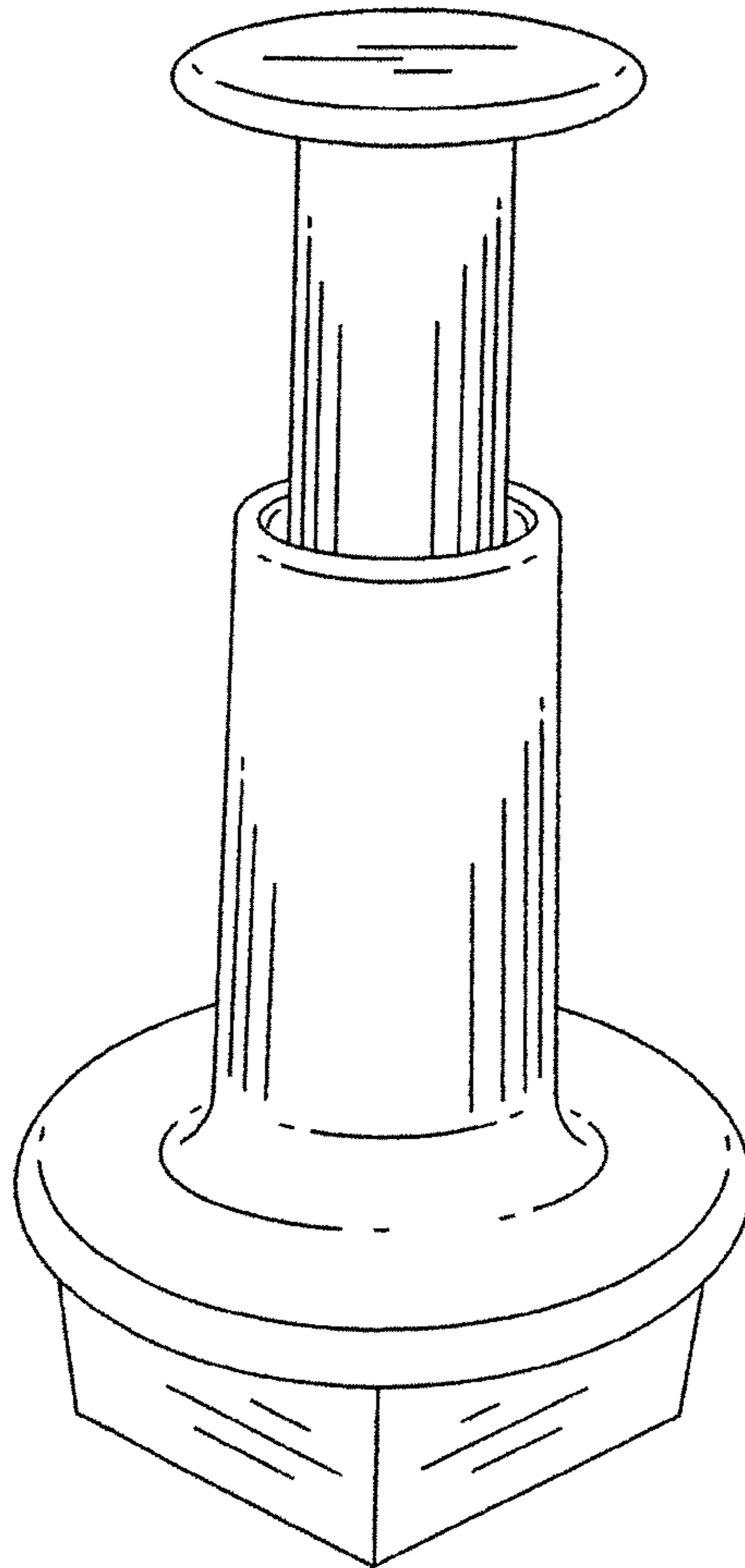
D409,055 S \* 5/1999 Johnson et al. .... D7/677  
6,990,892 B2 1/2006 Errera  
7,331,776 B2 2/2008 Errera  
D629,661 S 12/2010 Lion  
8,230,604 B1 7/2012 Corey  
2002/0112354 A1 \* 8/2002 Camillo et al. .... 30/315  
2011/0014373 A1 1/2011 Perry

OTHER PUBLICATIONS

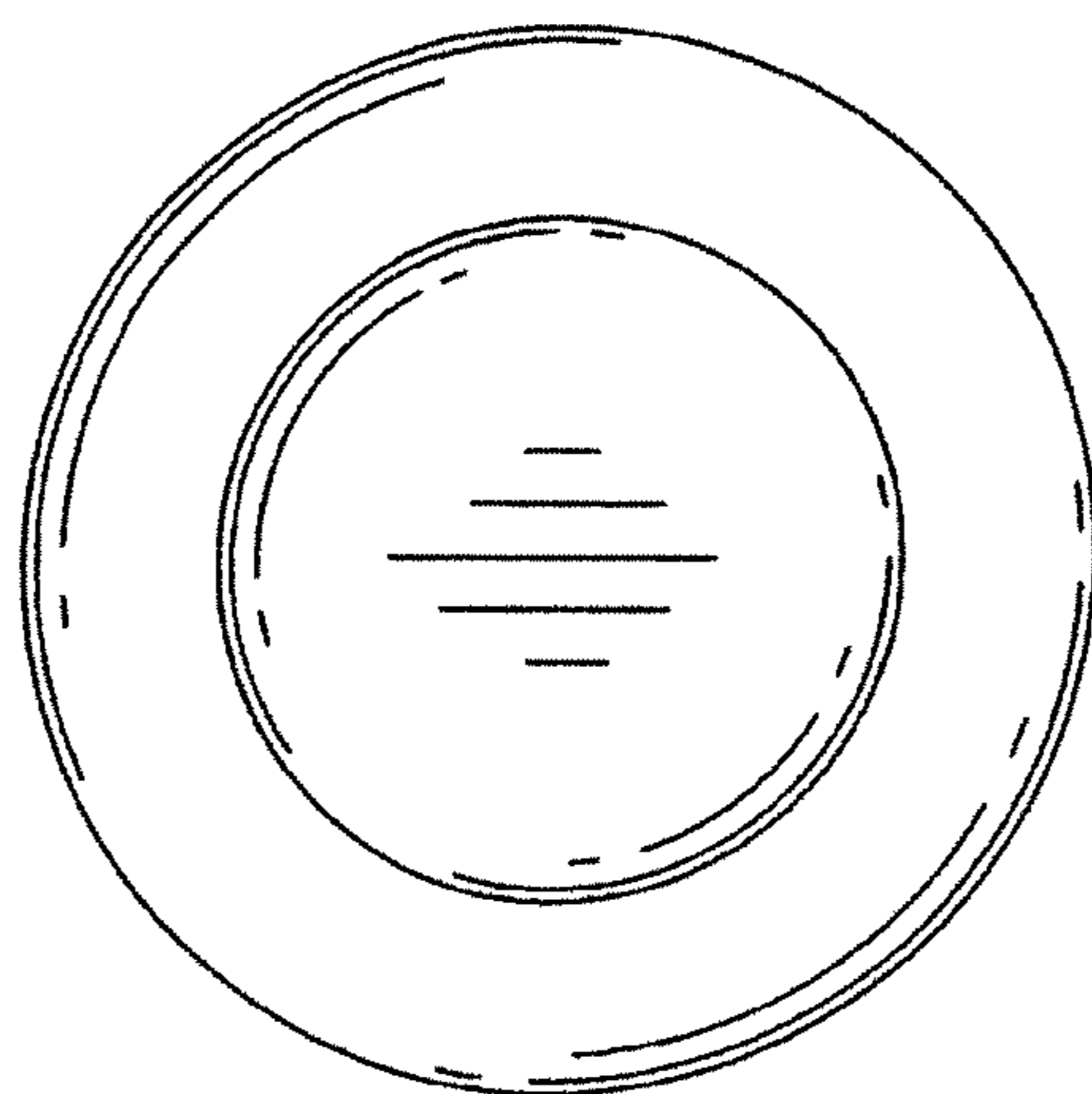
KitchenKrafts web page depicting Cupcake Corer/Plunger. <http://www.kitchenkrafts.com/petit-four-cutter-set-9-pc-/p/CD2009/sid/CHAMP/> date unknown.

Unpublished U.S. Appl. No. 29/433,221 for Handheld Kitchen Cutting Appliance.  
Unpublished U.S. Appl. No. 29/400,531 for Handheld Kitchen Cutting Appliance.  
Unpublished U.S. Appl. No. 29/433,217 for Handheld Kitchen Cutting Appliance.  
Unpublished U.S. Appl. No. 29/433,216 for Handheld Kitchen Cutting Appliance.  
Unpublished U.S. Appl. No. 29/400,532 for Handheld Kitchen Cutting Appliance.  
Unpublished U.S. Appl. No. 29/397,009 for Handheld Kitchen Cutting Appliance.

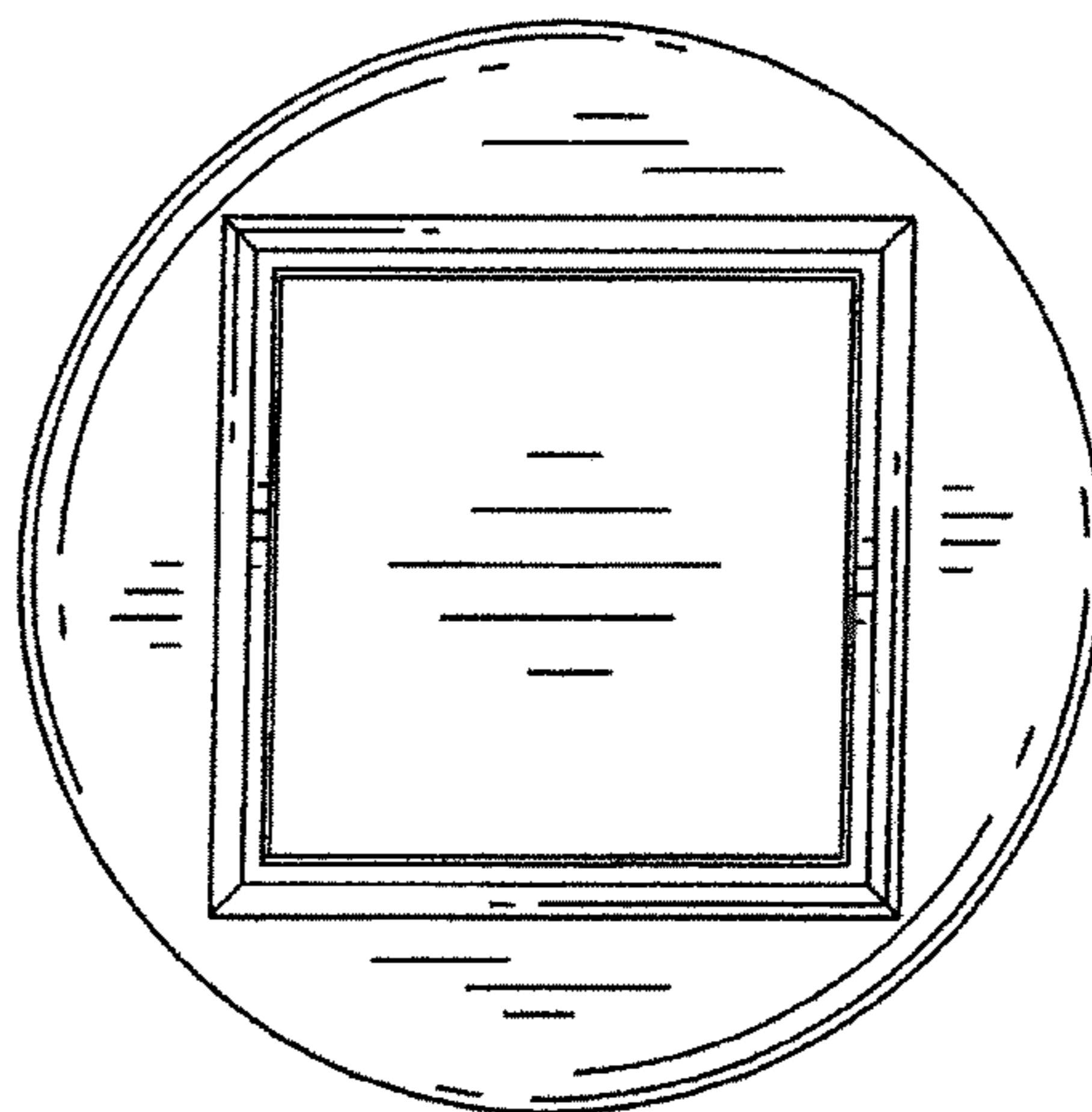
\* cited by examiner



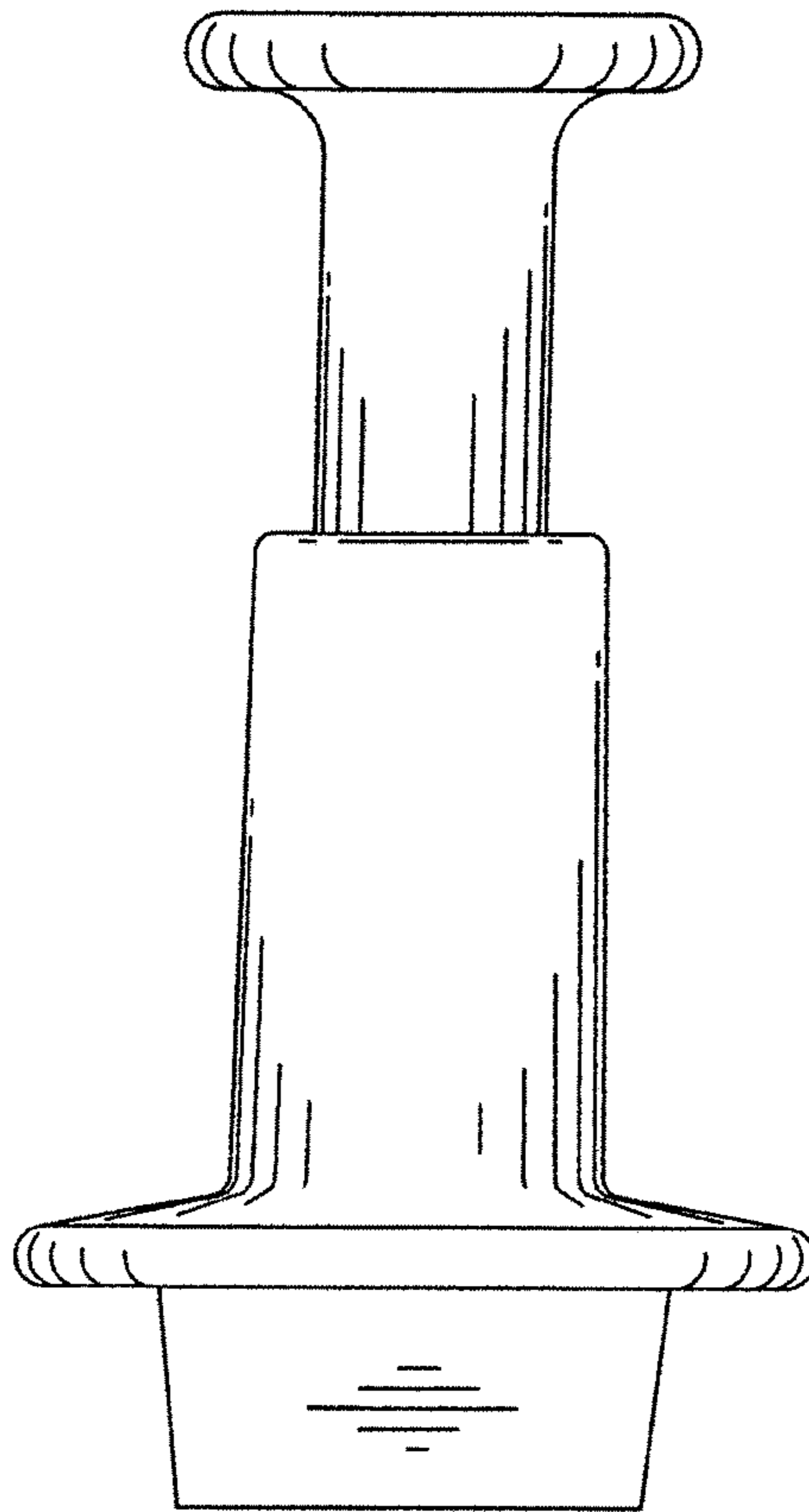
*Fig. 1*



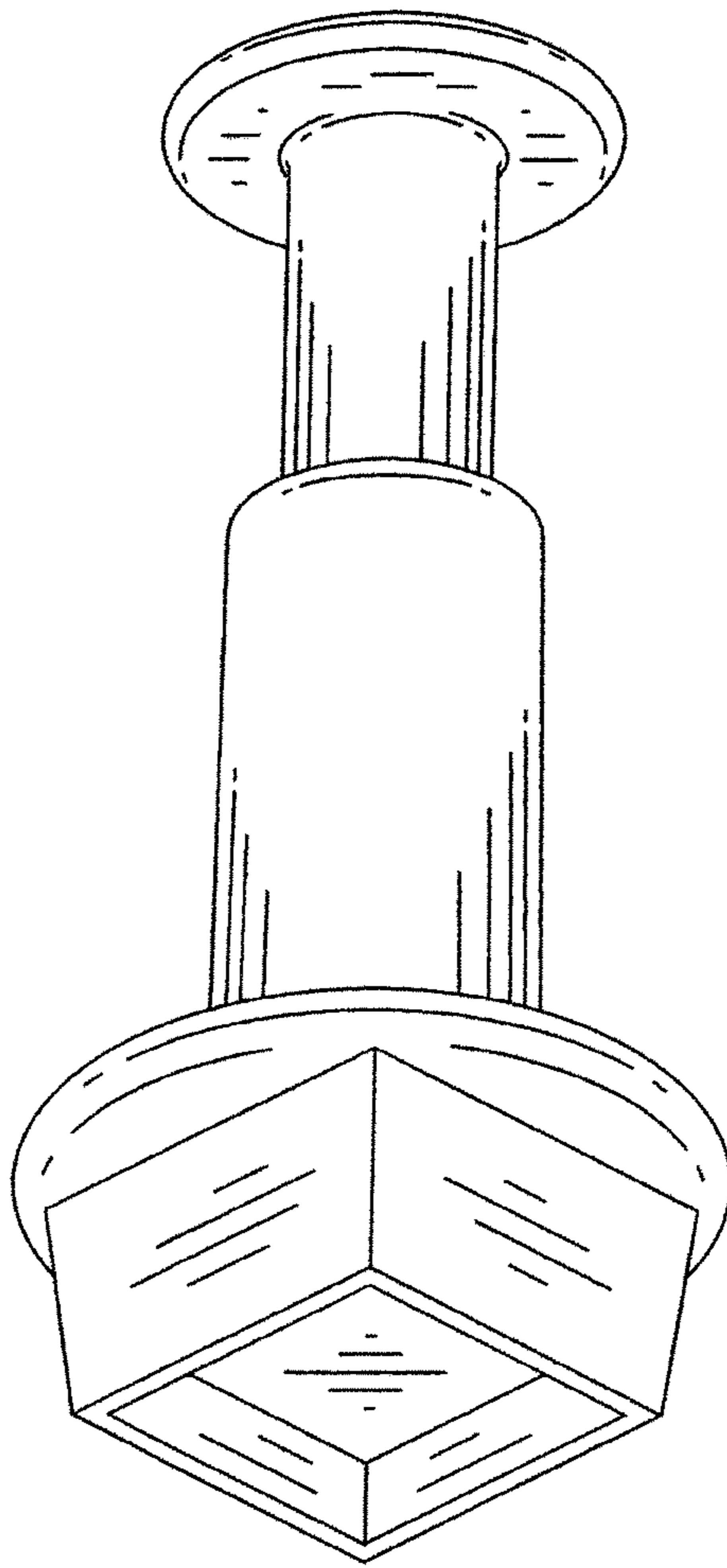
*Fig. 2*



*Fig. 3*



*Fig. 4*



*Fig. 5*