



US00D684019S

(12) **United States Design Patent**  
**Facey**

(10) **Patent No.:** **US D684,019 S**  
(45) **Date of Patent:** **\*\* Jun. 11, 2013**

(54) **CAKE POP MOLD**

(76) Inventor: **Jeanette Facey**, Osterville, MA (US)

(\*\*) Term: **14 Years**

(21) Appl. No.: **29/422,408**

(22) Filed: **May 21, 2012**

(51) **LOC (9) Cl.** ..... **07-04**

(52) **U.S. Cl.**  
USPC ..... **D7/674; D7/354**

(58) **Field of Classification Search**  
USPC ..... D7/672-677, 300, 354-364, 368,  
D7/369.4, 402, 410, 505, 506, 554.3-554.4,  
D7/601, 611, 654, 669, 680, 681, 683, 684,  
D7/685, 686, 687, 693; D9/341, 424-432,  
D9/449, 456, 737, 757, 758, 762; 249/91,  
249/92, 105, 168, 117, 118, 119, 121, 123,  
249/124, 130, 132, 135, 126, 170; 426/134,  
426/421, 515, 67, 68, 91, 95, 96;  
206/521.1-521.8; 220/675; D1/101, 102,  
D1/105, 103, 705

See application file for complete search history.

(56) **References Cited**

**U.S. PATENT DOCUMENTS**

398,139 A	2/1889	Eaton	
928,162 A	7/1909	Stewart	
1,388,094 A	8/1921	Buttigieg	
2,036,706 A *	4/1936	Law	426/85
D112,545 S	12/1938	Younghusband	
D117,346 S	10/1939	Brickley	
2,392,561 A	1/1946	Weber, Jr.	
D174,512 S *	4/1955	Owens et al.	D7/677
2,717,727 A	9/1955	Robb	
D179,230 S *	11/1956	Williamson	D7/677
3,059,279 A *	10/1962	Rossi	249/134
D196,985 S	11/1963	Schnering	
3,128,724 A	4/1964	Linder	
D200,806 S	4/1965	Pava	
D215,113 S	9/1969	Rasmusson	

(Continued)

**FOREIGN PATENT DOCUMENTS**

EP 89269 9/1983

**OTHER PUBLICATIONS**

Snowman Shaped Cake Pop Mini-Mold, [online], product reviewed on Nov. 13, 2012, retrieved on Mar. 15, 2013. Retrieved from, <URL: <http://www.mylittlecupcakepop.com/snowman-shaped-cake-pop-mini-mold/>>, 3 pages.\*

(Continued)

*Primary Examiner* — Ian Simmons

*Assistant Examiner* — Shannon Weekley

(74) *Attorney, Agent, or Firm* — Fish & Richardson P.C.

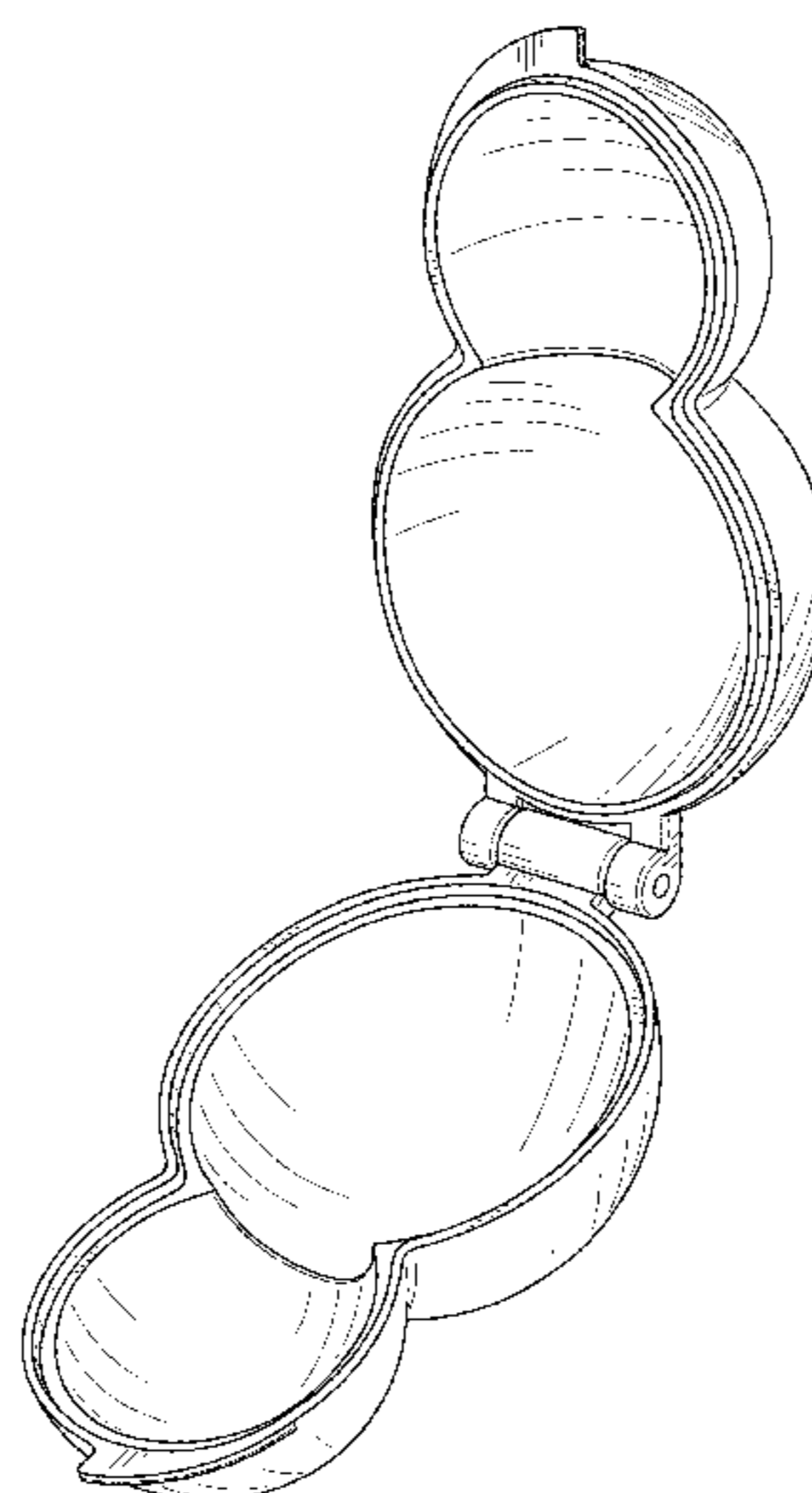
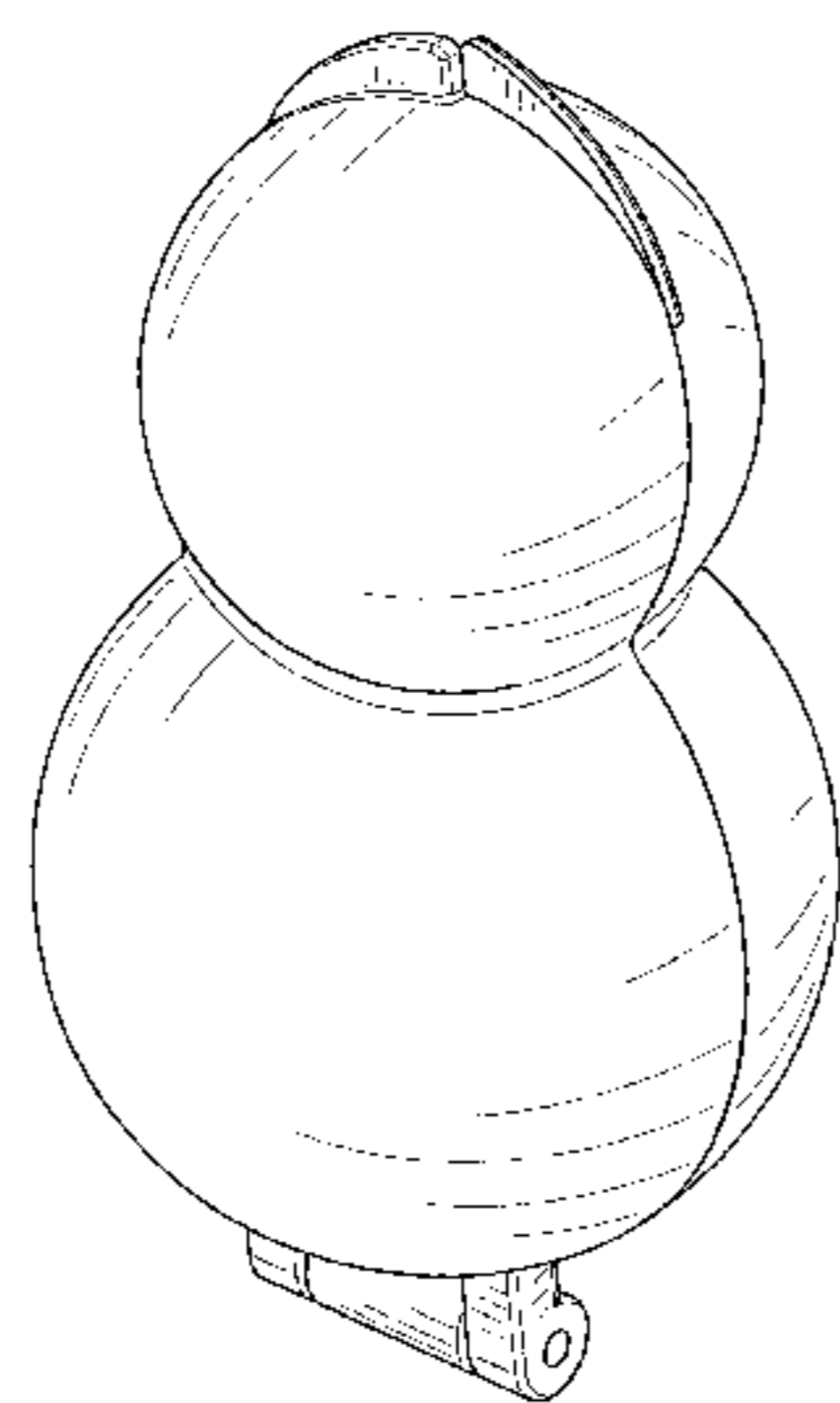
(57) **CLAIM**

The ornamental design for a cake pop mold, substantially as shown and described.

**DESCRIPTION**

FIG. 1 is a perspective view of the cake pop mold in a closed position;  
FIG. 2 is a front view of the cake pop mold in the closed position;  
FIG. 3 is a back view of the cake pop mold in the closed position;  
FIG. 4 is a right side view of the cake pop mold in the closed position;  
FIG. 5 is a left side view of the cake pop mold in the closed position;  
FIG. 6 is a top view of the cake pop mold in the closed position;  
FIG. 7 is a bottom view of the cake pop mold in the closed position; and,  
FIG. 8 is a perspective view of the cake pop mold in a partially open position.

**1 Claim, 4 Drawing Sheets**



U.S. PATENT DOCUMENTS

3,494,515 A 2/1970 Lazzaro  
 3,680,828 A 8/1972 Swett  
 D226,530 S 3/1973 Carasso  
 3,907,245 A 9/1975 Linder  
 3,934,809 A 1/1976 Fox et al.  
 3,937,438 A 2/1976 Fox et al.  
 3,966,165 A 6/1976 Psensky  
 4,076,207 A 2/1978 Austin  
 4,164,341 A \* 8/1979 McComb ..... 249/126  
 D253,988 S \* 1/1980 Eagar ..... D7/313  
 D254,716 S 4/1980 Mascia et al.  
 D255,988 S 7/1980 Mascia et al.  
 4,244,470 A \* 1/1981 Burnham ..... 206/525  
 4,248,578 A 2/1981 Worden  
 4,273,249 A 6/1981 Florian  
 D268,037 S 2/1983 Wiseltier et al.  
 D270,600 S 9/1983 Miller  
 4,795,033 A 1/1989 Duffy  
 4,840,276 A 6/1989 George  
 D303,474 S 9/1989 Wolff  
 D306,406 S 3/1990 Pierce et al.  
 D320,939 S 10/1991 Hofmann et al.  
 D324,106 S 2/1992 Greenblatt  
 D325,112 S 4/1992 Thompson  
 D332,891 S 2/1993 Cumberland  
 D333,784 S 3/1993 Goodman  
 5,209,345 A 5/1993 Haugabook  
 5,354,191 A 10/1994 Bobis  
 D354,441 S 1/1995 Fontanella  
 D354,682 S 1/1995 van Spaandonk  
 D368,414 S 4/1996 VanHalteren et al.  
 D375,258 S 11/1996 Weder et al.  
 D375,964 S \* 11/1996 Poubouridis ..... D15/136  
 5,618,463 A \* 4/1997 Rindler et al. .... 249/92  
 5,632,926 A \* 5/1997 Dyer, Jr. .... 249/121  
 D384,595 S \* 10/1997 Hartwell-Ruland ..... D11/121  
 D384,960 S \* 10/1997 Kistler ..... D15/135  
 5,711,892 A 1/1998 Ramirez  
 D390,778 S 2/1998 Lee  
 5,788,873 A 8/1998 Warsaw  
 5,789,005 A 8/1998 Tabaroni et al.  
 5,814,380 A \* 9/1998 Tamborello et al. .... 428/9  
 5,851,415 A \* 12/1998 Thomas ..... 249/117  
 D431,299 S 9/2000 Lammie  
 6,162,476 A 12/2000 Shorin  
 6,176,464 B1 \* 1/2001 Harvey ..... 249/126  
 6,187,352 B1 \* 2/2001 Crosbie ..... 426/104  
 6,190,584 B1 2/2001 Lee et al.  
 6,231,910 B1 5/2001 Ellingsworth  
 D449,777 S 10/2001 Vignon  
 6,311,427 B1 \* 11/2001 McNally ..... 47/29.3  
 6,355,288 B1 3/2002 DiGiacomo  
 D460,545 S 7/2002 Hautmann et al.  
 D465,733 S 11/2002 Hill  
 D475,288 S 6/2003 Hoffmann et al.  
 D476,095 S 6/2003 Baarman et al.  
 D478,785 S 8/2003 Rorke et al.  
 D478,813 S 8/2003 Beene  
 D479,995 S 9/2003 Duceppe  
 6,626,313 B2 9/2003 Herbstreit et al.  
 D492,403 S 6/2004 Iddan et al.  
 D504,286 S 4/2005 de Cleir  
 6,896,140 B1 5/2005 Perry  
 D509,894 S 9/2005 Hoyt et al.  
 D512,598 S 12/2005 Shore  
 D521,872 S 5/2006 Wu  
 D522,375 S 6/2006 Archeny  
 D527,520 S 9/2006 Green  
 D528,257 S 9/2006 Leclerc et al.  
 D530,221 S 10/2006 Paglina  
 D535,348 S \* 1/2007 Sammann ..... D21/811  
 D536,434 S 2/2007 DongSheng  
 D540,621 S \* 4/2007 Wahl ..... D7/517  
 D547,430 S 7/2007 Low  
 D553,443 S 10/2007 Hutzler et al.

D554,529 S 11/2007 Green et al.  
 D564,900 S 3/2008 Green et al.  
 D565,145 S 3/2008 Studer et al.  
 D572,535 S 7/2008 El-Ghouyel et al.  
 D577,428 S 9/2008 Sun  
 D578,002 S 10/2008 Canamasas Puigbo  
 D592,064 S 5/2009 Kilany  
 D595,570 S 7/2009 Moretti  
 D597,191 S 7/2009 Colombo et al.  
 D597,679 S 8/2009 Shigesada et al.  
 D602,311 S 10/2009 Finell  
 D604,116 S 11/2009 Braidotti  
 D608,160 S 1/2010 Colbert et al.  
 D610,667 S 2/2010 Espiritu, Jr.  
 D612,238 S 3/2010 Moreau et al.  
 D612,245 S 3/2010 Canamasas Puigbo  
 D612,262 S 3/2010 Mussumeci et al.  
 D613,103 S 4/2010 Misir  
 D616,260 S 5/2010 Facey et al.  
 D625,604 S 10/2010 Zaslów  
 D631,204 S 1/2011 Dubitsky et al.  
 D638,884 S 5/2011 Shoemaker, Jr.  
 D639,449 S 6/2011 Luburic  
 7,963,500 B1 \* 6/2011 Holiday ..... 249/168  
 D650,280 S 12/2011 de Peyerimhoff et al.  
 D650,464 S 12/2011 Swietoslawsky  
 D651,864 S 1/2012 Bennett  
 D655,987 S 3/2012 Bennett  
 D658,932 S 5/2012 Facey  
 D661,540 S 6/2012 Facey  
 D668,016 S \* 10/2012 Bottini ..... D1/102  
 D669,232 S 10/2012 Chung et al.  
 D672,465 S 12/2012 Sherman  
 D674,570 S 1/2013 Neuhaus  
 D678,002 S 3/2013 Facey  
 2002/0094362 A1 7/2002 Ruando Del Campo et al.  
 2003/0003198 A1 1/2003 Scalise  
 2003/0064009 A1 4/2003 Baaset  
 2004/0253904 A1 12/2004 Lin  
 2010/0018969 A1 1/2010 Marks et al.  
 2011/0027435 A1 2/2011 Facey

OTHER PUBLICATIONS

Candy Cane Winter Mint Cake Pop Dough, [online], photo uploaded Nov. 16, 2012, retrieved on Mar. 15, 2013. Retrieved from, <URL: [http://www.amazon.com/Cake-Pop-Baller-Professional-Brownie/dp/B005LTYCMM](http://www.google.com/imgres?q=Snowman+Shaped+Cake+Pop+Mini-Mold&um=1&hl=en&safe=active&sa=N&rls=com.microsoft:en-us:IE-SearchBox&biw=1600&bih=975&tbm=isch&btnid=RhSDZV28tCQ6M:&imgrefurl=http://www...>, 1 page.*<br/>
    Cake Pop Baller—Professional Sphere Mold—Ball Maker for Cake and Brownie Pops, Balls and Bites. Retrieved online on Mar. 22, 2012 at: <a href=), dated at least as early as Dec. 2011 (5 pages).  
 Meatballer. Retrieved online on Mar. 22, 2012 at: <http://www.preparedpantry.com/meatballer-maker.aspx>, dated before Oct. 6, 2011 (1 page).  
 U.S. Appl. No. 12/533,954, filed Jul. 31, 2009.  
 U.S. Appl. No. 29/420,912, filed May 15, 2012.  
 U.S. Appl. No. 29/422,415, filed May 21, 2012.  
 U.S. Appl. No. 29/341,233, filed Jul. 31, 2009 Patented D616,260—May 25, 2010.  
 U.S. Appl. No. 29/403,462, filed Oct. 6, 2011 Patented D661,540—Jun. 12, 2012.  
 U.S. Appl. No. 29/403,458, filed Oct. 6, 2011 Patented D678,002—Mar. 19, 2013.  
 U.S. Appl. No. 29/403,464, filed Oct. 6, 2011 Patented D658,932—May 8, 2012.  
 U.S. Appl. No. 29/420,912, filed May 15, 2012 Allowed.  
 U.S. Appl. No. 29/422,415, filed May 21, 2012 Allowed.

\* cited by examiner



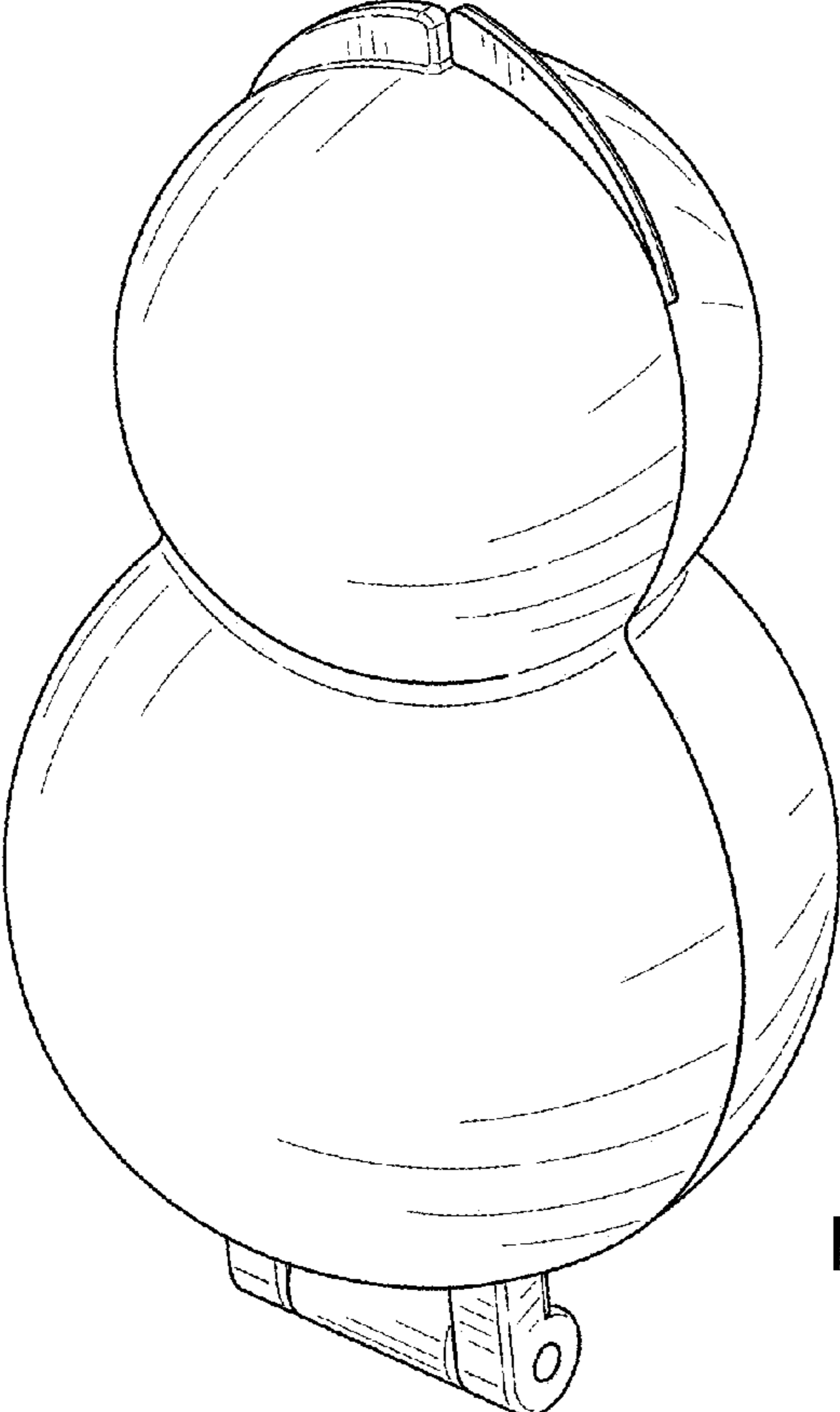


FIG. 1

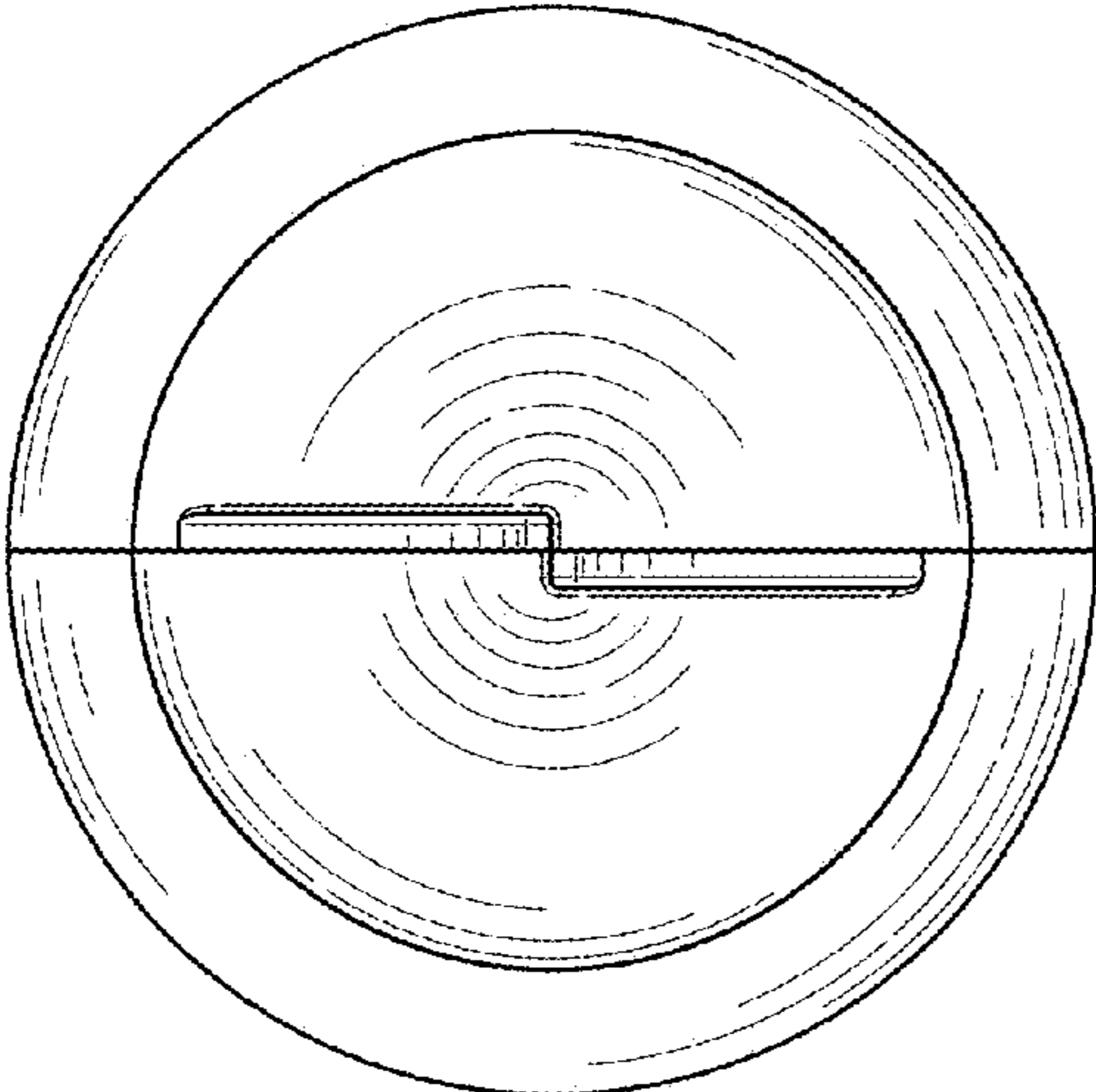


FIG. 2

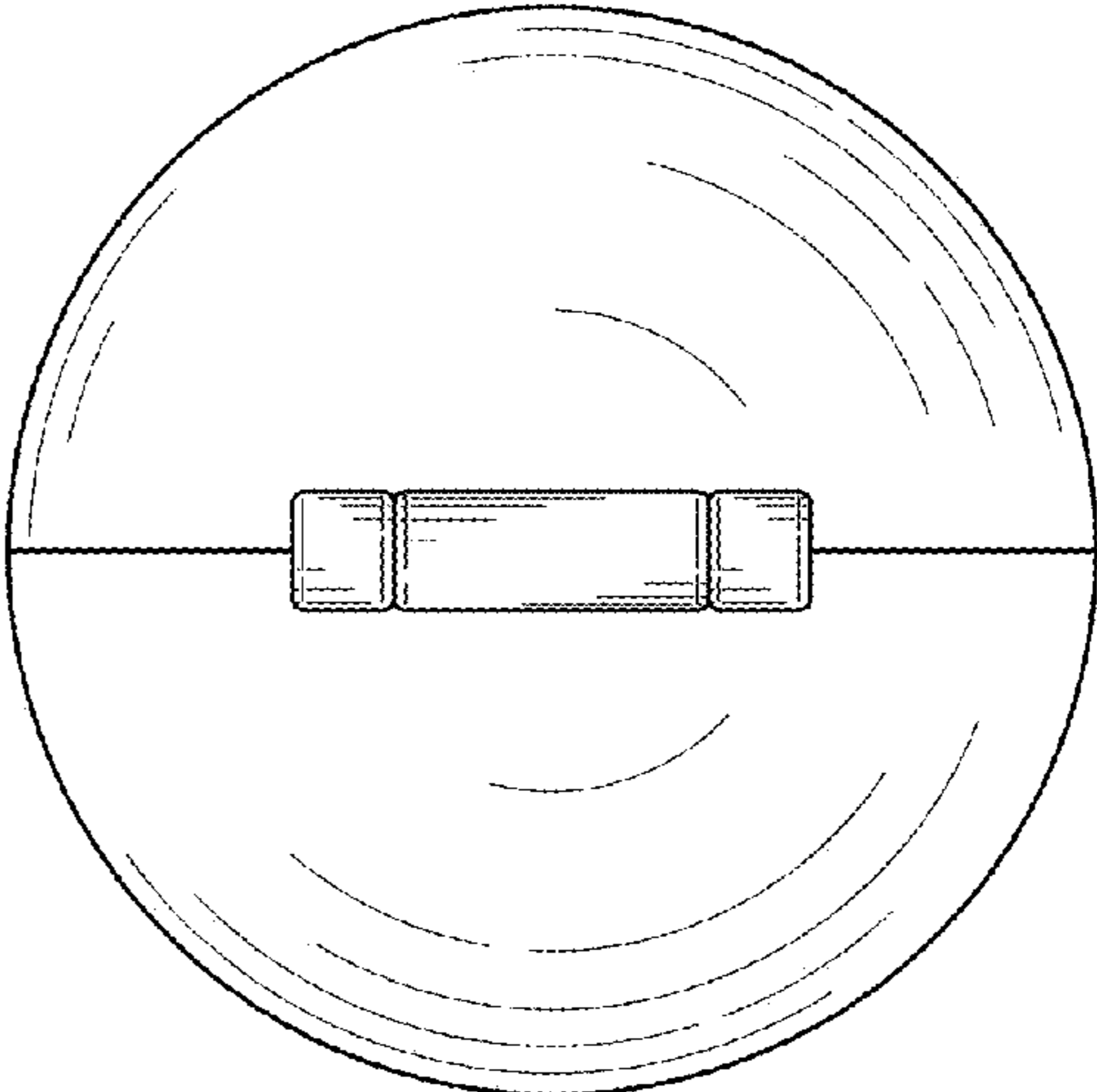


FIG. 3

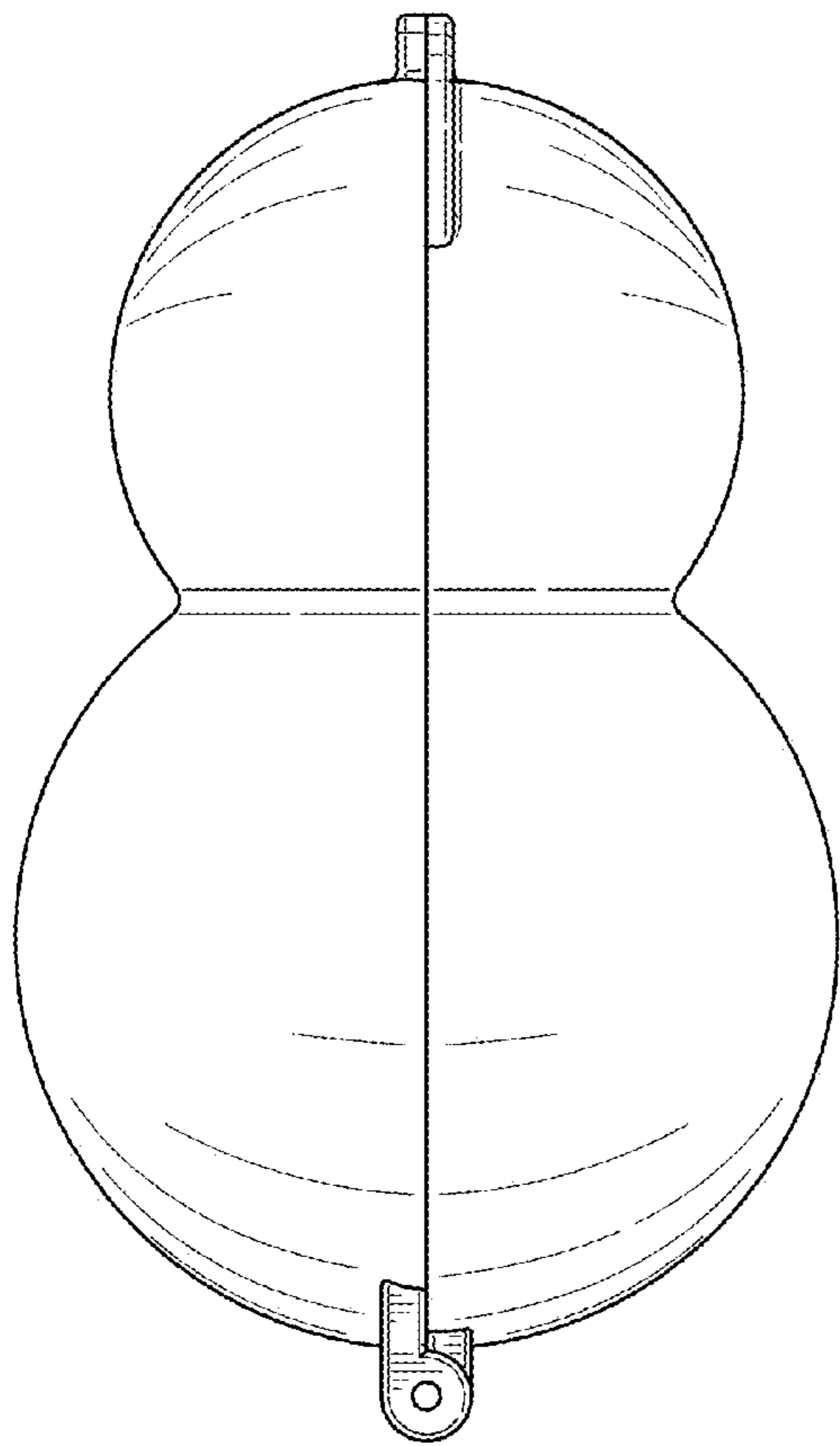


FIG. 4

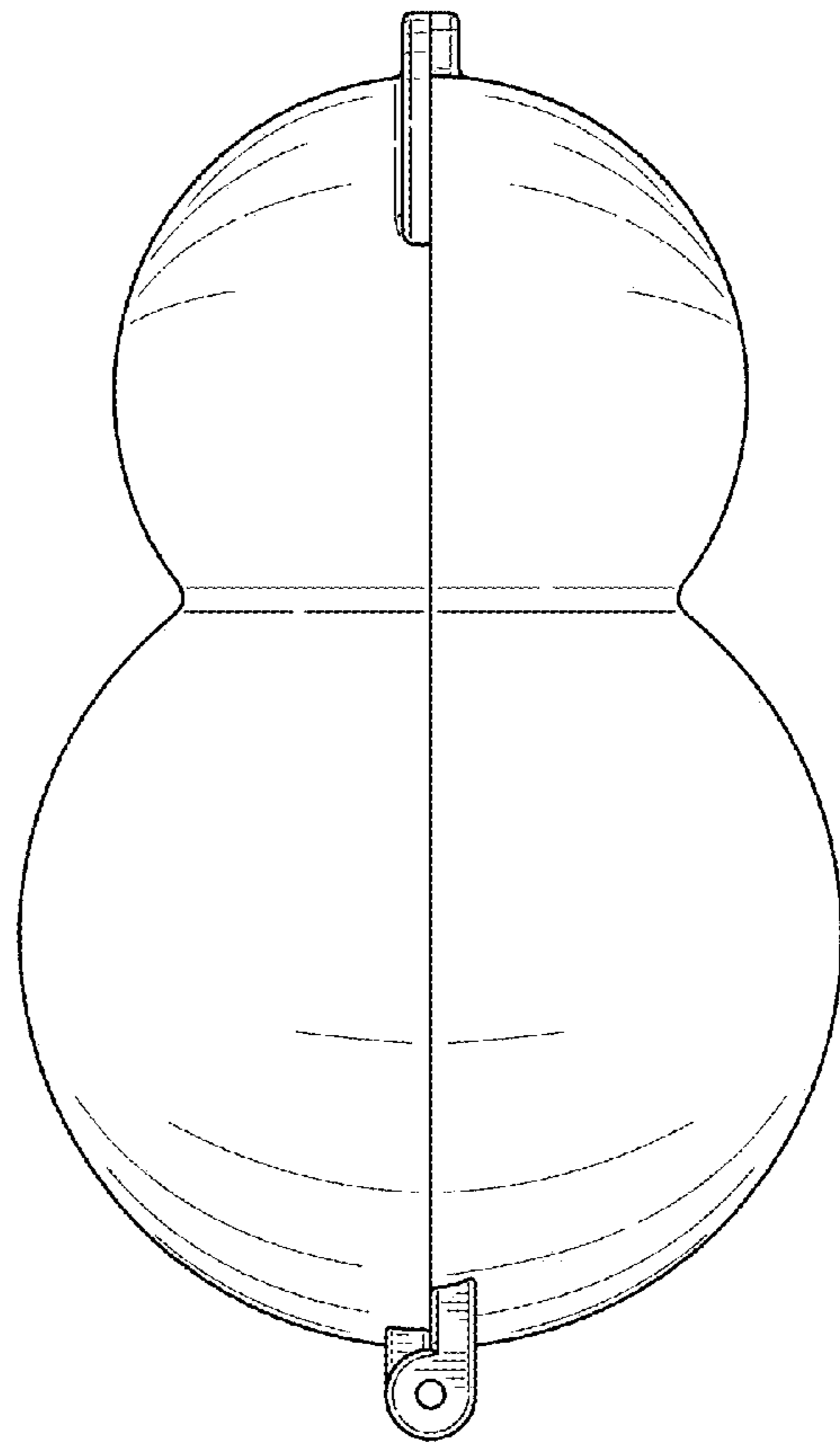


FIG. 5

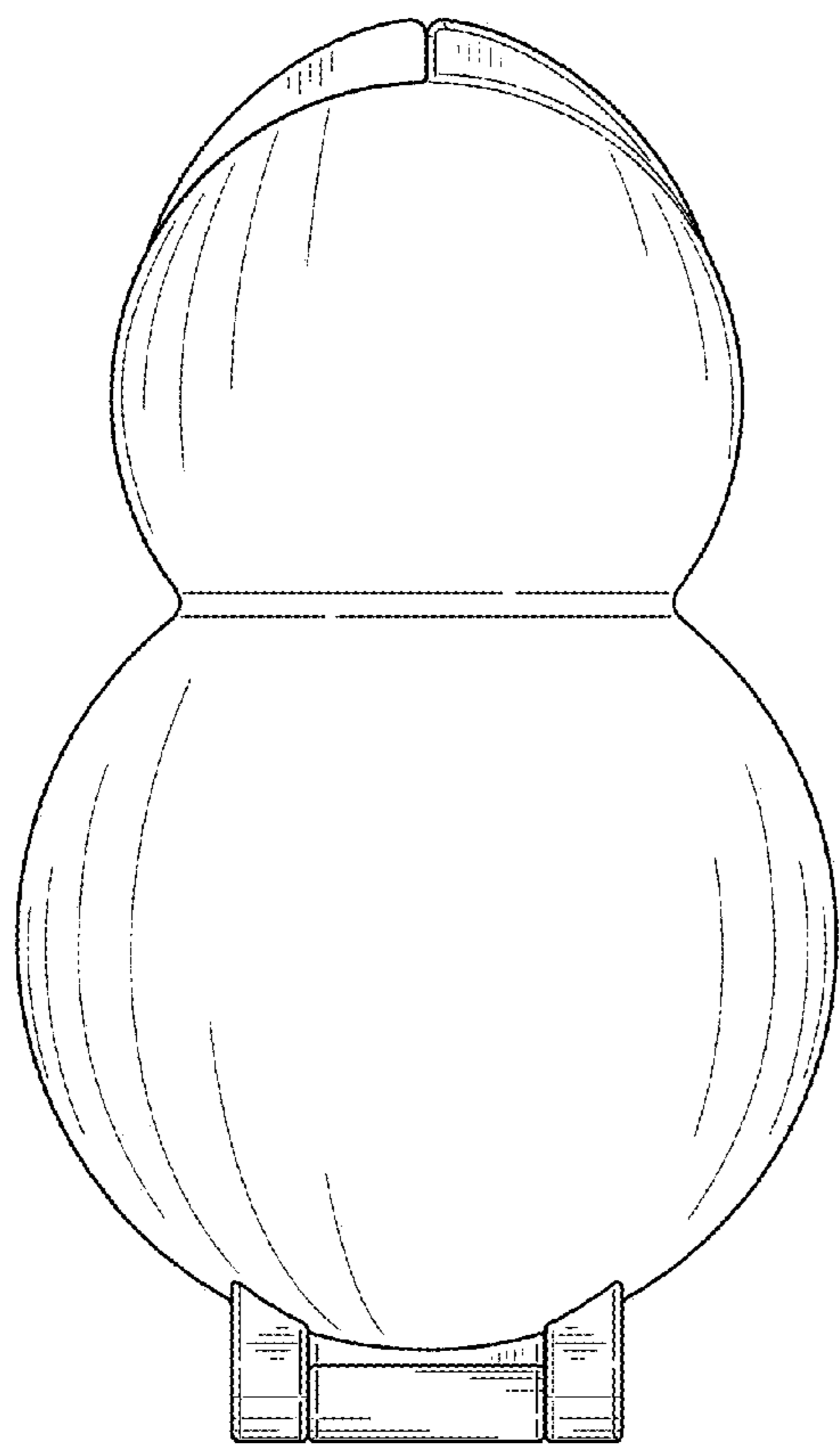


FIG. 6

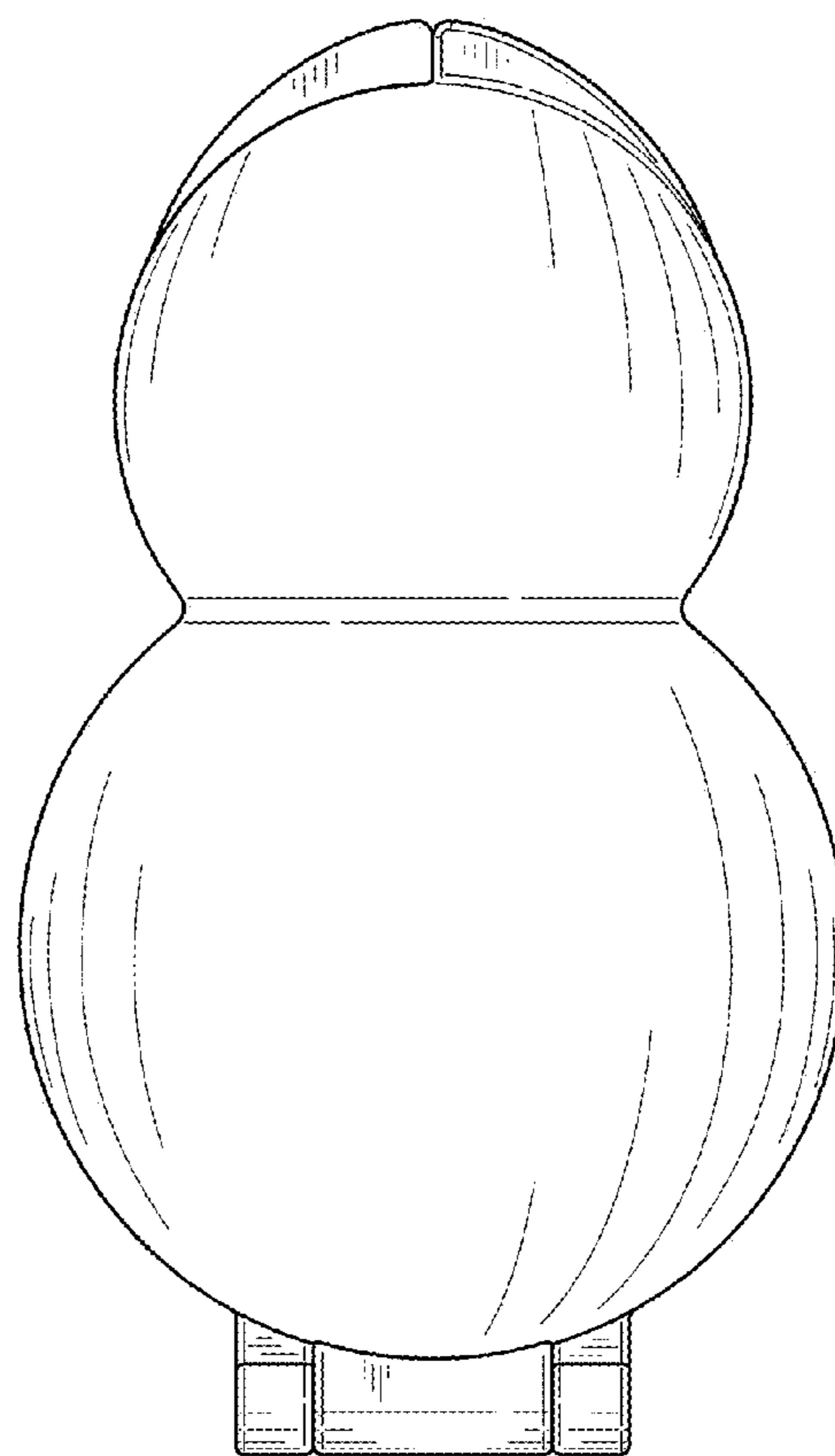


FIG. 7

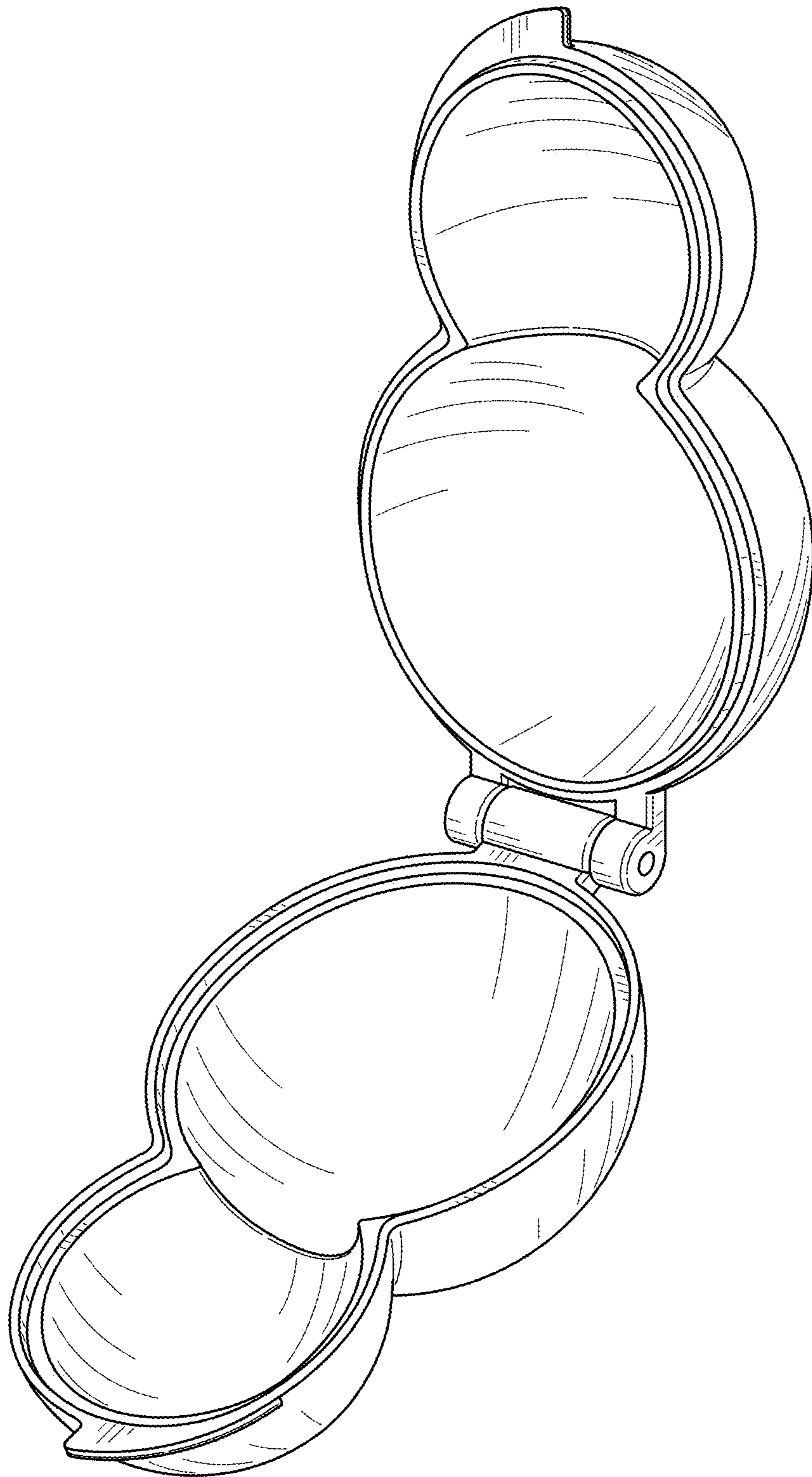


FIG. 8