



US00D684018S

(12) **United States Design Patent**
Lin

(10) **Patent No.:** **US D684,018 S**
(45) **Date of Patent:** **** Jun. 11, 2013**

(54) **CUTLERY SET**

(71) Applicant: **Wenjin Lin**, Taizhou (CN)

(72) Inventor: **Wenjin Lin**, Taizhou (CN)

(73) Assignee: **Taizhou Jinxin Industry & Trade Co., Ltd.**, Taizhou (CN)

(**) Term: **14 Years**

(21) Appl. No.: **29/440,658**

(22) Filed: **Dec. 25, 2012**

(30) **Foreign Application Priority Data**

Nov. 20, 2012 (CN) 2012 3 0563195

(51) **LOC (9) Cl.** **07-03**

(52) **U.S. Cl.**
USPC **D7/645**; D7/401.2; D7/642; D7/653

(58) **Field of Classification Search**
USPC D4/138; D7/368, 393-395, 401.2,
D7/642-646, 649-654, 660-664, 669, 675-676,
D7/683, 688-692, 695-696; D8/14-18, 22;
30/120.1, 137, 141-143, 147-150, 322-327,
30/329, 340, 342-344; 416/70 R, 75
See application file for complete search history.

(56) **References Cited**

U.S. PATENT DOCUMENTS

D5,071 S *	7/1871	Darquin	D7/645
D15,717 S *	1/1885	Grosjean	D7/645
D24,495 S *	7/1895	Cole	D7/661
D36,900 S *	5/1904	Straker	D7/661
D37,023 S *	7/1904	Edwards	D7/661
D37,267 S *	12/1904	Hillbom	D7/653
D48,895 S *	4/1916	Hirsch	D7/651
D107,018 S *	11/1937	Kintz	D7/661
D131,670 S *	3/1942	Nock	D7/661

D137,377 S *	2/1944	Malinowski	D7/651
D170,334 S *	9/1953	Noyes	D7/649
D173,184 S *	10/1954	Bowlen	D7/661
D183,631 S *	9/1958	Ressenger	D7/653
D185,480 S *	6/1959	Young et al.	D7/660
D185,481 S *	6/1959	Young et al.	D7/649
D202,653 S *	10/1965	Perry	D7/661
D203,476 S *	1/1966	Manderfield	D7/661
D208,880 S *	10/1967	Manderfield	D7/661
D210,910 S *	4/1968	Perry	D7/661
D215,121 S *	9/1969	Manderfield	D7/661
D219,683 S *	1/1971	Manderfield	D7/661
D225,021 S *	10/1972	Manderfield	D7/660
D225,022 S *	10/1972	Manderfield	D7/660
D226,982 S *	5/1973	Manderfield	D7/661
D231,596 S *	5/1974	Manderfield	D7/661
D236,068 S *	7/1975	Lee	D7/661
D243,998 S *	4/1977	Zephries	D7/661
D252,375 S *	7/1979	Manderfield	D7/661
D253,334 S *	11/1979	King	D7/649

(Continued)

Primary Examiner — Ricky Pham

(74) *Attorney, Agent, or Firm* — Minder Law Group; Willy H. Wong

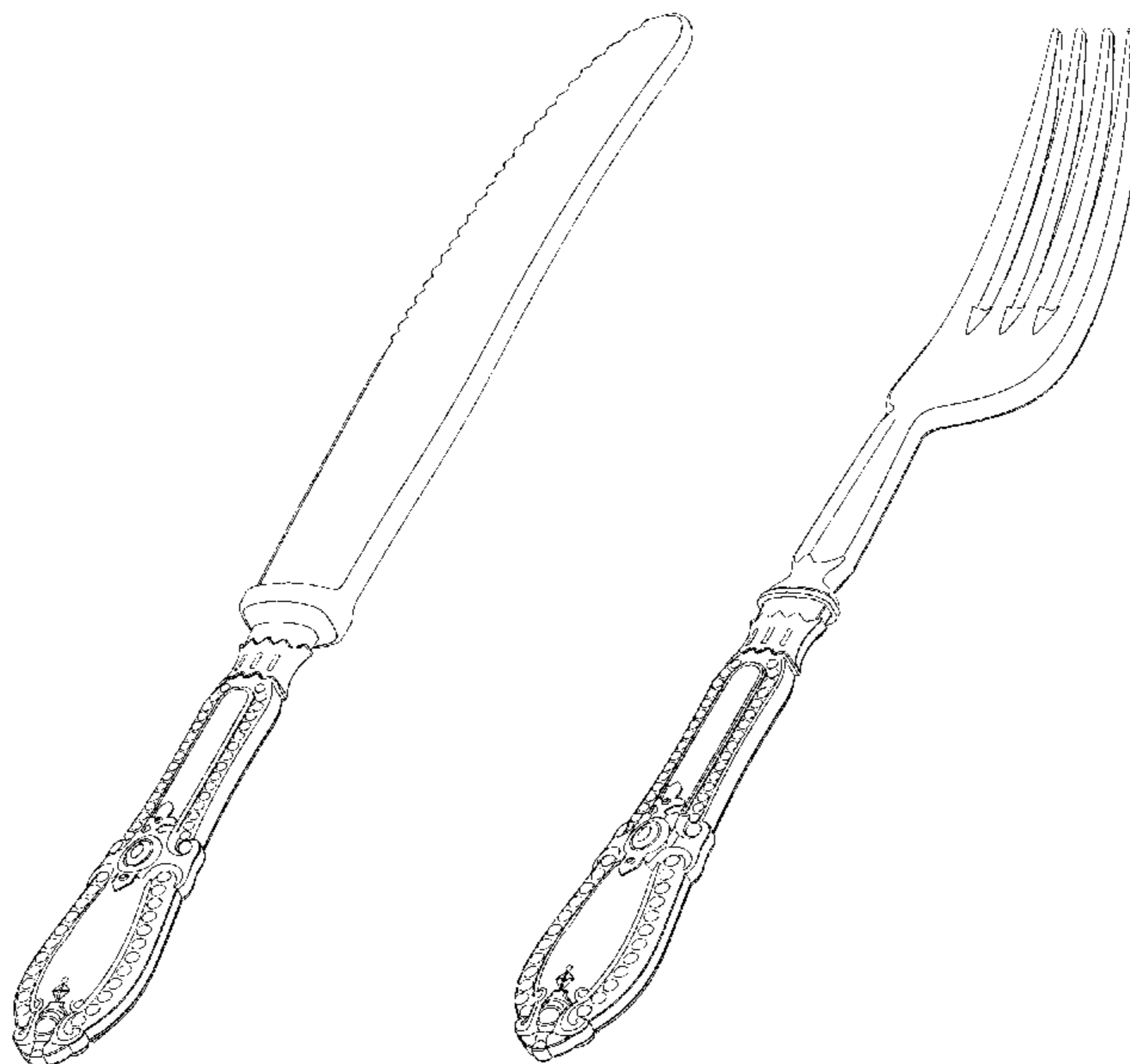
(57) **CLAIM**

The ornamental design for a cutlery set, as shown and described.

DESCRIPTION

FIG. 1 is a front view of a table knife showing my new design;
FIG. 2 is a rear view thereof;
FIG. 3 is a perspective view thereof;
FIG. 4 is a front view of a table fork showing my new design;
FIG. 5 is a rear view thereof;
FIG. 6 is a perspective view thereof;
FIG. 7 is a front view of a table spoon showing my new design;
FIG. 8 is a rear view thereof; and,
FIG. 9 is a perspective view thereof.

1 Claim, 6 Drawing Sheets



US D684,018 S

Page 2

U.S. PATENT DOCUMENTS

D254,469 S *	3/1980	Manderfield	D7/661	D263,195 S *	3/1982	Manderfield	D7/661
D254,531 S *	3/1980	Richmond, II	D7/661	D272,307 S *	1/1984	Cassini	D7/661
D257,610 S *	12/1980	Knope	D7/651	D297,097 S *	8/1988	Richmond, II	D7/651
D257,658 S *	12/1980	Knope	D7/660	D303,200 S *	9/1989	Toffolon	D7/661
D262,508 S *	1/1982	Richmond, II	D7/661	D672,605 S *	12/2012	Miller et al.	D7/401.2

* cited by examiner

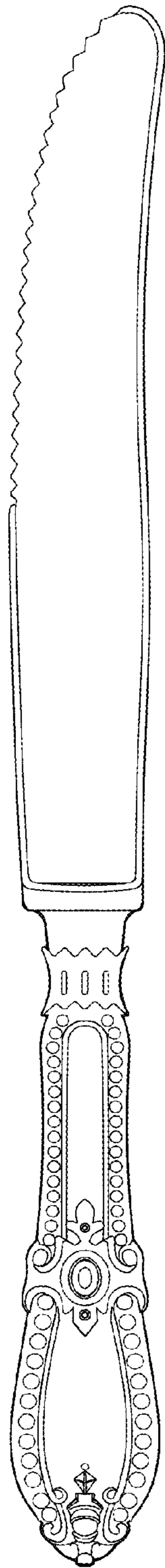


Fig 1

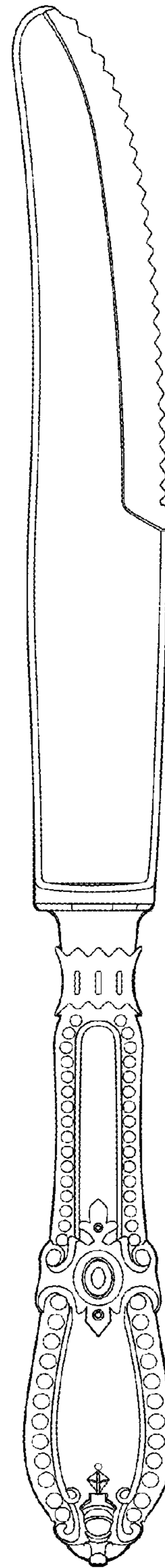


Fig 2

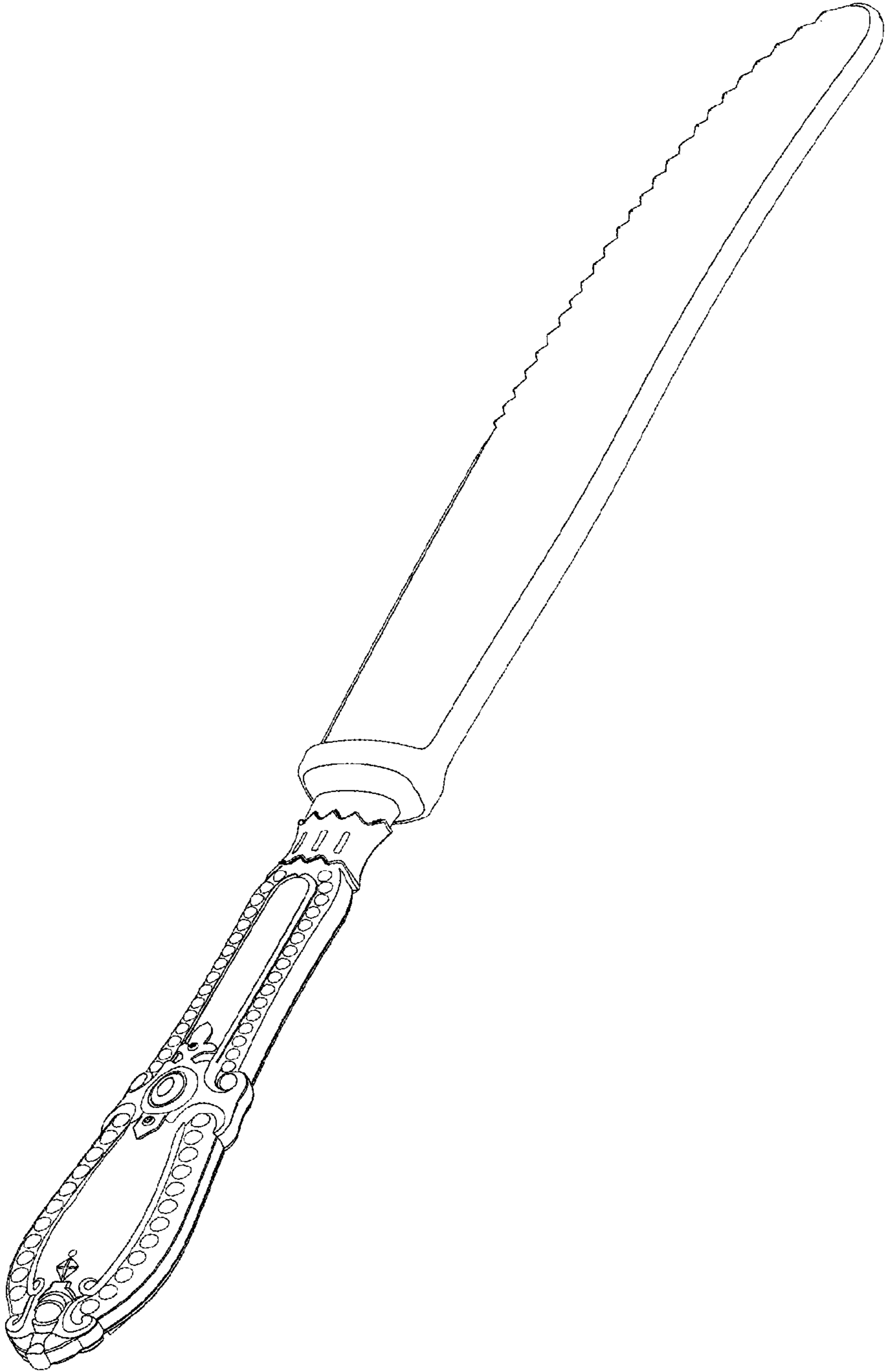


Fig 3

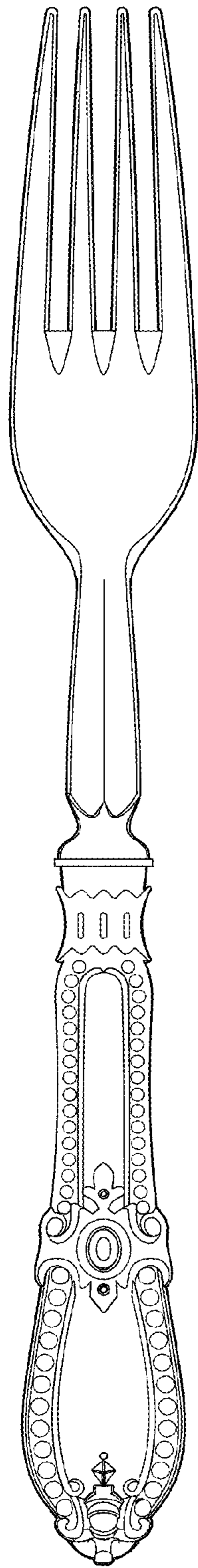


Fig 4

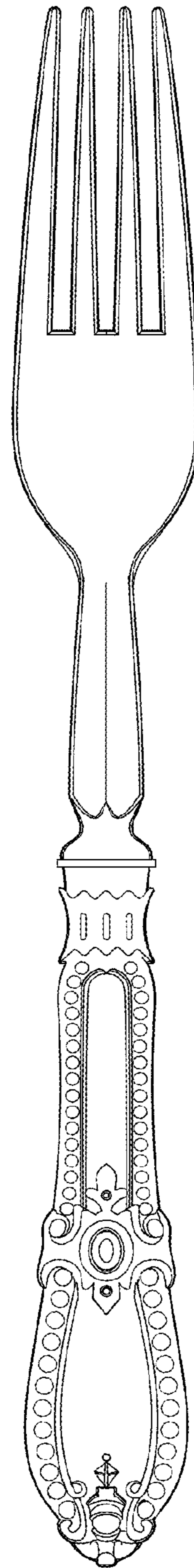


Fig 5

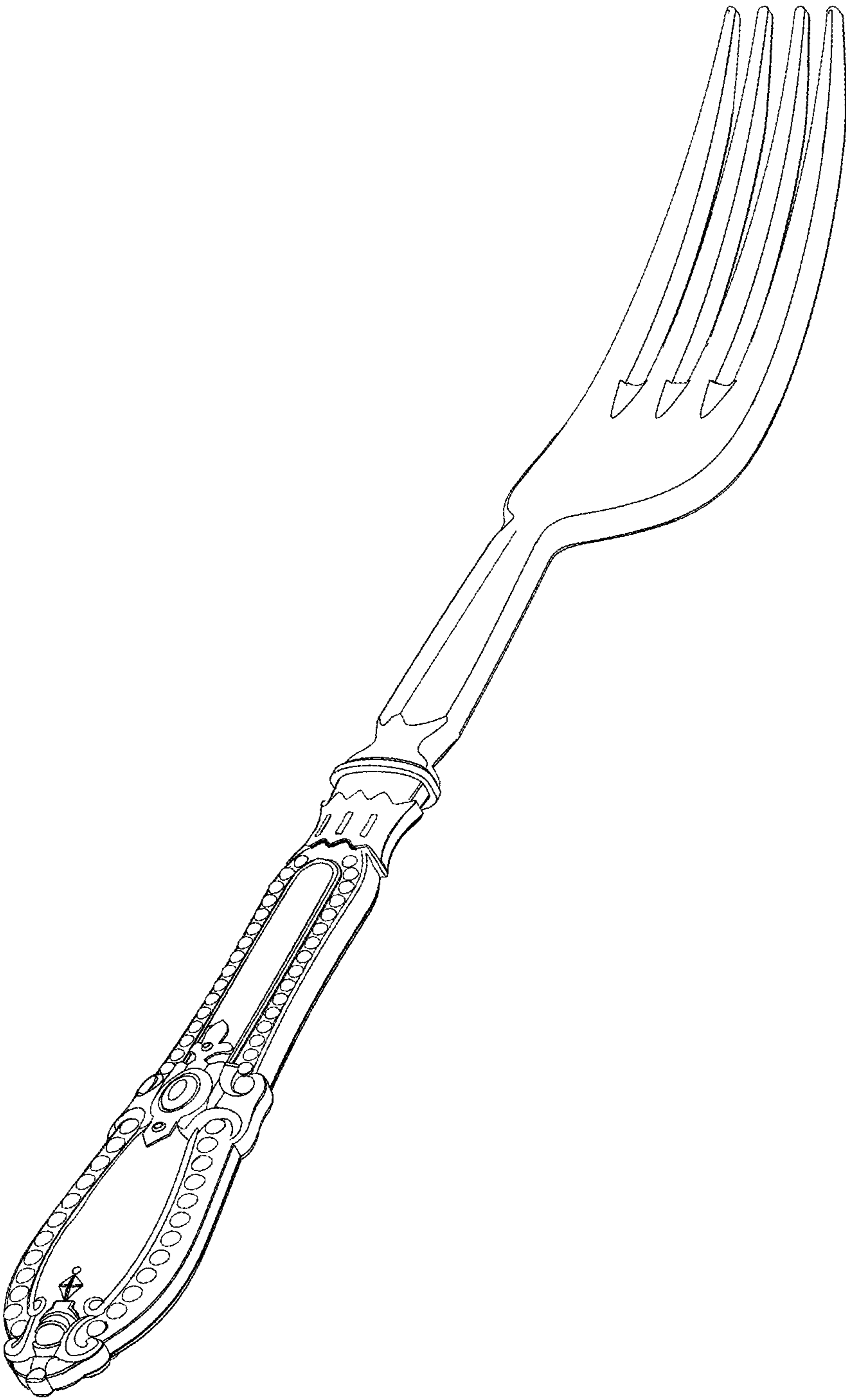


Fig 6

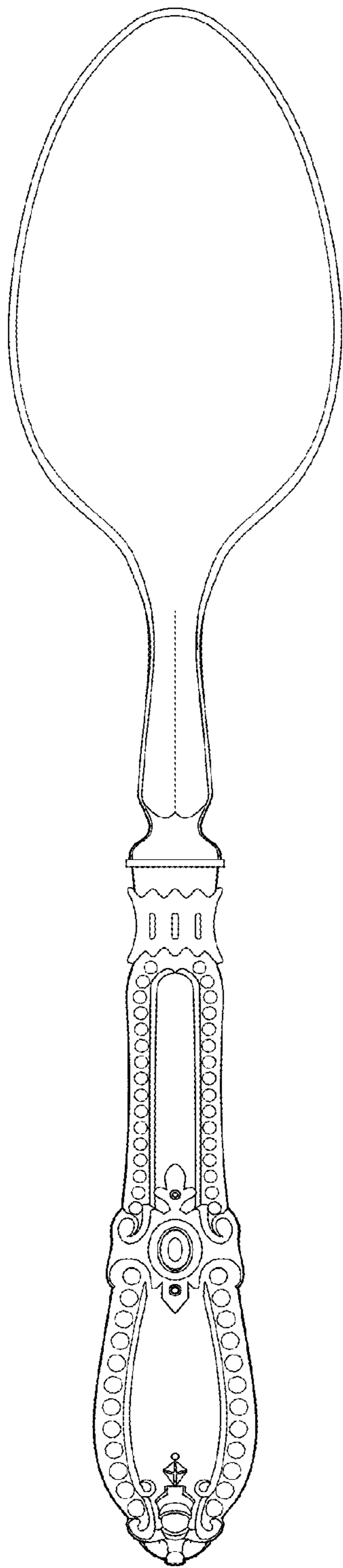


Fig 7

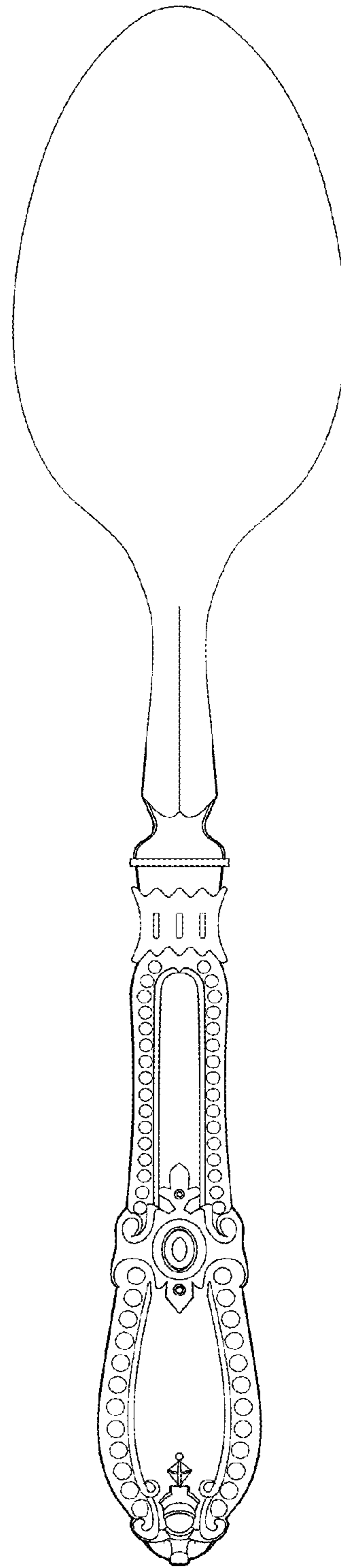


Fig 8

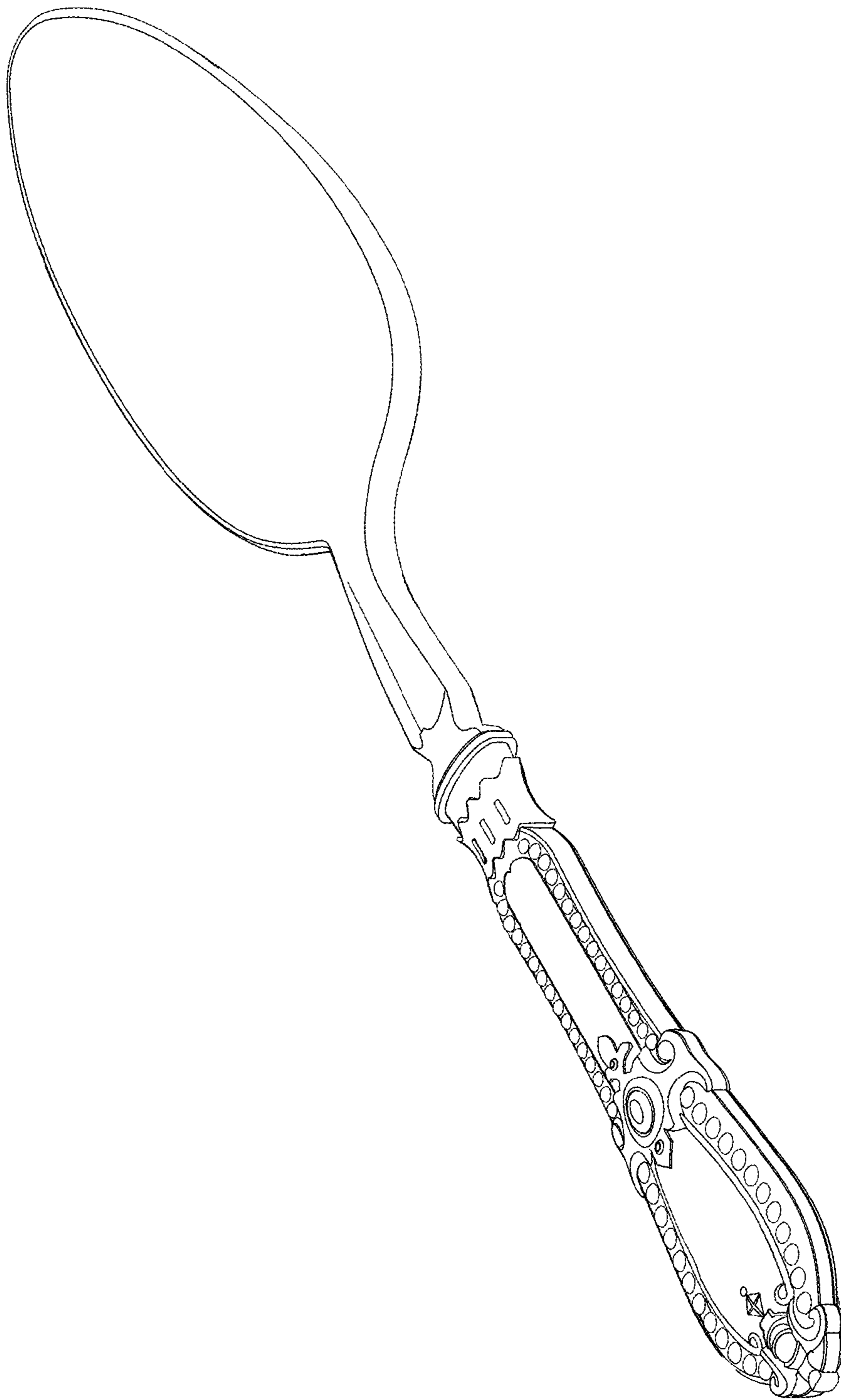


Fig 9