



US00D684013S

(12) **United States Design Patent**  
**Vance**

(10) **Patent No.:** **US D684,013 S**

(45) **Date of Patent:** **\*\* Jun. 11, 2013**

(54) **DISPENSER FOR, FOR EXAMPLE, POUCHED FOOD PRODUCTS**

(75) Inventor: **Todd Edmund Vance**, Loveland, OH (US)

(73) Assignee: **Gruma Corporation**, Irving, TX (US)

(\*\*) Term: **14 Years**

(21) Appl. No.: **29/429,976**

(22) Filed: **Aug. 20, 2012**

(51) **LOC (9) Cl.** ..... **07-06**

(52) **U.S. Cl.**  
USPC ..... **D7/589**

(58) **Field of Classification Search**  
USPC ..... D7/589, 401.1, 309, 311; D6/542-545;  
D20/1, 4, 7; 222/368, 185.1, 181.3, 181.1,  
222/173, 367, 230, 160, 251, 282, 288  
See application file for complete search history.

(56) **References Cited**

U.S. PATENT DOCUMENTS

D196,874 S *	11/1963	Sohn	.....	D6/515
4,569,463 A *	2/1986	Pellegrino	.....	222/288
4,619,379 A *	10/1986	Biehl	.....	222/153.14
D309,402 S *	7/1990	Morrow	.....	D7/589
D364,780 S *	12/1995	Henderson	.....	D7/589

D384,863 S *	10/1997	Danemayer	.....	D7/589
D390,753 S *	2/1998	Danemayer	.....	D7/589
D467,466 S *	12/2002	Apelboim et al.	.....	D7/589
D500,636 S *	1/2005	Levy et al.	.....	D7/589
6,964,355 B2 *	11/2005	Landau	.....	222/185.1
D531,457 S *	11/2006	Gold et al.	.....	D7/589
D562,079 S *	2/2008	Ben Shlomo et al.	.....	D7/589

\* cited by examiner

*Primary Examiner* — Terry Wallace

(74) *Attorney, Agent, or Firm* — Hitchcock Evert LLP

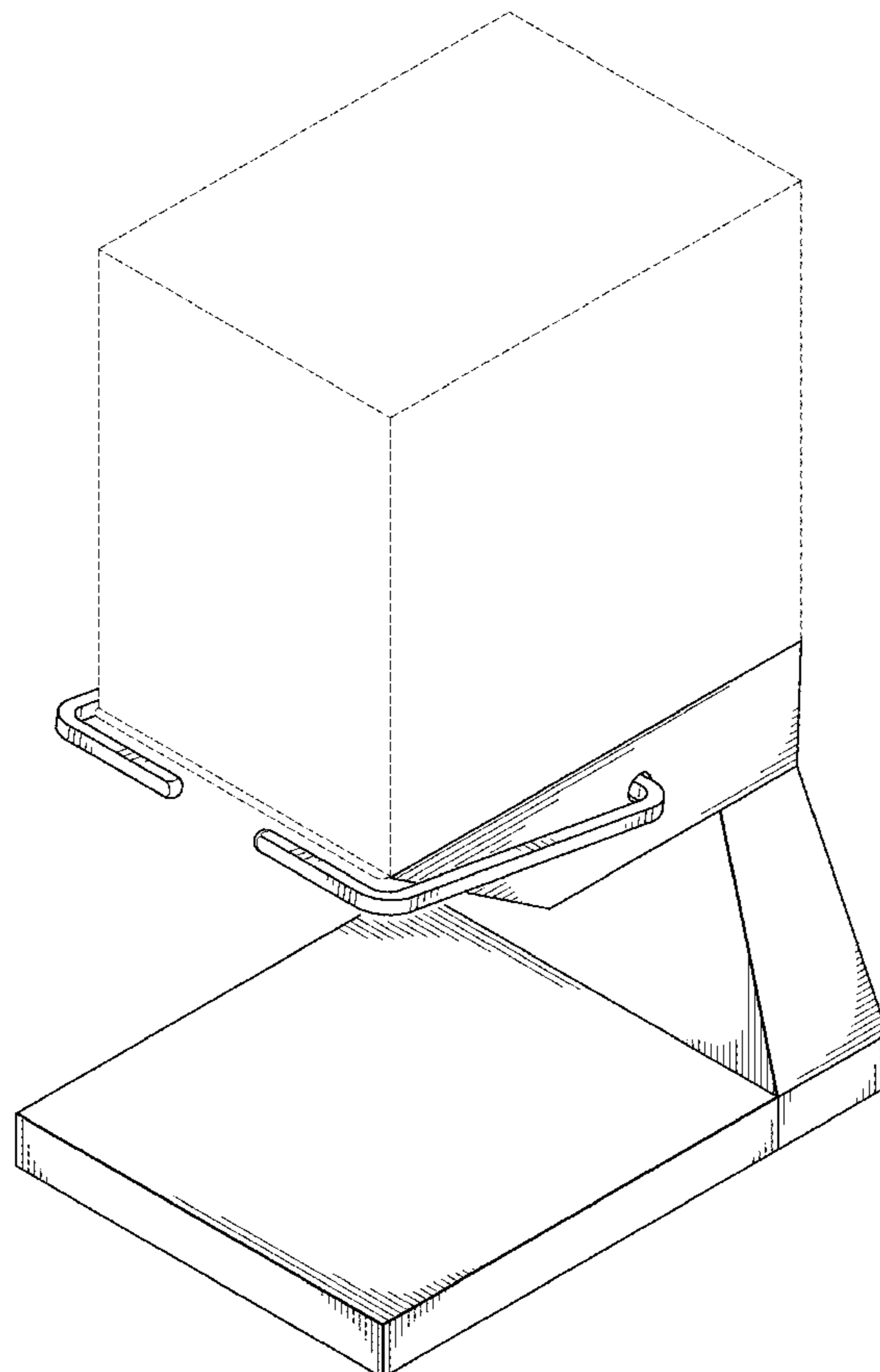
(57) **CLAIM**

The ornamental design for a dispenser for, for example, pouched food products, as shown and described.

**DESCRIPTION**

FIG. 1 is a right, front perspective view of the dispenser for, for example, pouched food products showing my new design; FIG. 2 is a front view thereof; FIG. 3 is a side view thereof, the opposite side being a mirror image; FIG. 4 is a rear view thereof; FIG. 5 is a top view thereof; and, FIG. 6 is a bottom view thereof.  
The broken line portions of the disclosure are for illustrative purposes only and form no part of the claimed design.

**1 Claim, 5 Drawing Sheets**



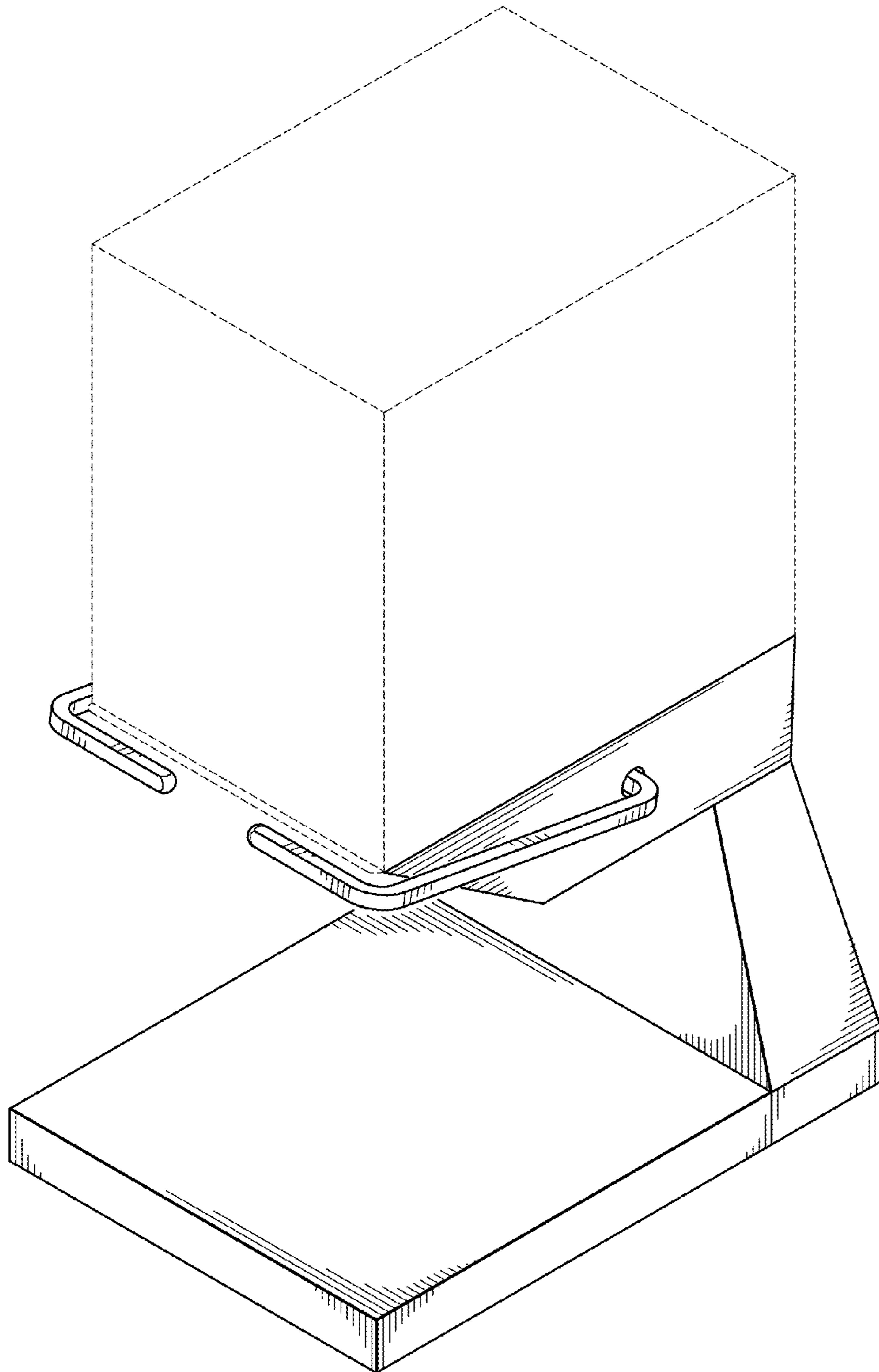
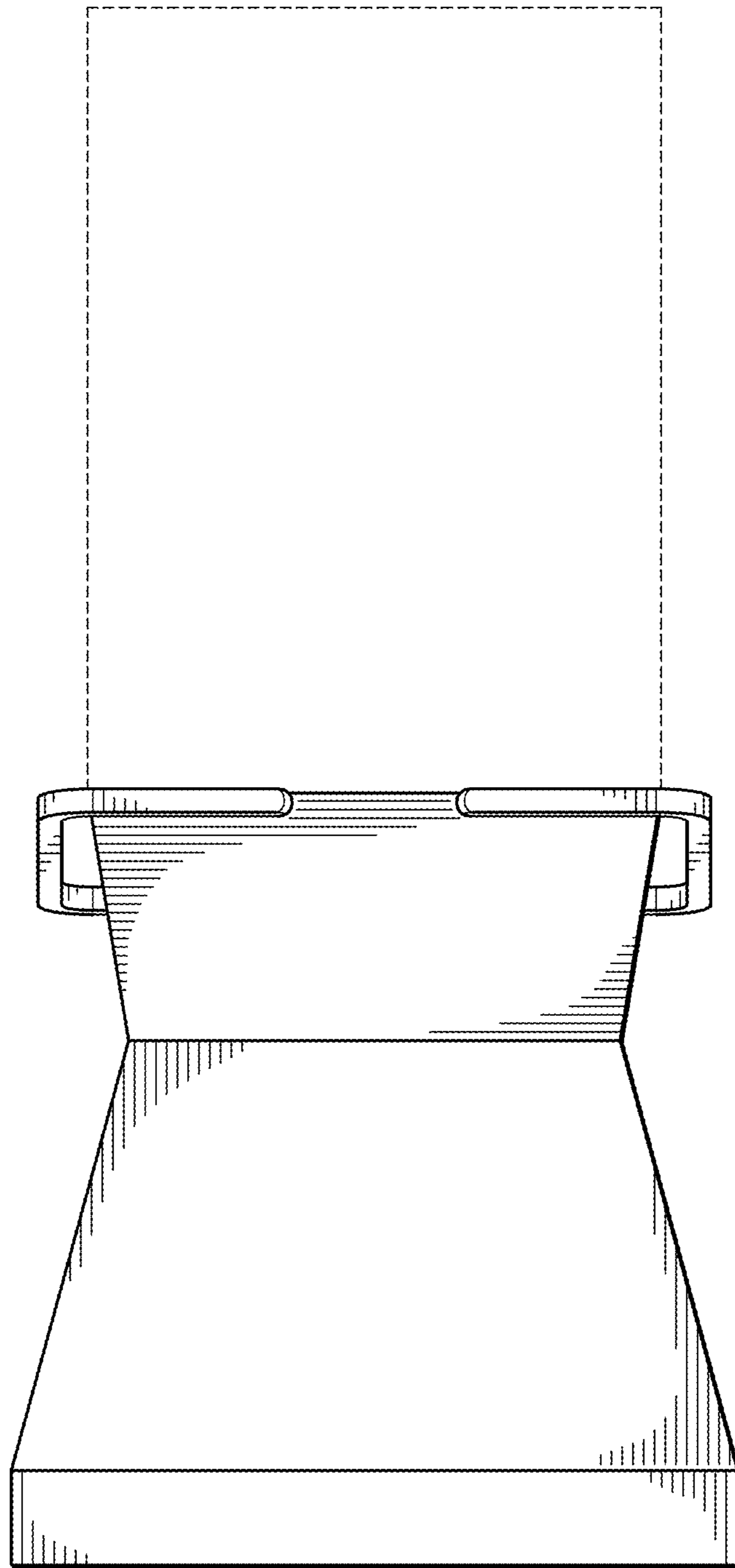


FIG. 1



*FIG. 2*

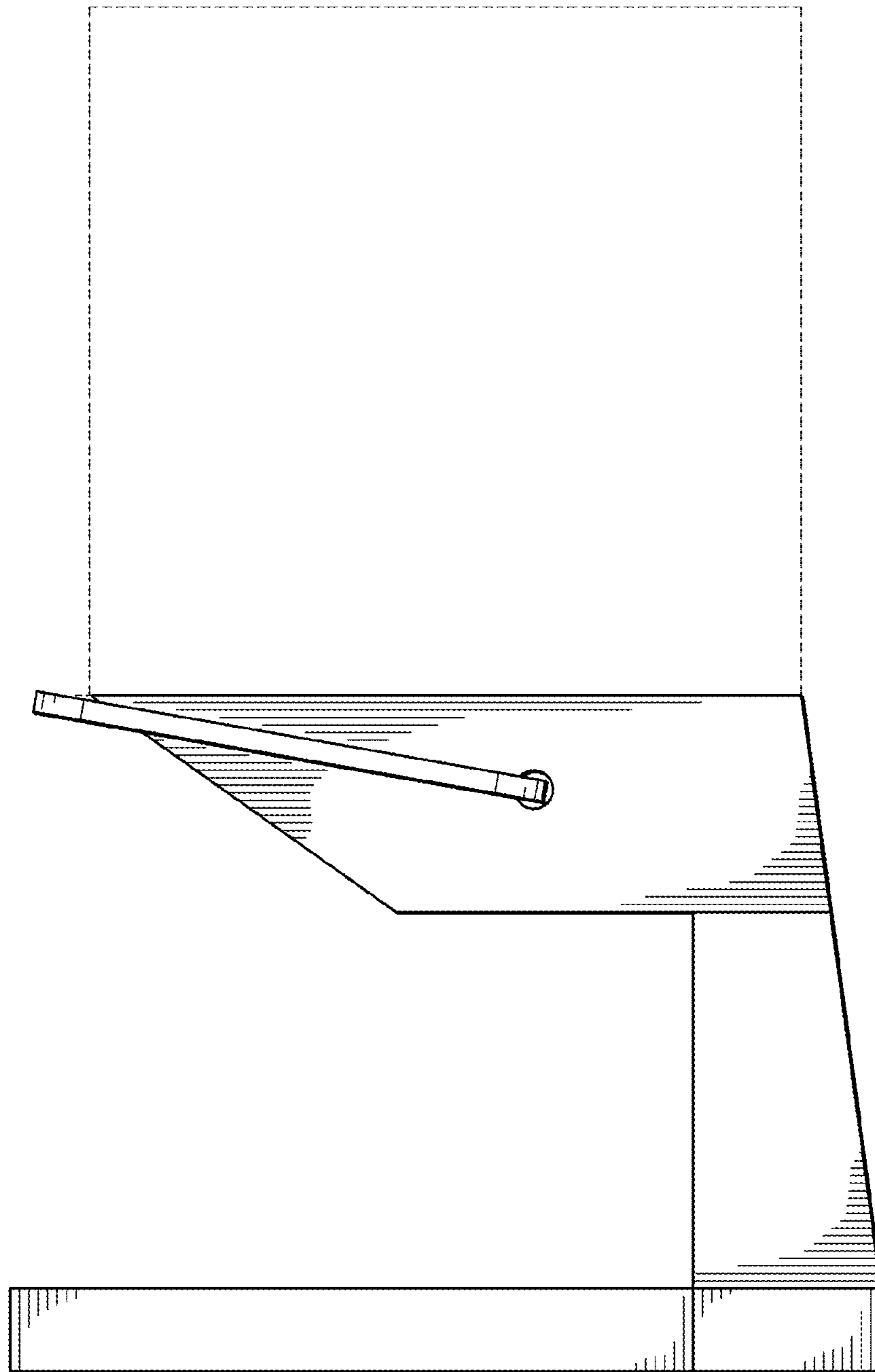


FIG. 3

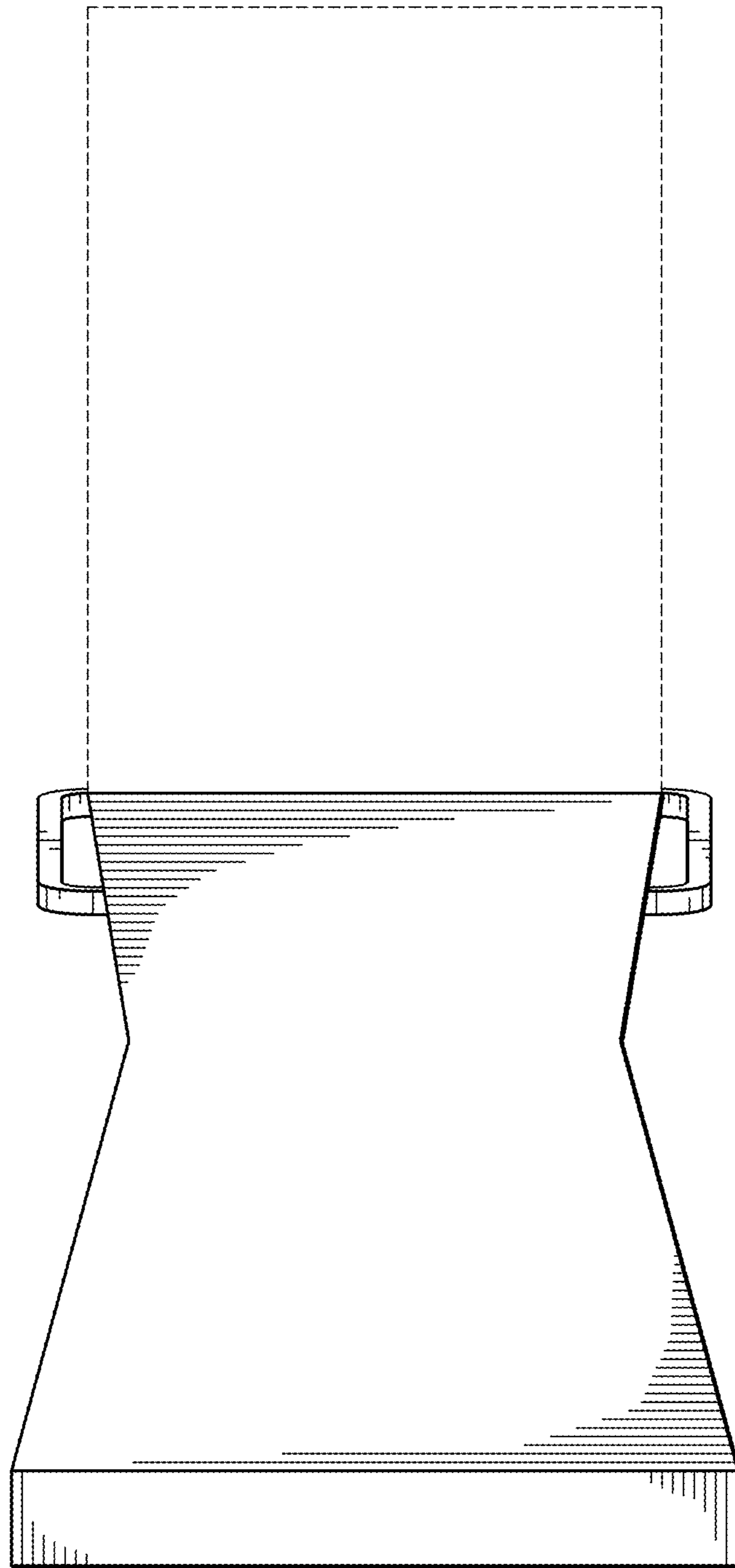


FIG. 4

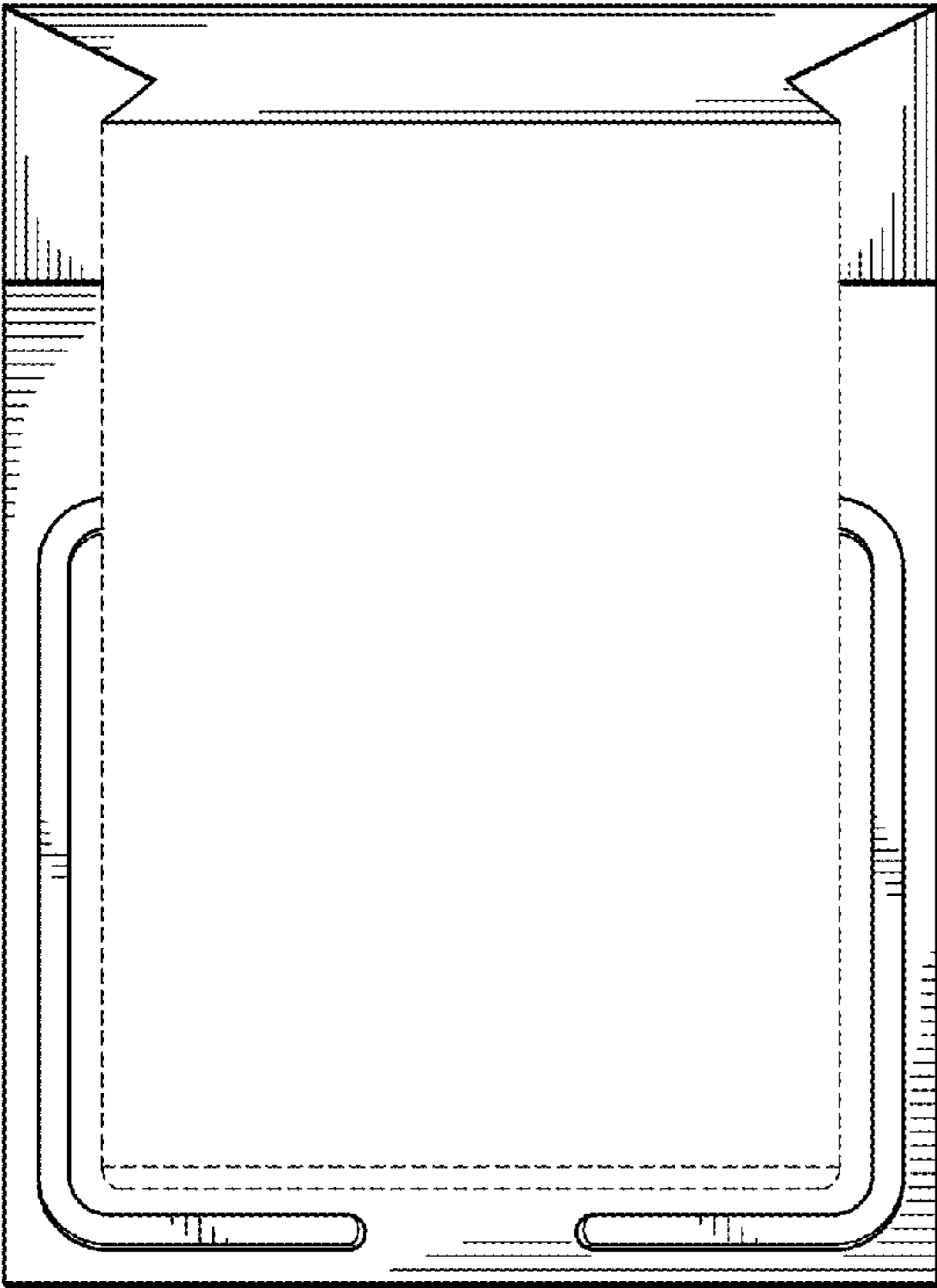


FIG. 5

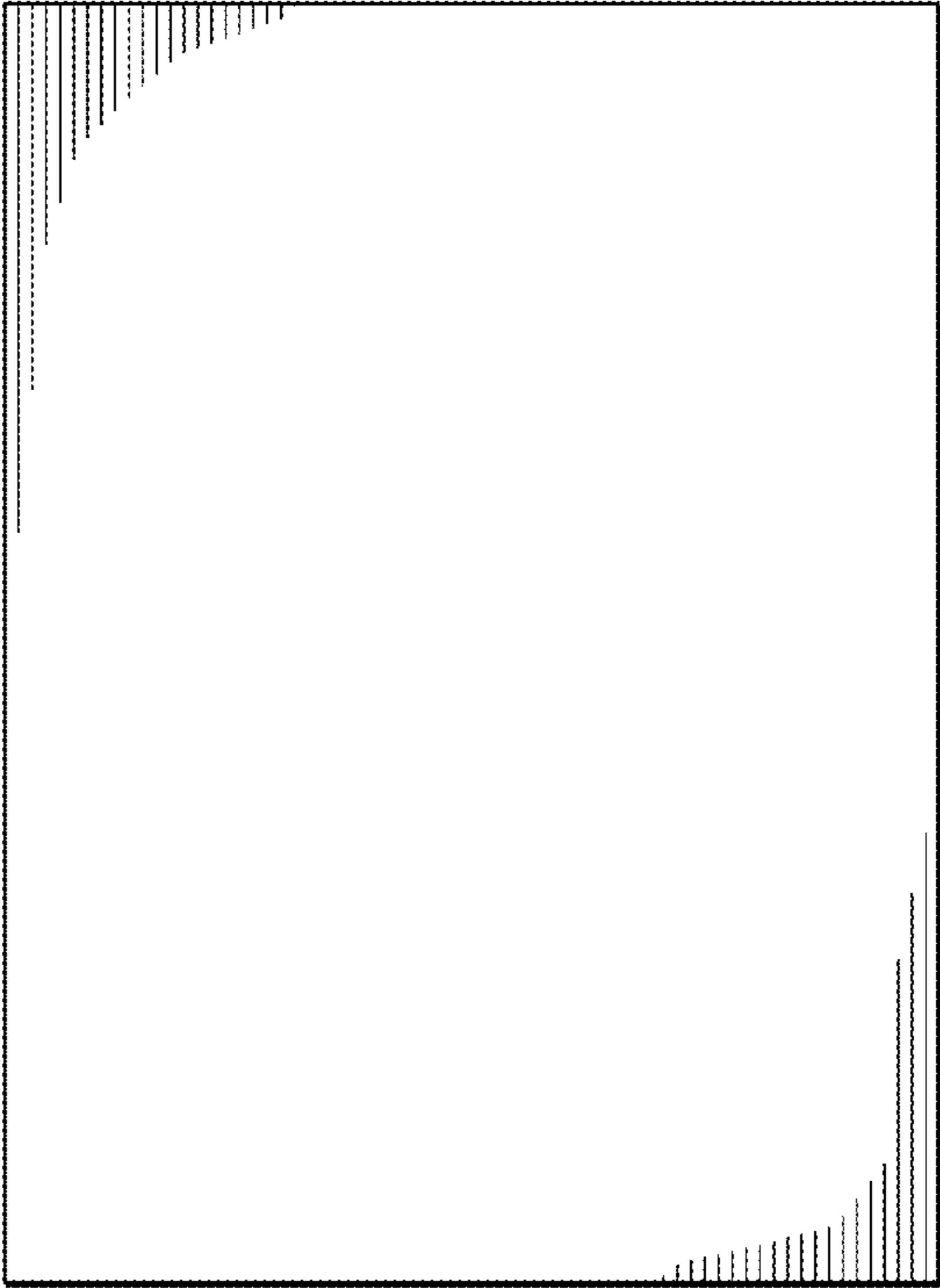


FIG. 6