



US00D684010S

(12) **United States Design Patent**
Paraskevopoulos et al.

(10) **Patent No.:** **US D684,010 S**
(45) **Date of Patent:** **** Jun. 11, 2013**

(54) **KITCHEN APPLIANCE BASE**

FOREIGN PATENT DOCUMENTS

(71) Applicant: **Sensio Inc.**, Montréal (CA)
(72) Inventors: **Dimitri Paraskevopoulos**, Brossard (CA); **Martin Gagnon**, Blainville (CA)
(73) Assignee: **Sensio Inc.**, Montreal (CA)
(**) Term: **14 Years**

CA 2654929 12/2007
EP 0839226 9/2001

(Continued)

Primary Examiner — Ricky Pham

(74) *Attorney, Agent, or Firm* — McDonnell Boehnen Hulbert & Berghoff LLP

(21) Appl. No.: **29/438,973**

(57) **CLAIM**

(22) Filed: **Dec. 5, 2012**

The ornamental design for a kitchen appliance base, as shown and described.

(51) **LOC (9) Cl.** **07-02**

(52) **U.S. Cl.**

USPC **D7/412; D7/376; D7/378**

(58) **Field of Classification Search**

USPC D7/301-313, 316-326, 356-357, D7/368, 372-386, 391-398, 412-415, 503, D7/515, 665, 679, 691-693; 99/326, 348, 99/492-495, 508-512; 241/30-37.5, 91-92, 241/101.01-101.2, 166-169.1, 172, 199.12, 241/272, 282.2, 285.1-285.3, 291, 292.1; 366/64-67, 98, 129, 142-144, 192-211, 366/241-254, 262, 279-292, 325.8, 325.92, 366/341-347; 416/75-77, 70 R, 163

See application file for complete search history.

DESCRIPTION

FIG. 1 is a perspective view taken from a top, rear, right side of a kitchen appliance base, according to our new design; FIG. 2 is a front elevation view thereof; FIG. 3 is a rear elevation view thereof; FIG. 4 is a left side elevation view thereof; FIG. 5 is a right side elevation view thereof; FIG. 6 is a top plan view thereof; and, FIG. 7 is a bottom plan view thereof.

The design consists of the visual features of the portions of the kitchen appliance base shown in solid lines in the drawings, whether those features are features of one of shape, configuration, ornament or pattern or a combination of any of these features. Throughout the Figures, where shown: (i) the dotted lines showing additional structure of the kitchen appliance base are for illustrative purposes only and form no part of the claimed design; (ii) the unshaded surfaces do not form part of the claimed design; and, (iii) the dotted/dashed lines illustrate unclaimed boundaries of surfaces claimed as part of the design. Portions of the kitchen appliance base not shown in the Figures and not otherwise described in this Specification do not form part of the claimed design.

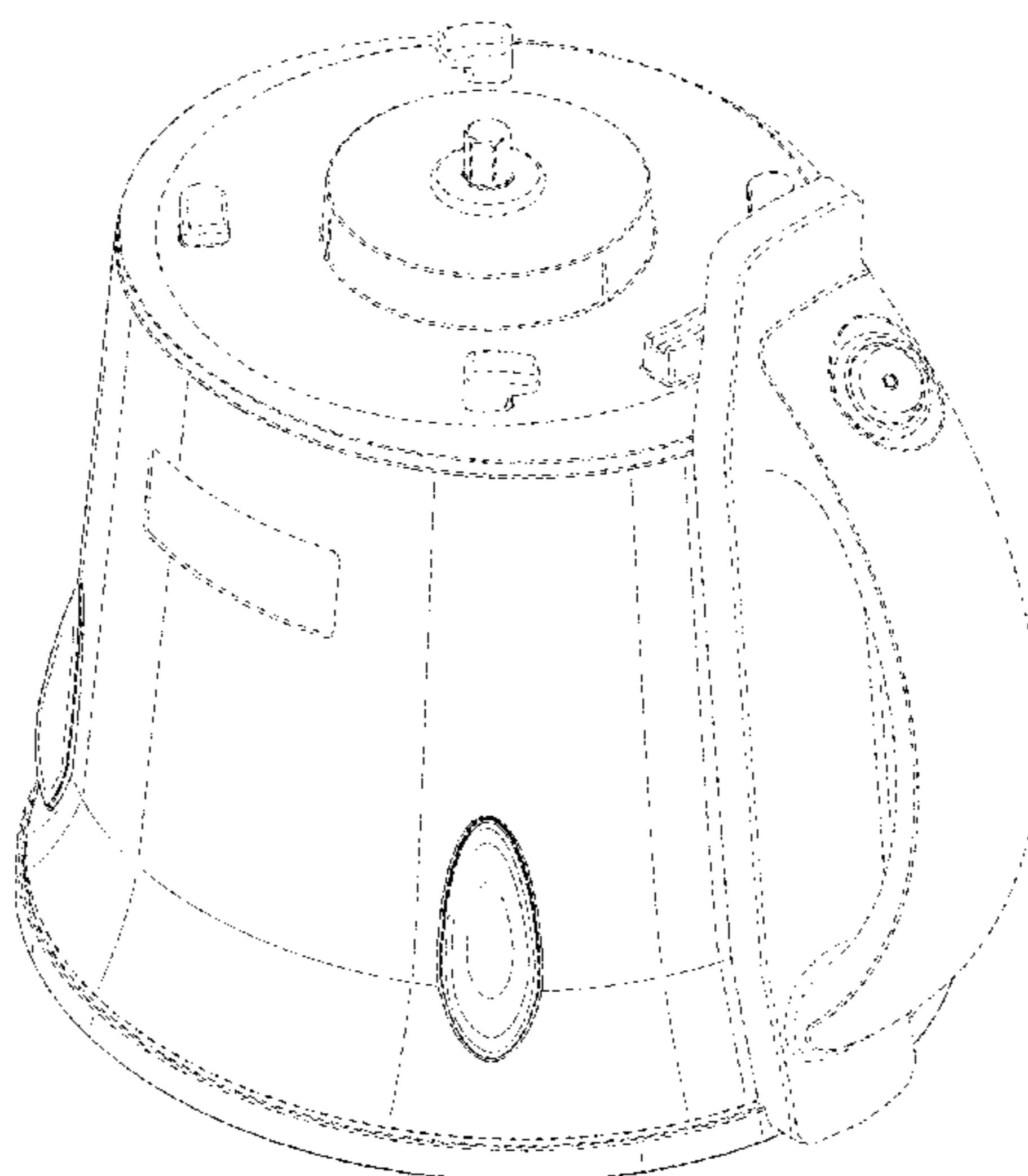
(56) **References Cited**

U.S. PATENT DOCUMENTS

D175,601 S * 9/1955 Huck D7/386
D199,888 S * 12/1964 Dewenter D7/378
3,315,946 A * 4/1967 Nissman 241/282.2
6,247,393 B1 6/2001 Chang
D445,635 S * 7/2001 Gort-Barten D7/378
D448,967 S * 10/2001 Planca et al. D7/378
D466,362 S * 12/2002 Moore D7/378
6,513,967 B2 * 2/2003 Masip et al. 366/205
D498,643 S * 11/2004 Pryor et al. D7/386
D507,149 S * 7/2005 Ball et al. D7/386

(Continued)

1 Claim, 7 Drawing Sheets



US D684,010 S

Page 2

U.S. PATENT DOCUMENTS

D510,238 S * 10/2005 Yen D7/665
D643,265 S 8/2011 Kim et al.
8,091,473 B2 1/2012 Kim
2002/0012288 A1* 1/2002 Masip et al. 366/205
2011/0083566 A1 4/2011 Backus

FOREIGN PATENT DOCUMENTS

EP 1639905 3/2006
EP 1689250 8/2006
EP 1066953 12/2006
EP 1619966 12/2006
EP 1903094 3/2010
EP 2194822 6/2010
EP 2194823 6/2010
EP 2334217 6/2011
EP 1692954 8/2011
EP 2352404 8/2011
EP 2427088 3/2012
EP 2326220 8/2012
EP 2497393 9/2012
EP 2510842 10/2012
EP 2515721 10/2012

EP 2545818 1/2013
ES 2217926 11/2004
ES 2238110 8/2005
FR 2839255 11/2003
FR 2906110 3/2008
FR 2932665 12/2009
FR 2938415 5/2010
FR 2939355 6/2010
FR 2945196 11/2010
FR 2954072 6/2011
FR 2967034 5/2012
FR 2967035 5/2012
WO 2012/007406 1/2012
WO 2012/013150 2/2012
WO 2012/036381 3/2012
WO 2012/057483 5/2012
WO 2012/057484 5/2012
WO 2012/091235 7/2012
WO 2012/108588 8/2012
WO 2012/121642 9/2012
WO 2012/165713 12/2012
WO 2013/012198 1/2013

* cited by examiner

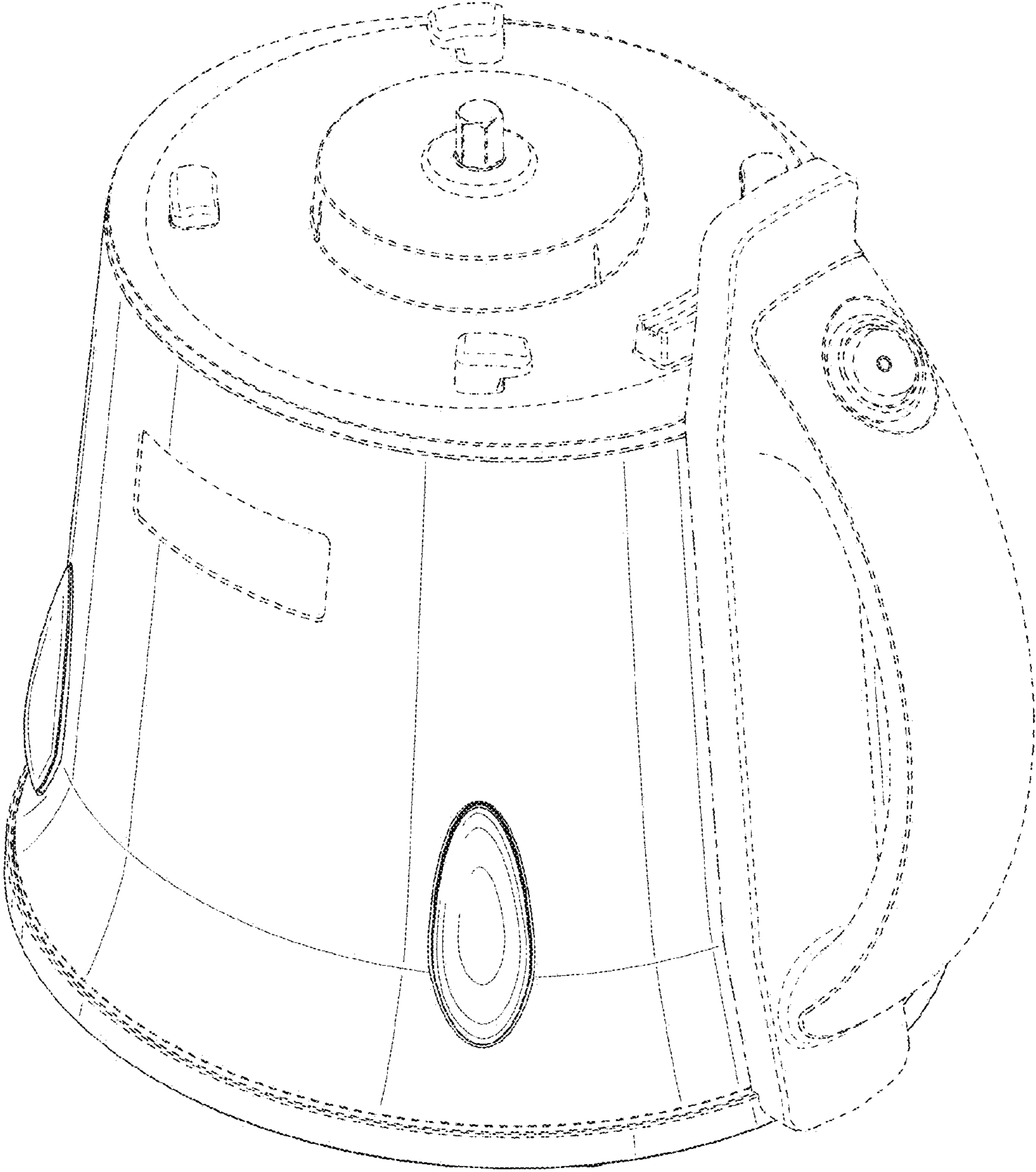


FIG. 1

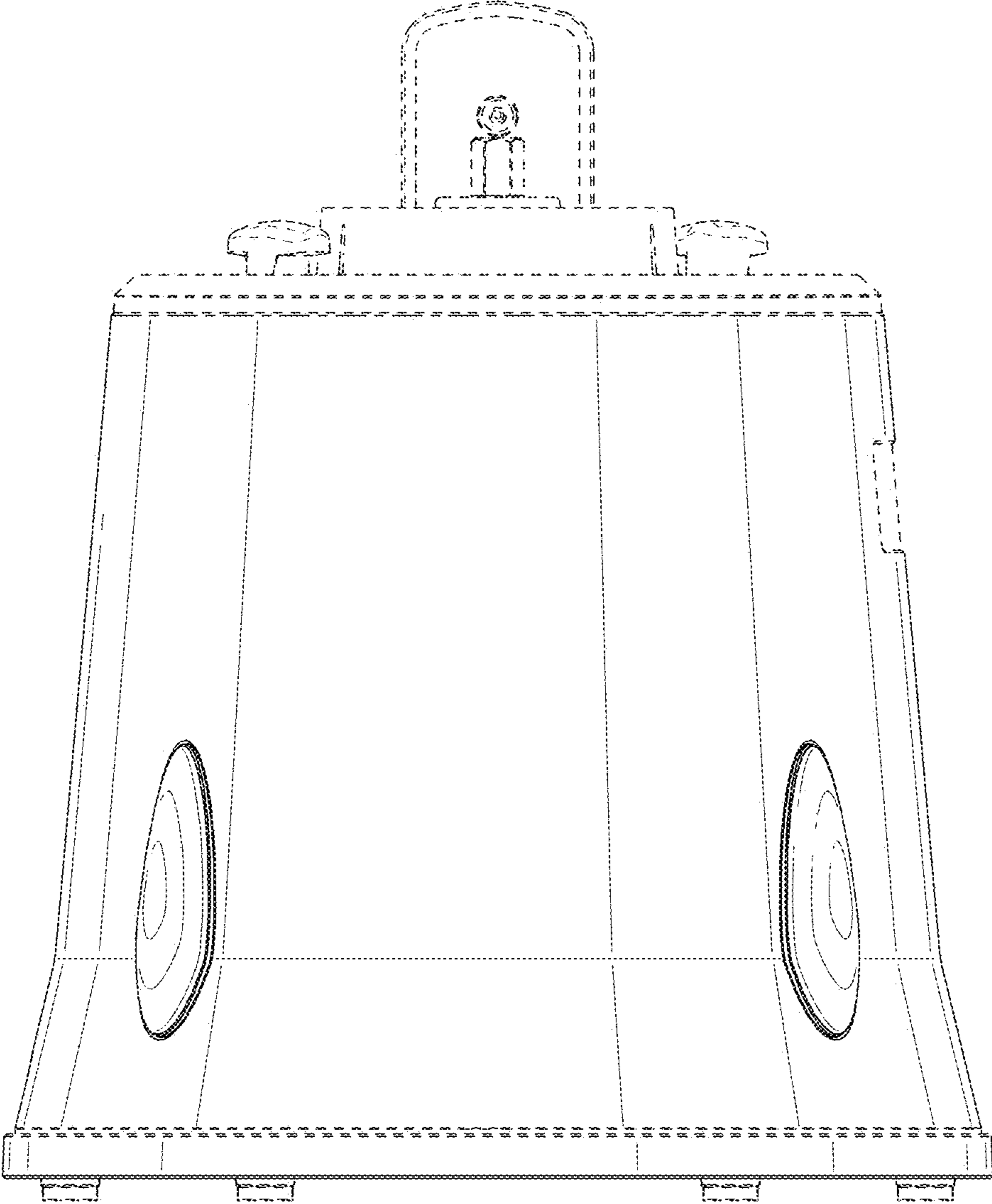


FIG. 2

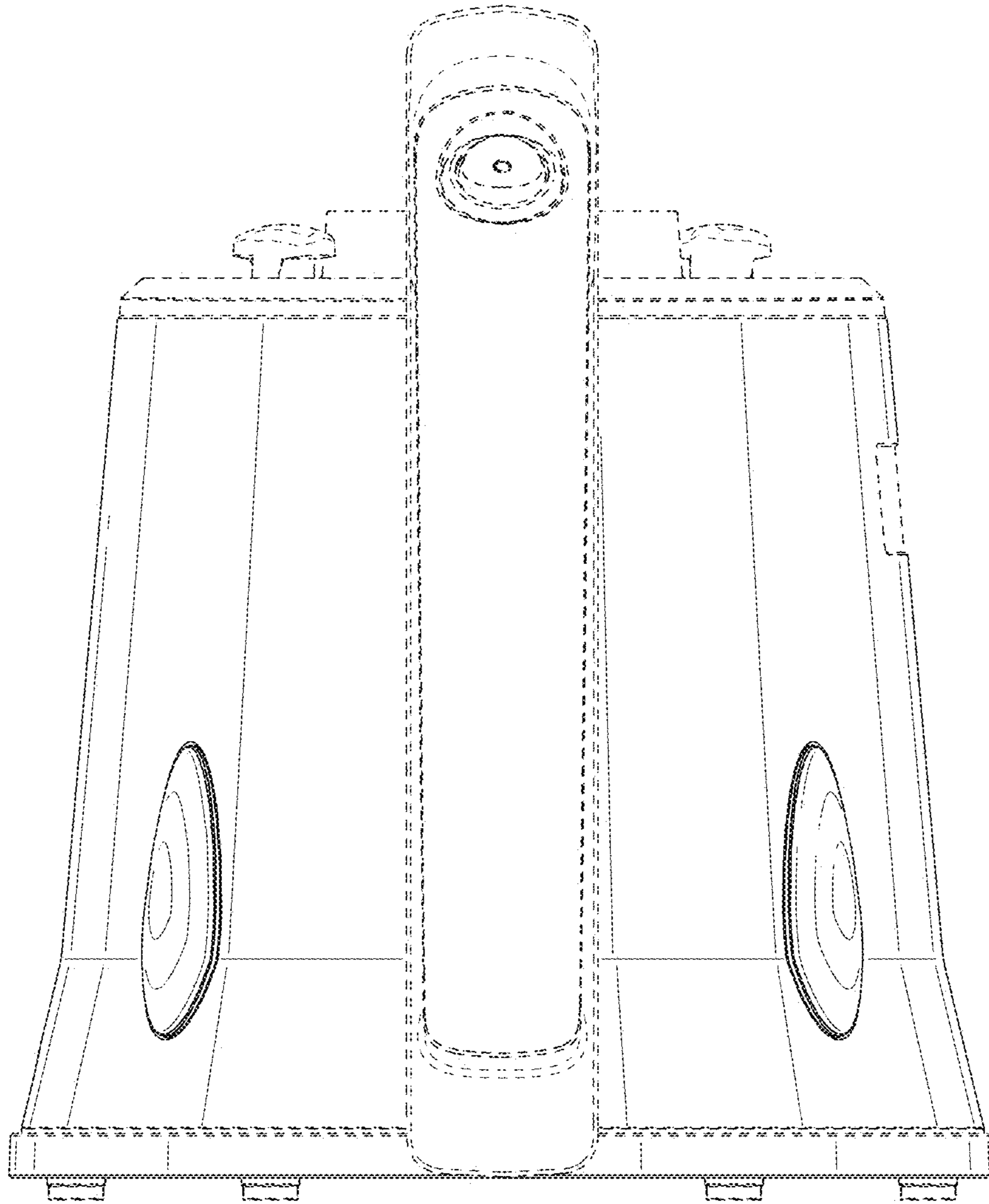


FIG. 3

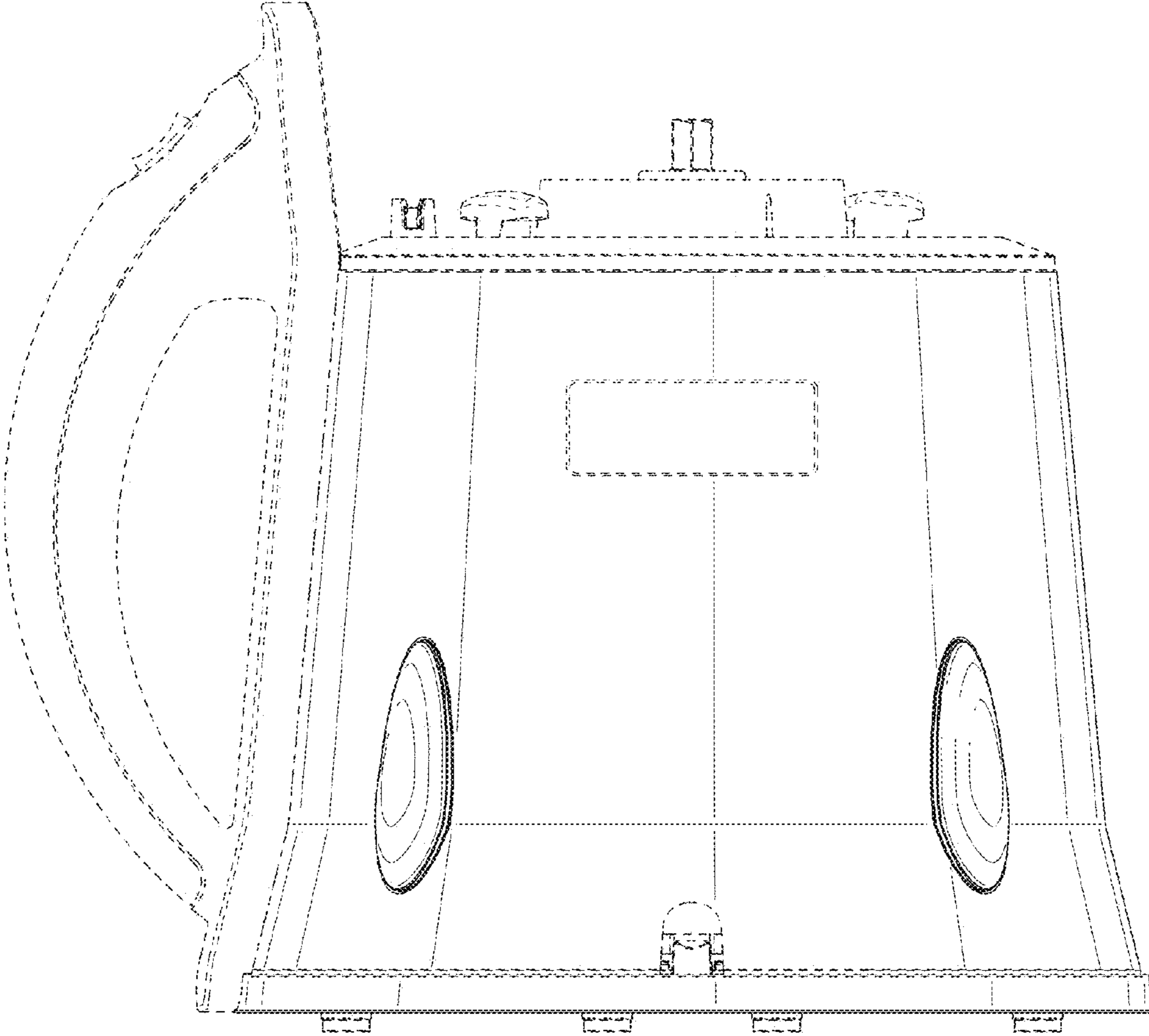


FIG. 4

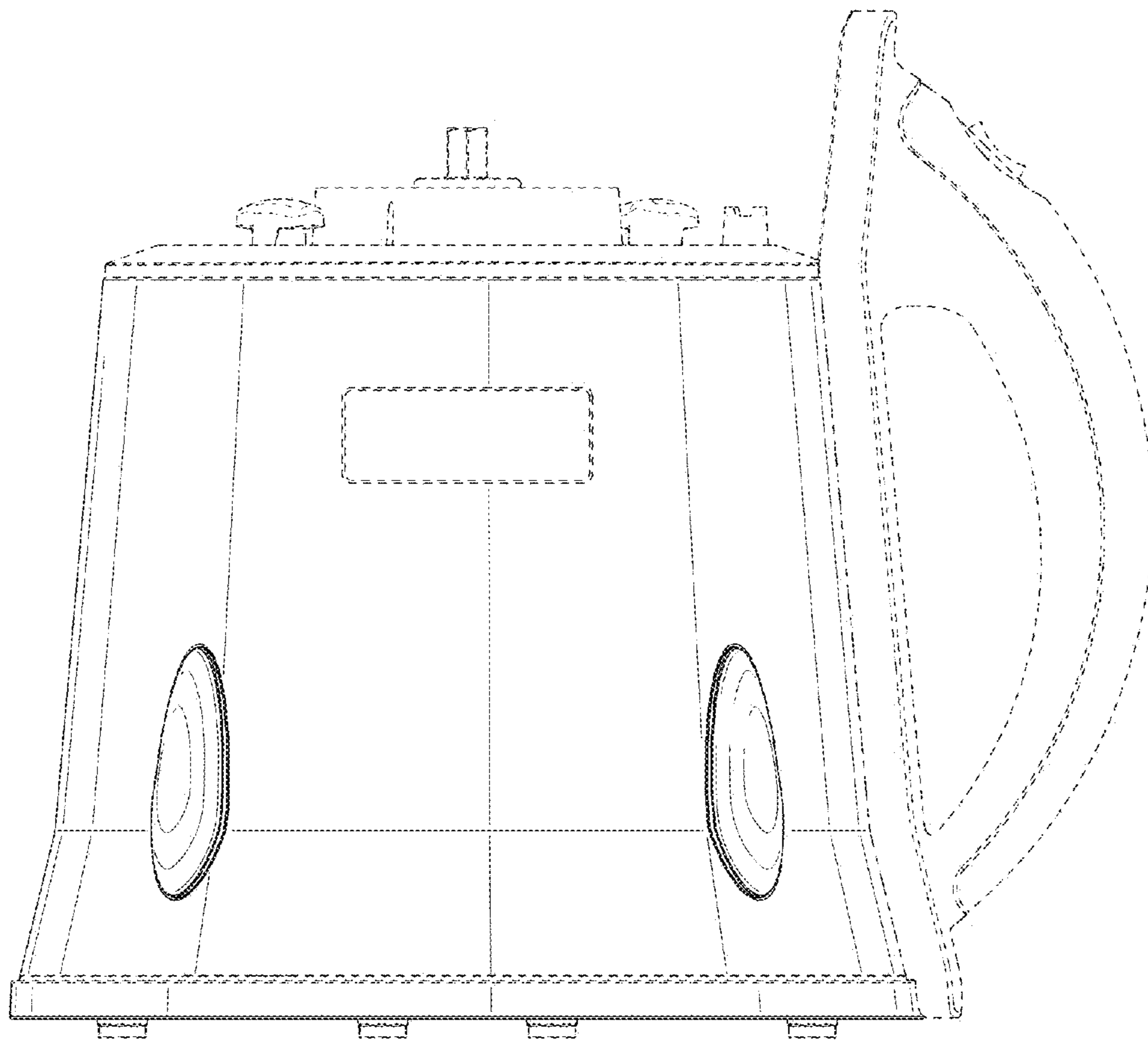


FIG. 5

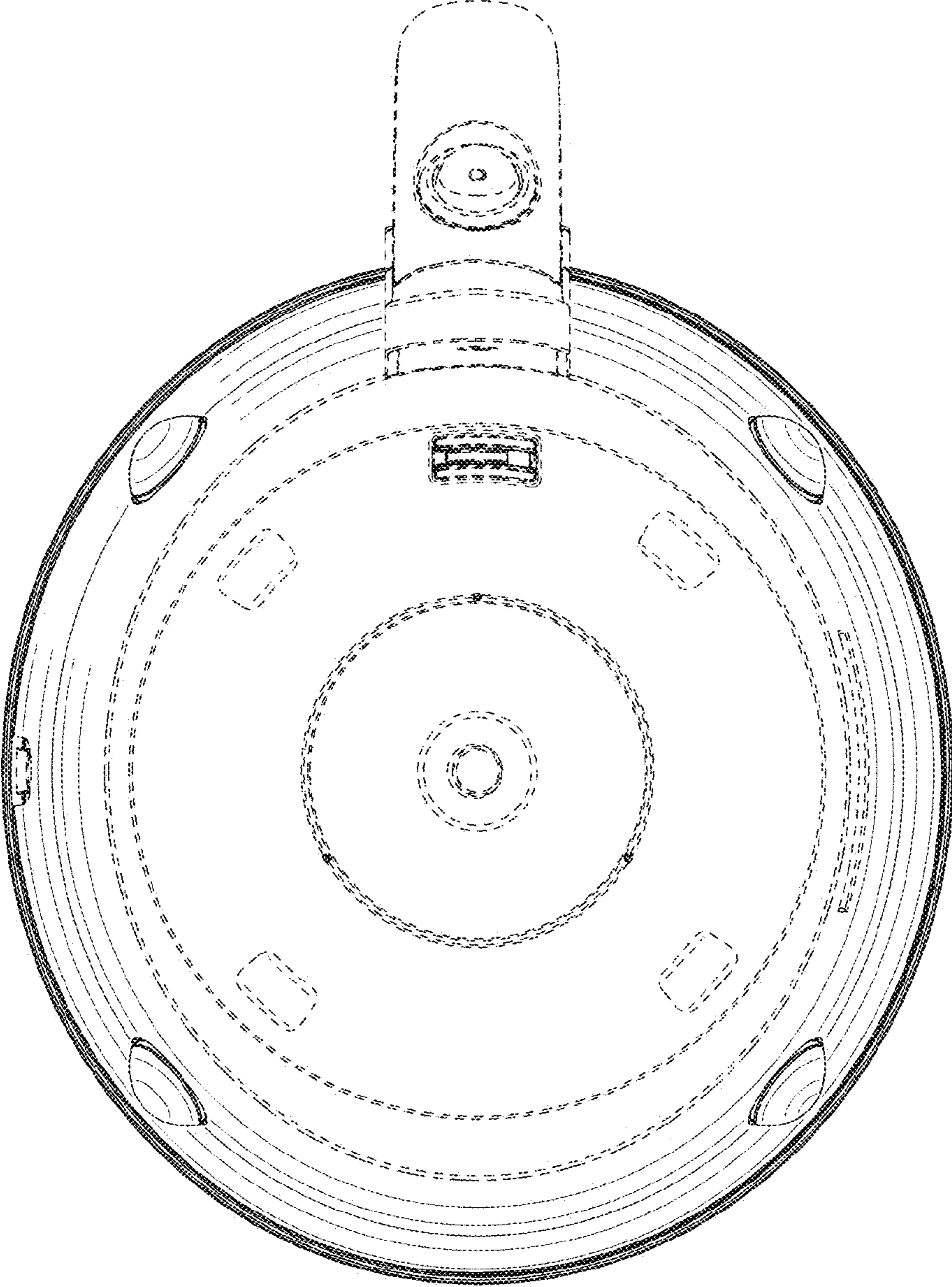


FIG. 6

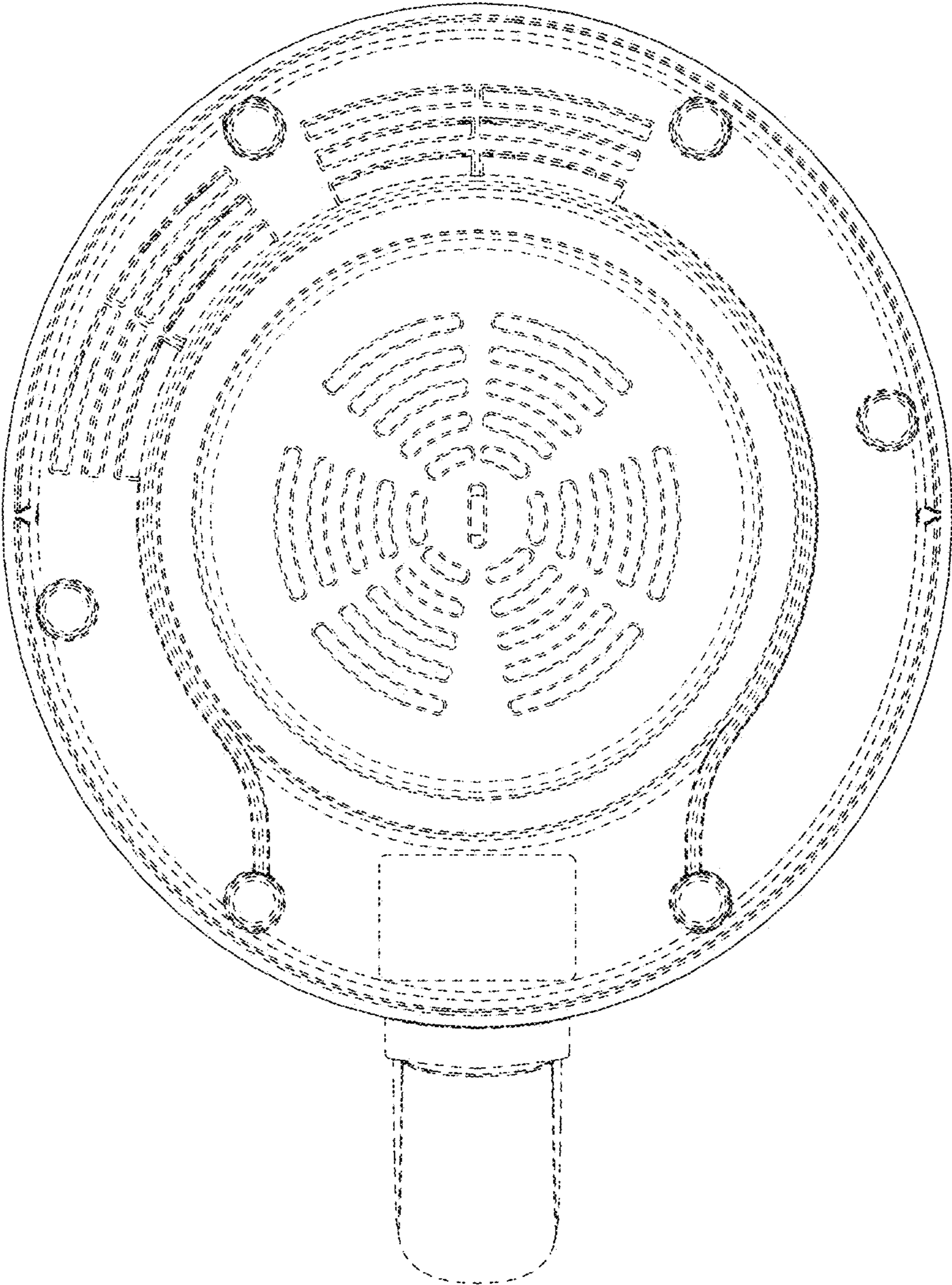


FIG. 7