



US00D684007S

(12) **United States Design Patent**
Dagan et al.

(10) **Patent No.:** **US D684,007 S**
(45) **Date of Patent:** **** Jun. 11, 2013**

(54) **BAKE WARE HANDLE**

(75) Inventors: **Roni Dagan**, Netanya (IL); **Noa Moyal**,
Netanya (IL); **Michael Librus**, Netanya
(IL)

(73) Assignee: **RL Industry Company Ltd**, Ningbo
(CN)

(**) Term: **14 Years**

(21) Appl. No.: **29/399,430**

(22) Filed: **Aug. 15, 2011**

(51) **LOC (9) Cl.** **07-02**

(52) **U.S. Cl.**
USPC **D7/393**

(58) **Field of Classification Search**
USPC D7/323, 354–361, 417, 505, 540–546,
D7/550.1, 551.1, 552.1, 553.1, 553.4–553.8,
D7/554.3, 555, 584, 586, 602, 393, 394;
D9/414, 456, 745, 756; 99/324, 339, 422,
99/426; 220/573.1–573.4, 672–675, 912;
249/117, 119, 122–127, 155–156, 160
See application file for complete search history.

(56) **References Cited**

U.S. PATENT DOCUMENTS

D470,712 S * 2/2003 Swinford et al. D7/360
D479,667 S * 9/2003 Hoff et al. D7/393
D496,825 S * 10/2004 Wiedmeyer et al. D7/393
D503,066 S * 3/2005 Militi D7/359
D539,075 S * 3/2007 Schuler D7/354

D539,601 S * 4/2007 Logan D7/354
D541,104 S * 4/2007 Barber D7/393
D551,492 S * 9/2007 Schuler D7/354
D583,615 S * 12/2008 Simon et al. D7/354
D599,610 S * 9/2009 Logan D7/354
D607,688 S * 1/2010 Hart et al. D7/360
D607,689 S * 1/2010 Hart et al. D7/360
D611,305 S * 3/2010 Hart et al. D7/545
D612,663 S * 3/2010 Galperin D7/354
D628,434 S * 12/2010 Sarnoff et al. D7/359
D663,570 S * 7/2012 Sarnoff et al. D7/354

* cited by examiner

Primary Examiner — Cynthia M Chin

(74) *Attorney, Agent, or Firm* — Mark M. Friedman

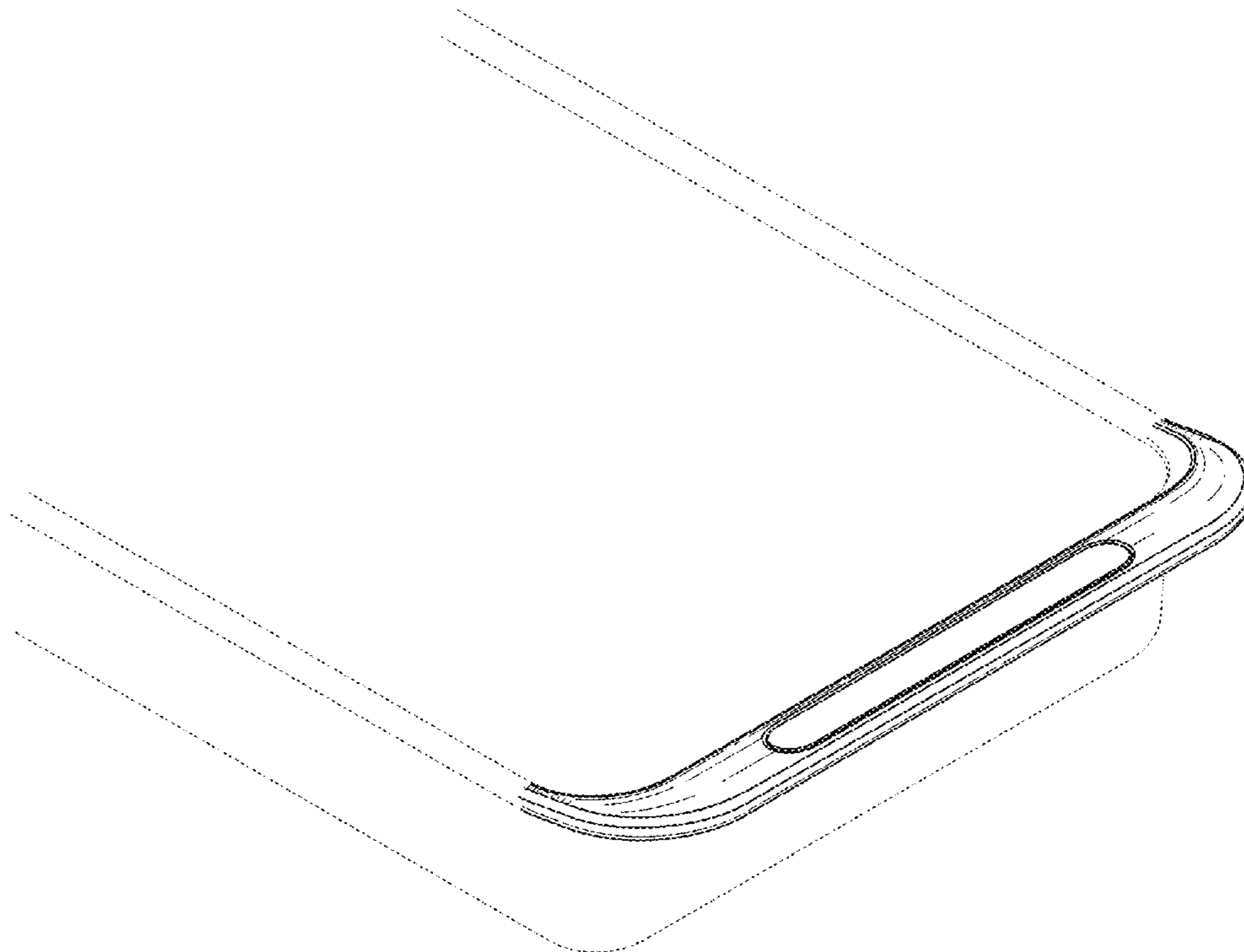
(57) **CLAIM**

The ornamental design for a bake ware handle, as shown and described.

DESCRIPTION

FIG. 1 is a front view of a bake ware handle showing my design;
FIG. 2 is a rear view thereof;
FIG. 3 is a side view thereof;
FIG. 4 is an opposite side view thereof;
FIG. 5 is a top view thereof;
FIG. 6 is a bottom view thereof; and,
FIG. 7 is an isometric side view thereof.
The portions of the article shown in broken lines form no part of the claimed design.

1 Claim, 7 Drawing Sheets



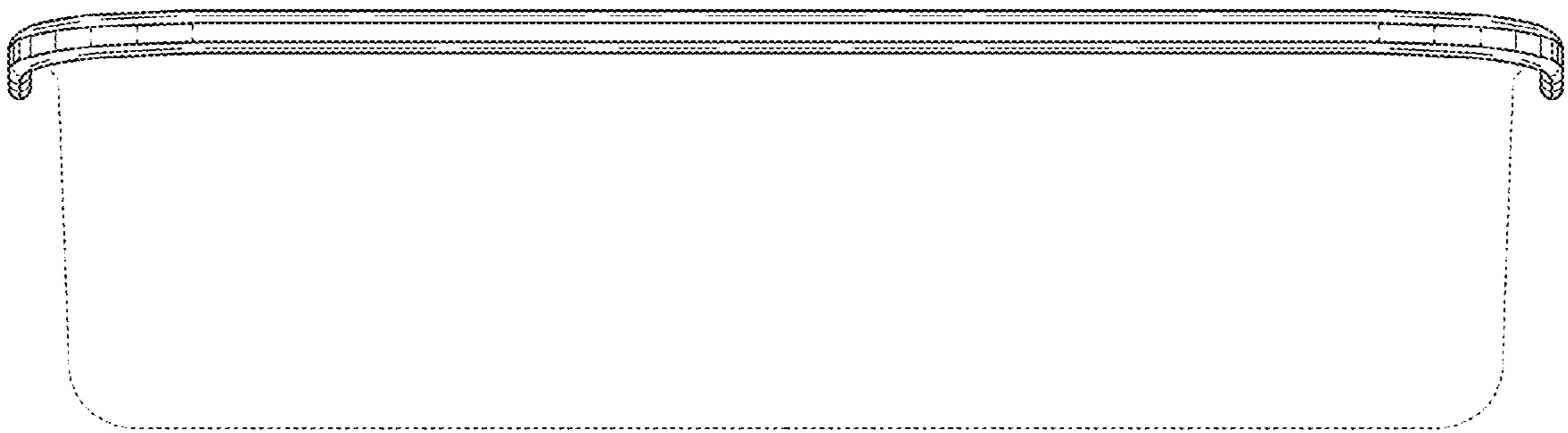


FIG. 1



FIG. 2



FIG. 3

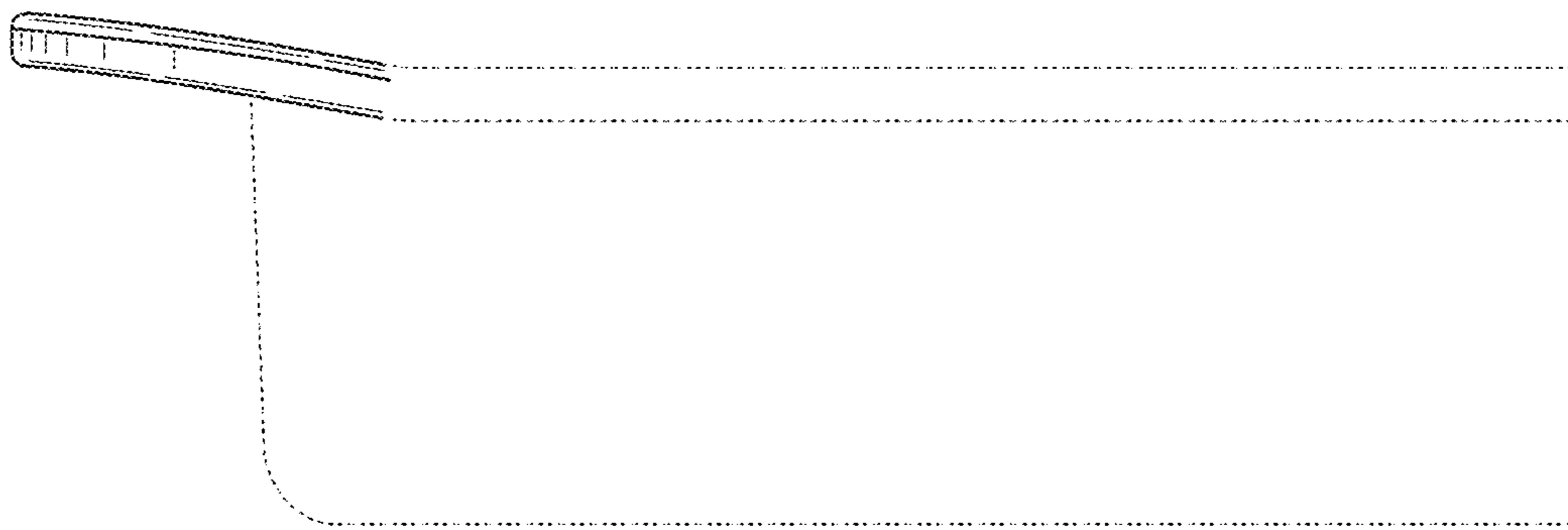


FIG. 4

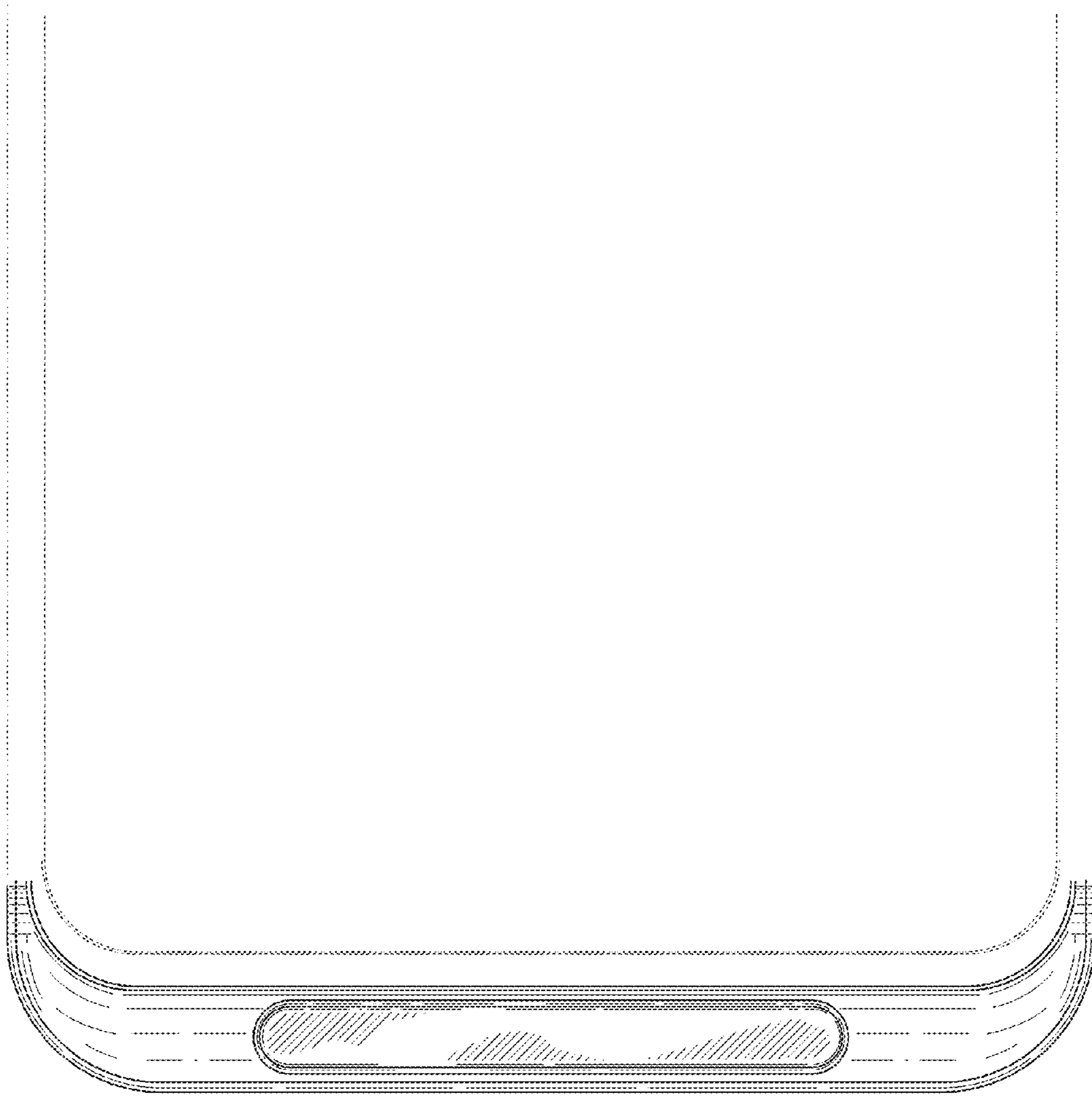


FIG. 5

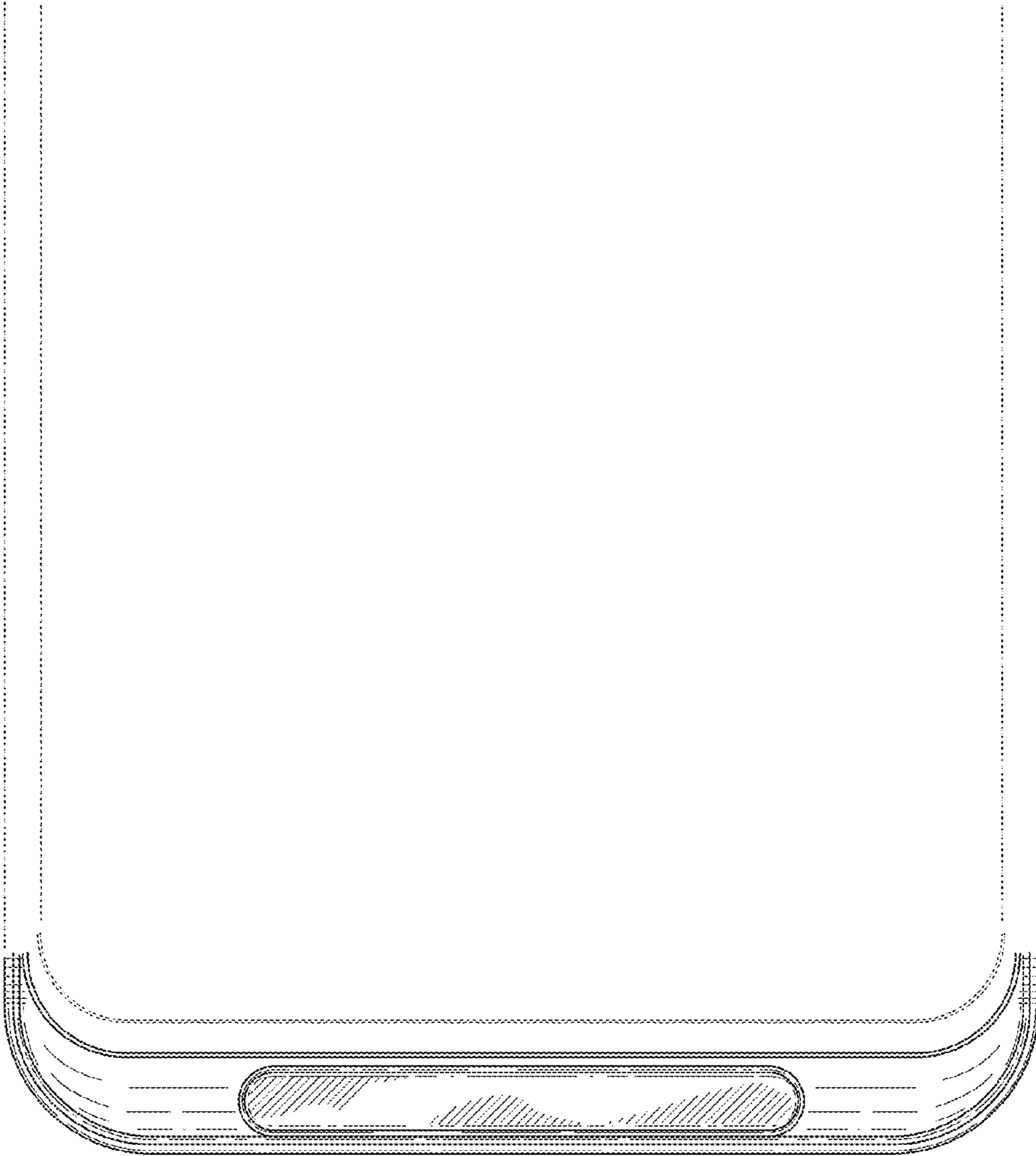


FIG. 6

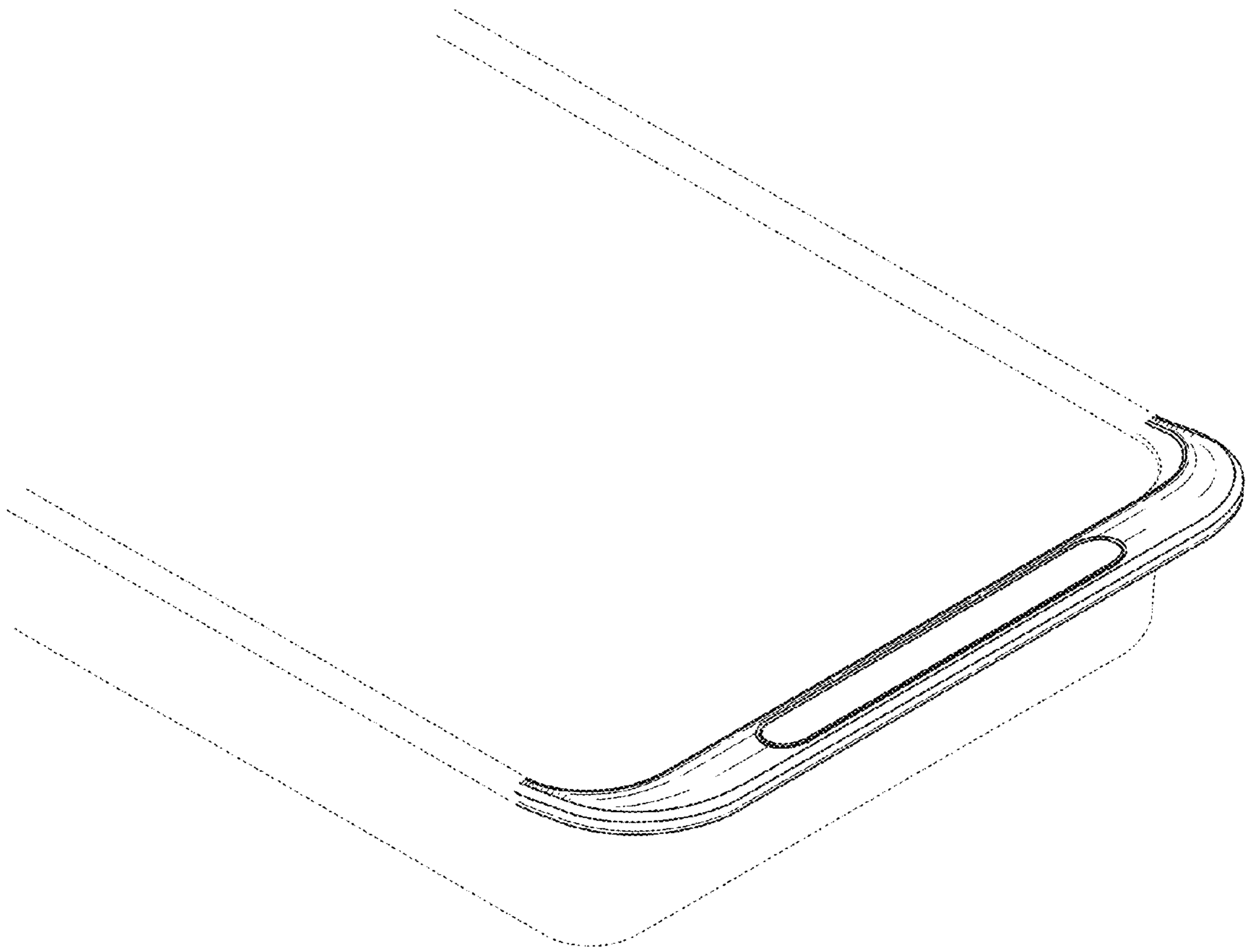


FIG. 7