



US00D684005S

(12) **United States Design Patent**
Mahale et al.

(10) **Patent No.:** **US D684,005 S**
(45) **Date of Patent:** **** Jun. 11, 2013**

(54) **FOOD WASTE DISPOSER**

(75) Inventors: **Nithin Mahale**, Uttara Kannada (IN);
Rakesh Koparde, Karad (IN); **Amit Kumbhar**, Pune (IN); **Kevin McClory**, Zion, IL (US); **Walter Bennage**, Pleasant Prairie, WI (US)

(73) Assignee: **Emerson Electric Co.**, St. Louis, MO (US)

(**) Term: **14 Years**

(21) Appl. No.: **29/418,355**

(22) Filed: **Apr. 16, 2012**

Related U.S. Application Data

(63) Continuation-in-part of application No. 29/409,177, filed on Dec. 21, 2011, now abandoned.

(51) **LOC (9) Cl.** **31-00**

(52) **U.S. Cl.**
USPC **D7/375**

(58) **Field of Classification Search**
USPC D7/301-313, 316-319, 356-357, D7/368, 372-386, 391-398, 412-415, 503, D7/515, 665, 679, 691-693; D34/39; 99/326, 99/348, 492-495, 508-512; 215/384; 241/21, 241/30-37.5, 46.08, 46.013-46.016, 56, 241/91, 101.01-101.2, 166-169.1, 172, 272, 241/285.1-285.3, 291, 292.1; 285/139.2; 366/64-67, 98, 129, 136, 142-144, 192-211, 366/241-254, 262, 279-292, 325.8, 325.92, 366/341-347; 416/75-77, 70 R, 163; 435/264

See application file for complete search history.

(56) **References Cited**

U.S. PATENT DOCUMENTS

D109,972 S	6/1938	Anderson et al.	
D169,626 S	5/1953	Koslo et al.	
D170,874 S	11/1953	Lambert et al.	
2,750,121 A	6/1956	Schmidt et al.	
D178,854 S	9/1956	Waltman et al.	
2,965,318 A *	12/1960	Jordan	241/46.014
2,978,190 A *	4/1961	Brucken et al.	241/46.014
3,025,007 A	3/1962	Wieczorek	
3,026,050 A *	3/1962	Bebinger	241/46.08
D194,128 S	11/1962	Hawkins et al.	

(Continued)

FOREIGN PATENT DOCUMENTS

CN	00336359.7	5/2001
----	------------	--------

OTHER PUBLICATIONS

Photos of insinkerator Badger—444, on sale in the United States earlier than Dec. 1, 2010.

(Continued)

Primary Examiner — Ricky Pham

(74) *Attorney, Agent, or Firm* — Harness, Dickey & Pierce, P.L.C.

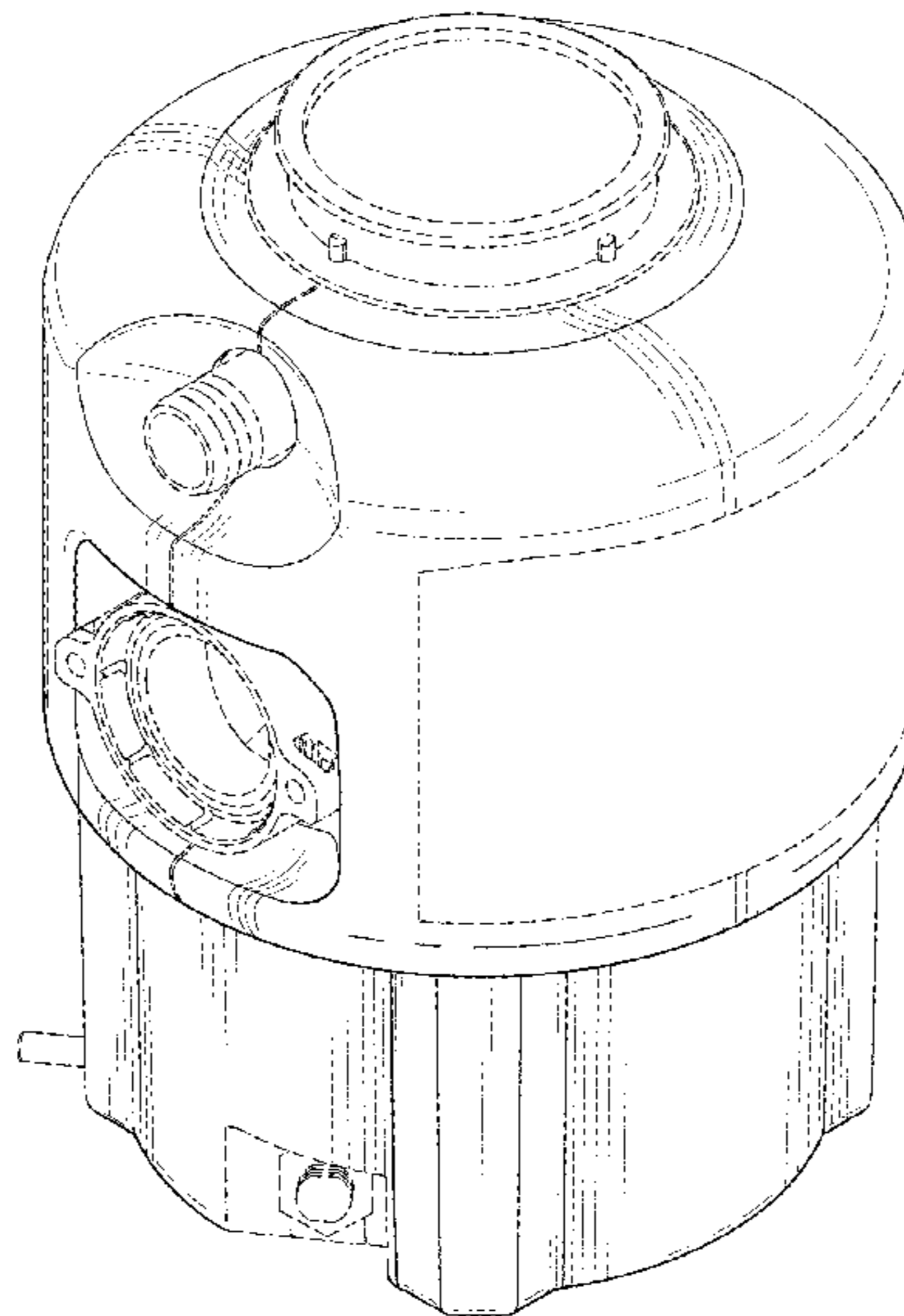
(57) **CLAIM**

The ornamental design for a food waste disposer, as shown and described.

DESCRIPTION

FIG. 1 is a perspective view;
FIG. 2 is a front elevational view;
FIG. 3 is a rear elevational view;
FIG. 4 is a left elevational view;
FIG. 5 is a right elevational view;
FIG. 6 is a top plan view; and,
FIG. 7 is a bottom plan view.
The broken lines in all views are for the purpose of illustration and are not part of the claimed design.

1 Claim, 6 Drawing Sheets



U.S. PATENT DOCUMENTS

3,159,354	A *	12/1964	Yartz et al.	241/46.08
3,163,369	A *	12/1964	Hogue	241/46.08
3,165,271	A *	1/1965	Enright	241/46.014
3,236,462	A *	2/1966	Stout	241/46.016
3,246,132	A *	4/1966	Jordan et al.	285/139.2
D207,918	S	6/1967	Clark et al.	
3,335,969	A	8/1967	Egle et al.	
D212,127	S	8/1968	Smith et al.	
3,443,764	A *	5/1969	Wetzel	241/46.014
3,534,913	A *	10/1970	William	241/36
D226,028	S	1/1973	Kennedy et al.	
3,739,992	A *	6/1973	Bebinger	241/46.014
3,814,333	A *	6/1974	Sapienza	241/46.014
3,862,720	A *	1/1975	Guth	241/46.015
3,875,462	A *	4/1975	Kiefer et al.	241/36
D237,299	S	10/1975	Pitts et al.	
D237,300	S	10/1975	Pitts	
D237,301	S	10/1975	Pitts	
D237,302	S	10/1975	Pitts	
D237,303	S	10/1975	Pitts	
D237,304	S	10/1975	Pitts	
D237,305	S	10/1975	Pitts	
D237,306	S	10/1975	Pitts	
4,717,031	A *	1/1988	Hewson	215/384
5,340,036	A *	8/1994	Riley	241/56
D374,959	S *	10/1996	Mull	D34/39
5,795,062	A *	8/1998	Johnson	366/136
5,856,173	A *	1/1999	Riley et al.	435/264
6,007,006	A *	12/1999	Engel et al.	241/46.014
D419,362	S *	1/2000	Bouhuys	D7/306
D426,421	S	6/2000	Hirsch et al.	
D430,987	S	9/2000	Brandel et al.	
D431,153	S	9/2000	Brandel et al.	
D431,751	S	10/2000	Cahen	
D431,752	S *	10/2000	Brandel et al.	D7/375
D436,496	S	1/2001	Anderson et al.	
D451,755	S	12/2001	Brandel et al.	
D452,110	S	12/2001	Brandel et al.	
D454,467	S *	3/2002	Magermans et al.	D7/313
D455,603	S	4/2002	Brandel et al.	
D455,604	S	4/2002	Brandel et al.	
6,439,487	B1 *	8/2002	Anderson et al.	241/46.013
6,481,652	B2 *	11/2002	Strutz et al.	241/46.013
D474,365	S *	5/2003	Valentino	D7/306
D486,797	S	2/2004	Anderson et al.	
7,048,213	B2	5/2006	Strutz et al.	
7,100,850	B2 *	9/2006	Farmerie	241/21
D534,760	S	1/2007	Patterson et al.	
D534,761	S	1/2007	Patterson et al.	
D535,142	S	1/2007	Patterson et al.	
D535,518	S	1/2007	Patterson et al.	

D535,850	S	1/2007	Patterson et al.	
D536,211	S	2/2007	Jara-Almonte et al.	
D537,673	S	3/2007	Anderson et al.	
D539,078	S	3/2007	Anderson et al.	
D542,594	S	5/2007	Jara-Almonte et al.	
D542,595	S	5/2007	Jara-Almonte et al.	
7,331,539	B2 *	2/2008	Jara-Almonte et al.	241/46.014
D588,862	S	3/2009	Saeed et al.	
7,578,460	B2 *	8/2009	Berger	241/46.014
7,654,480	B2 *	2/2010	Baer et al.	241/36
7,918,411	B2 *	4/2011	Anderson et al.	241/46.016
7,963,469	B2 *	6/2011	Hanson	241/46.013
7,971,810	B2 *	7/2011	Hirsch et al.	241/35
D654,302	S *	2/2012	Shepherd	D7/375
8,146,843	B2 *	4/2012	Ye et al.	241/46.013
8,220,731	B2 *	7/2012	Berger et al.	241/46.013
2002/0104909	A1 *	8/2002	Strutz	241/46.013
2002/0170990	A1 *	11/2002	Anderson et al.	241/46.014
2004/0256506	A1 *	12/2004	Berger	241/46.013

OTHER PUBLICATIONS

Photos of insinkerator Badger—555, on sale in the United States earlier than Dec. 1, 2010.
 Photos of insinkerator Badger—777, on sale in the United States earlier than Dec. 1, 2010.
 Photos of insinkerator Badger 5 Plus, on sale in the United States earlier than Dec. 1, 2010.
 Photos of insinkerator Contractor 333, on sale in the United States earlier than Dec. 1, 2010.
 Photos of Evergrind E303, on sale in the United States earlier than Dec. 1, 2010.
 Photos of Evergrind E404, on sale in the United States earlier than Dec. 1, 2010.
 Insinkerator—“The Practical Idea That Built a Powerful Brand”, Emerson Appliance Solutions—© 2008.
 Photos of insinkerator Foodservice LC-50, on sale in the United States earlier than Dec. 1, 2010.
 ShinMaywa Corporation DH150SW, Dec. 1, 2003.
 White Westinghouse International Series Heavy-Duty Food Waste Disposer, Dec. 2006.
 GFC1000Y Spec Sheet, Jul. 1997.
 GFC700Y Spec Sheet, Jul. 1997.
 GFC705Y Spec Sheet, Jul. 1997.
 GFC300Y Product Brochure, Jun. 2000.
 GFC800Y Spec Sheet, Jul. 1997.
 GFC290Y Spec Sheet, Jul. 1997.
 GFC295Y Product Brochure, Jun. 2000.
 GFB1050V Spec Sheet, Mar. 1996.

* cited by examiner

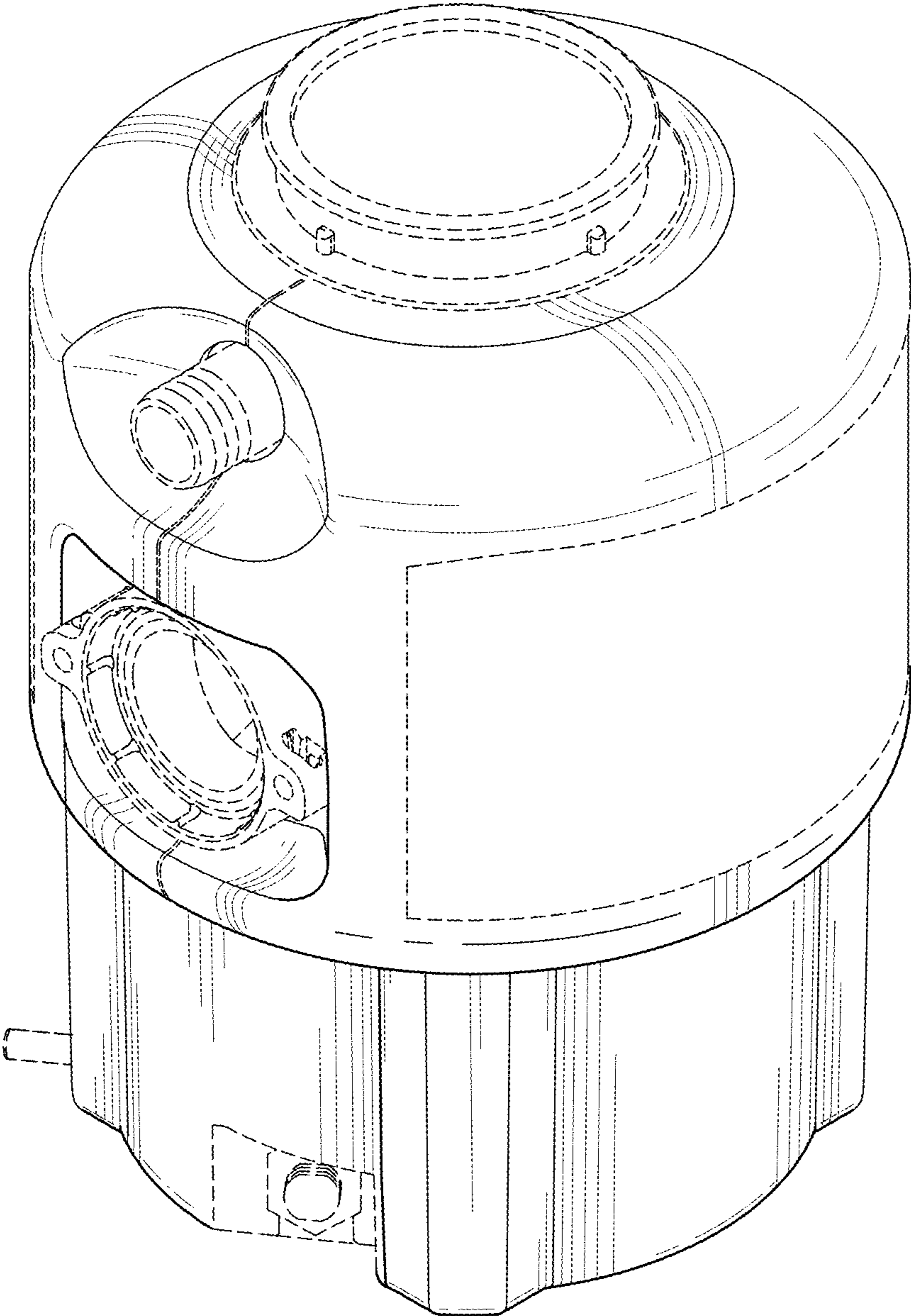


Fig-1

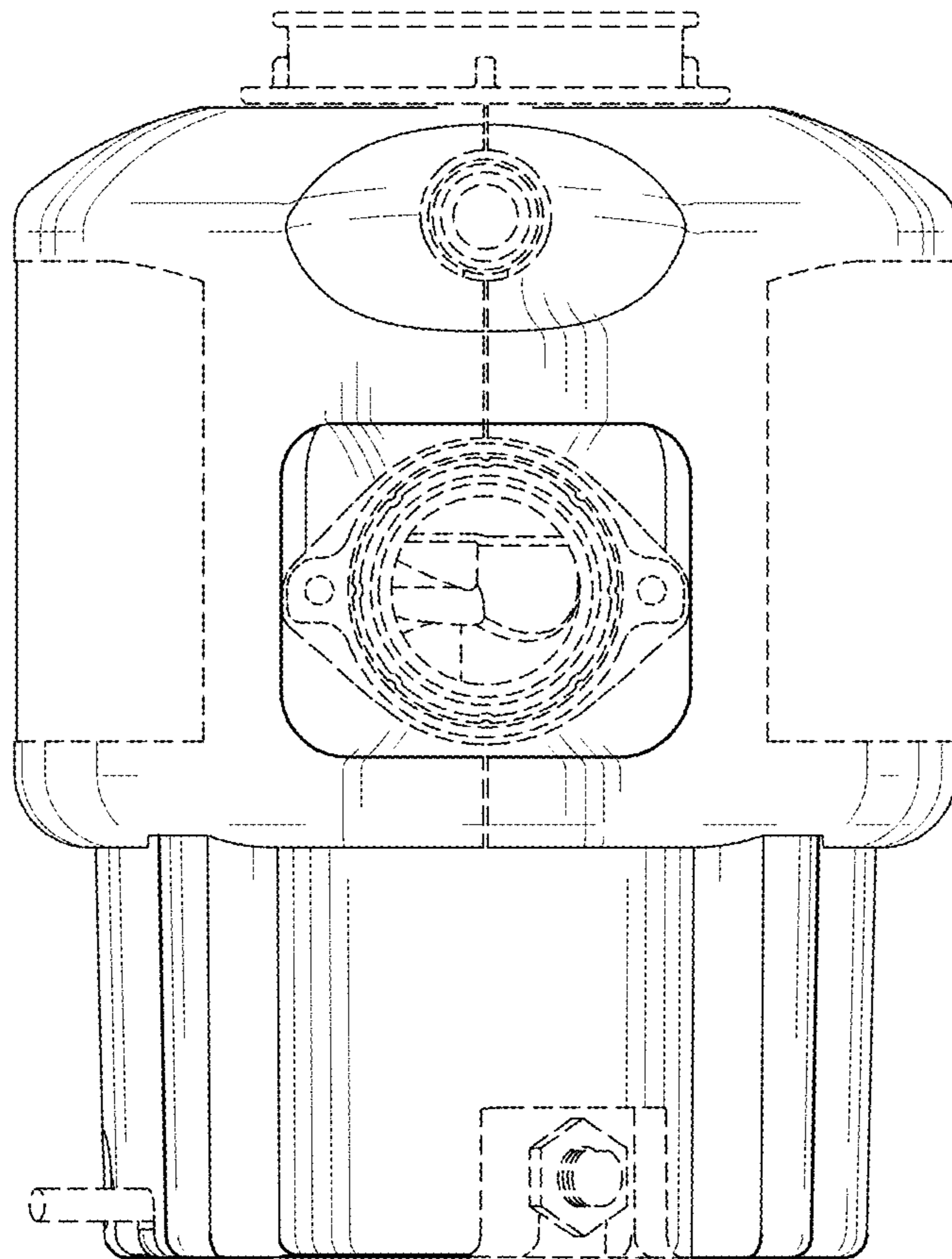


Fig-2

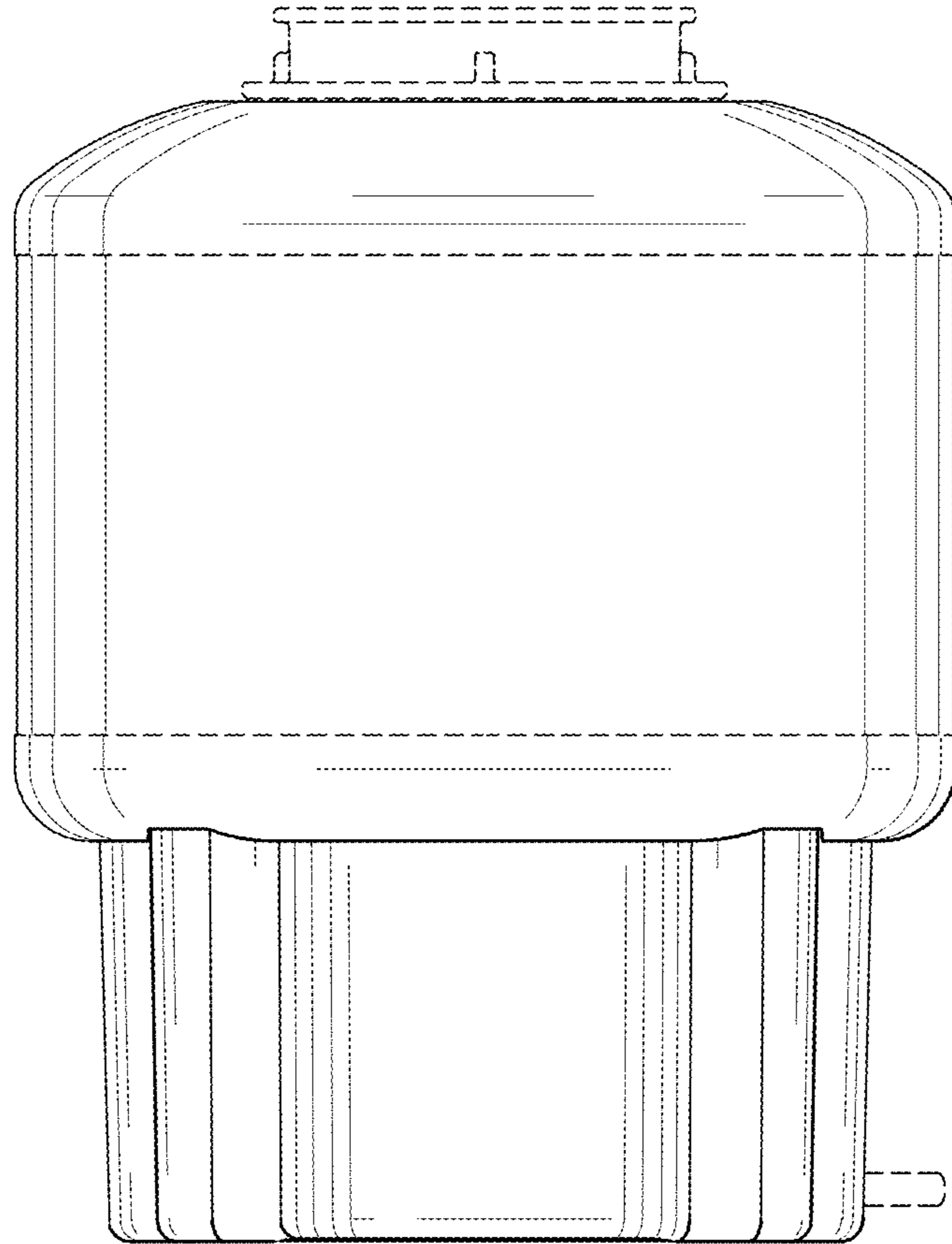


Fig-3

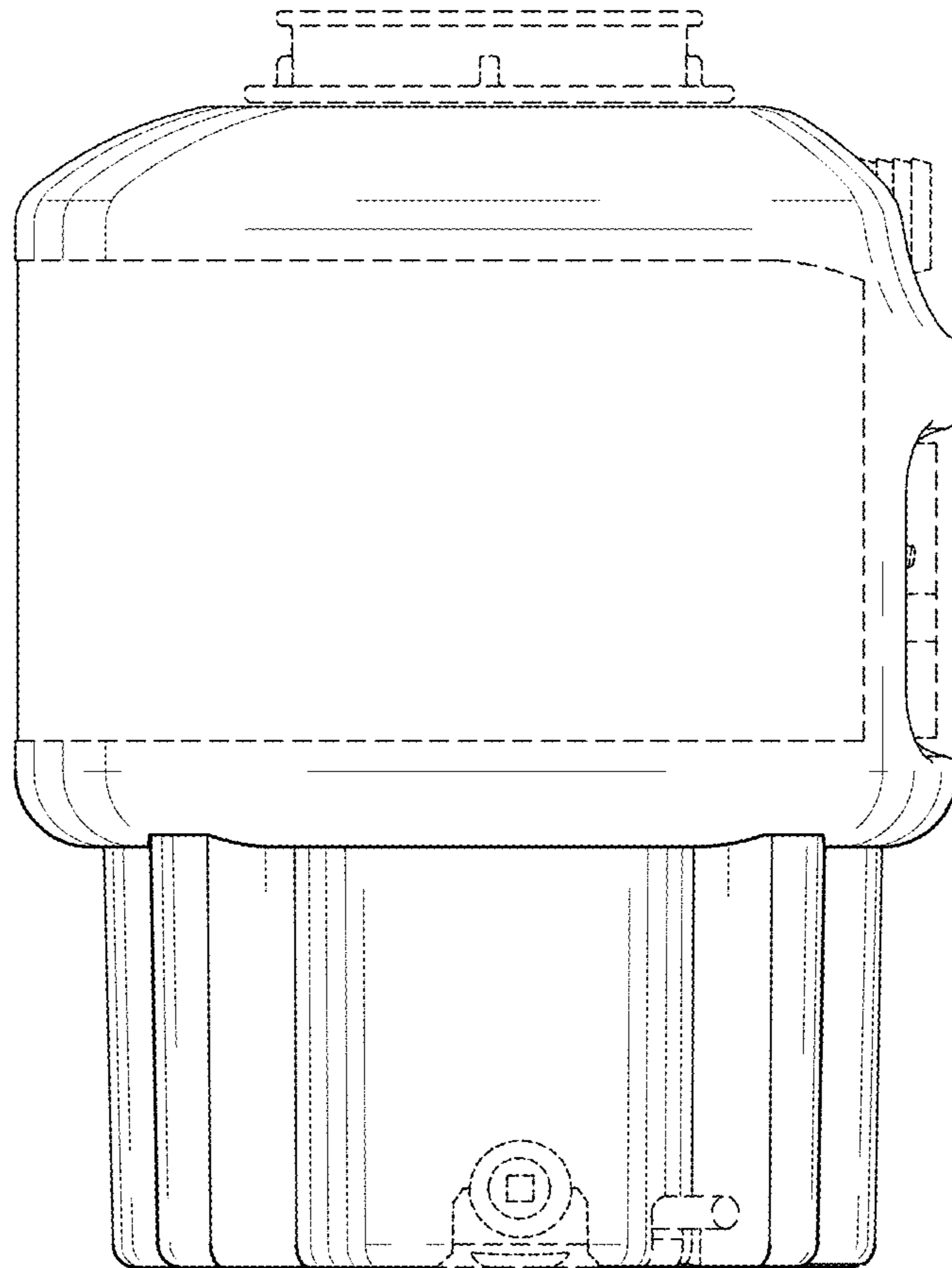


Fig-4

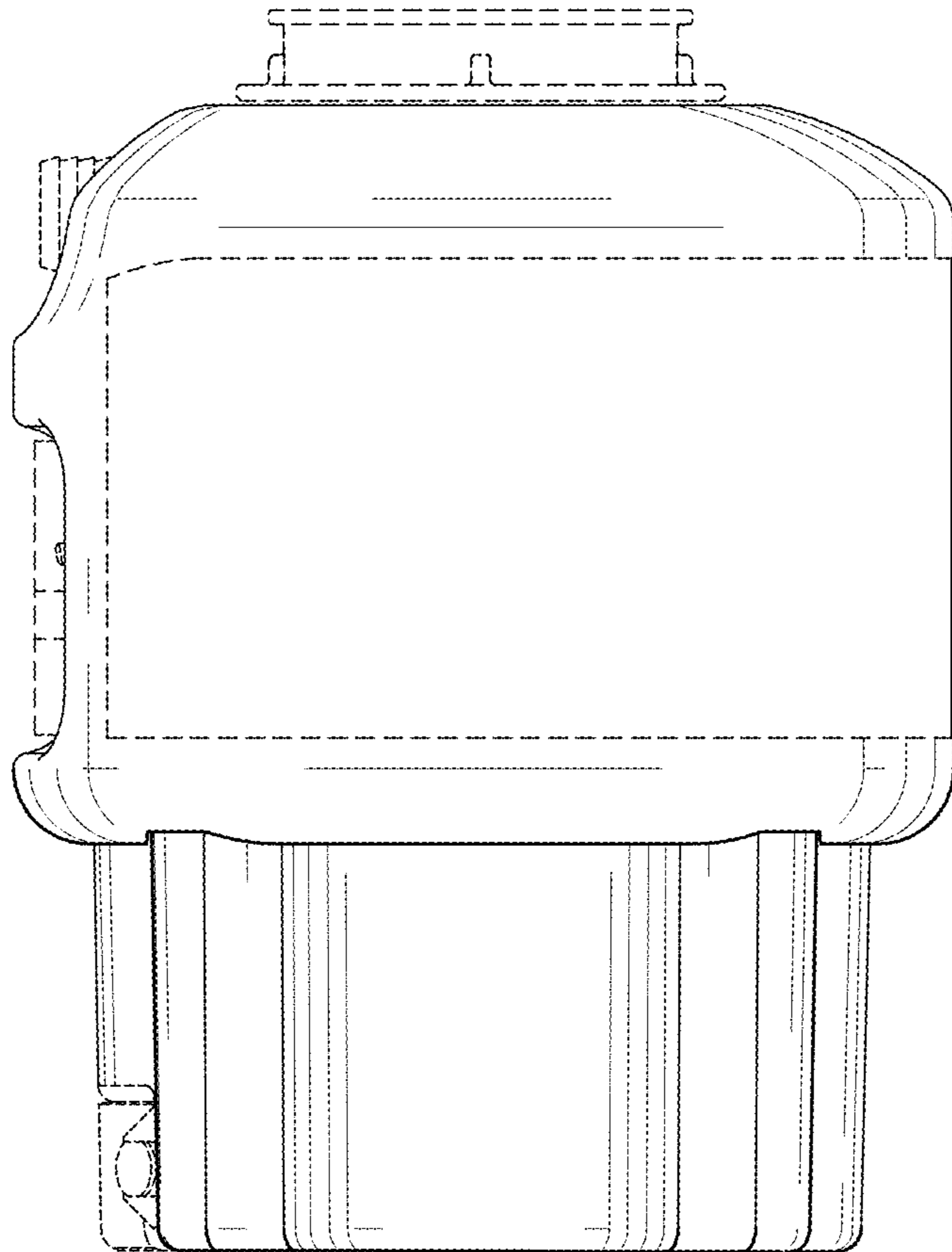


Fig-5

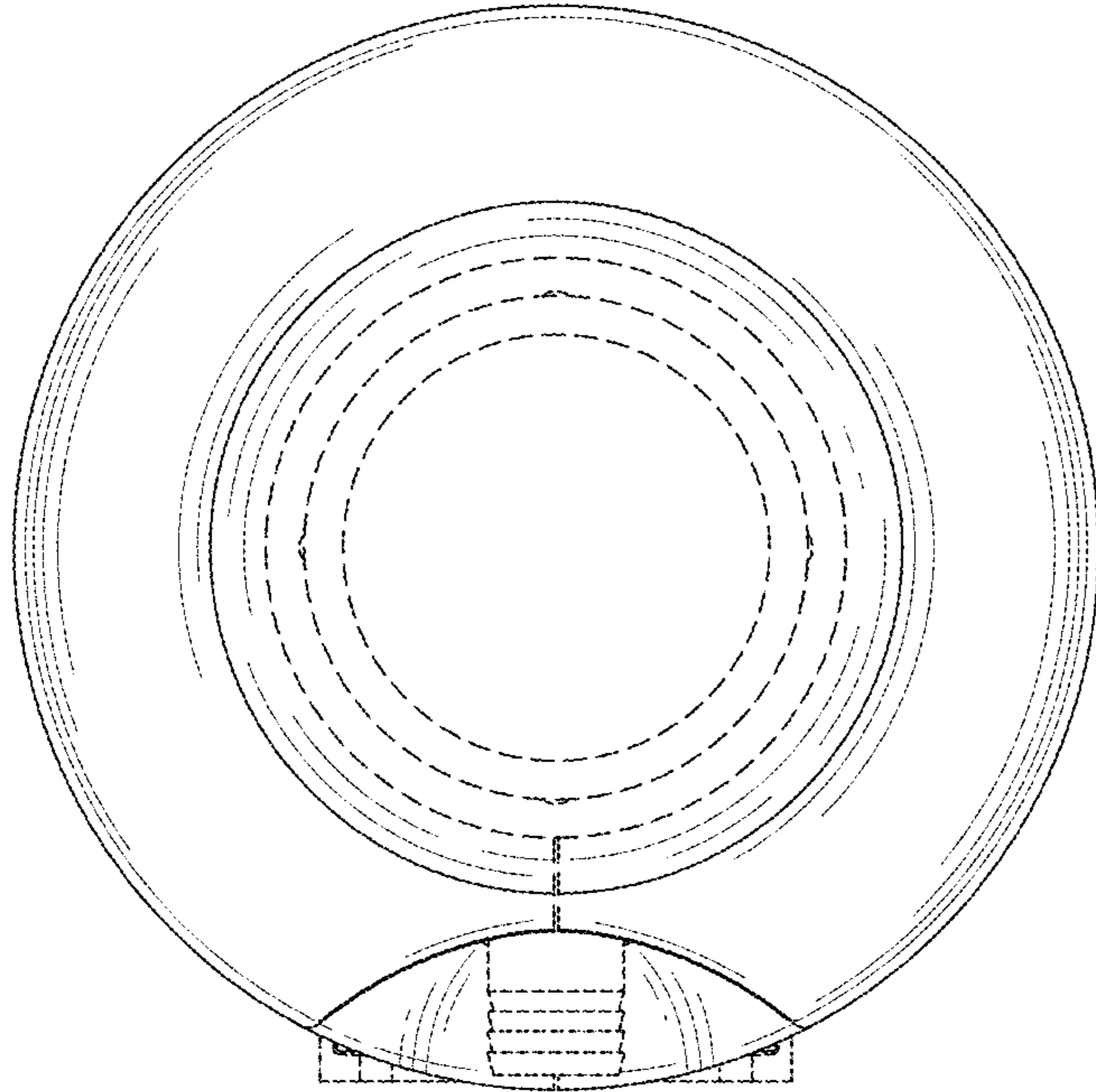


Fig-6

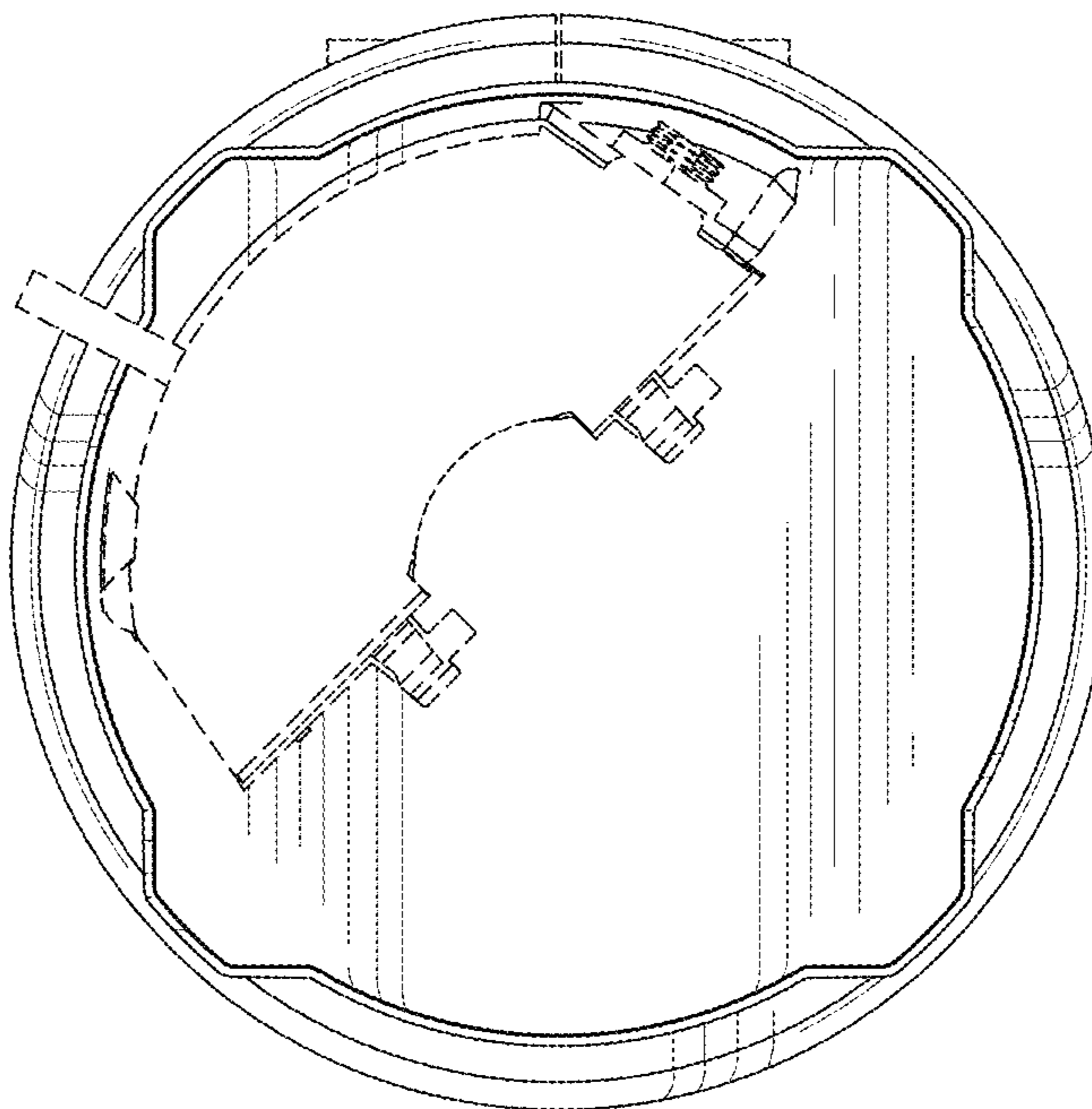


Fig-7