



US00D684004S

(12) **United States Design Patent**
Koparde et al.

(10) **Patent No.:** **US D684,004 S**
(45) **Date of Patent:** **** Jun. 11, 2013**

(54) **FOOD WASTE DISPOSER**

(56) **References Cited**

(75) Inventors: **Rakesh Koparde**, Karad (IN); **Amit Kumbhar**, Pune (IN); **Nithin Mahale**, Uttara Kannada (IN); **Walter Bennage**, Pleasant Prairie, WI (US); **Kevin McClory**, Zion, IL (US)

(73) Assignee: **Emerson Electric Co.**, St. Louis, MO (US)

(**) Term: **14 Years**

(21) Appl. No.: **29/418,352**

(22) Filed: **Apr. 16, 2012**

Related U.S. Application Data

(63) Continuation-in-part of application No. 29/409,175, filed on Dec. 21, 2011, now abandoned.

(51) **LOC (9) Cl.** **31-00**

(52) **U.S. Cl.**
USPC **D7/375**

(58) **Field of Classification Search**
USPC D7/301-313, 316-319, 356-357, D7/368, 372-386, 391-398, 412-415, 503, D7/515, 665, 679, 691-693; D34/39; 99/326, 99/348, 492-495, 508-512; 215/384; 241/21, 241/30-37.5, 46.08, 46.013-46.016, 56, 241/91, 101.01-101.2, 166-169.1, 172, 272, 241/285.1-285.3, 291, 292.1; 285/139.2; 366/64-67, 98, 129, 136, 142-144, 192-211, 366/241-254, 262, 279-292, 325.8, 325.92, 366/341-347; 416/75-77, 70 R, 163; 435/264

See application file for complete search history.

U.S. PATENT DOCUMENTS

| | | |
|---------------|---------|--------------------------------|
| D109,972 S | 6/1938 | Anderson et al. |
| D169,626 S | 5/1953 | Koslo et al. |
| D170,874 S | 11/1953 | Lambert et al. |
| 2,750,121 A | 6/1956 | Schmidt et al. |
| D178,854 S | 9/1956 | Waltman et al. |
| 2,965,318 A * | 12/1960 | Jordan 241/46.014 |
| 2,978,190 A * | 4/1961 | Brucken et al. 241/46.014 |
| 3,025,007 A | 3/1962 | Wieczorek |
| 3,026,050 A * | 3/1962 | Bebinger 241/46.08 |
| D194,128 S | 11/1962 | Hawkins et al. |

(Continued)

FOREIGN PATENT DOCUMENTS

CN 00336359.7 5/2001

OTHER PUBLICATIONS

Photos of insinkerator Badger—444, on sale in the United States earlier than Dec. 1, 2010.

(Continued)

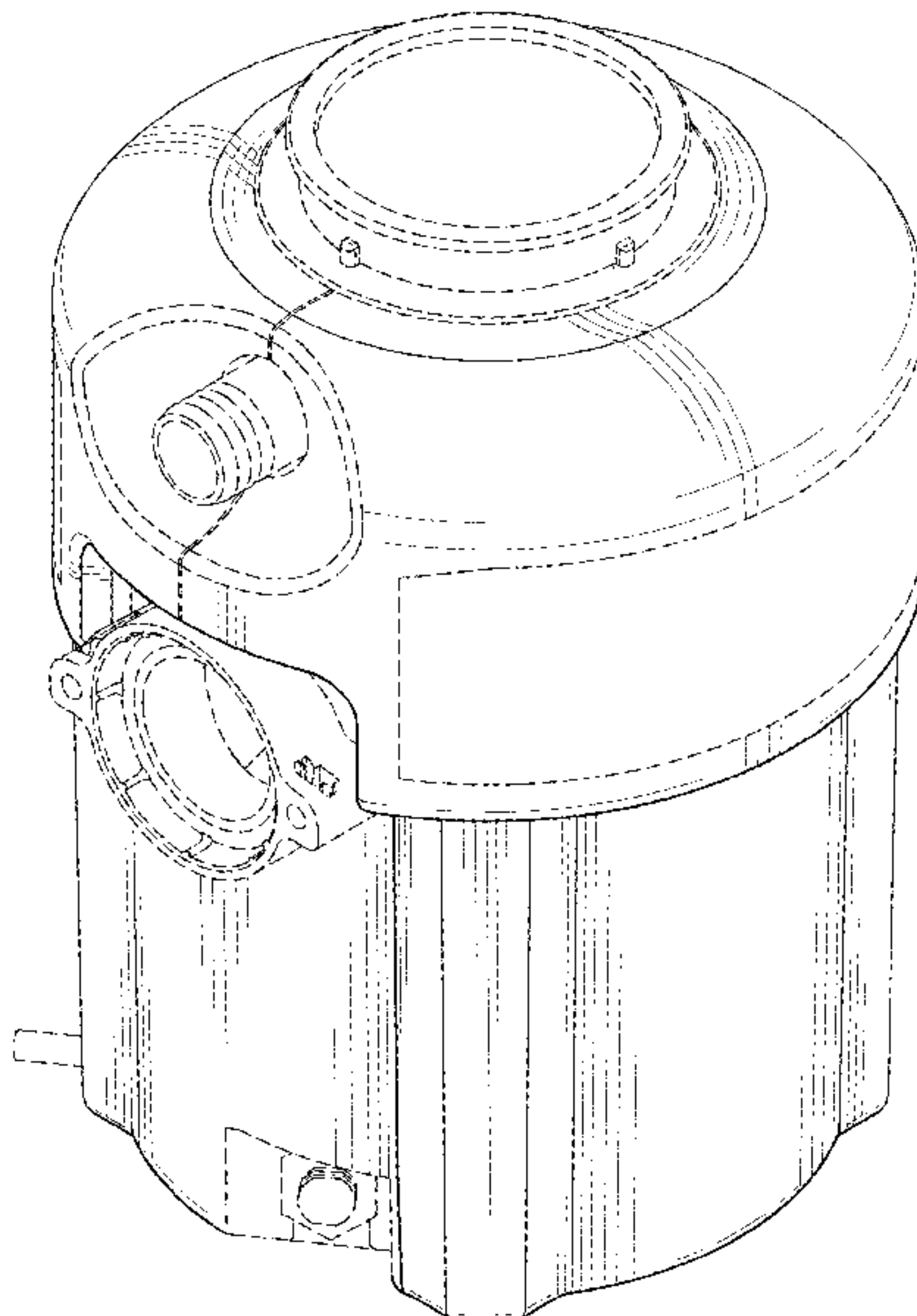
Primary Examiner — Ricky Pham
(74) *Attorney, Agent, or Firm* — Harness, Dickey & Pierce, P.L.C.

(57) **CLAIM**
The ornamental design for a food waste disposer, as shown and described.

DESCRIPTION

FIG. 1 is a perspective view;
FIG. 2 is a front elevational view;
FIG. 3 is a rear elevational view;
FIG. 4 is a left elevational view;
FIG. 5 is a right elevational view;
FIG. 6 is a top plan view; and,
FIG. 7 is a bottom plan view.
The broken lines in all views are for the purpose of illustration and are not part of the claimed design.

1 Claim, 6 Drawing Sheets



U.S. PATENT DOCUMENTS

| | | | | |
|-----------|------|---------|------------------|------------|
| 3,159,354 | A * | 12/1964 | Yartz et al. | 241/46.08 |
| 3,163,369 | A * | 12/1964 | Hogue | 241/46.08 |
| 3,165,271 | A * | 1/1965 | Enright | 241/46.014 |
| 3,236,462 | A * | 2/1966 | Stout | 241/46.016 |
| 3,246,132 | A * | 4/1966 | Jordan et al. | 285/139.2 |
| D207,918 | S | 6/1967 | Clark et al. | |
| 3,335,969 | A | 8/1967 | Egle et al. | |
| D212,127 | S | 8/1968 | Smith et al. | |
| 3,443,764 | A * | 5/1969 | Wetzel | 241/46.014 |
| 3,534,913 | A * | 10/1970 | William | 241/36 |
| D226,028 | S | 1/1973 | Kennedy et al. | |
| 3,739,992 | A * | 6/1973 | Bebinger | 241/46.014 |
| 3,814,333 | A * | 6/1974 | Sapienza | 241/46.014 |
| 3,862,720 | A * | 1/1975 | Guth | 241/46.015 |
| 3,875,462 | A * | 4/1975 | Kiefer et al. | 241/36 |
| D237,299 | S | 10/1975 | Pitts et al. | |
| D237,300 | S | 10/1975 | Pitts | |
| D237,301 | S | 10/1975 | Pitts | |
| D237,302 | S | 10/1975 | Pitts | |
| D237,303 | S | 10/1975 | Pitts | |
| D237,304 | S | 10/1975 | Pitts | |
| D237,305 | S | 10/1975 | Pitts | |
| D237,306 | S | 10/1975 | Pitts | |
| 4,717,031 | A * | 1/1988 | Hewson | 215/384 |
| 5,340,036 | A * | 8/1994 | Riley | 241/56 |
| D374,959 | S * | 10/1996 | Mull | D34/39 |
| 5,795,062 | A * | 8/1998 | Johnson | 366/136 |
| 5,856,173 | A * | 1/1999 | Riley et al. | 435/264 |
| 6,007,006 | A * | 12/1999 | Engel et al. | 241/46.014 |
| D419,362 | S * | 1/2000 | Bouhuys | D7/306 |
| D426,421 | S | 6/2000 | Hirsch et al. | |
| D430,987 | S | 9/2000 | Brandel et al. | |
| D431,153 | S | 9/2000 | Brandel et al. | |
| D431,751 | S | 10/2000 | Cahen | |
| D431,752 | S * | 10/2000 | Brandel et al. | D7/375 |
| D436,496 | S | 1/2001 | Anderson et al. | |
| D451,755 | S | 12/2001 | Brandel et al. | |
| D452,110 | S | 12/2001 | Brandel et al. | |
| D454,467 | S * | 3/2002 | Magermans et al. | D7/313 |
| D455,603 | S | 4/2002 | Brandel et al. | |
| D455,604 | S | 4/2002 | Brandel et al. | |
| 6,439,487 | B1 * | 8/2002 | Anderson et al. | 241/46.013 |
| 6,481,652 | B2 * | 11/2002 | Strutz et al. | 241/46.013 |
| D474,365 | S * | 5/2003 | Valentino | D7/306 |
| D486,797 | S | 2/2004 | Anderson et al. | |
| 7,048,213 | B2 | 5/2006 | Strutz et al. | |
| 7,100,850 | B2 * | 9/2006 | Farmerie | 241/21 |
| D534,760 | S | 1/2007 | Patterson et al. | |
| D534,761 | S | 1/2007 | Patterson et al. | |
| D535,142 | S | 1/2007 | Patterson et al. | |
| D535,518 | S | 1/2007 | Patterson et al. | |

| | | | | |
|--------------|------|---------|---------------------|------------|
| D535,850 | S | 1/2007 | Patterson et al. | |
| D536,211 | S | 2/2007 | Jara-Almonte et al. | |
| D537,673 | S | 3/2007 | Anderson et al. | |
| D539,078 | S | 3/2007 | Anderson et al. | |
| D542,594 | S | 5/2007 | Jara-Almonte et al. | |
| D542,595 | S | 5/2007 | Jara-Almonte et al. | |
| 7,331,539 | B2 * | 2/2008 | Jara-Almonte et al. | 241/46.014 |
| D588,862 | S | 3/2009 | Saeed et al. | |
| 7,578,460 | B2 * | 8/2009 | Berger | 241/46.014 |
| 7,654,480 | B2 * | 2/2010 | Baer et al. | 241/36 |
| 7,918,411 | B2 * | 4/2011 | Anderson et al. | 241/46.016 |
| 7,963,469 | B2 * | 6/2011 | Hanson | 241/46.013 |
| 7,971,810 | B2 * | 7/2011 | Hirsch et al. | 241/35 |
| D654,302 | S * | 2/2012 | Shepherd | D7/375 |
| 8,146,843 | B2 * | 4/2012 | Ye et al. | 241/46.013 |
| 8,220,731 | B2 * | 7/2012 | Berger et al. | 241/46.013 |
| 2002/0104909 | A1 * | 8/2002 | Strutz | 241/46.013 |
| 2002/0170990 | A1 * | 11/2002 | Anderson et al. | 241/46.014 |
| 2004/0256506 | A1 * | 12/2004 | Berger | 241/46.013 |

OTHER PUBLICATIONS

Photos of insinkerator Badger—555, on sale in the United States earlier than Dec. 1, 2010.
 Photos of insinkerator Badger—777, on sale in the United States earlier than Dec. 1, 2010.
 Photos of insinkerator Badger 5 Plus, on sale in the United States earlier than Dec. 1, 2010.
 Photos of insinkerator Contractor 333, on sale in the United States earlier than Dec. 1, 2010.
 Photos of Evergrind E303, on sale in the United States earlier than Dec. 1, 2010.
 Photos of Evergrind E404, on sale in the United States earlier than Dec. 1, 2010.
 Insinkerator—“The Practical Idea That Built A Powerful Brand”, Emerson Appliance Solutions—© 2008.
 Photos of insinkerator Foodservice LC-50, on sale in the United States earlier than Dec. 1, 2010.
 ShinMaywa Corporation DH150SW, Dec. 1, 2003.
 White Westinghouse International Series Heavy-Duty Food Waste Disposer, Dec. 2006.
 GFC1000Y Spec Sheet, Jul. 1997.
 GFC700Y Spec Sheet, Jul. 1997.
 GFC705Y Spec Sheet, Jul. 1997.
 GFC300Y Product Brochure, Jun. 2000.
 GFC800Y Spec Sheet, Jul. 1997.
 GFC290Y Spec Sheet, Jul. 1997.
 GFC295Y Product Brochure, Jun. 2000.
 GFB1050V Spec Sheet, Mar. 1996.

* cited by examiner

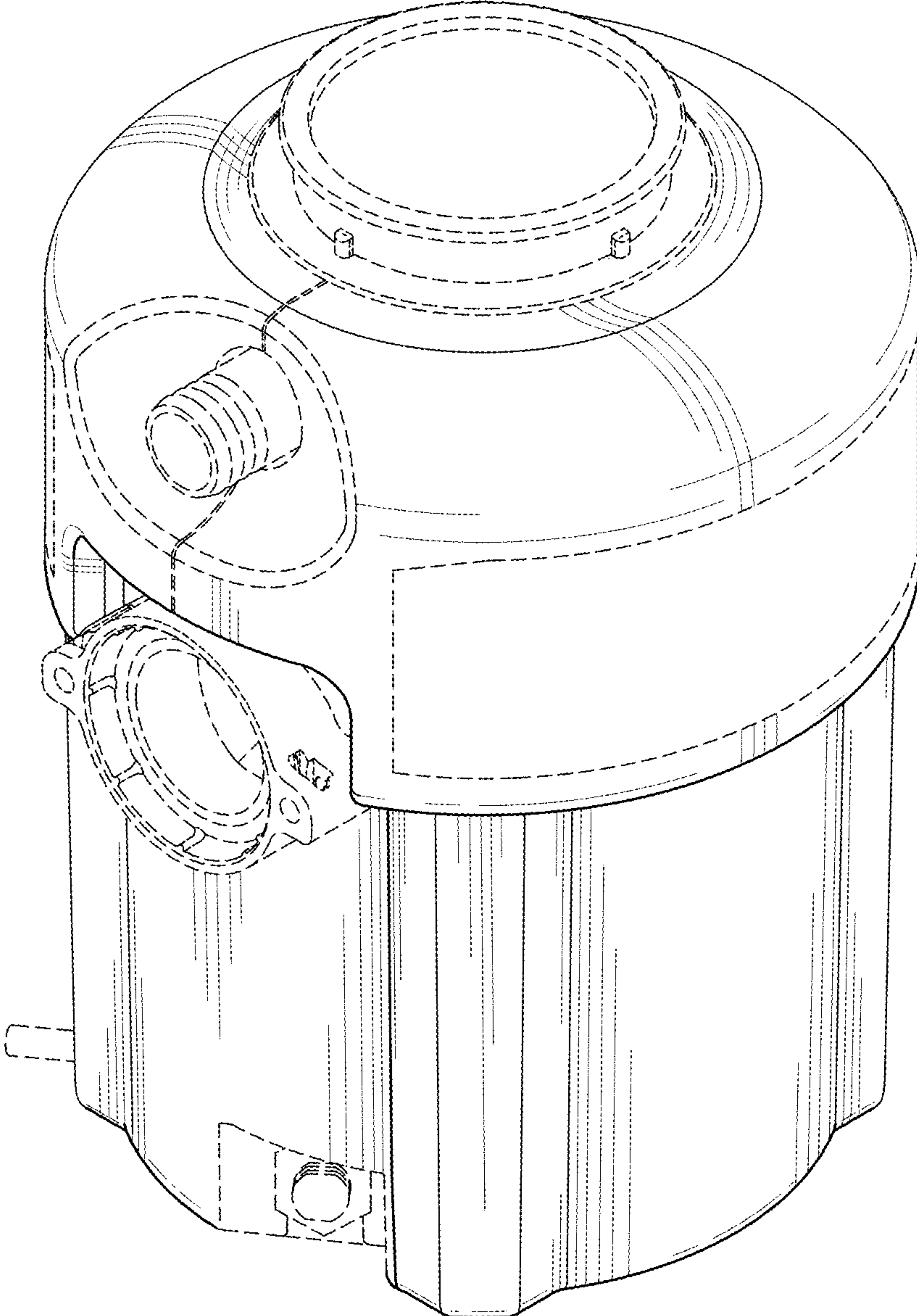


Fig-1

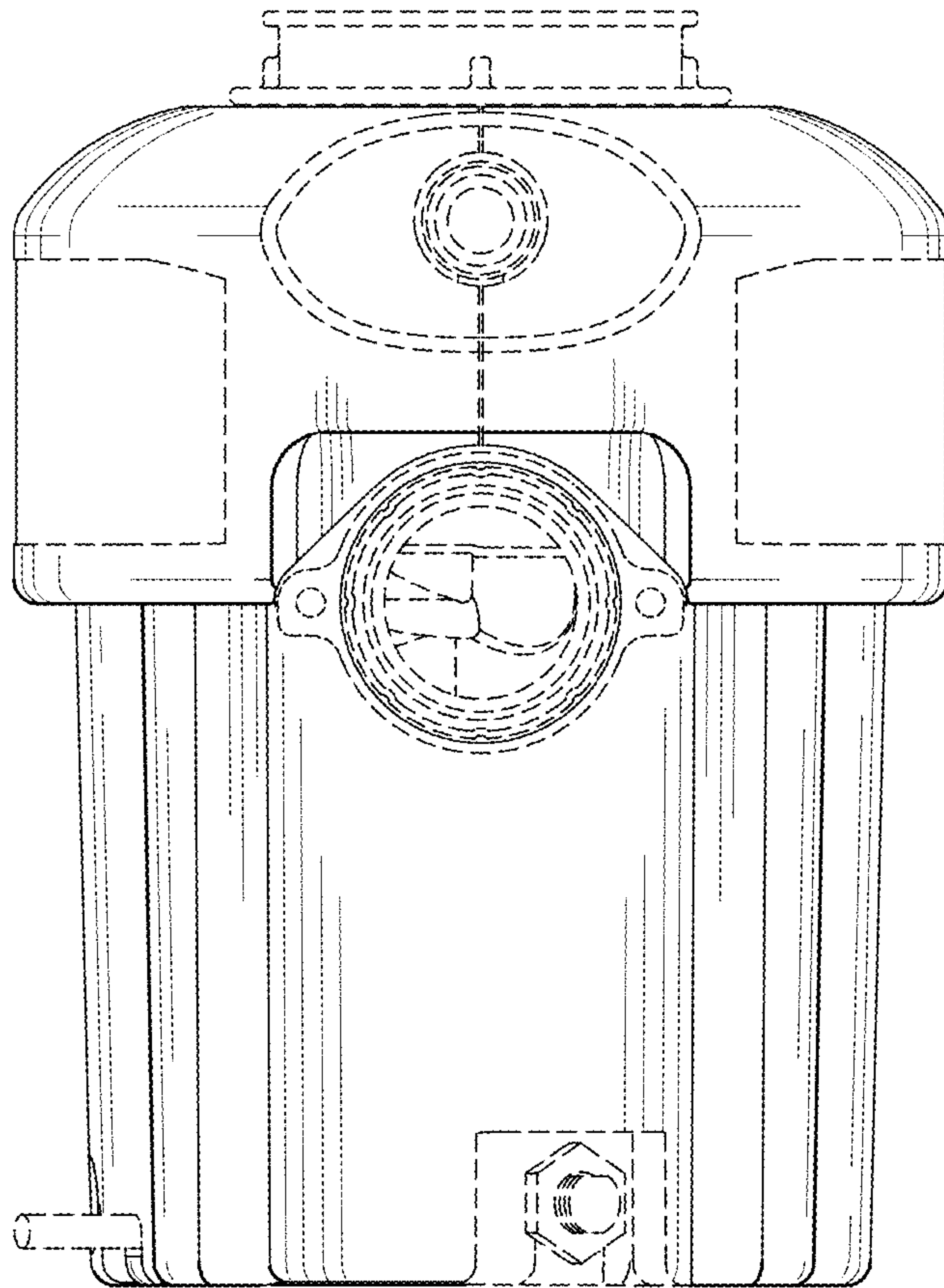


Fig-2

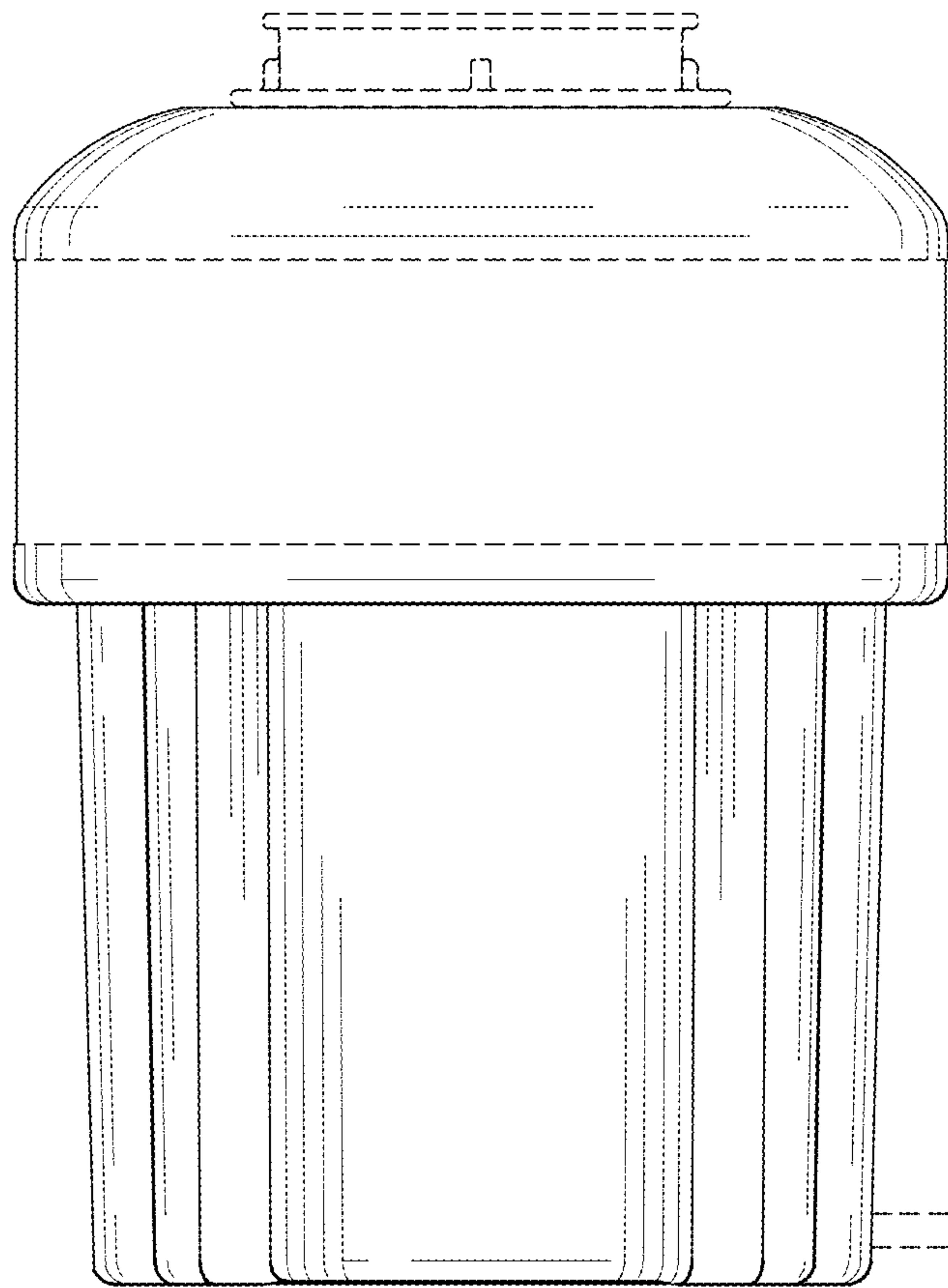


Fig-3

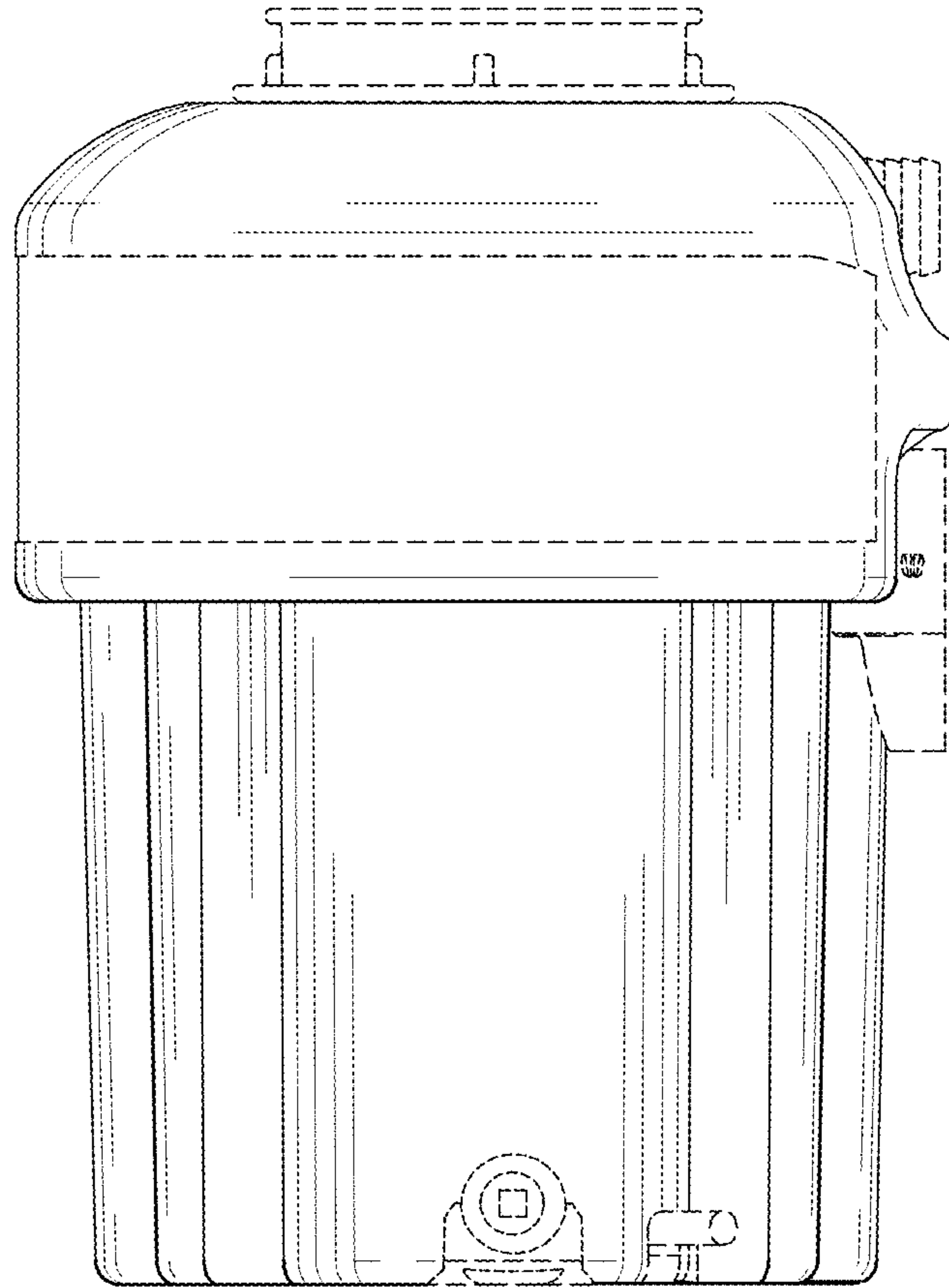


Fig-4

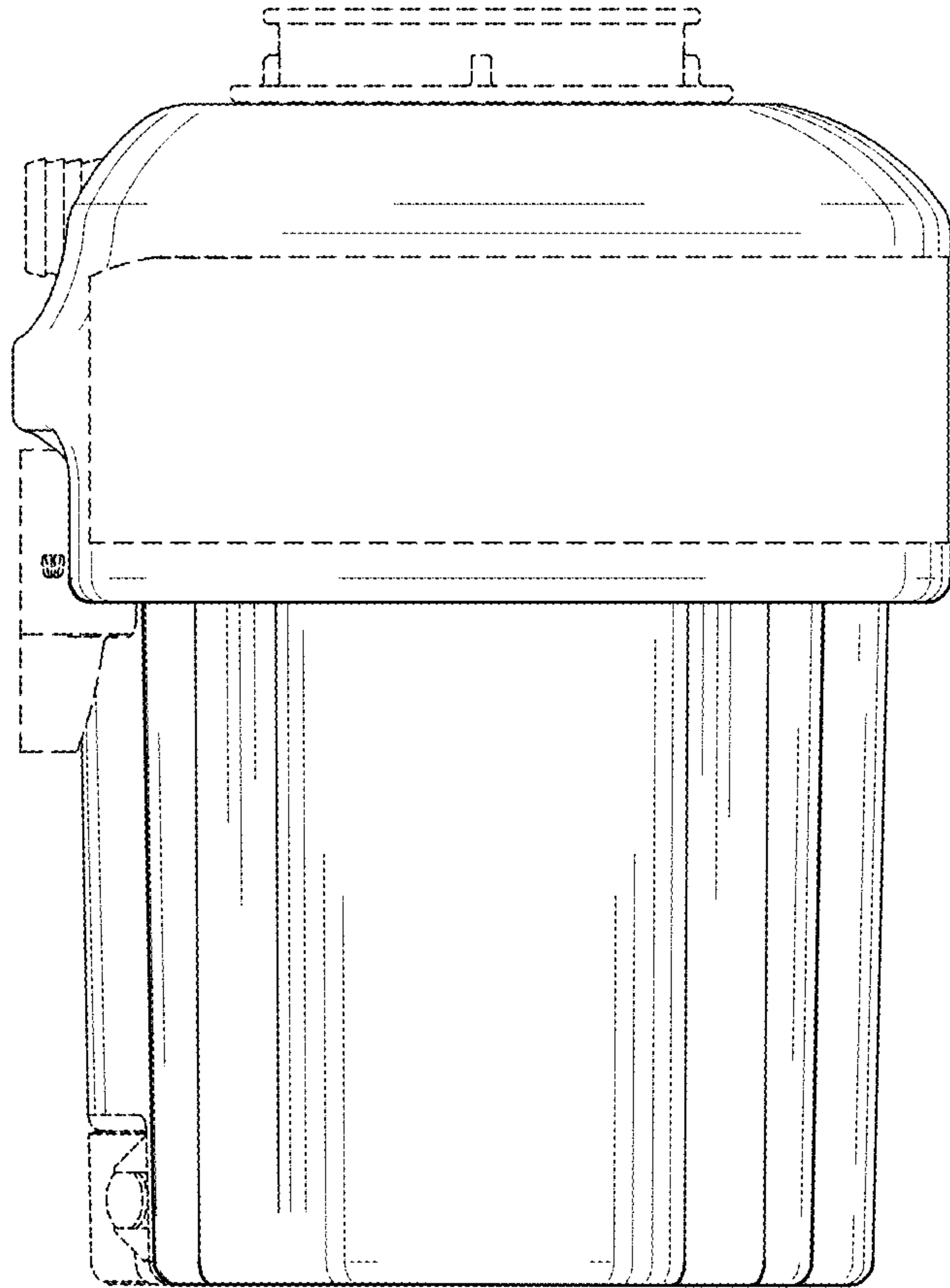


Fig-5

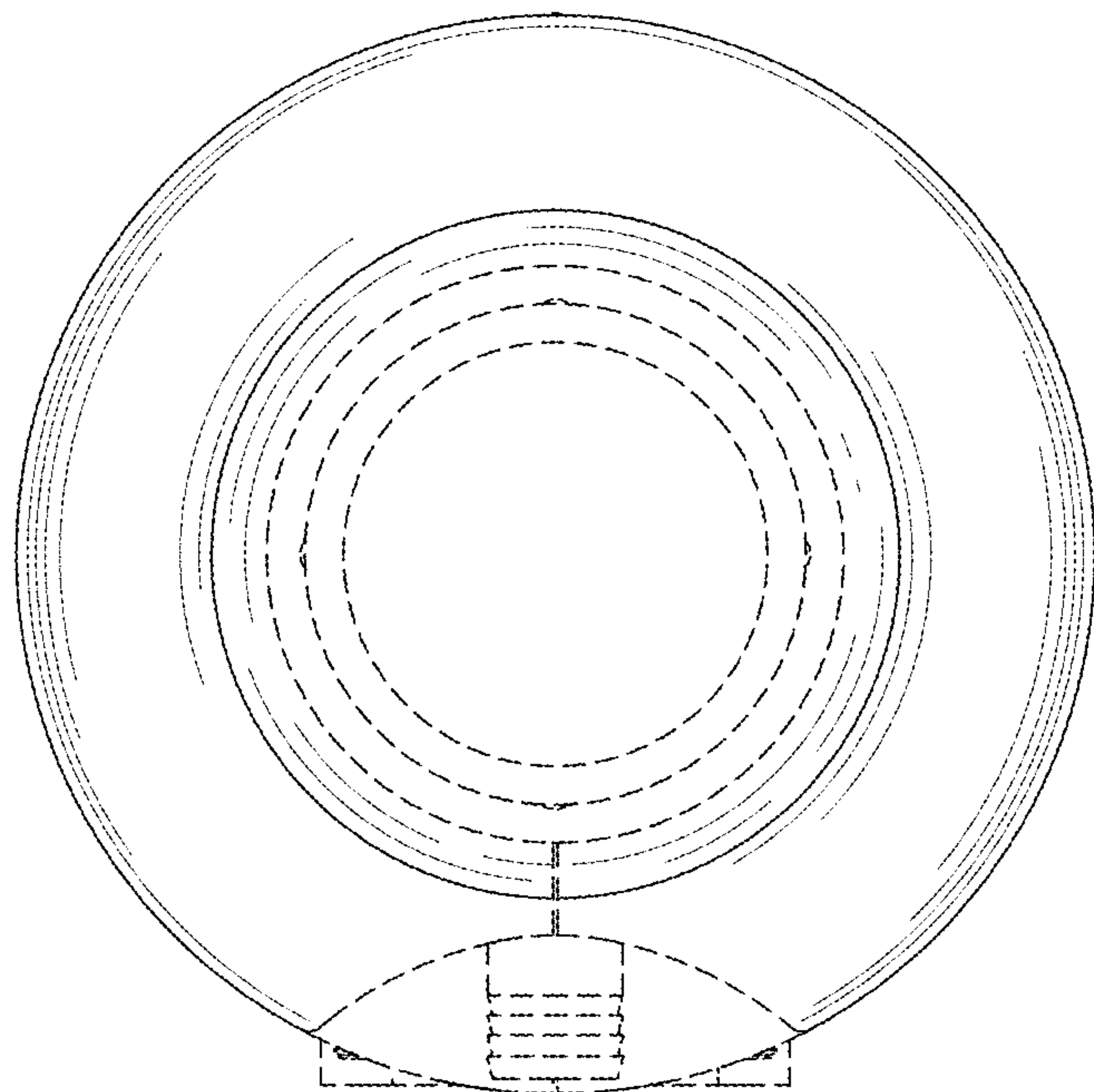


Fig-6

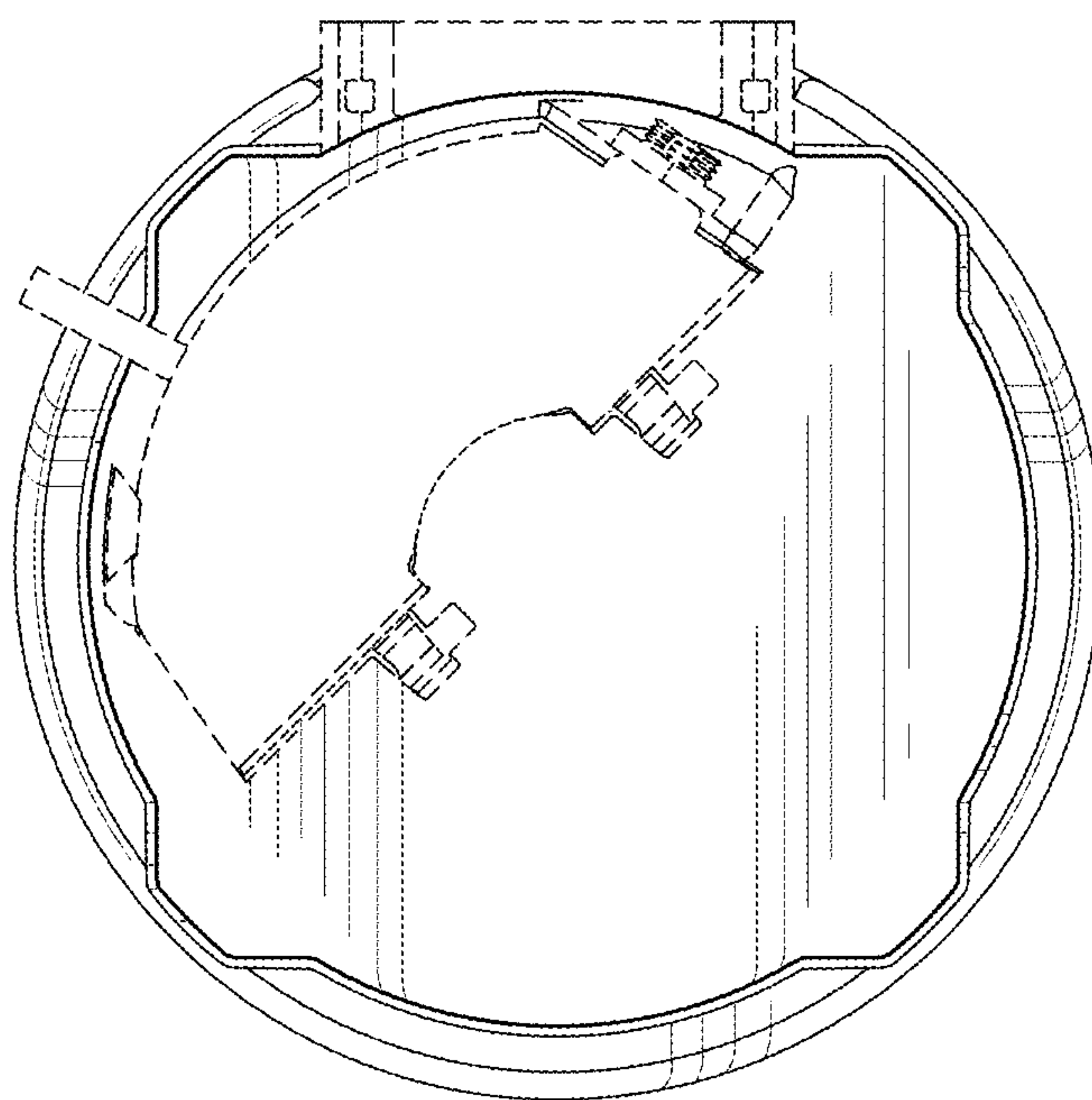


Fig-7