



US00D684001S

(12) **United States Design Patent**  
**Bergeron**

(10) **Patent No.:** **US D684,001 S**

(45) **Date of Patent:** **\*\* Jun. 11, 2013**

(54) **PANINI PRESS FOR A BBQ**

(71) Applicant: **Gaétan Bergeron**, Lachine (CA)

(72) Inventor: **Gaétan Bergeron**, Lachine (CA)

(\*\*) Term: **14 Years**

(21) Appl. No.: **29/433,232**

(22) Filed: **Sep. 27, 2012**

(51) **LOC (9) Cl.** ..... **07-02**

(52) **U.S. Cl.**  
USPC ..... **D7/352**; D7/362; D7/363

(58) **Field of Classification Search**  
USPC ..... D7/323, 329–331, 337, 339, 346–347,  
D7/350.1–350.4, 352–367, 391, 393, 395,  
D7/402, 409–410, 538–542, 628, 672–674;  
99/324–325, 331–332, 337–349, 358, 369–377,  
99/380, 389, 400–418, 422, 425, 444–446,  
99/483; 126/37 R, 261, 378.1; 206/6.1,  
501–505, 507–508; 219/386, 400, 405,  
429–442, 450.1, 452.13, 620–624, 725,  
730–735; 220/23.8, 315, 573.1–573.5, 832,  
220/912; 249/119; 426/438, 441, 549  
See application file for complete search history.

(56) **References Cited**

**U.S. PATENT DOCUMENTS**

D507,929 S *	8/2005	Steinberg et al.	.....	D7/352
D532,646 S *	11/2006	Moore	.....	D7/352
D539,074 S *	3/2007	Lubowicki	.....	D7/352
D541,581 S *	5/2007	Moore	.....	D7/352
D546,619 S *	7/2007	McHutchison	.....	D7/352
D568,090 S *	5/2008	Lam	.....	D7/352
D622,538 S *	8/2010	Hoare et al.	.....	D7/352
7,963,215 B2 *	6/2011	Ho et al.	.....	99/377
D644,477 S *	9/2011	Burton et al.	.....	D7/362
D671,791 S *	12/2012	Cesaroni et al.	.....	D7/352

\* cited by examiner

*Primary Examiner* — Ricky Pham

(74) *Attorney, Agent, or Firm* — Agence de Brevets Fournier

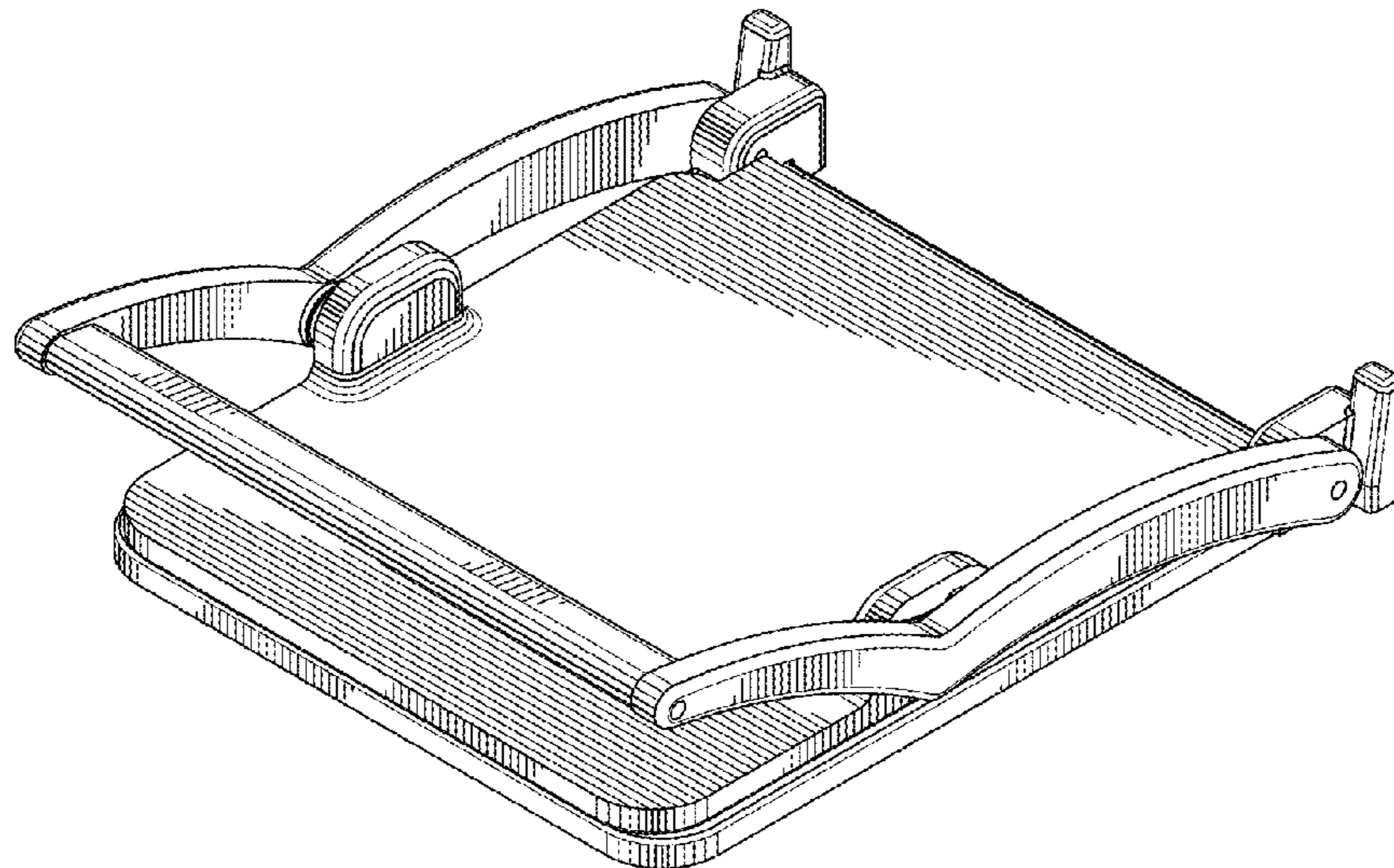
(57) **CLAIM**

The ornamental design for a panini press for a BBQ, as shown and described.

**DESCRIPTION**

FIG. 1 is a perspective view of the panini press according to the present design;  
 FIG. 2 is a left side elevational view of the panini press from FIG. 1;  
 FIG. 3 is a right side elevational view of the panini press from FIG. 1;  
 FIG. 4 is a top plan view of the panini press from FIG. 1;  
 FIG. 5 is a front elevational view of the panini press from FIG. 1;  
 FIG. 6 is a rear elevational view of the panini press from FIG. 1;  
 FIG. 7 is a bottom plan view of the panini press from FIG. 1;  
 FIG. 8 is a perspective view of the panini press from FIG. 1, showing the press open;  
 FIG. 9 is a perspective view of the panini press according to a first variant of the present design;  
 FIG. 10 is a left side elevational view of the panini press from FIG. 9;  
 FIG. 11 is a right side elevational view of the panini press from FIG. 9;  
 FIG. 12 is a top plan view of the panini press from FIG. 9;  
 FIG. 13 is a front elevational view of the panini press from FIG. 9;  
 FIG. 14 is a rear elevational view of the panini press from FIG. 9; and,  
 FIG. 15 is a bottom plan view of the panini press from FIG. 9.

**1 Claim, 7 Drawing Sheets**



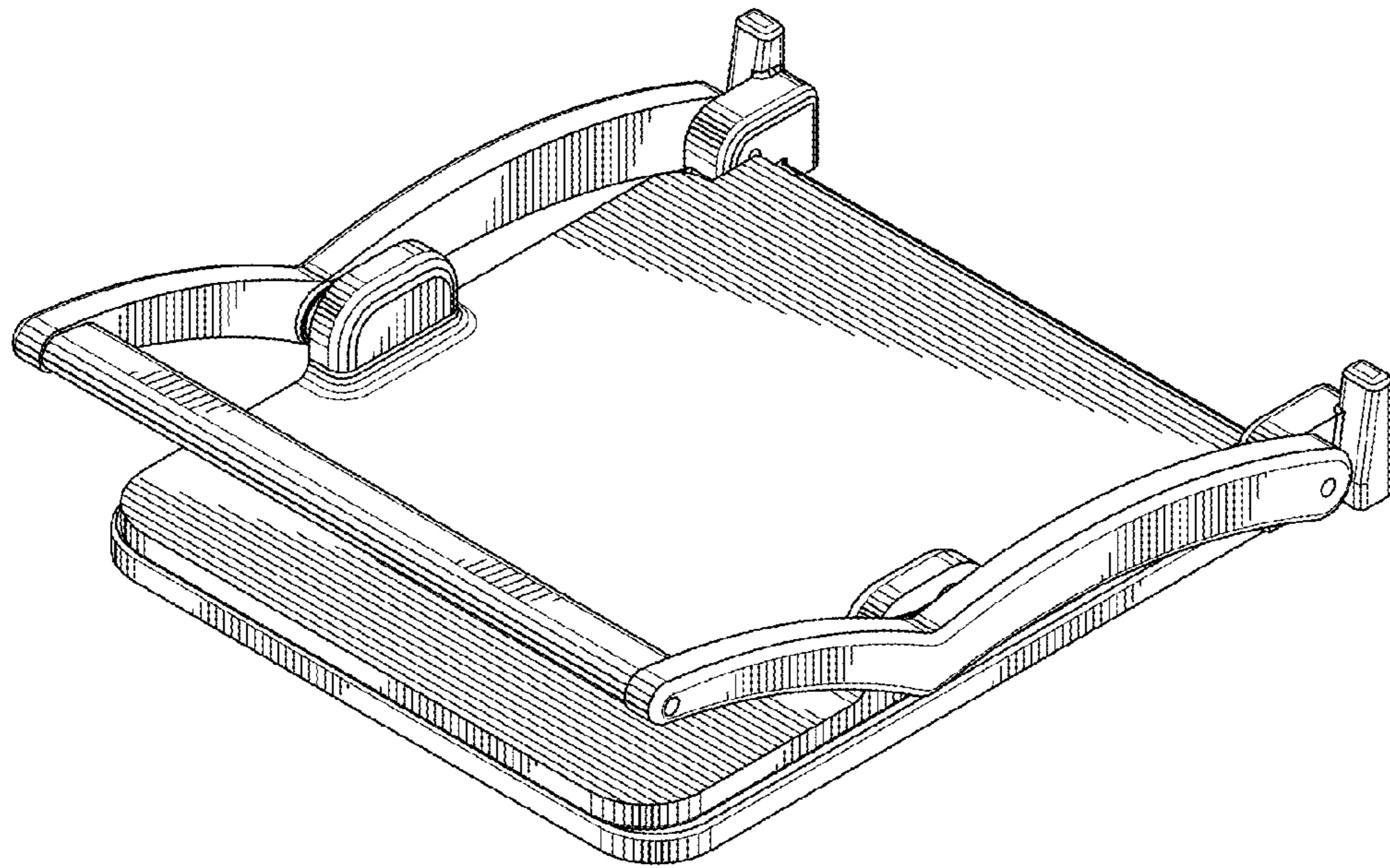


FIG. 1

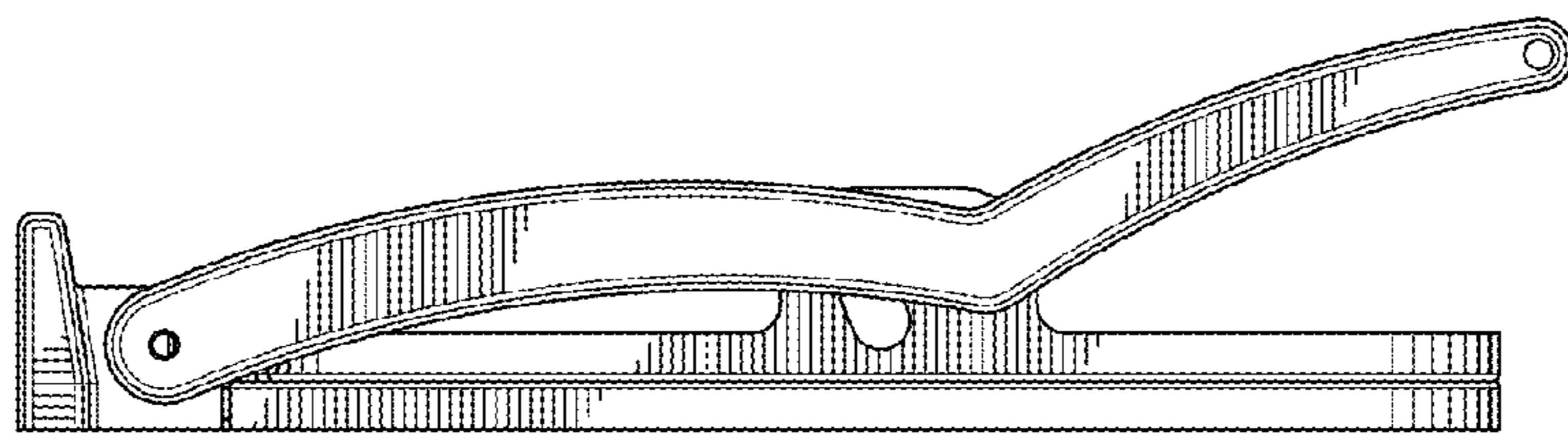


FIG. 2

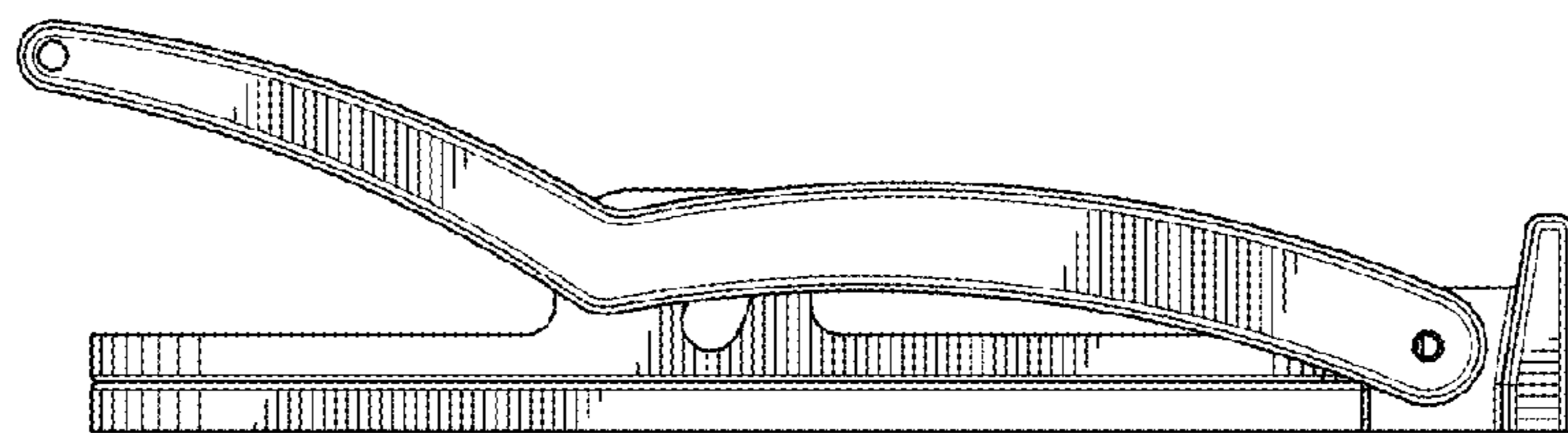


FIG. 3

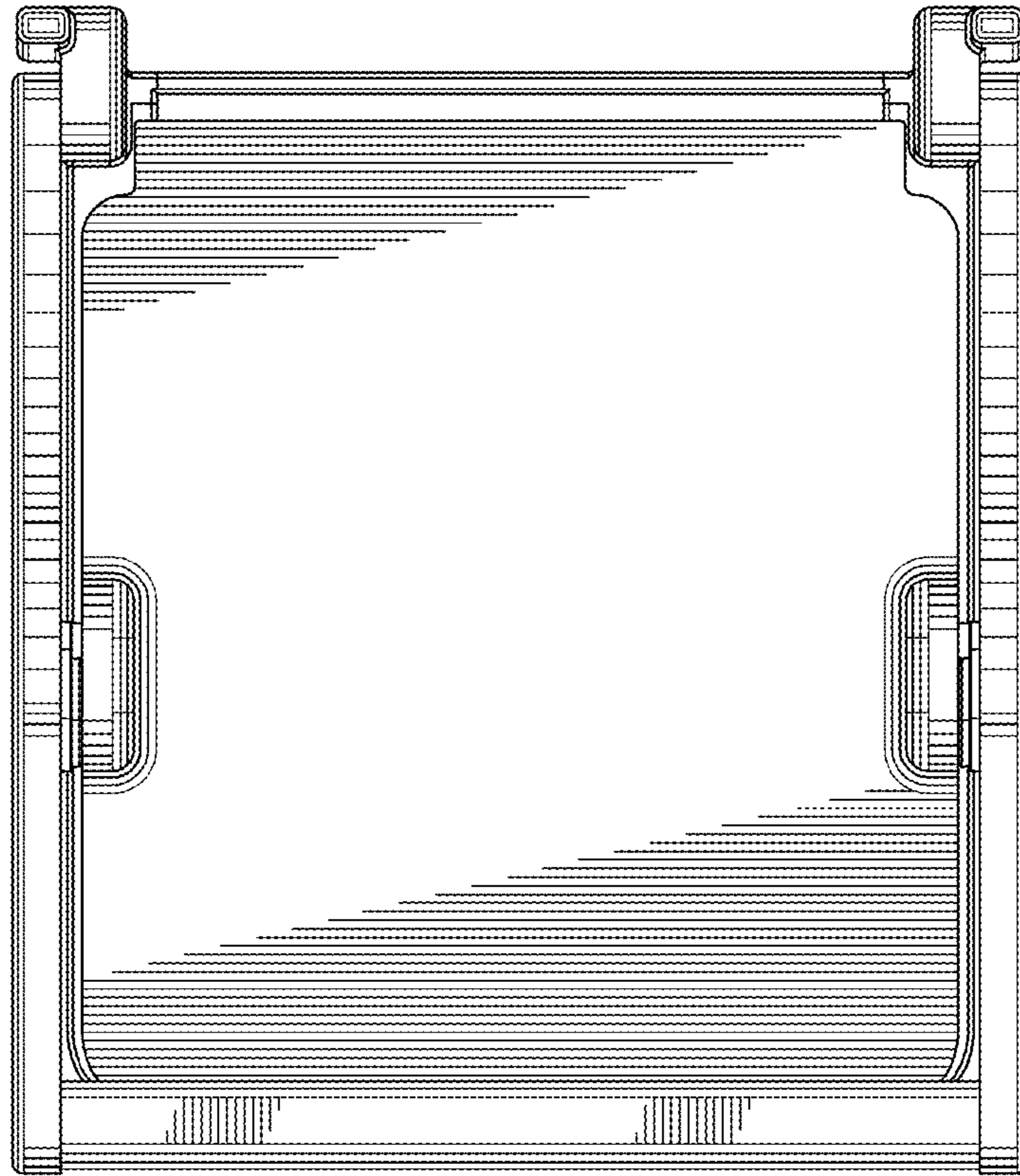


FIG. 4

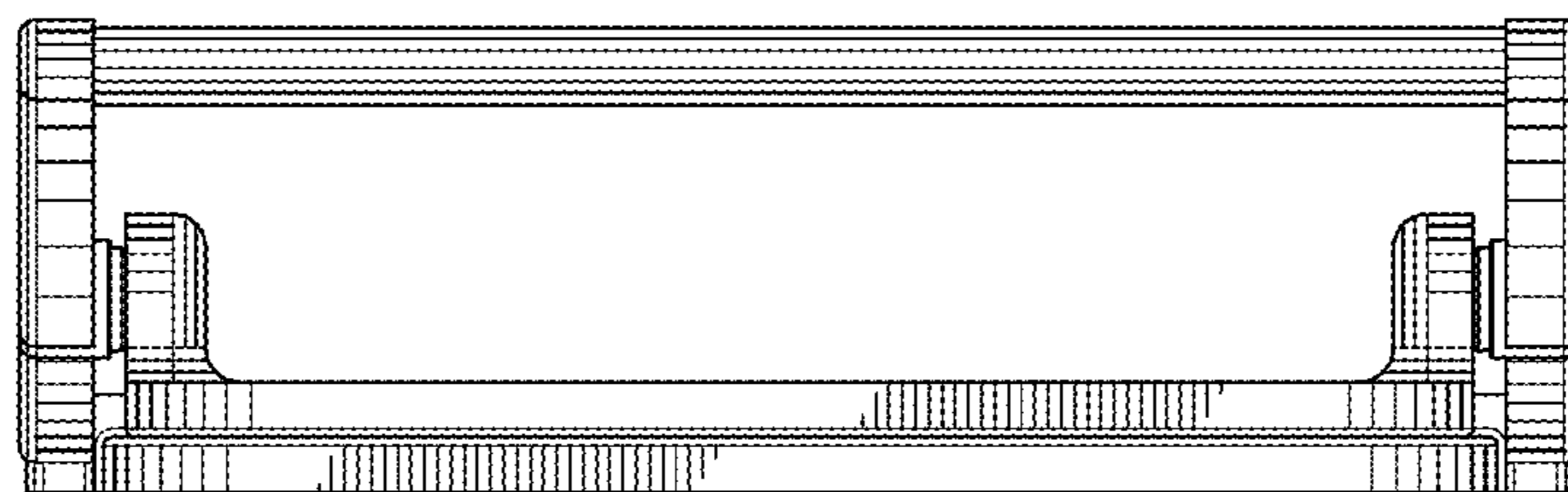


FIG. 5

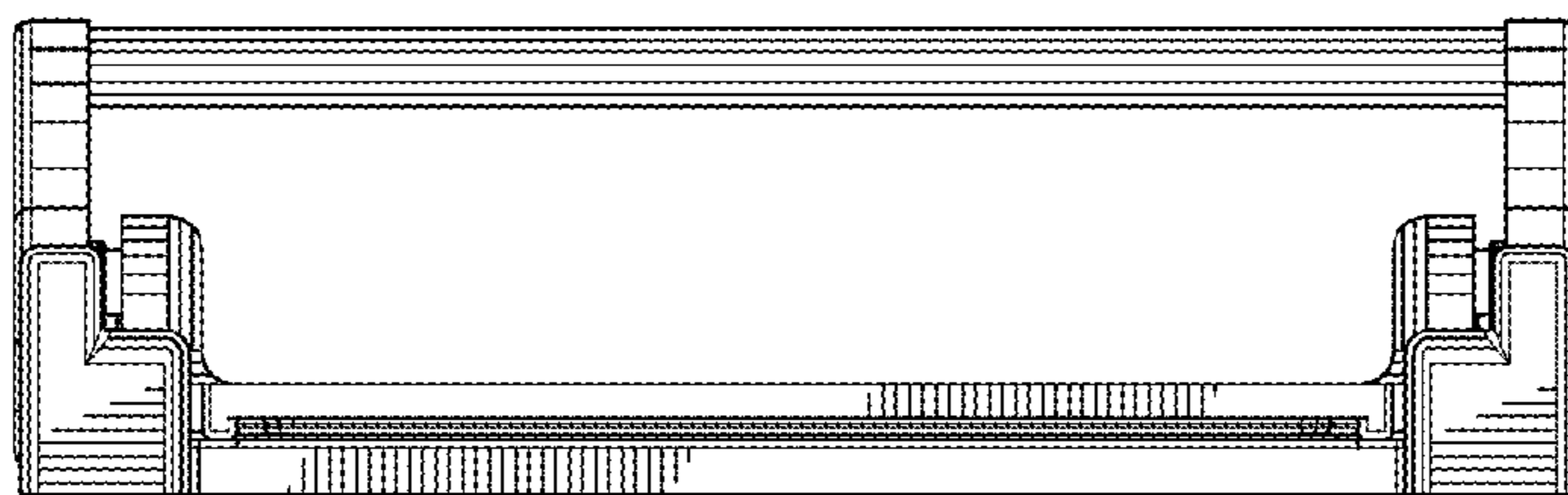


FIG. 6

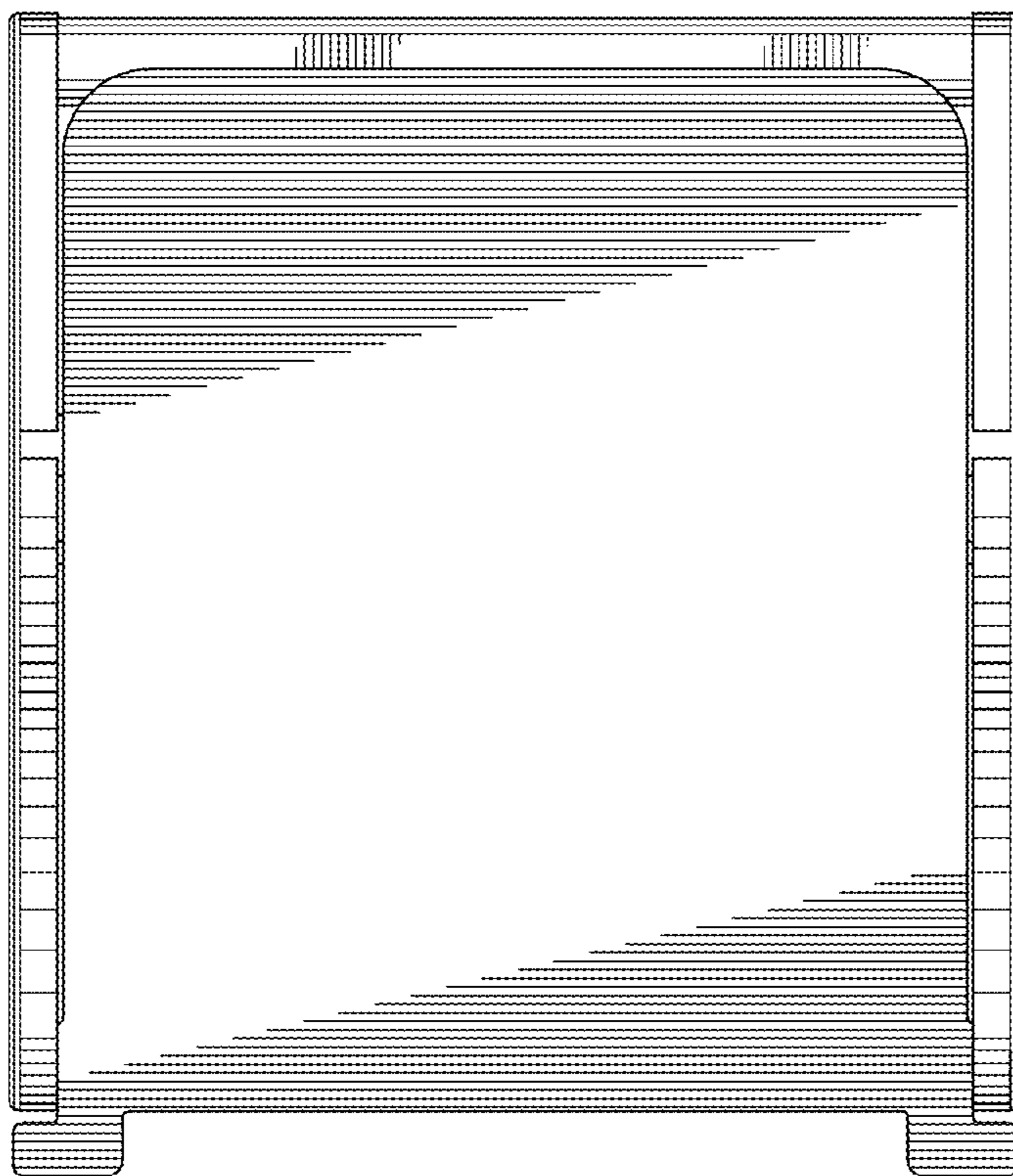
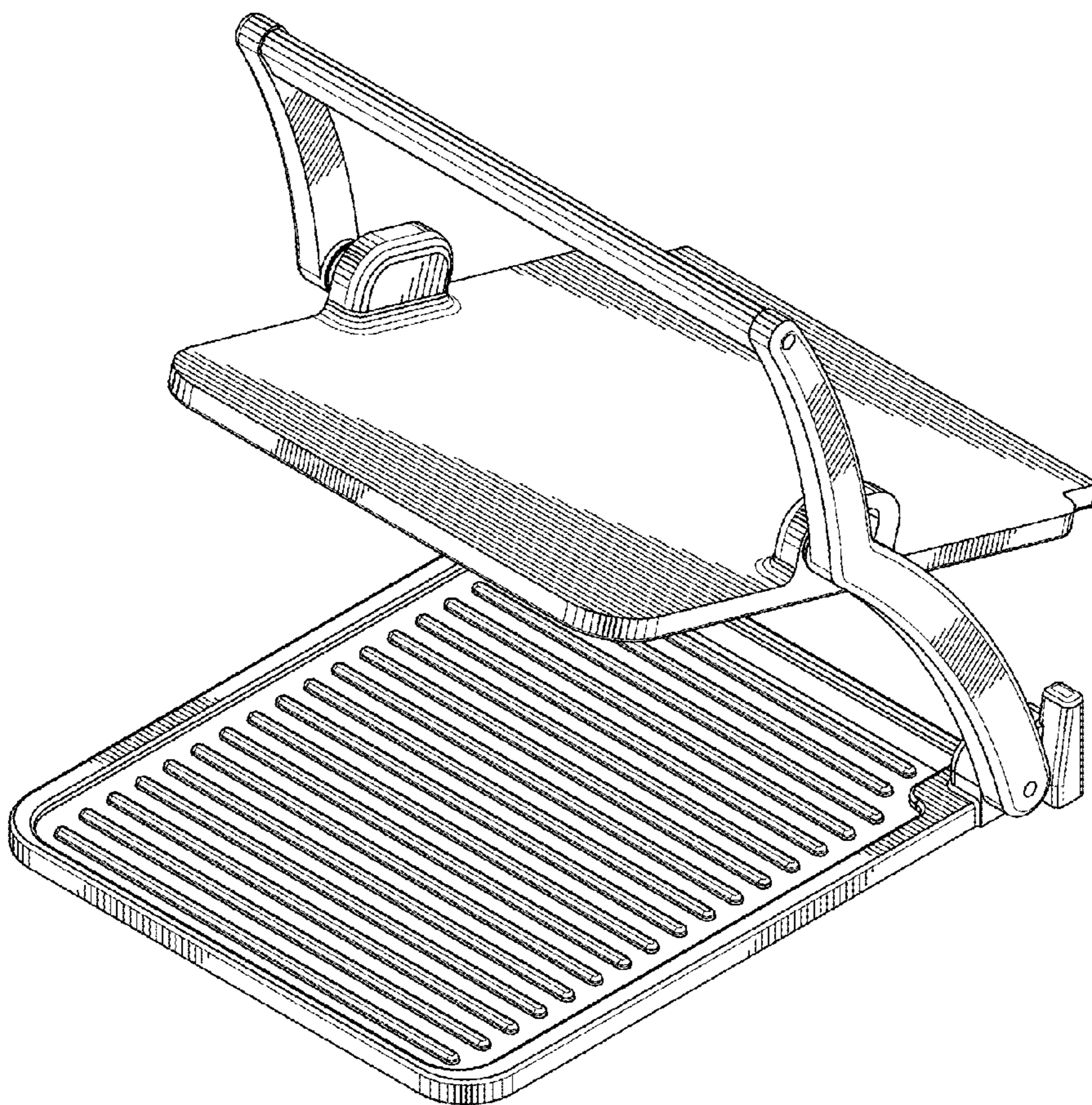


FIG. 7



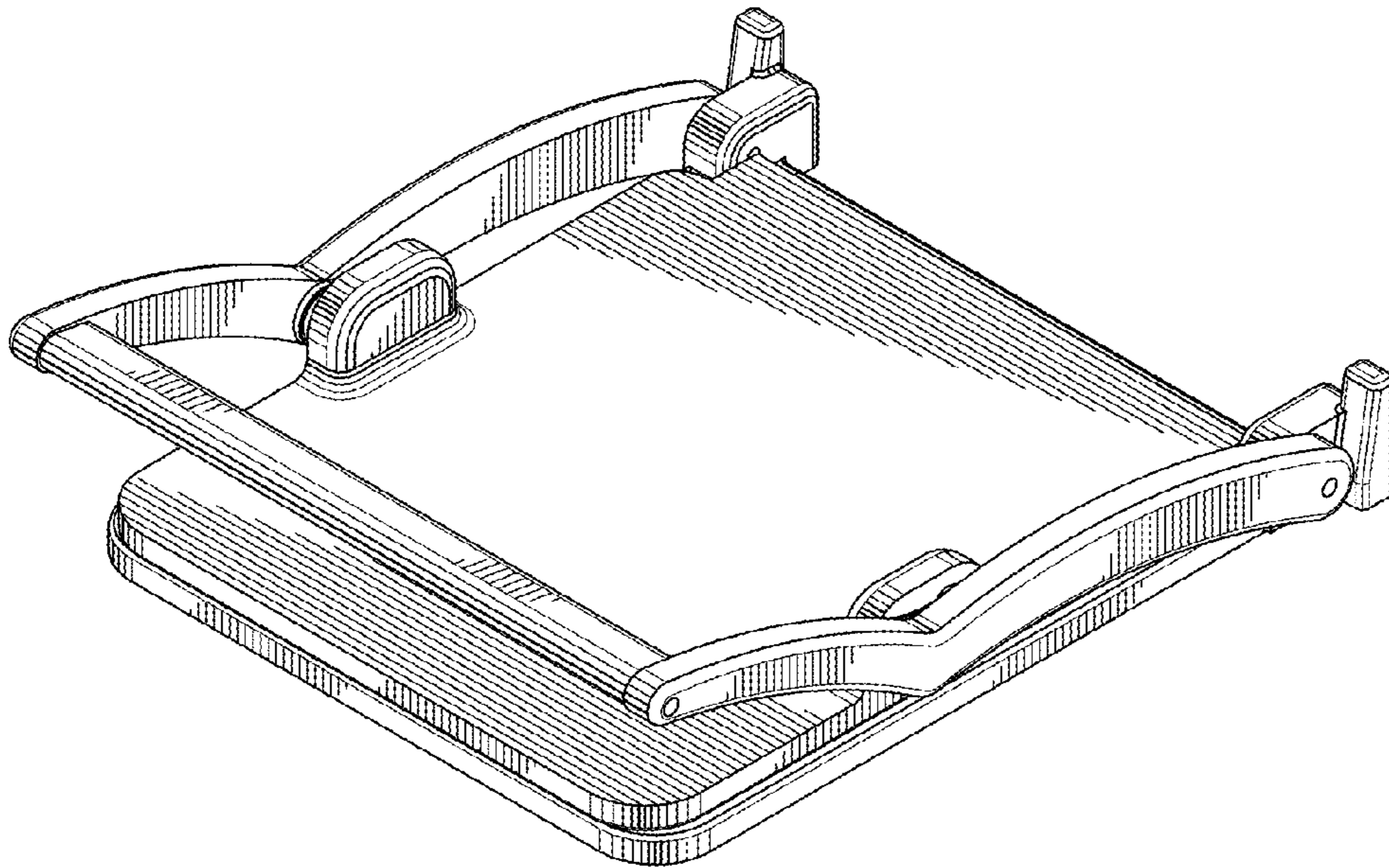


FIG. 9

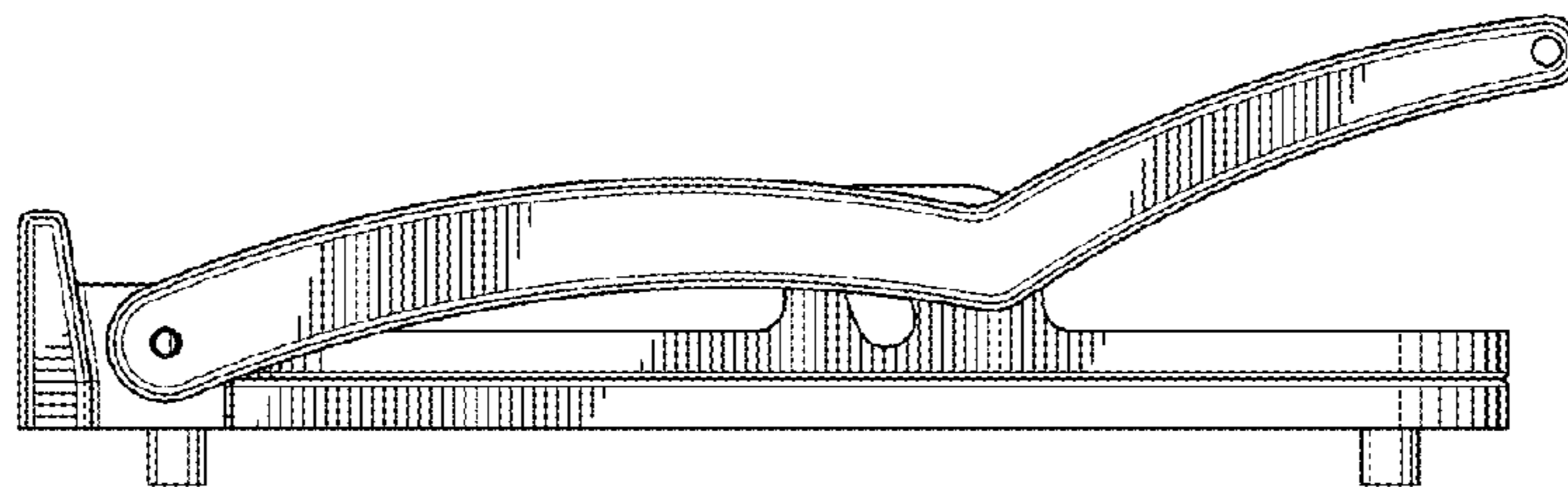


FIG. 10

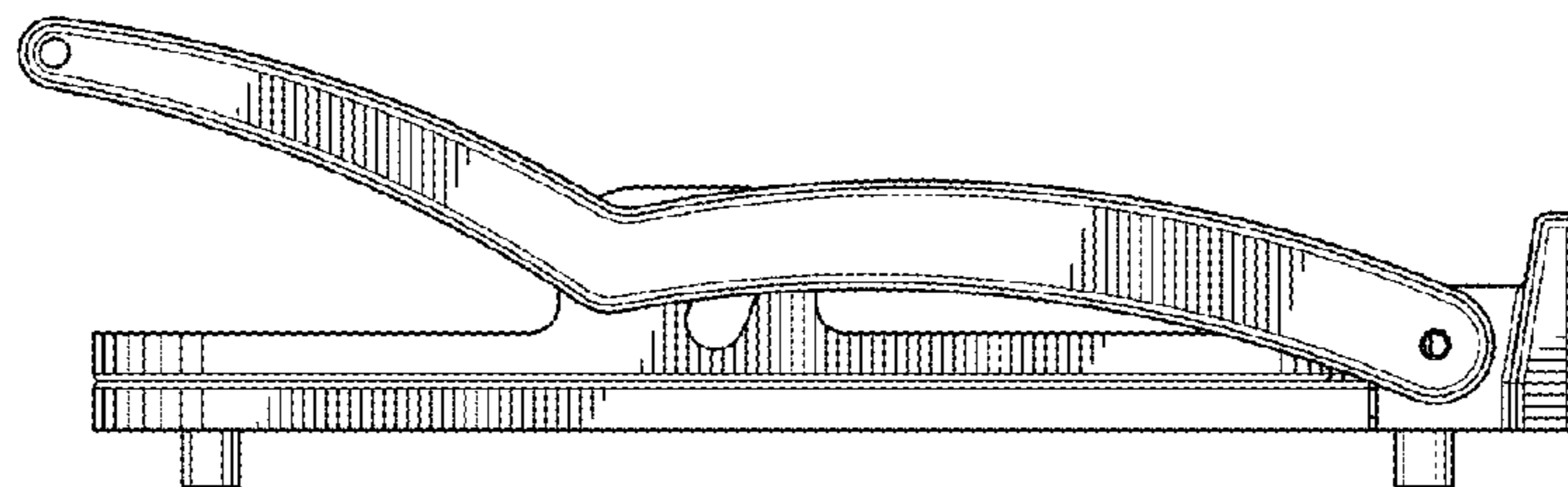


FIG. 11

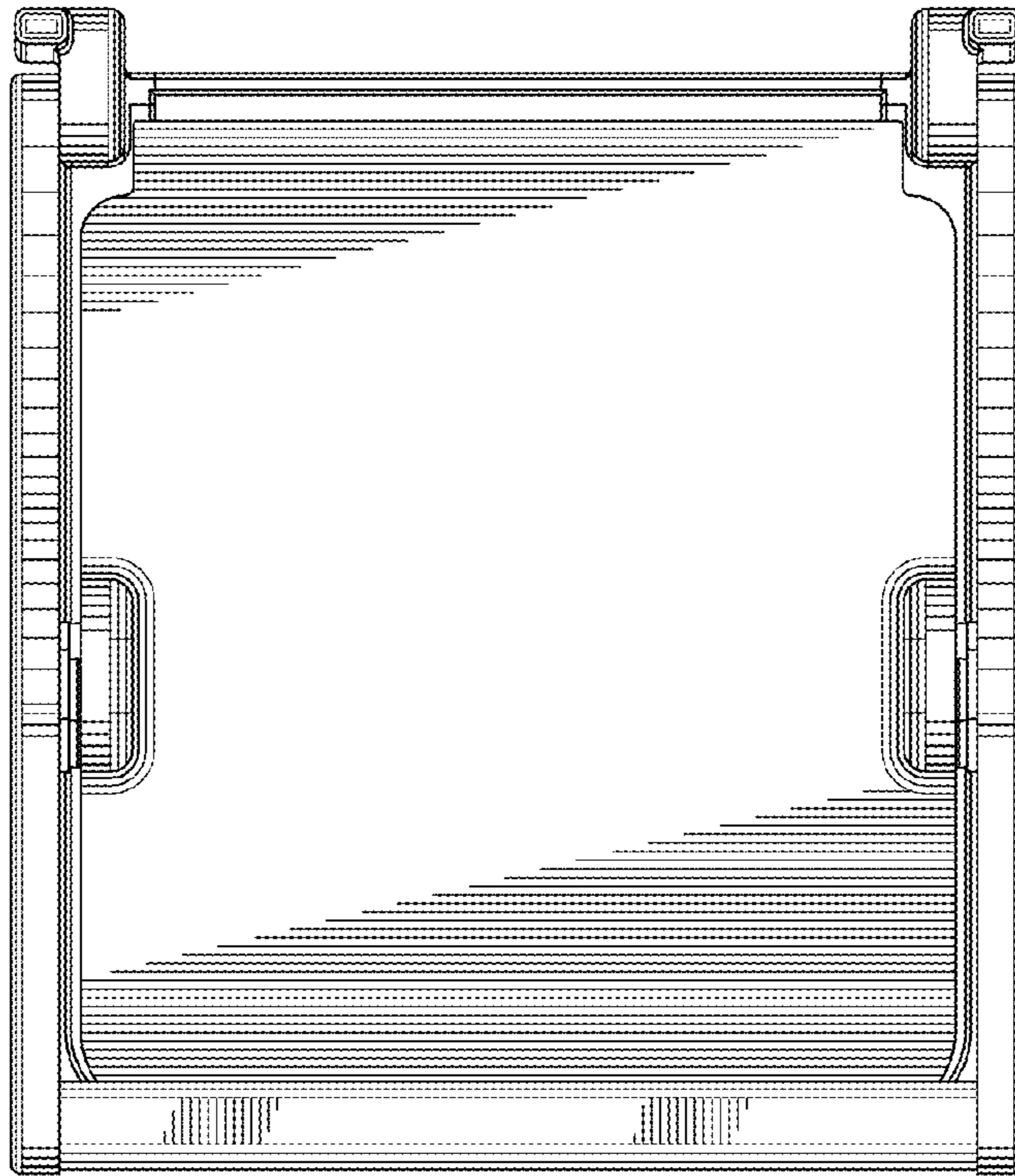


FIG. 12

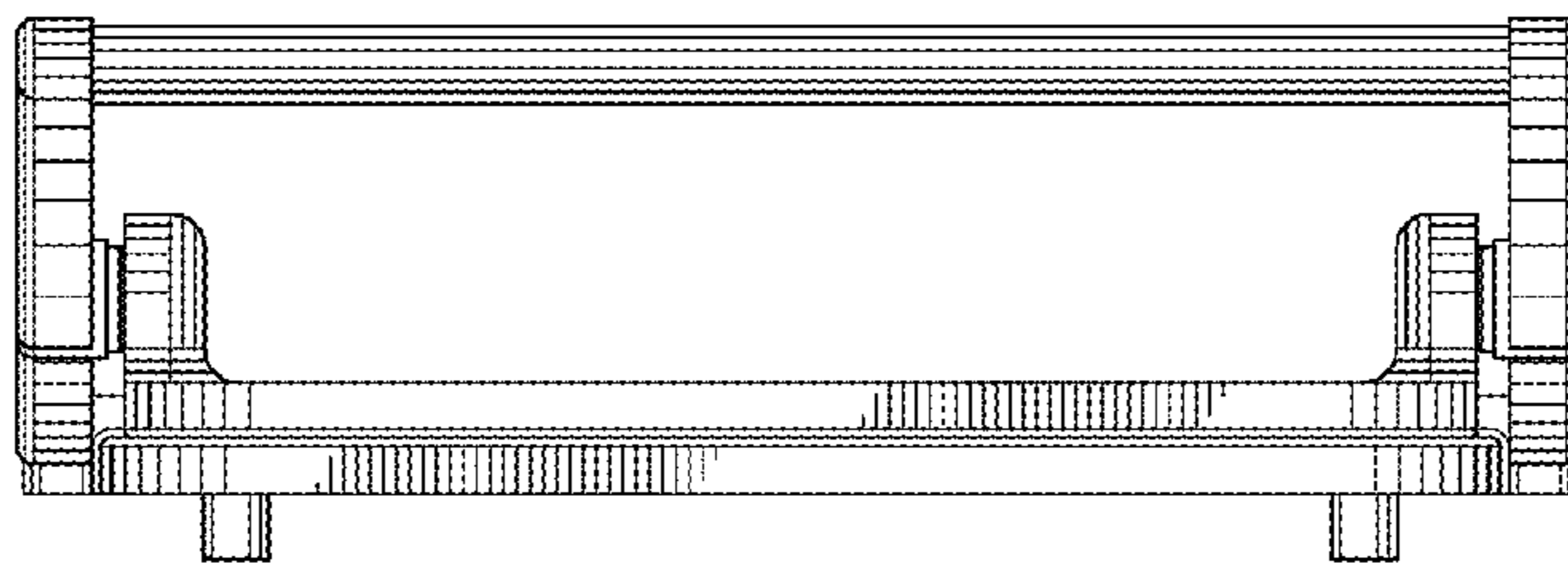


FIG. 13



FIG. 14

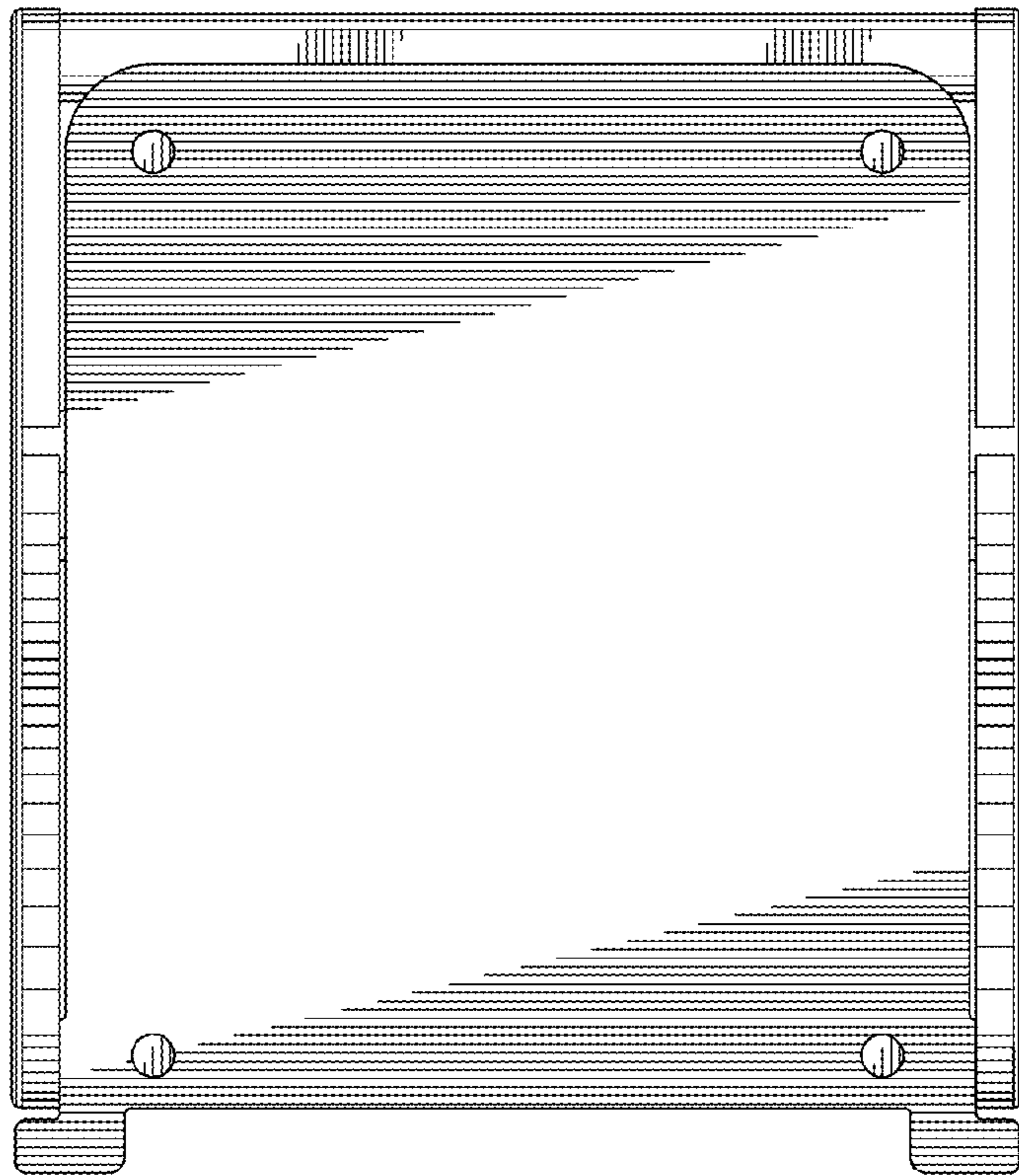


FIG. 15