



US00D684000S

(12) **United States Design Patent**
Kwon

(10) **Patent No.:** **US D684,000 S**
(45) **Date of Patent:** **** Jun. 11, 2013**

(54) **BREAD BAKING MOLD**

(56) **References Cited**

(75) Inventor: **Kitaek Kwon**, Garden Grove, CA (US)

U.S. PATENT DOCUMENTS

(73) Assignee: **Cocohodo USA, Inc.**, Fullerton, CA (US)

1,663,719	A *	3/1928	Morley	426/549
2,078,189	A *	4/1937	Bemis	99/375
2,232,633	A *	2/1941	Richardson	425/293
2,249,667	A *	7/1941	Richardson	425/346
3,121,385	A *	2/1964	Blackburn et al.	99/374
3,719,507	A *	3/1973	Bardeau	99/375
3,727,875	A *	4/1973	Downing	249/121
5,253,565	A *	10/1993	Burton	99/374
5,596,922	A *	1/1997	Chan	99/380
5,613,426	A *	3/1997	Chan Gabbai	99/375
D677,528	S *	3/2013	Kwon	D7/409

(**) Term: **14 Years**

(21) Appl. No.: **29/429,982**

(22) Filed: **Aug. 20, 2012**

(51) **LOC (9) Cl.** **07-02**

* cited by examiner

(52) **U.S. Cl.**

USPC **D7/352**; D7/362; D7/363

Primary Examiner — Ricky Pham

(74) *Attorney, Agent, or Firm* — IPLA P.A.; James E. Bame

(58) **Field of Classification Search**

USPC D7/323, 329–331, 337, 339, 346–347,
D7/350.1–350.4, 352–367, 391, 393, 395,
D7/402, 409–410, 538–542, 628, 672–674;
99/324–325, 331–332, 337–349, 358, 369–376,
99/380, 389, 400–418, 422, 425, 444–446,
99/483; 126/37 R, 261, 378.1; 206/6.1,
501–505, 507–508; 219/386, 400, 405,
429–442, 450.1, 452.13, 620–624, 725,
730–735; 220/23.8, 315, 573.1–573.5, 832,
220/912; 249/119–121; 425/293, 346; 426/438,
426/441, 549

(57) **CLAIM**

The ornamental design for a bread baking mold, as shown and described.

DESCRIPTION

FIG. 1 is a perspective view of my new design;
FIG. 2 is a top plan view thereof;
FIG. 3 is a front elevational view thereof;
FIG. 4 is a rear elevational view thereof;
FIG. 5 is a left side elevational view thereof;
FIG. 6 is a right side elevational view thereof; and,
FIG. 7 is a bottom plan view thereof.

See application file for complete search history.

1 Claim, 5 Drawing Sheets

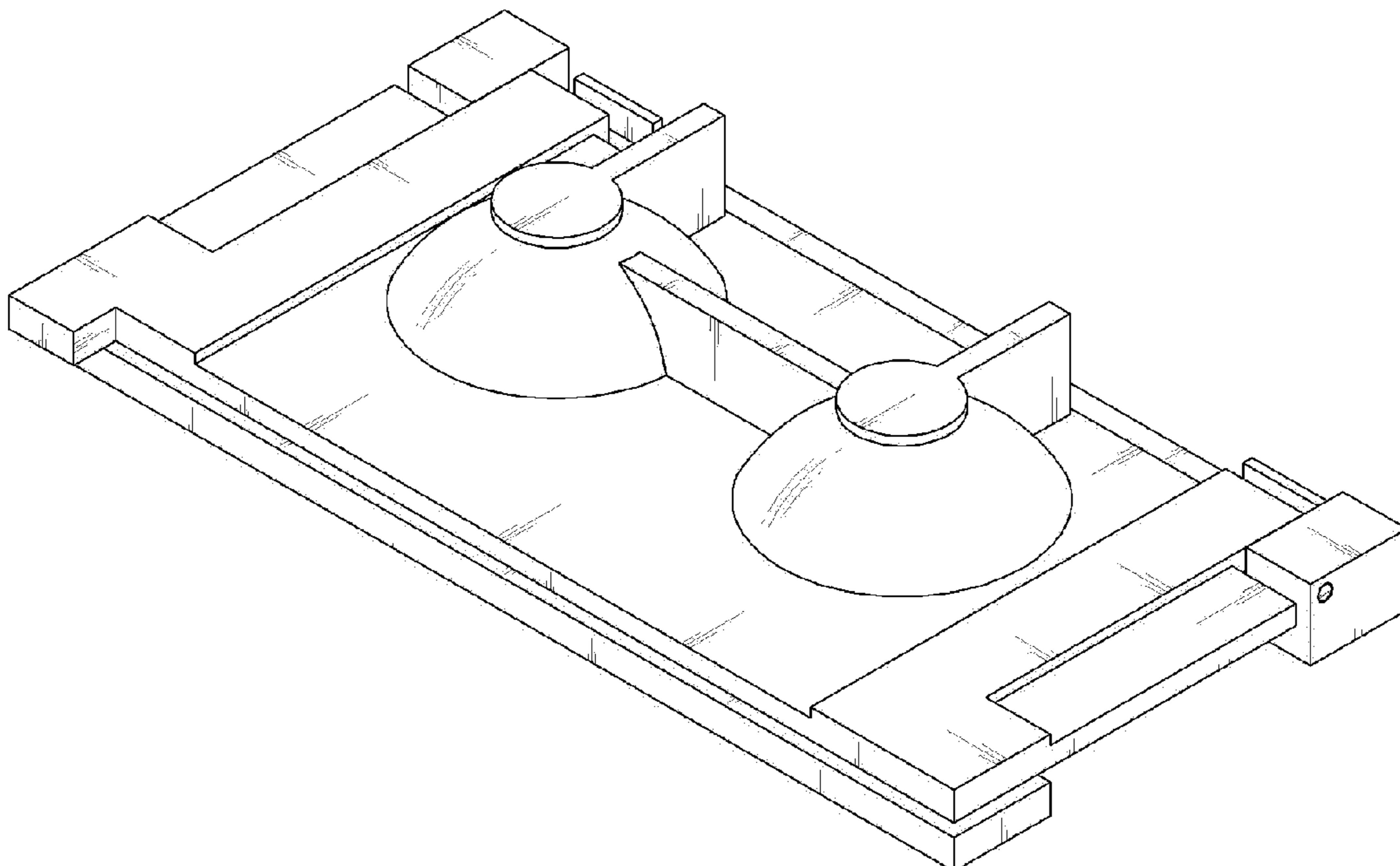


FIG. 1

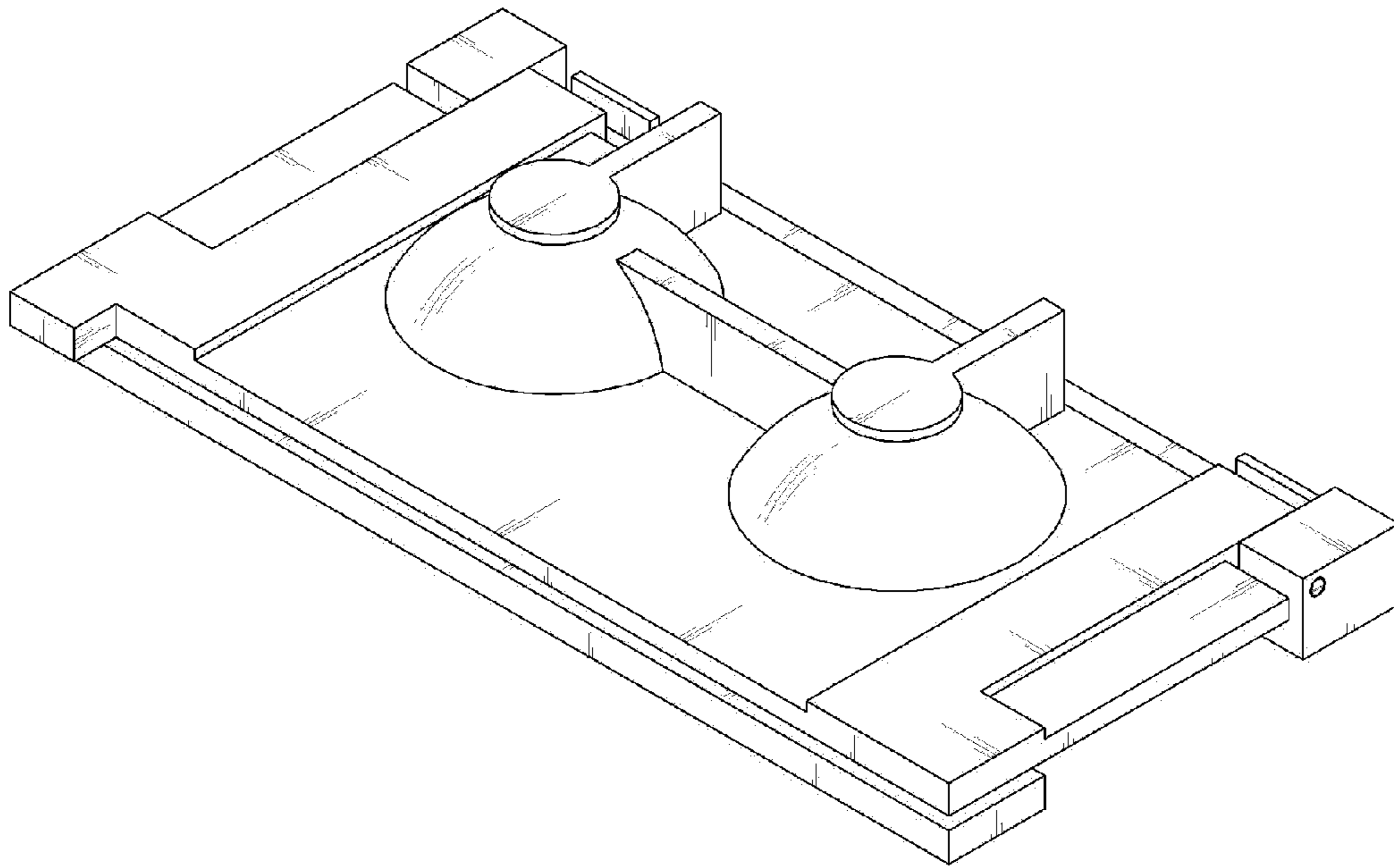


FIG. 2

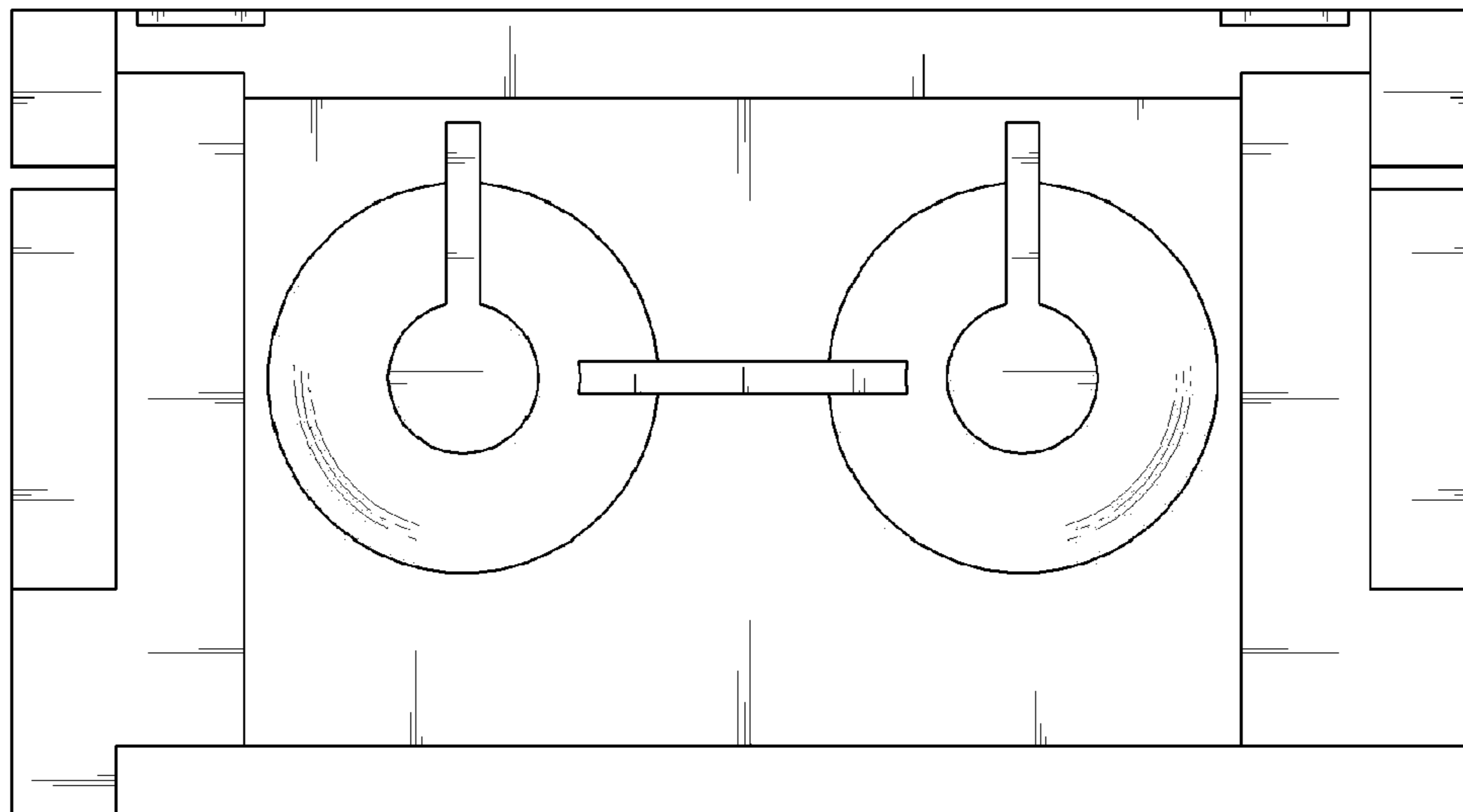


FIG. 3

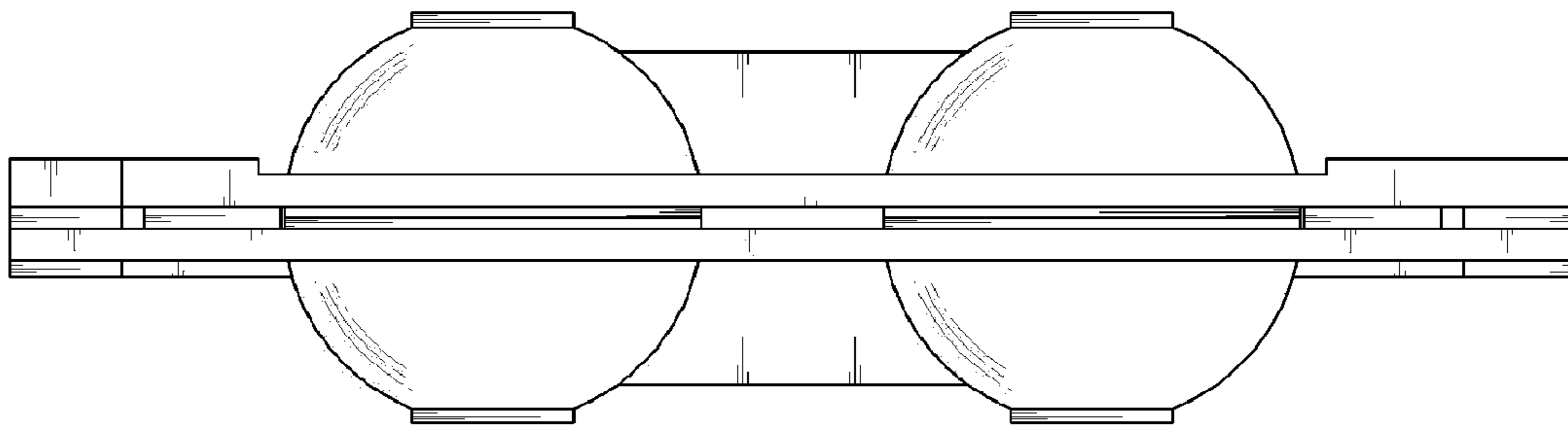


FIG. 4

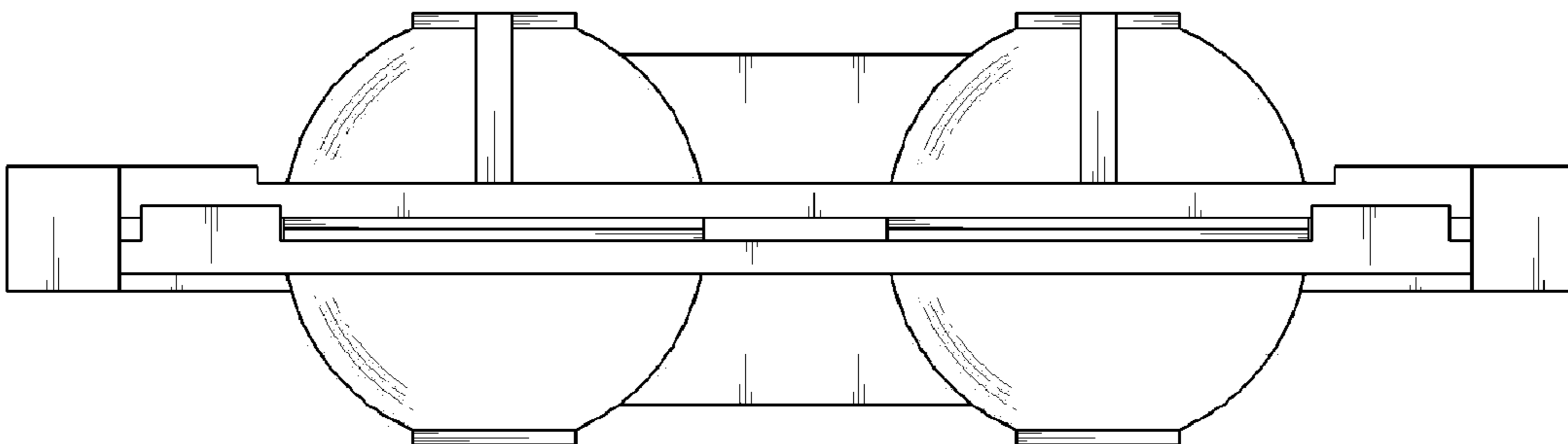


FIG. 5

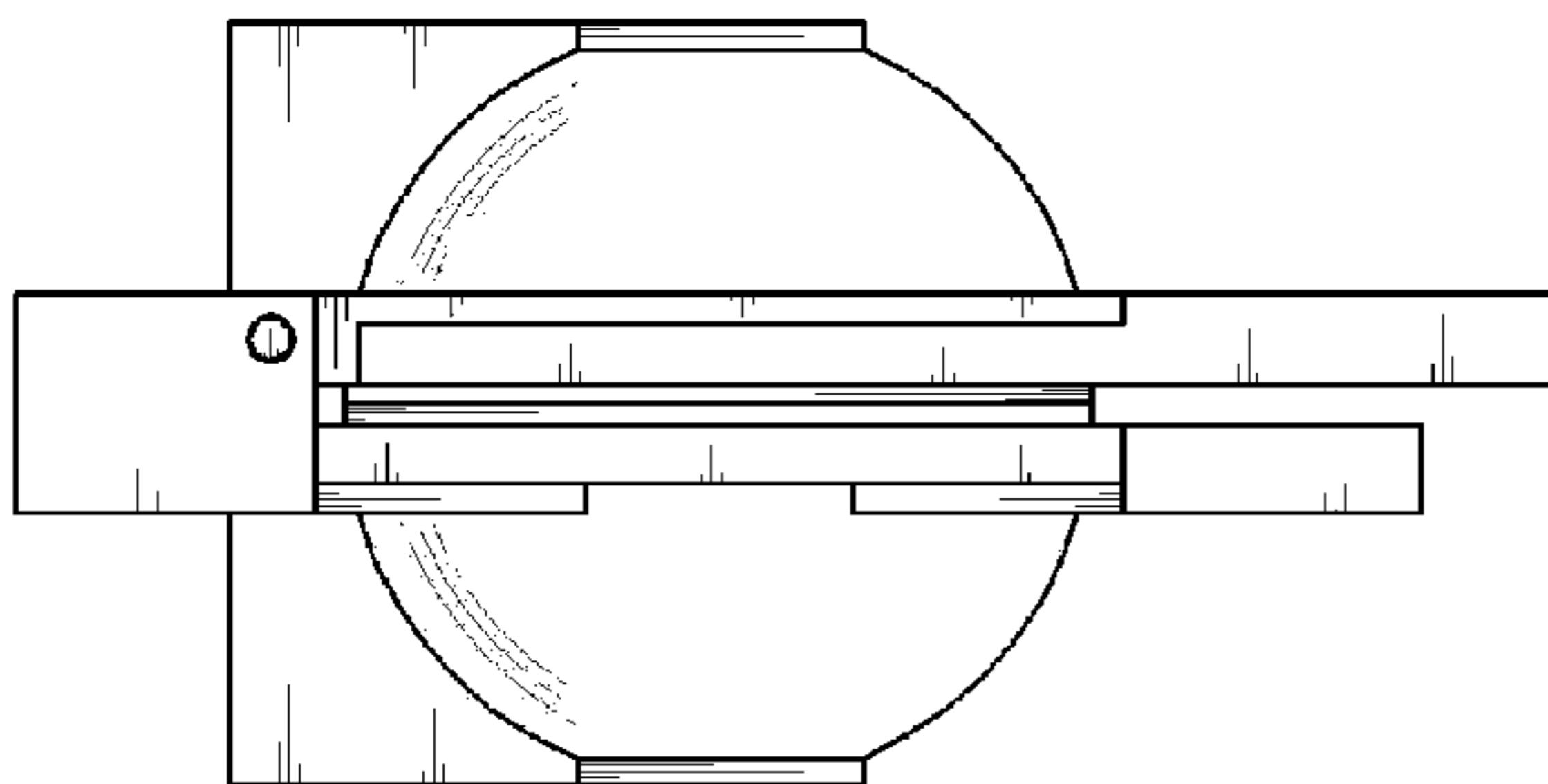


FIG. 6

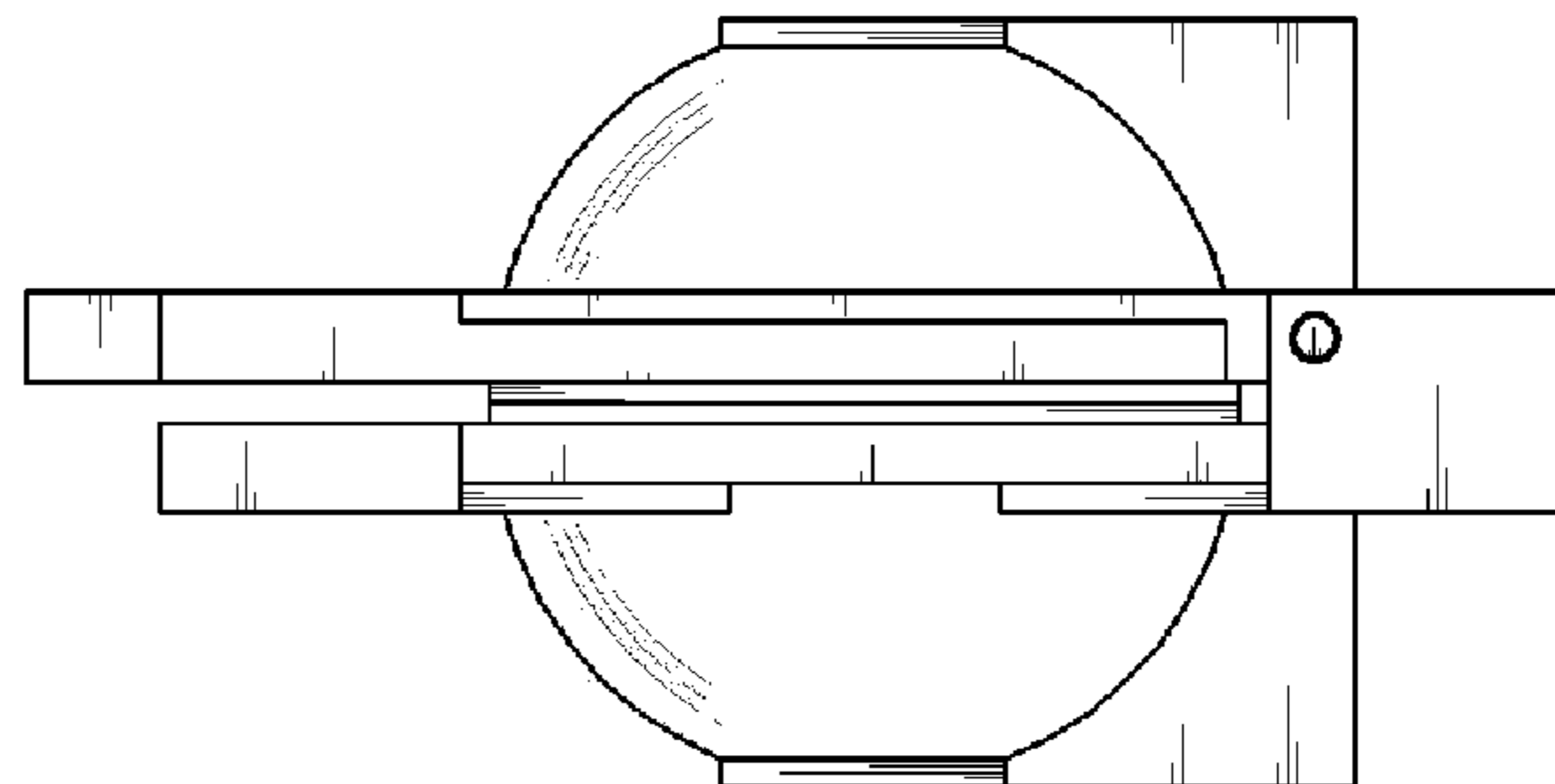


FIG. 7

