



US00D683999S

(12) **United States Design Patent**  
**Karlsson**

(10) **Patent No.:** **US D683,999 S**

(45) **Date of Patent:** **\*\* Jun. 11, 2013**

(54) **PORTABLE STOVE**

(75) **Inventor:** **Magnus Fredrik Karlsson, Solna (SE)**

(73) **Assignee:** **Primus AB, Ornskoldsvik (SE)**

(\*\*) **Term:** **14 Years**

(21) **Appl. No.:** **29/396,054**

(22) **Filed:** **Jun. 24, 2011**

(51) **LOC (9) Cl.** ..... **15-05**

(52) **U.S. Cl.**  
USPC ..... **D7/337**

(58) **Field of Classification Search**  
USPC ..... D7/332, 334, 337, 402-404, 408-409,  
D7/362-363, 365, 367, 354-355, 359; 126/27,  
126/44, 25 R, 41 R, 9 R, 40, 50, 38, 39 H,  
126/39 N, 39 K, 39 M, 39 R; 99/425, 444-44,  
99/450; 431/247, 207, 264  
See application file for complete search history.

(56) **References Cited**

**U.S. PATENT DOCUMENTS**

D133,053	S	*	7/1942	Robinson	.....	D7/337
D201,234	S	*	5/1965	Busse	.....	D7/337
D229,277	S	*	11/1973	Chan	.....	D7/337
D235,959	S	*	7/1975	Allander	.....	D7/337
D236,867	S	*	9/1975	Horholt	.....	D7/408
D244,985	S	*	7/1977	Folke	.....	D7/337
D246,151	S	*	10/1977	Chan	.....	D7/337
D249,448	S	*	9/1978	Vache	.....	D7/337
4,177,790	A	*	12/1979	Zenzaburo	.....	126/38
4,508,095	A	*	4/1985	Bloechel	.....	126/9 R
5,307,798	A	*	5/1994	Overmars, Sr.	.....	126/40
D355,809	S	*	2/1995	Kothrade	.....	D7/337
5,513,624	A	*	5/1996	Vorhis	.....	126/38
D371,716	S	*	7/1996	Jo	.....	D7/337

5,803,727	A	*	9/1998	Long	.....	431/247
5,954,044	A	*	9/1999	Schmidt et al.	.....	126/38
D416,750	S	*	11/1999	Persson	.....	D7/337
D424,364	S	*	5/2000	Persson	.....	D7/337
6,173,709	B1	*	1/2001	Yokoyama	.....	126/40
D446,991	S	*	8/2001	Taniguchi et al.	.....	D7/337
6,321,742	B1	*	11/2001	Schmidt et al.	.....	126/38
D478,771	S	*	8/2003	Wu	.....	D7/337
D502,840	S	*	3/2005	Schulte et al.	.....	D7/337
D512,264	S	*	12/2005	May et al.	.....	D7/337
D542,908	S	*	5/2007	Tschop et al.	.....	D23/402
D610,390	S	*	2/2010	Nishijima	.....	D7/332
D612,191	S	*	3/2010	Taber et al.	.....	D7/337
D618,038	S	*	6/2010	Davies et al.	.....	D7/337
D627,591	S	*	11/2010	Wade	.....	D7/337
2005/0126557	A1	*	6/2005	Kao	.....	126/40
2007/0006868	A1	*	1/2007	Svedlund	.....	126/39 N
2007/0017499	A1	*	1/2007	Hsu	.....	126/9 R

\* cited by examiner

*Primary Examiner* — Ruth McInroy

(74) *Attorney, Agent, or Firm* — Baker & Hostetler LLP

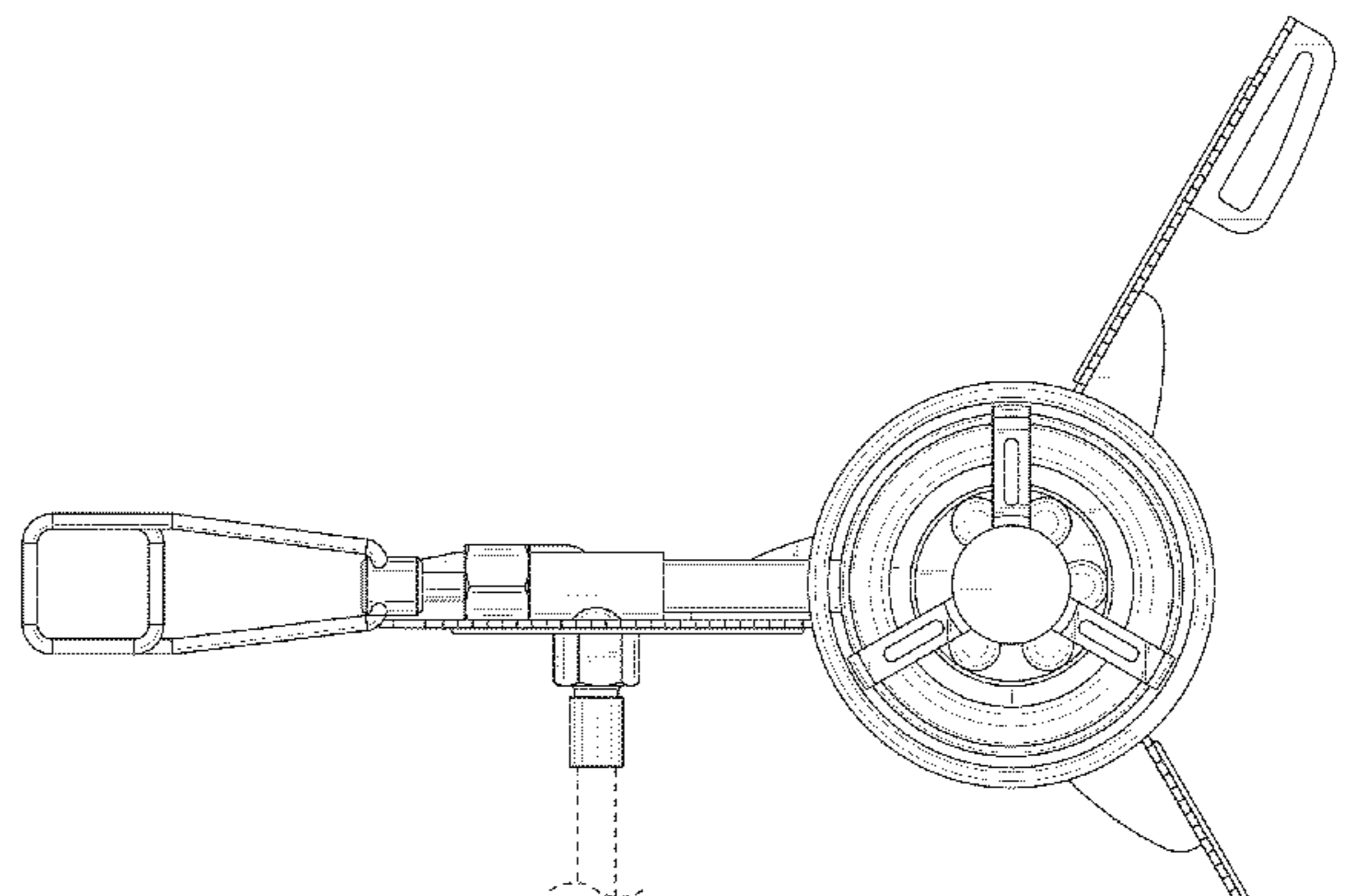
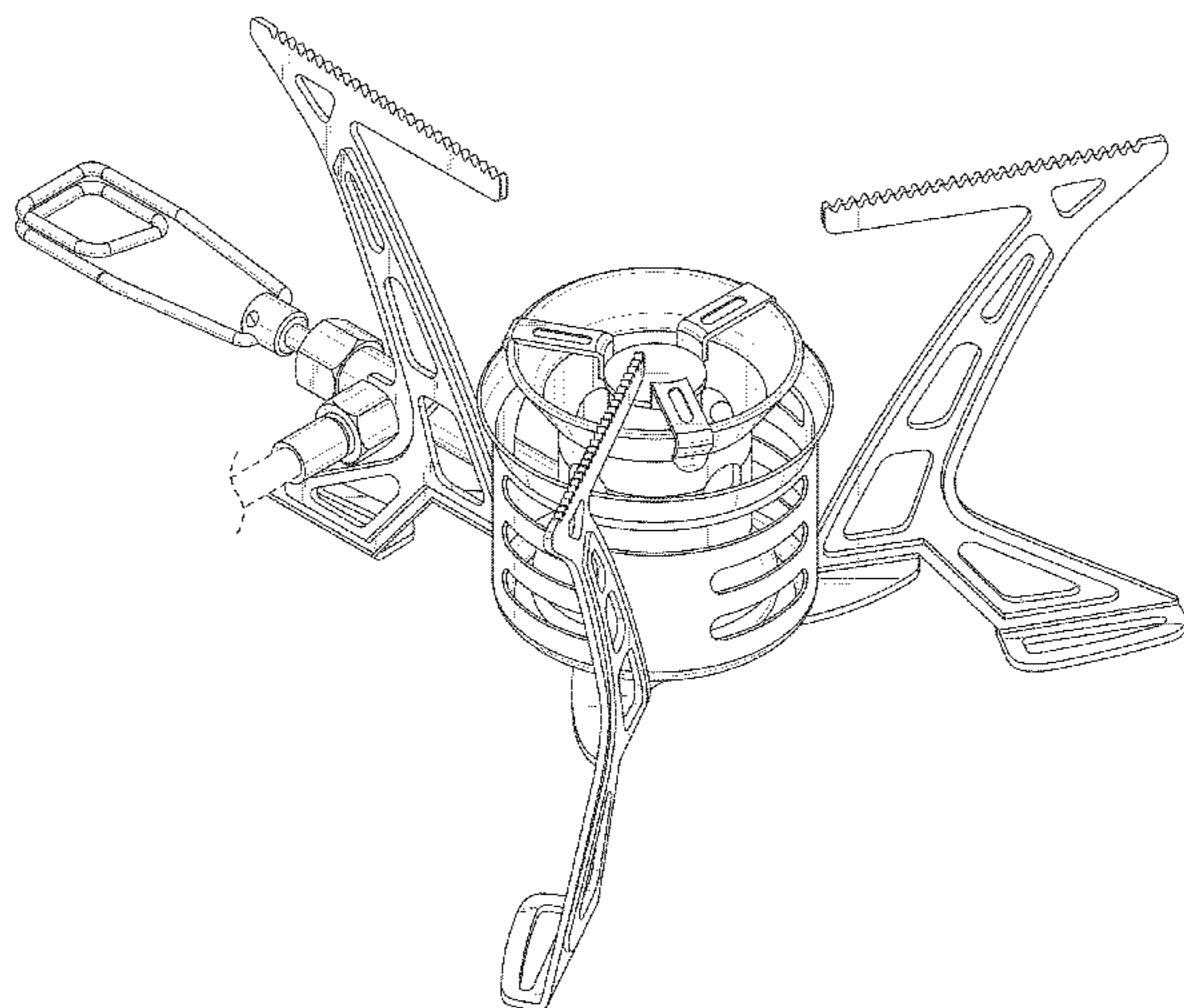
(57) **CLAIM**

The ornamental design for a portable stove, as shown and described.

**DESCRIPTION**

FIG. 1 is a perspective view of a portable stove showing my new design;  
FIG. 2 is a top view thereof;  
FIG. 3 is a bottom view thereof;  
FIG. 4 is a front view thereof;  
FIG. 5 is a right side view thereof;  
FIG. 6 is a left side view thereof; and,  
FIG. 7 is a rear view thereof.

**1 Claim, 7 Drawing Sheets**



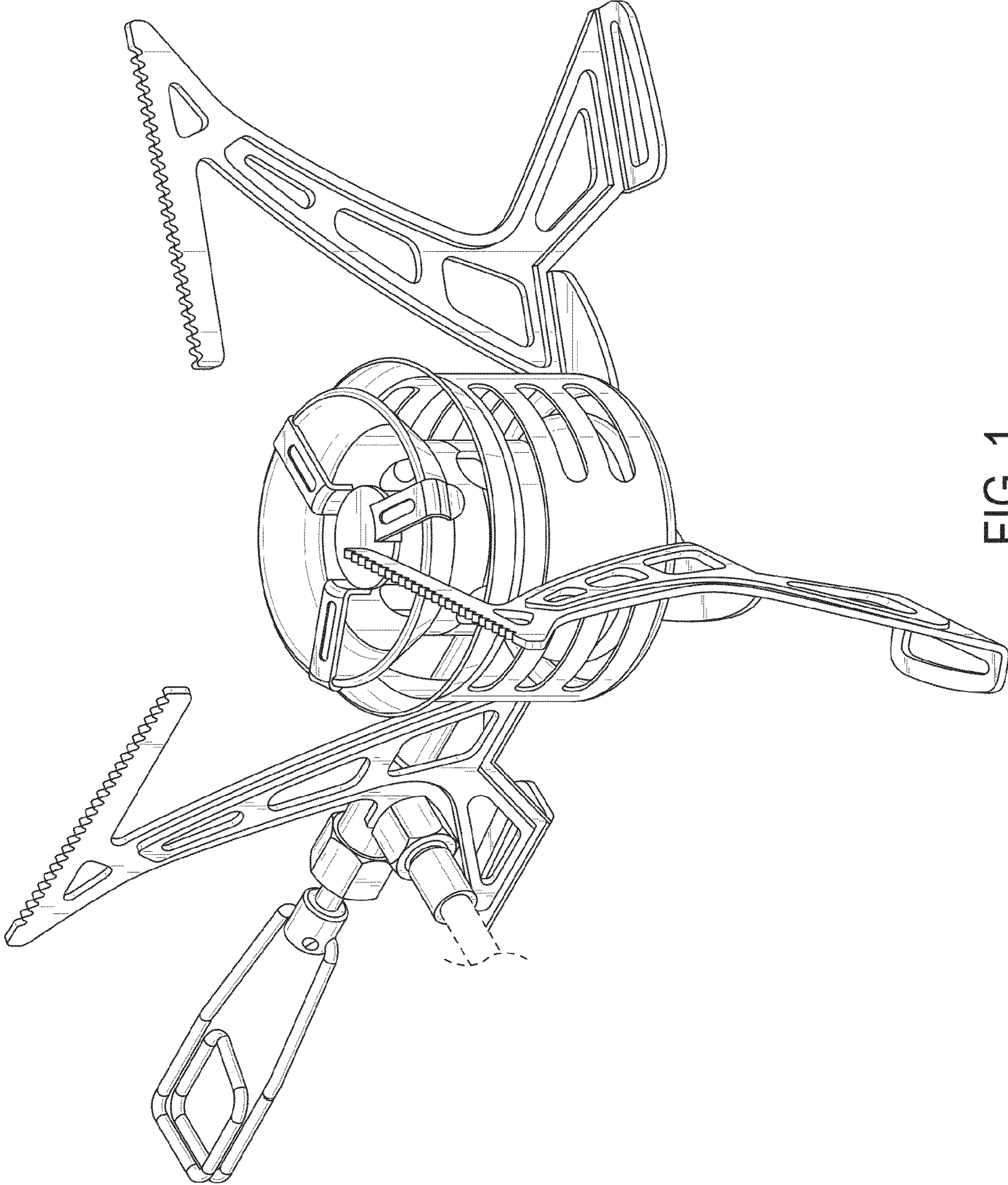


FIG. 1



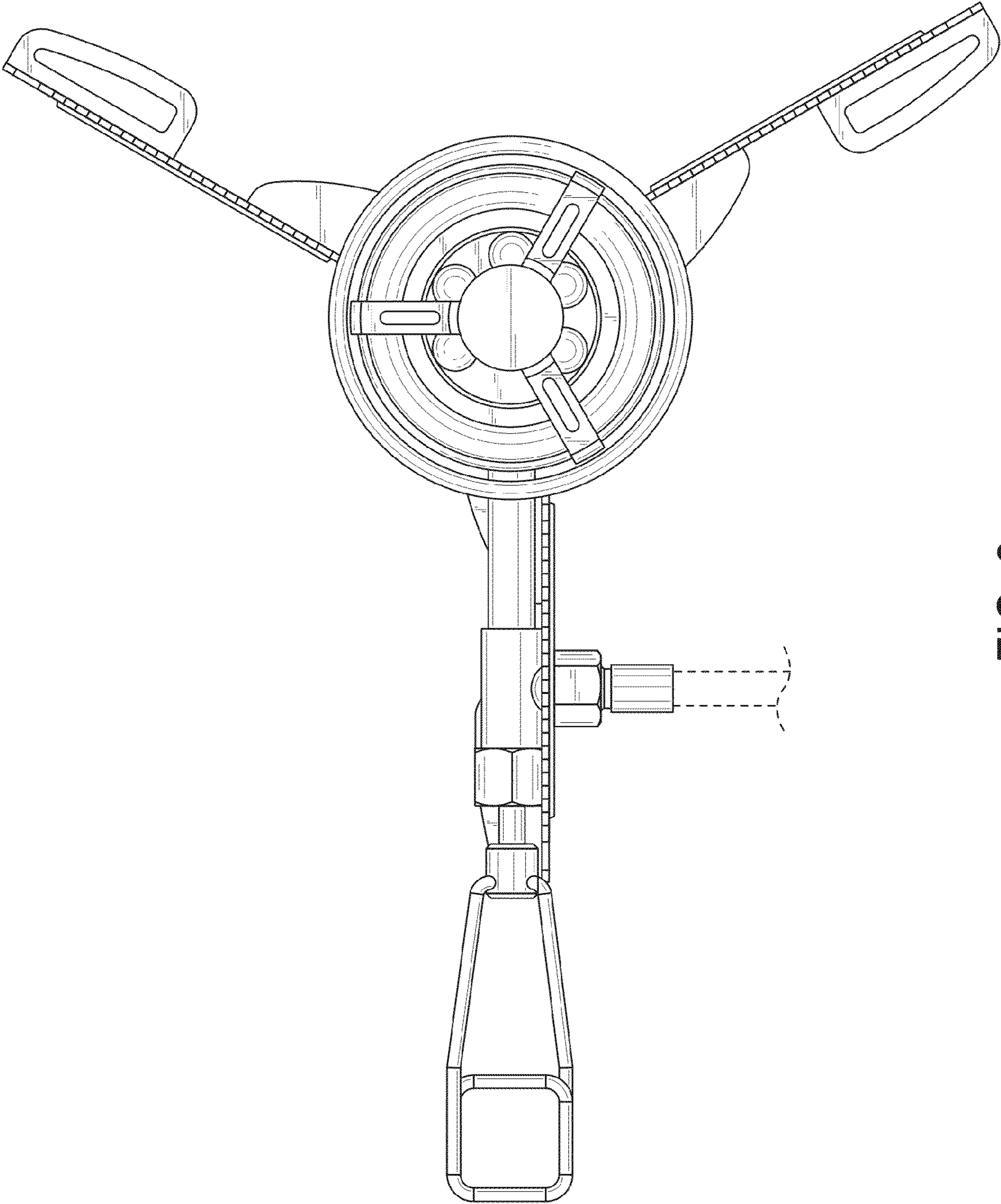


FIG. 2

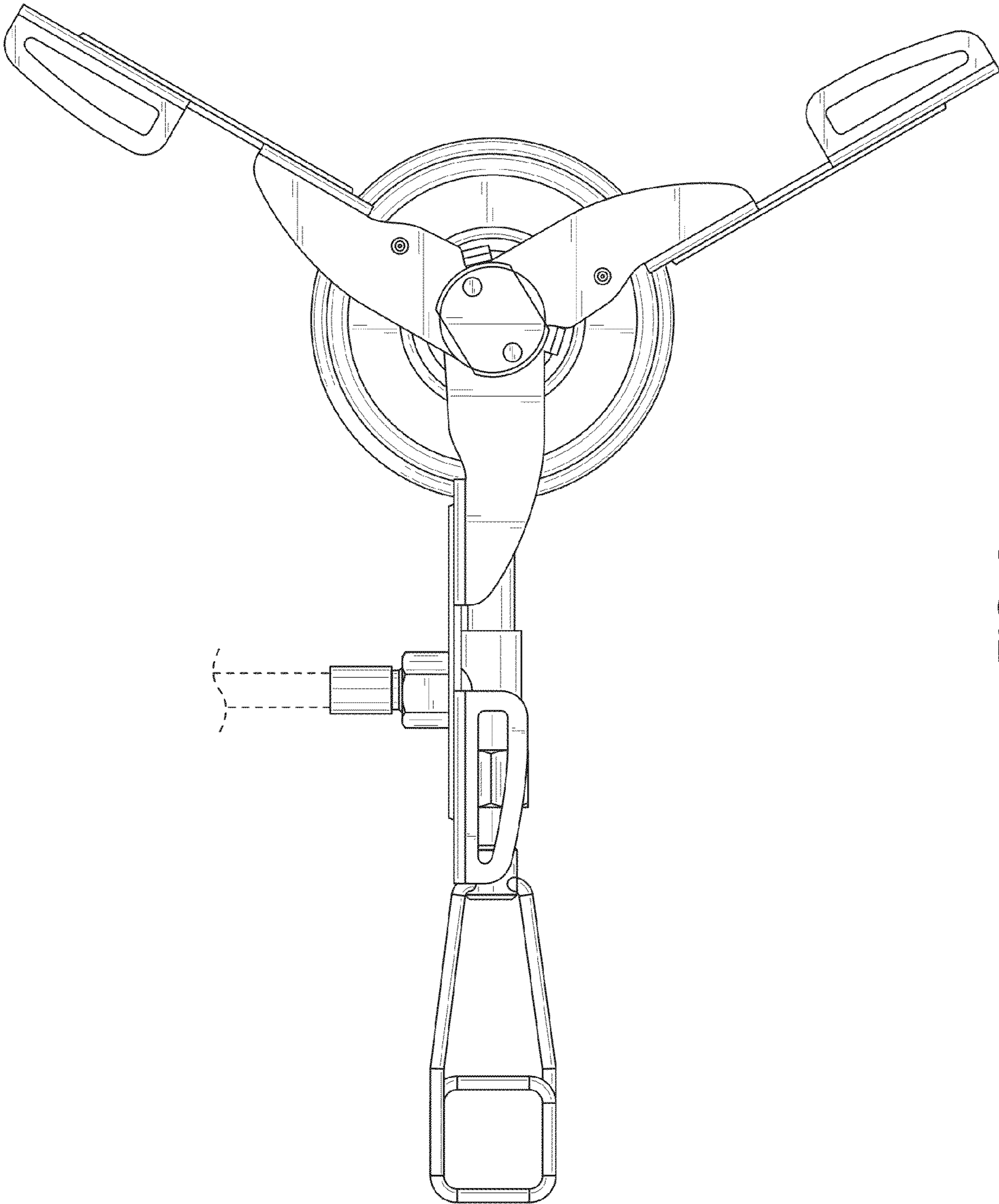


FIG. 3

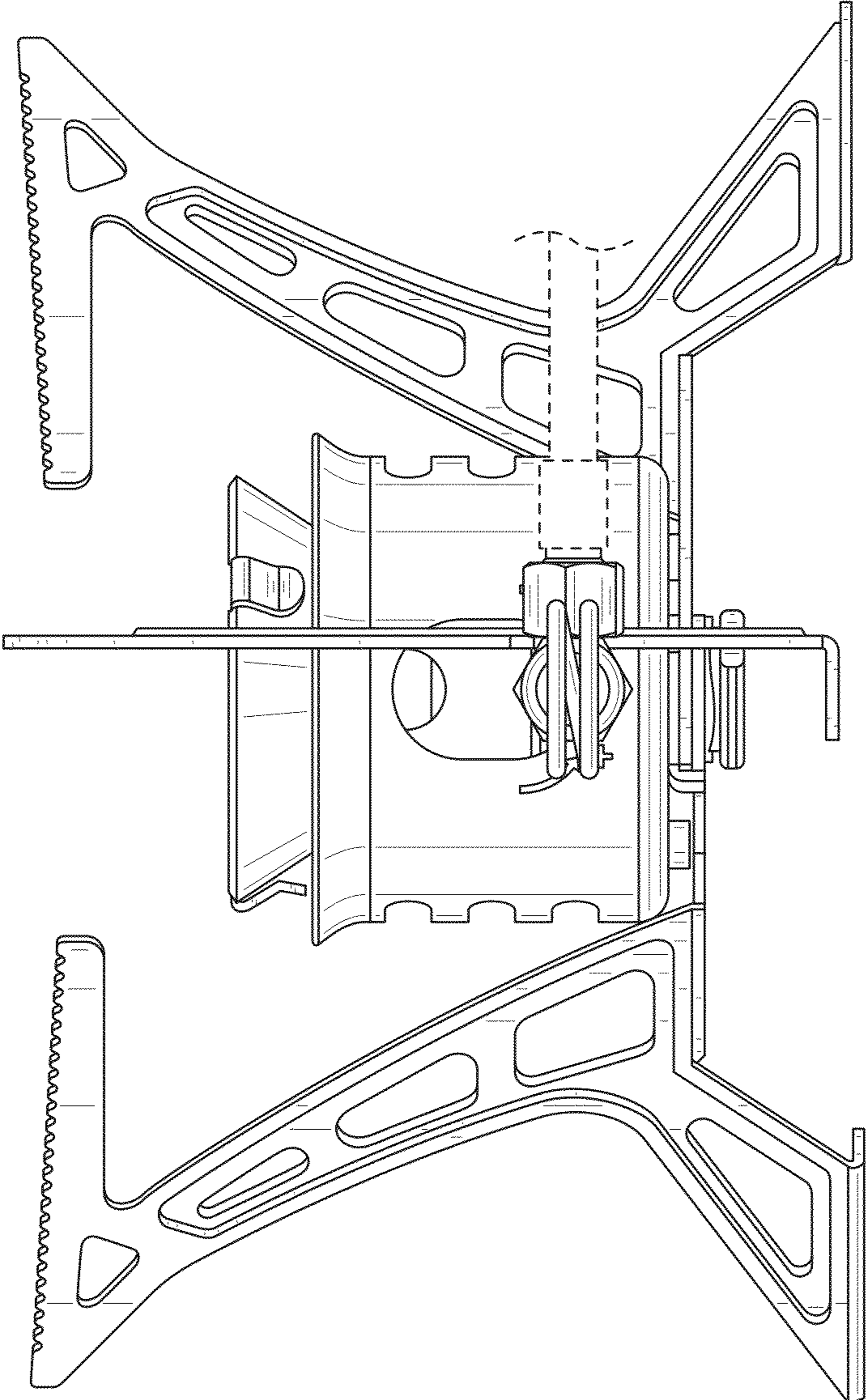


FIG. 4

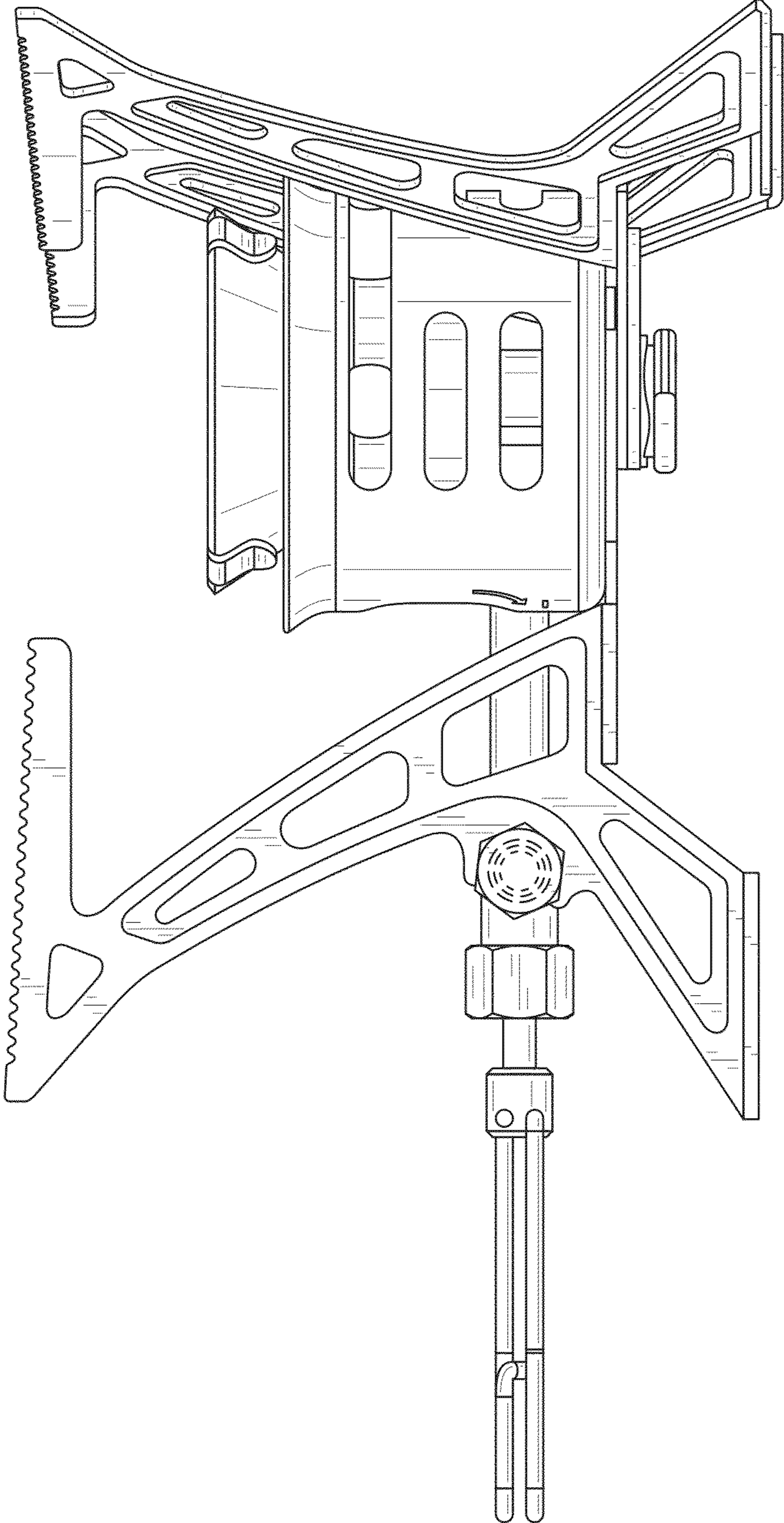


FIG. 5



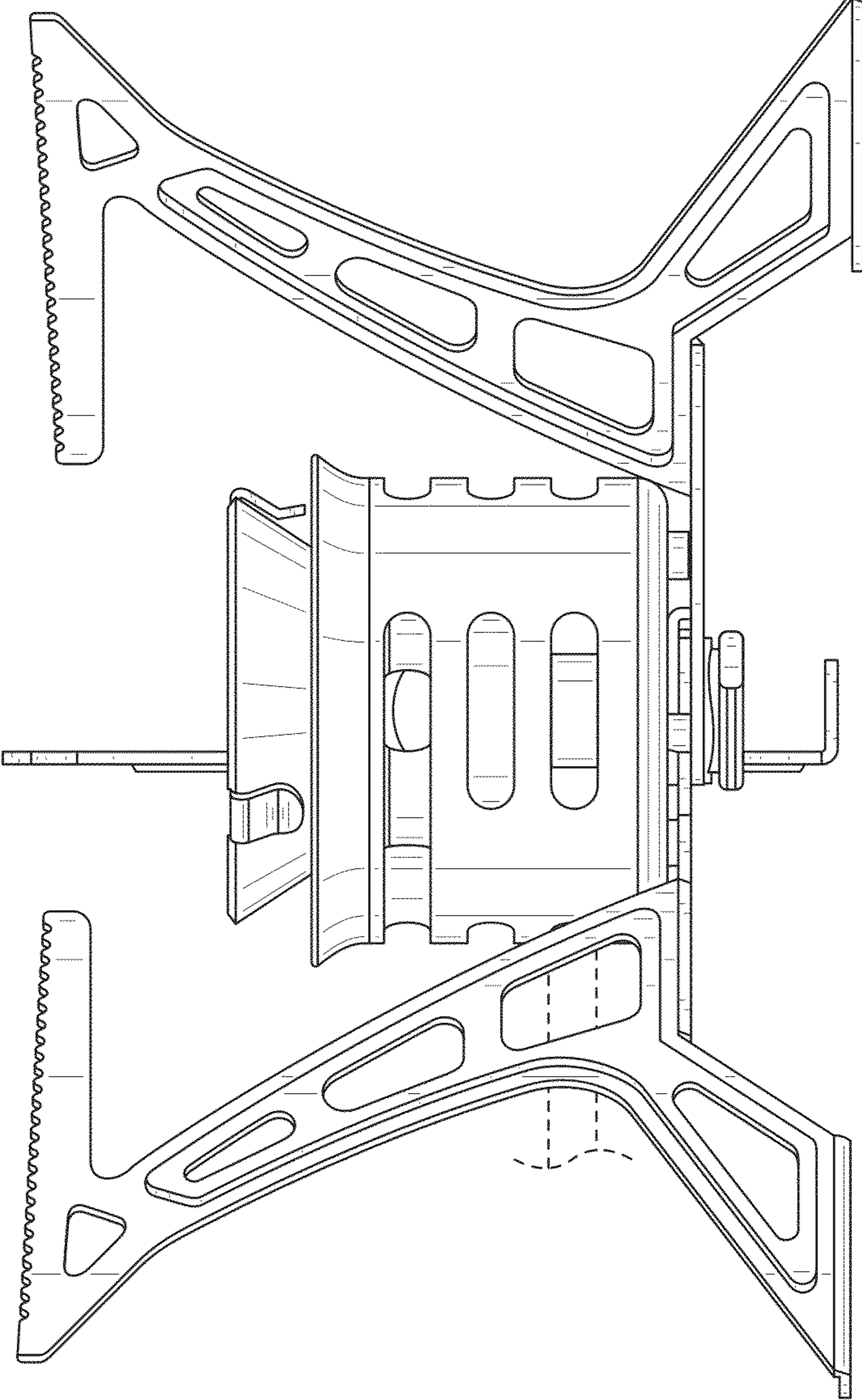


FIG. 6

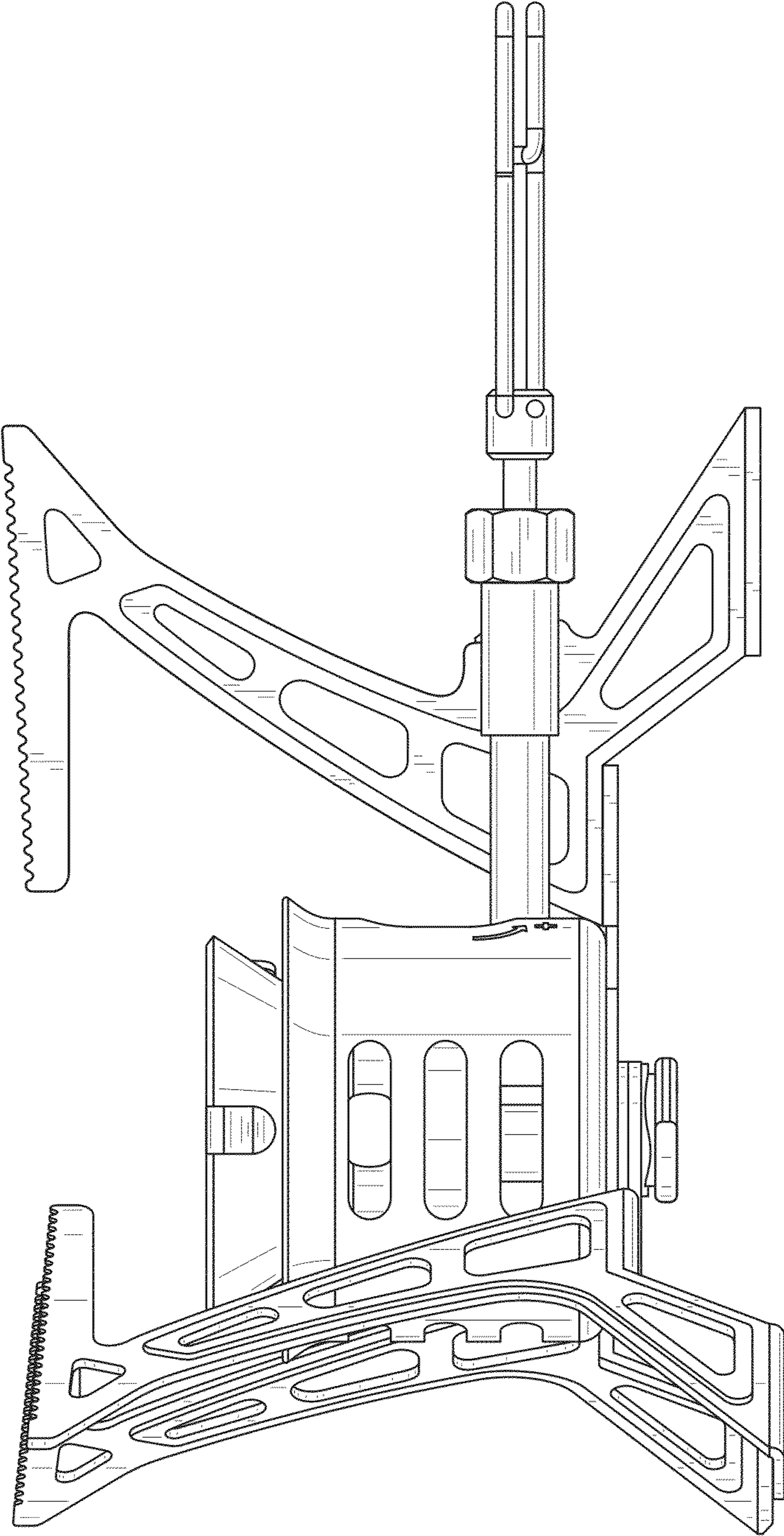


FIG. 7