



US00D683997S

(12) **United States Design Patent**
Sehdev

(10) **Patent No.:** **US D683,997 S**
(45) **Date of Patent:** **** Jun. 11, 2013**

(54) **KETTLE**

(75) Inventor: **Kunal Sehdev**, New Delhi (IN)

(73) Assignee: **Le Creuset SAS**, Fresnoy le Grand (FR)

(**) Term: **14 Years**

(21) Appl. No.: **29/413,326**

(22) Filed: **Feb. 14, 2012**

(30) **Foreign Application Priority Data**

Aug. 17, 2011 (EM) 001290274-0002

(51) **LOC (9) Cl.** **07-01**

(52) **U.S. Cl.**
USPC **D7/322; D7/321**

(58) **Field of Classification Search**
USPC D7/322, 320, 321, 312; 222/465.1,
222/469, 474
See application file for complete search history.

(56) **References Cited**

U.S. PATENT DOCUMENTS

D283,780 S * 5/1986 Laslo D7/320
D478,767 S * 8/2003 Lebowitz D7/322

D502,838 S * 3/2005 Ancona D7/321
D574,658 S * 8/2008 Grund et al. D7/322
D574,659 S * 8/2008 Lebowitz D7/322
D574,660 S * 8/2008 Grund et al. D7/322
D575,094 S * 8/2008 Lebowitz D7/321
D626,780 S * 11/2010 Gatto D7/322
D640,495 S * 6/2011 Blacken D7/322

* cited by examiner

Primary Examiner — Marianne Pandozzi

(74) *Attorney, Agent, or Firm* — Wood, Herron & Evans, LLP

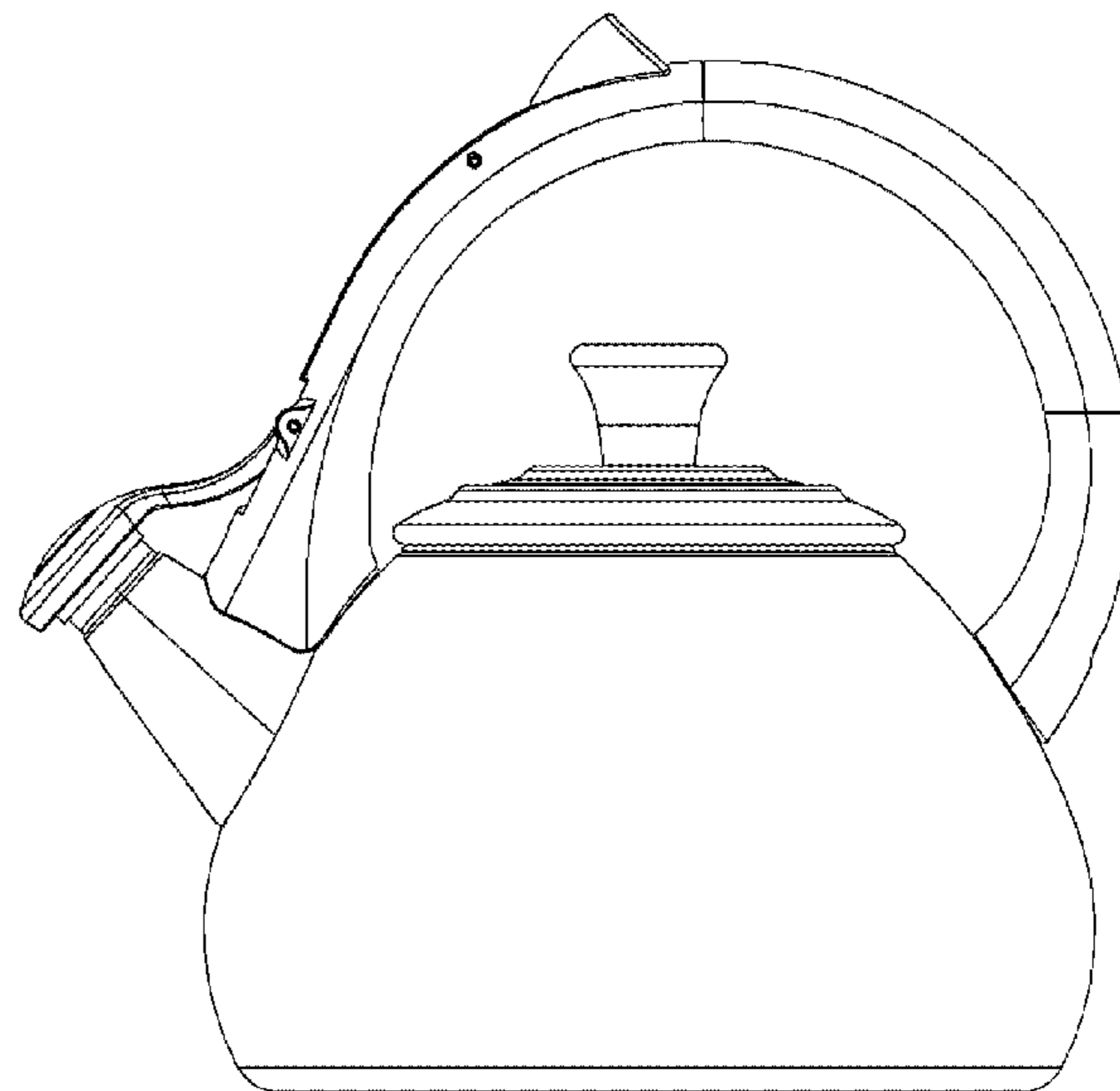
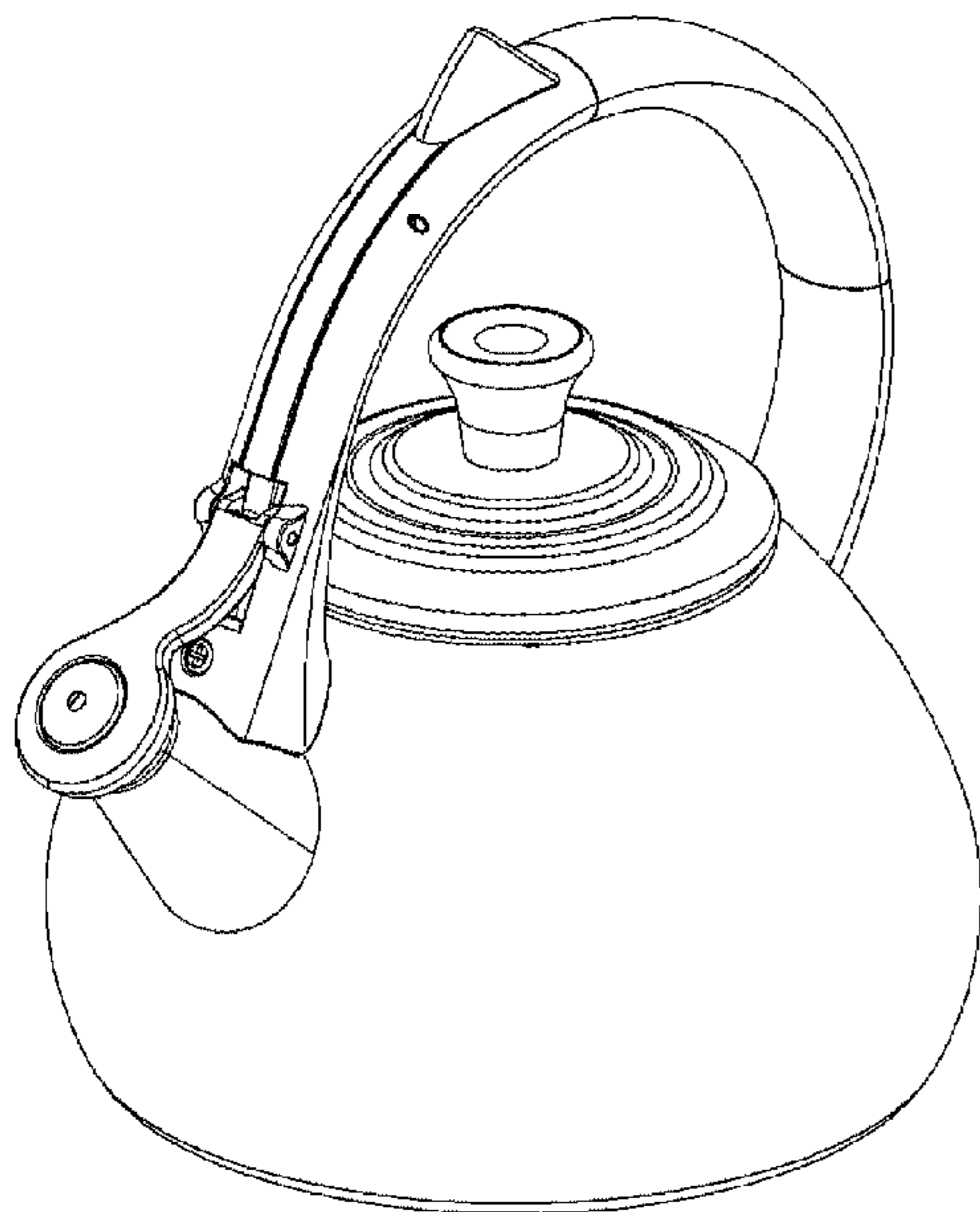
(57) **CLAIM**

The design for a kettle, as shown and described.

DESCRIPTION

FIG. 1 is a front, right isometric view of my new, original, and ornamental design;
FIG. 2 is a front elevational view thereof;
FIG. 3 is a right side elevational view thereof, the left side being a mirror image thereof;
FIG. 4 is a rear elevational view thereof;
FIG. 5 is a top plan view thereof; and,
FIG. 6 is a bottom plan view thereof.

1 Claim, 6 Drawing Sheets



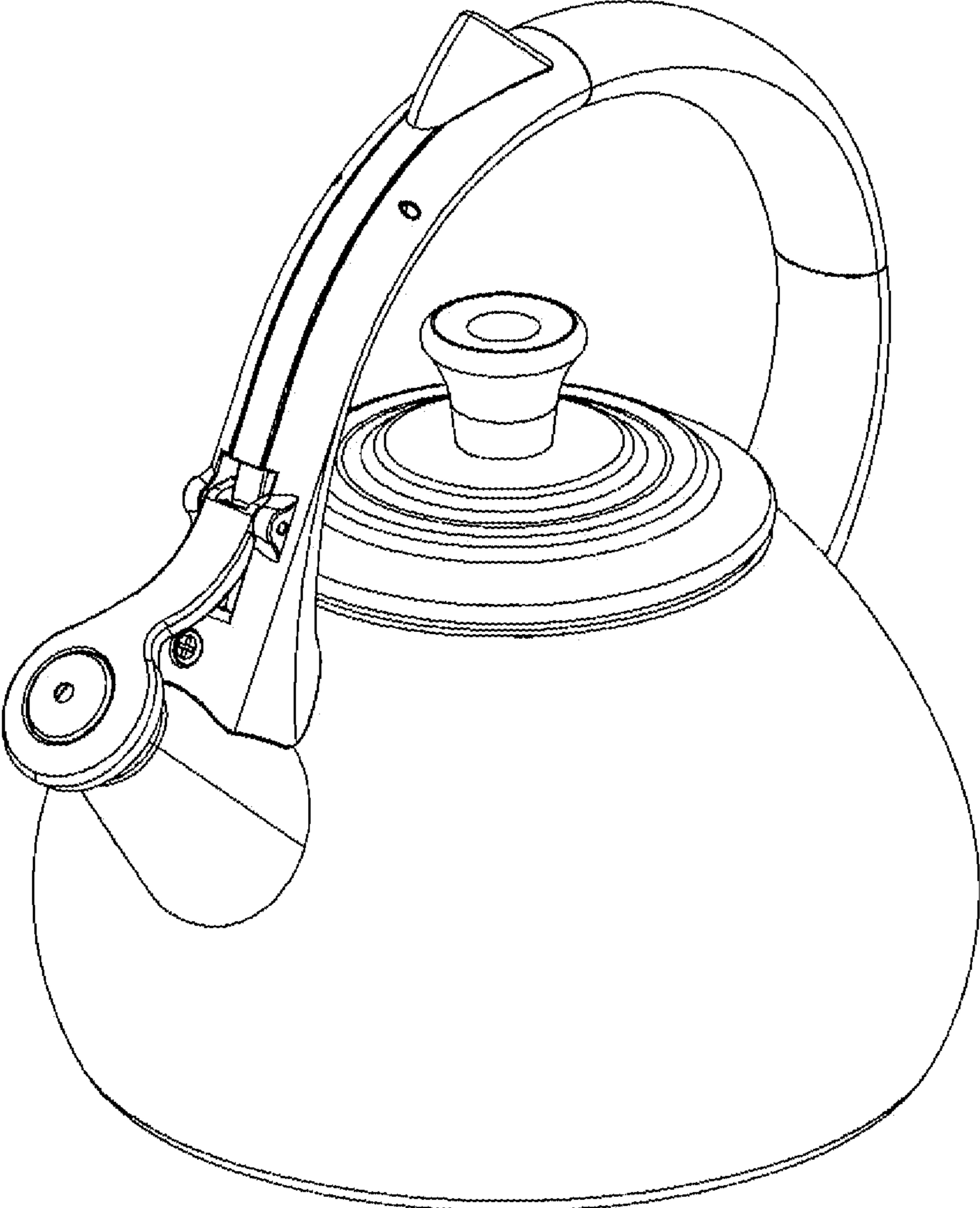


FIG. 1

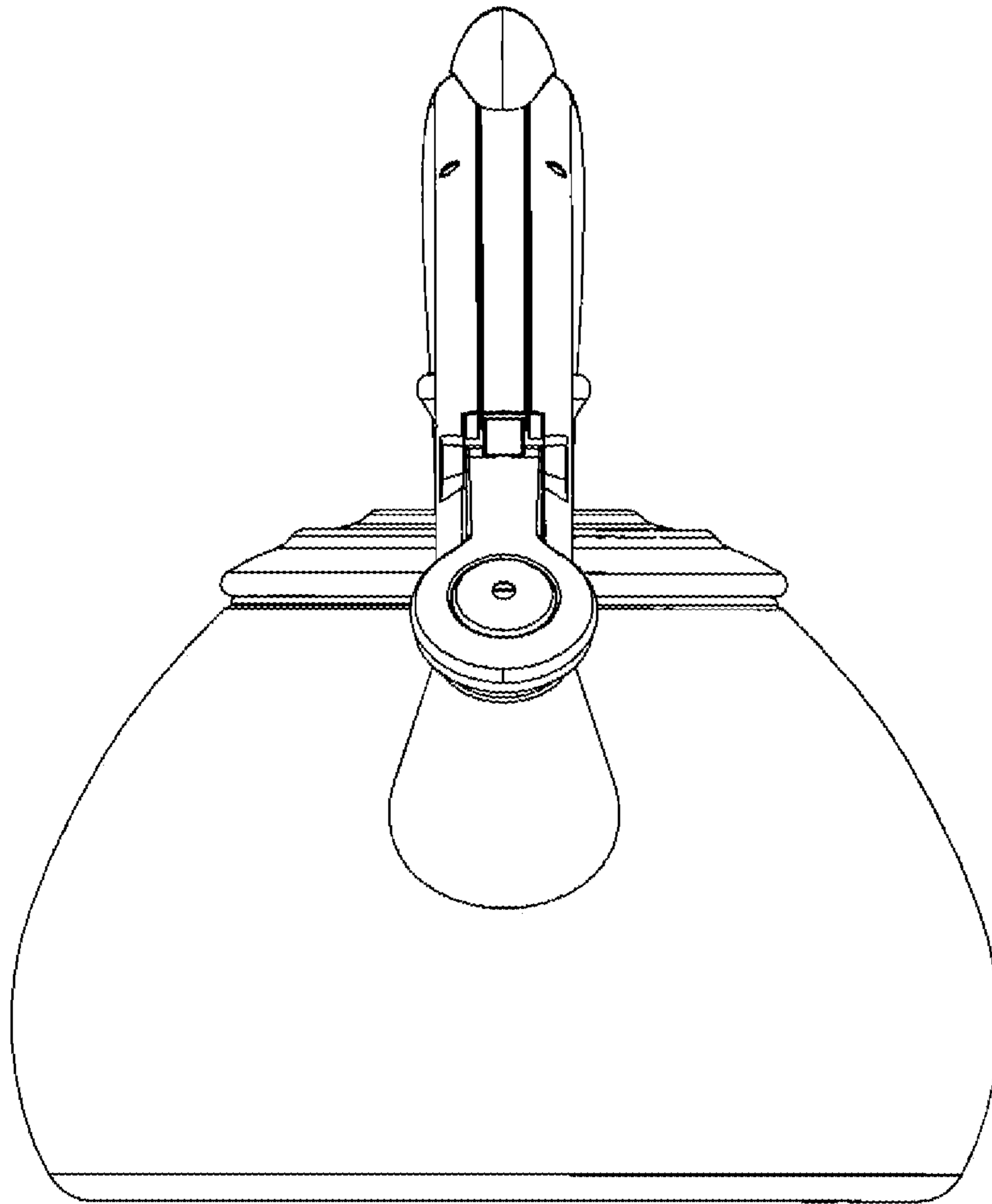


FIG. 2

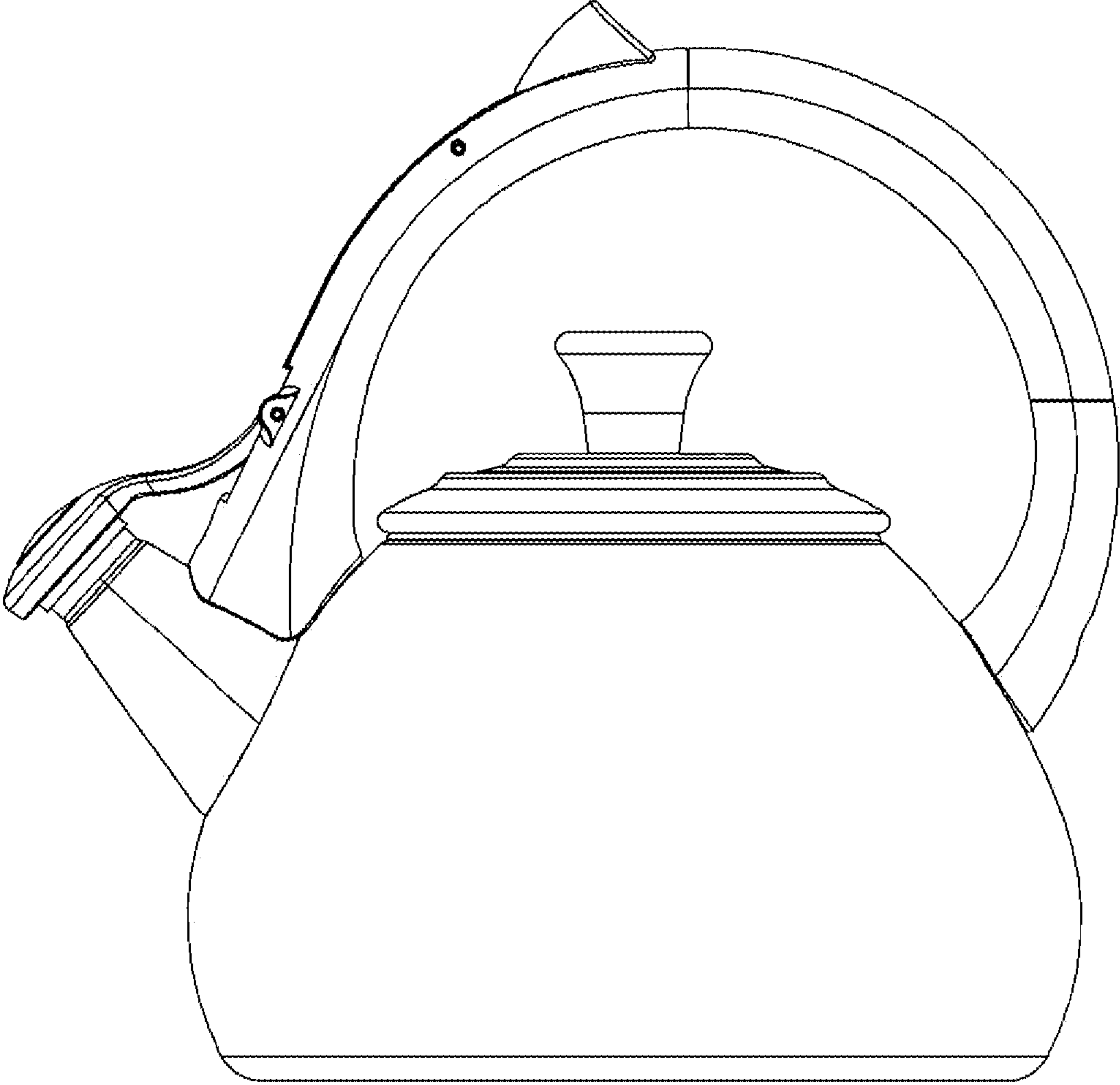


FIG. 3

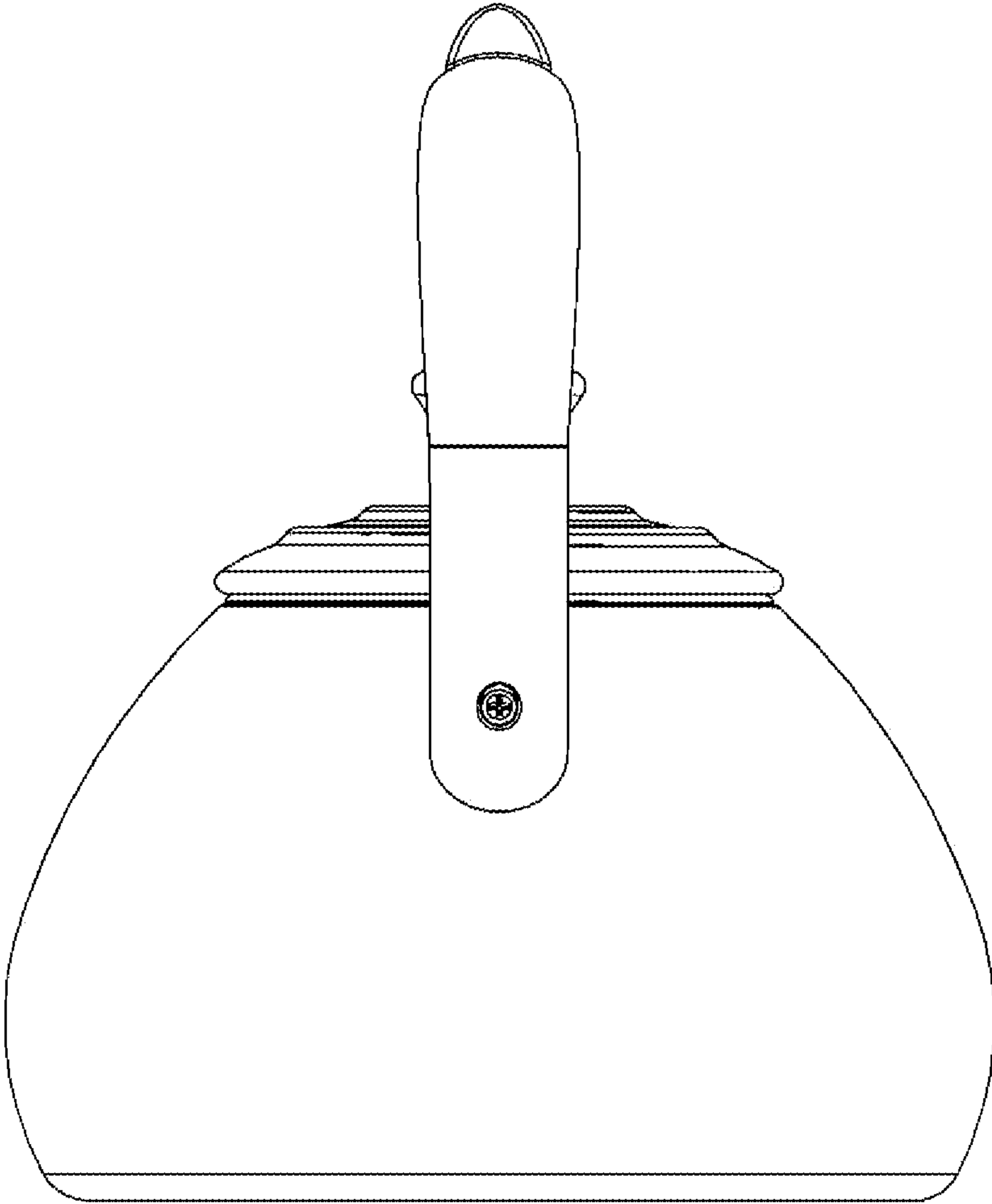


FIG. 4

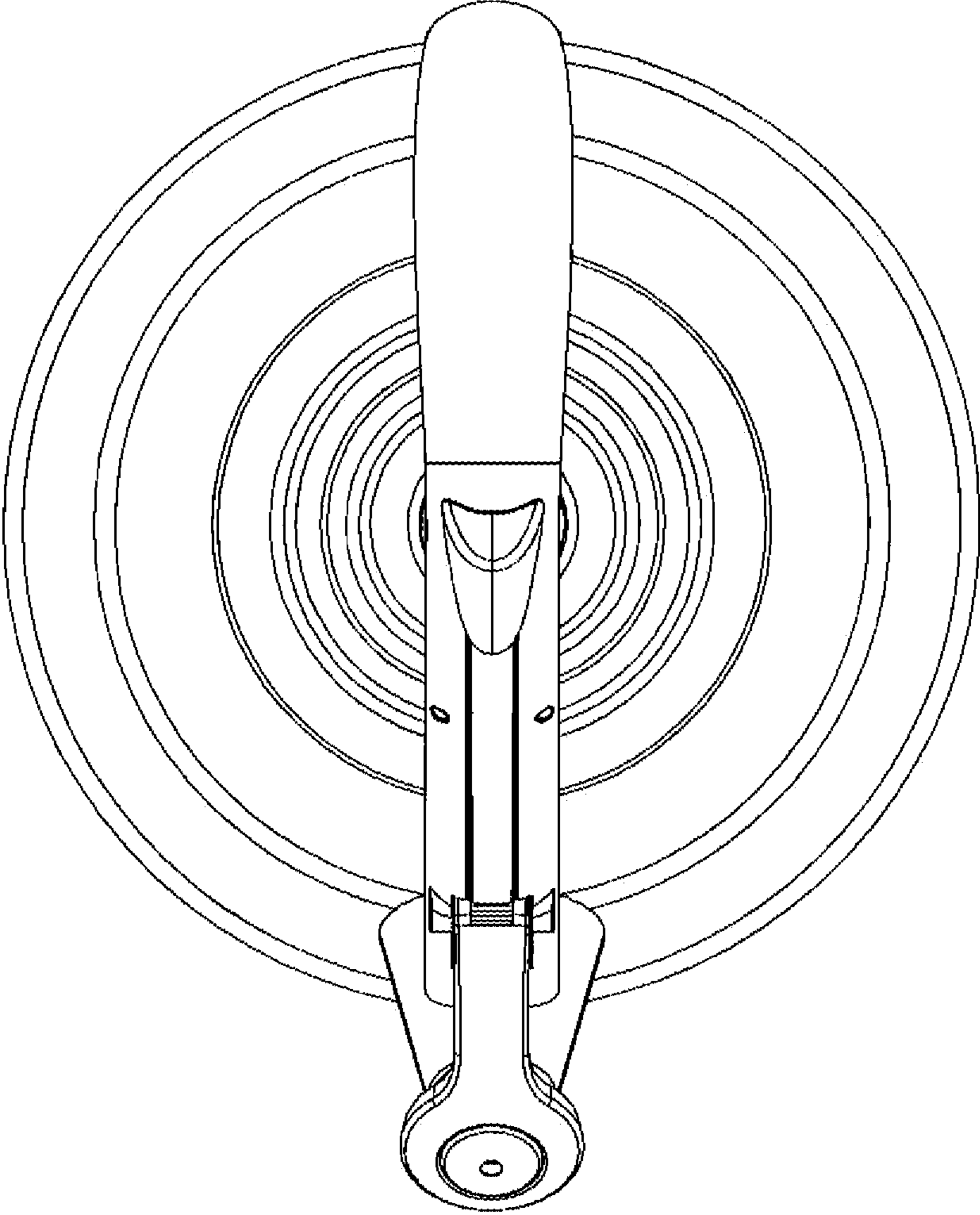


FIG. 5

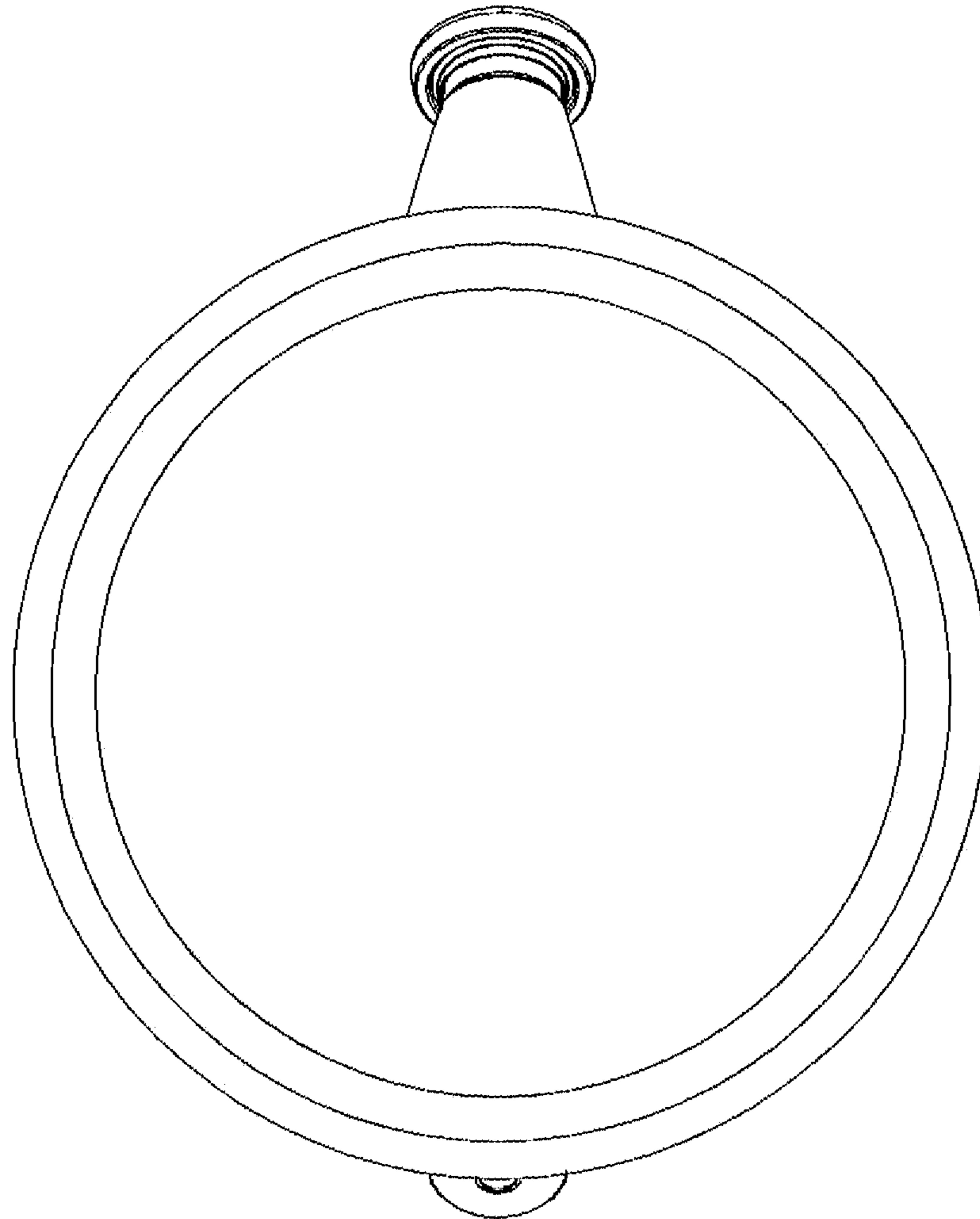


FIG. 6