



US00D683996S

(12) **United States Design Patent**
Sworder

(10) **Patent No.:** **US D683,996 S**
(45) **Date of Patent:** **** Jun. 11, 2013**

(54) **COFFEE POT**

(75) Inventor: **Geoffrey Michael Sworder**, West
Lavington (GB)

(73) Assignee: **Le Creuset SAS**, Fresnoy le Grand (FR)

(**) Term: **14 Years**

(21) Appl. No.: **29/413,100**

(22) Filed: **Feb. 10, 2012**

(30) **Foreign Application Priority Data**

Aug. 17, 2011 (EM) 001290274-0001

(51) **LOC (9) Cl.** **07-01**

(52) **U.S. Cl.**
USPC **D7/317; D7/319**

(58) **Field of Classification Search**
USPC D7/316-319, 312; 222/465.1, 129.1
See application file for complete search history.

(56) **References Cited**

U.S. PATENT DOCUMENTS

D303,904 S * 10/1989 Wolfenden D7/317
D306,547 S * 3/1990 Wolfenden D7/317
D343,334 S * 1/1994 Ancona et al. D7/318
D356,004 S * 3/1995 VanValkenburg et al. D7/317

D383,639 S * 9/1997 Jorgensen D7/319
D436,283 S * 1/2001 Tsubokawa D7/318
D542,078 S * 5/2007 Bodum D7/319
D560,951 S * 2/2008 Appleton D7/317
D567,568 S * 4/2008 Bodum D7/316
D568,667 S * 5/2008 Appleton D7/319
D584,559 S * 1/2009 Bodum D7/319
D584,912 S * 1/2009 Green et al. D7/318
D595,534 S * 7/2009 Mankowitz D7/317
D615,341 S * 5/2010 Lochen D7/317
D630,882 S * 1/2011 Cohen D7/318
D663,155 S * 7/2012 Bodum D7/319

* cited by examiner

Primary Examiner — Marianne Pandozzi

(74) *Attorney, Agent, or Firm* — Wood, Herron & Evans, LLP

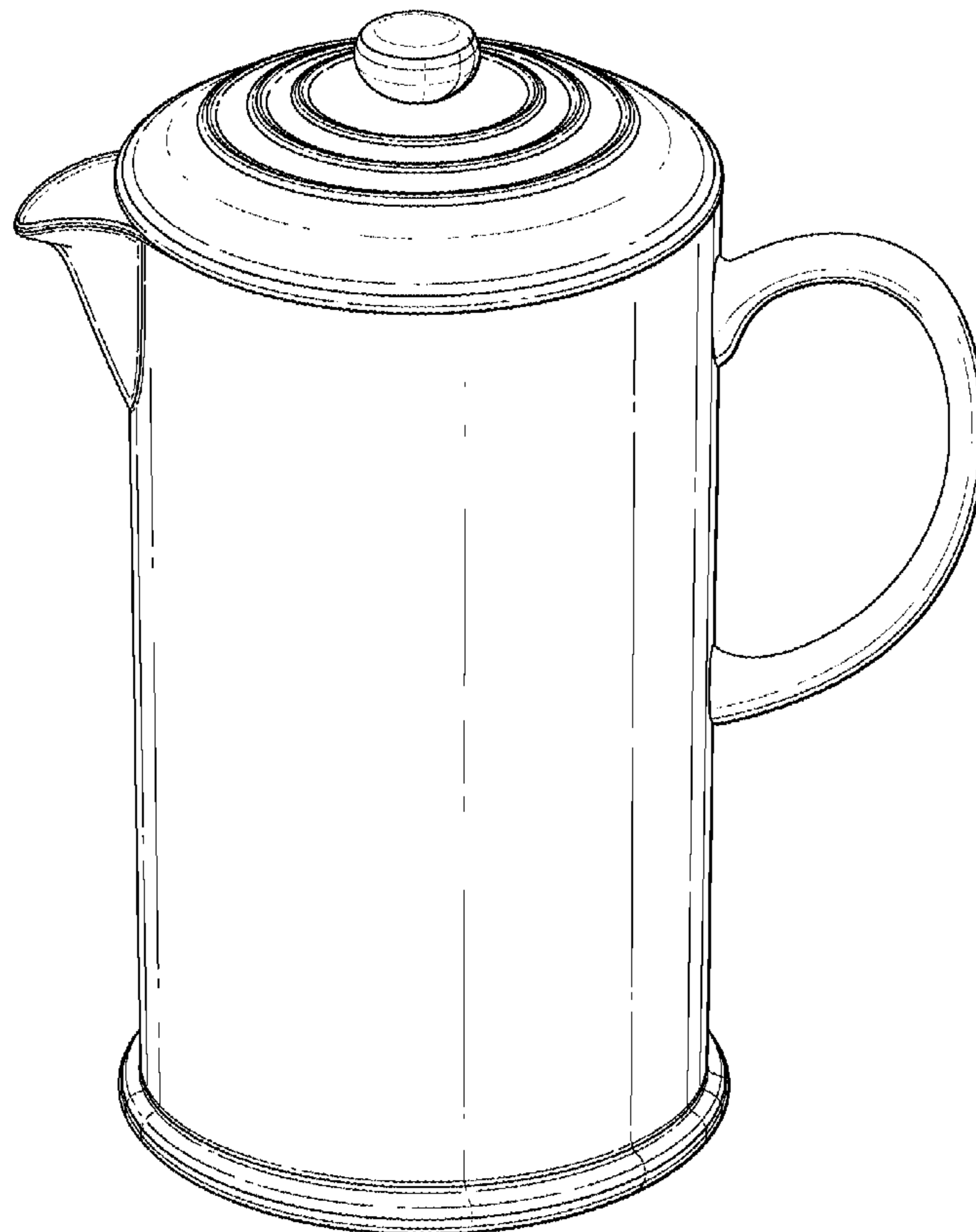
(57) **CLAIM**

The design for a coffee pot, as shown and described.

DESCRIPTION

FIG. 1 is a left, perspective view of my new, original, and ornamental design;
FIG. 2 is a right elevational view thereof;
FIG. 3 a front elevational view thereof;
FIG. 4 is a left elevational view thereof;
FIG. 5 is a rear elevation thereof;
FIG. 6 is a top plan view thereof; and,
FIG. 7 is a bottom plan view thereof.

1 Claim, 6 Drawing Sheets



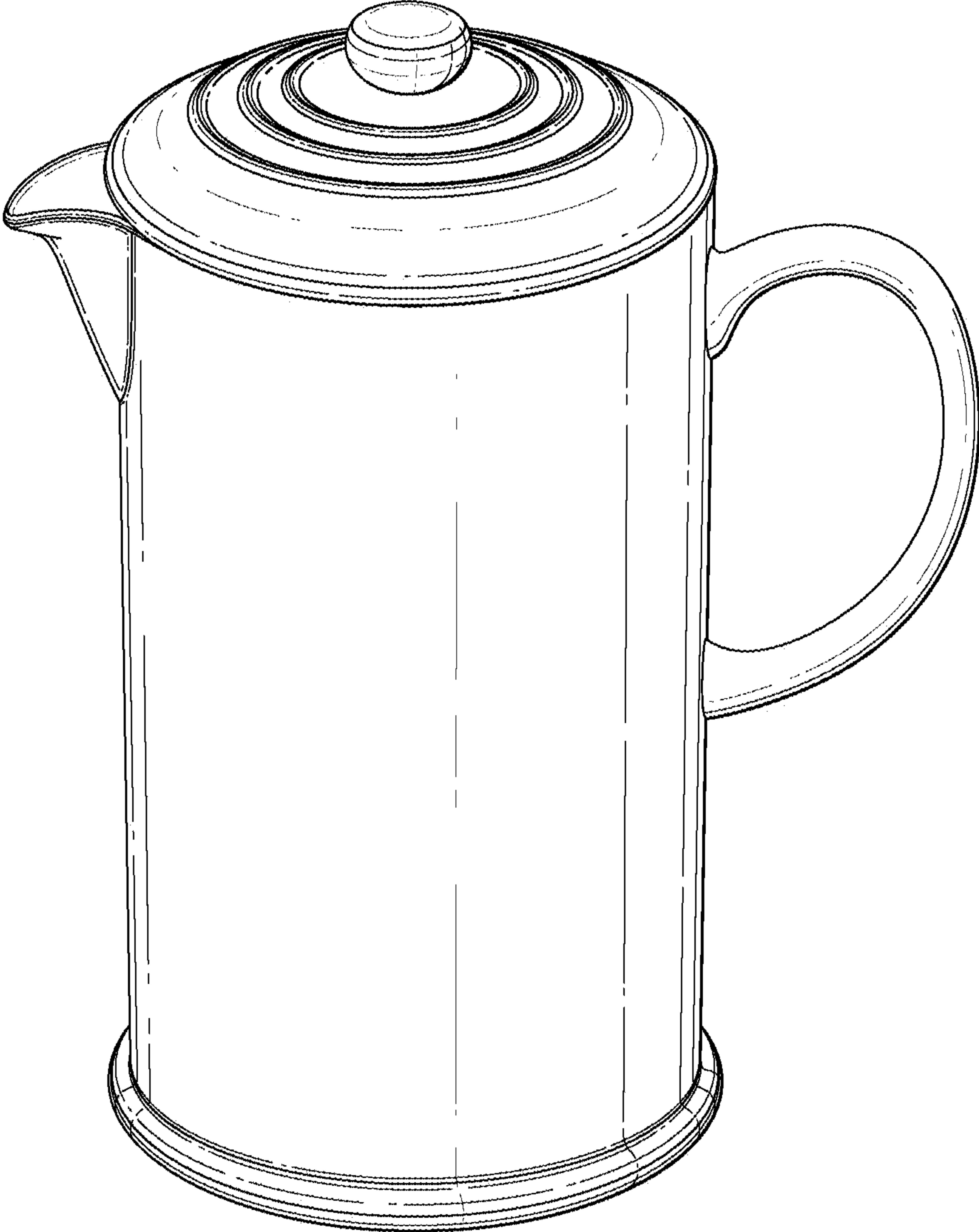


FIG. 1

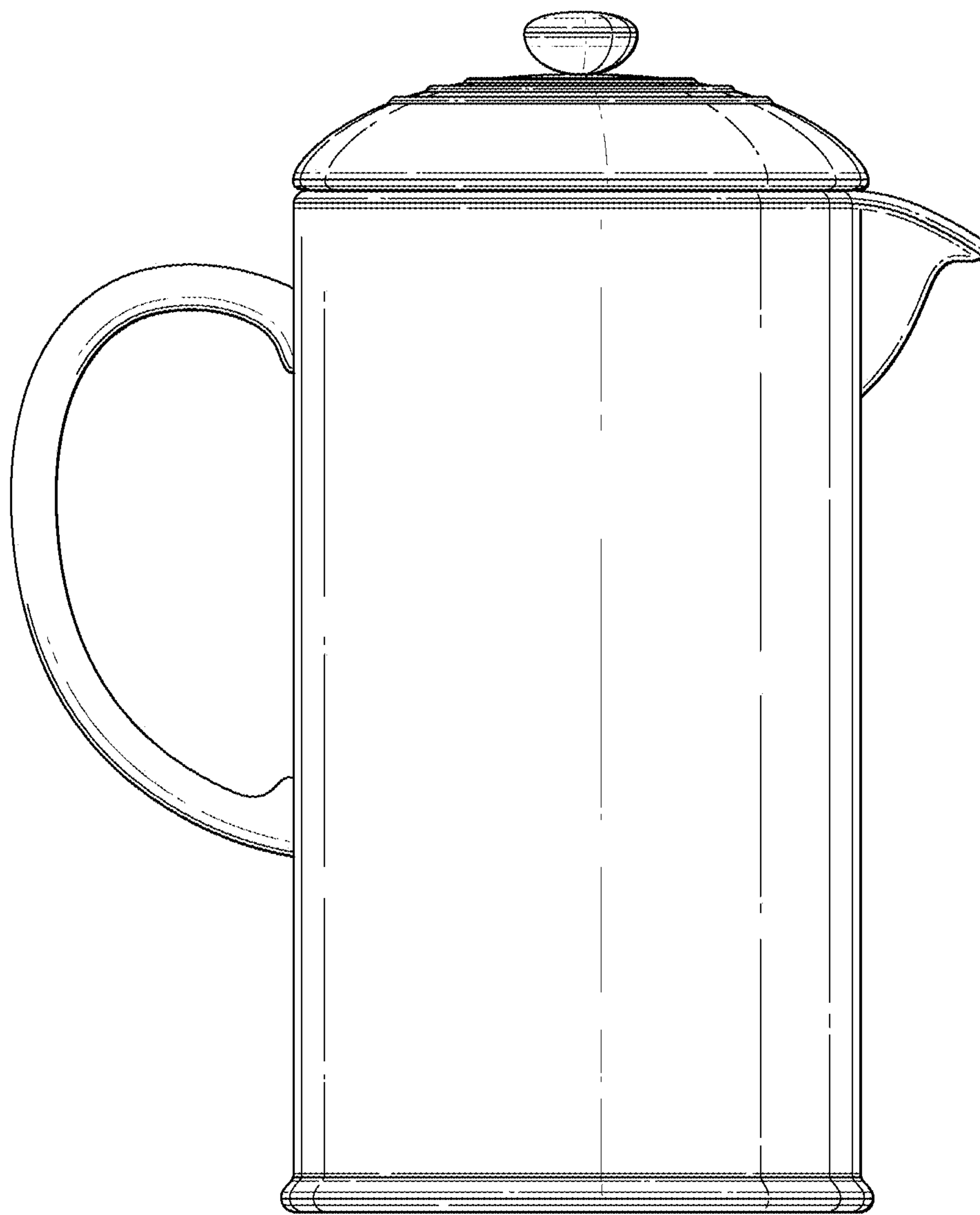


FIG. 2

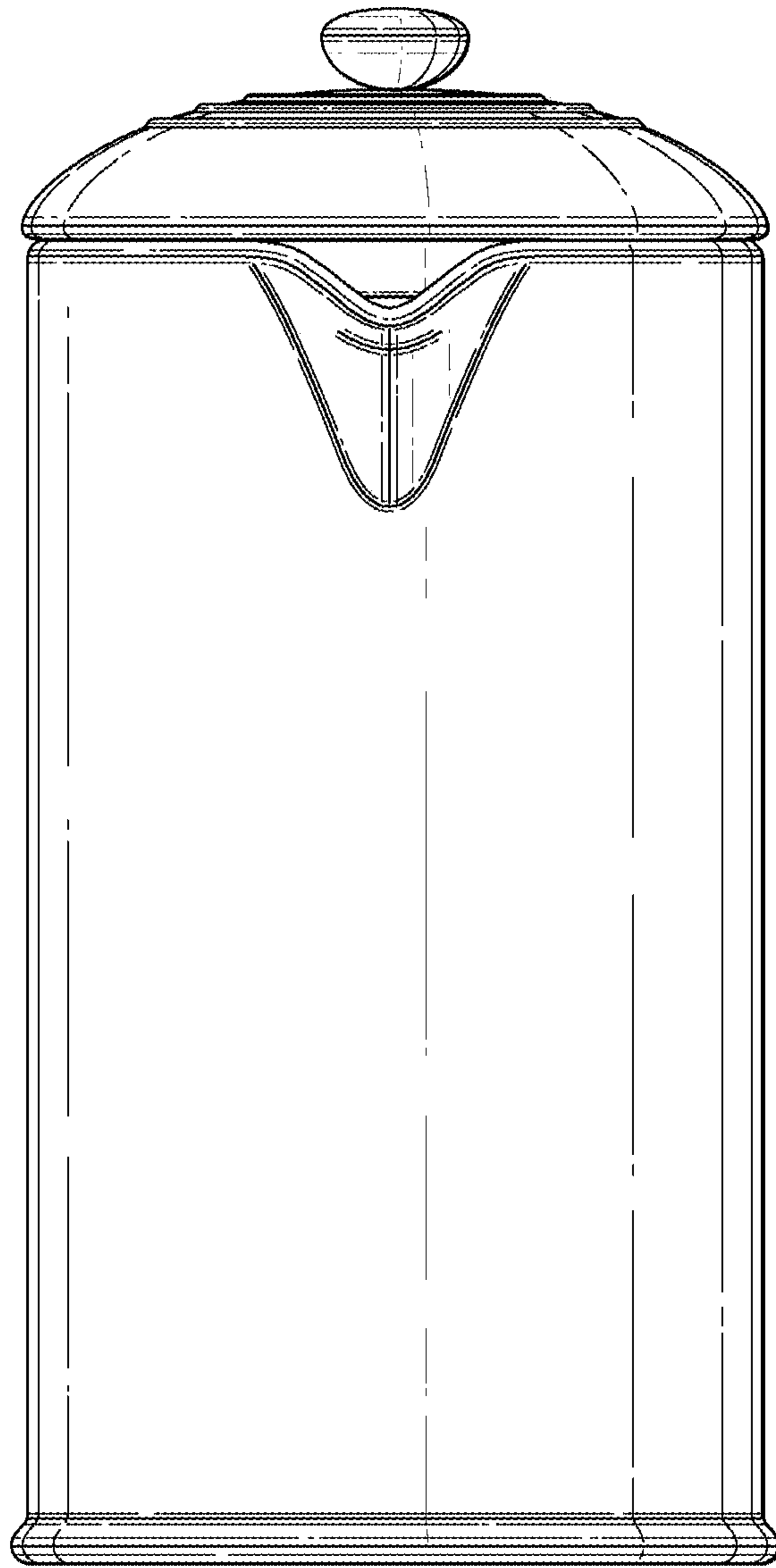


FIG. 3

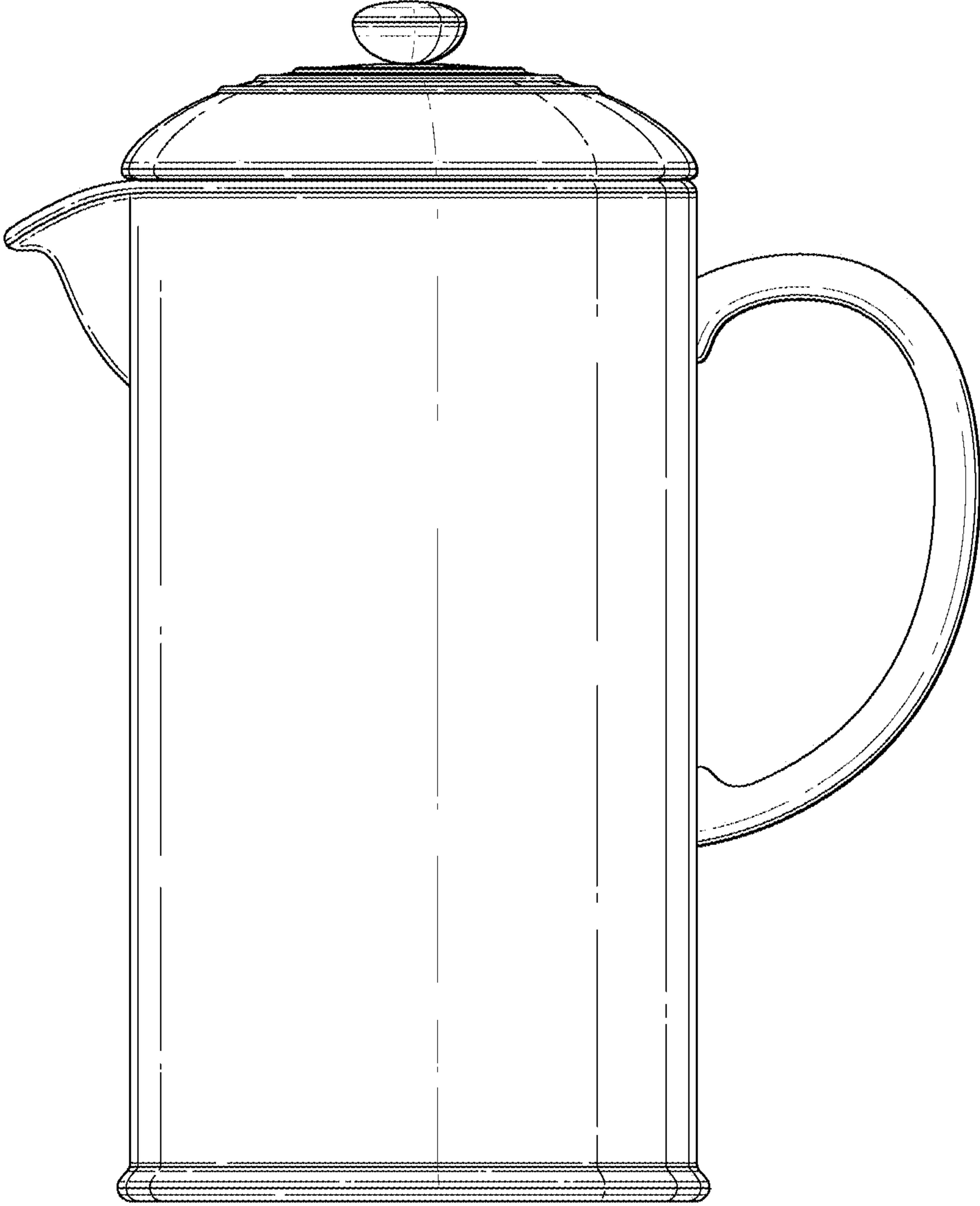


FIG. 4

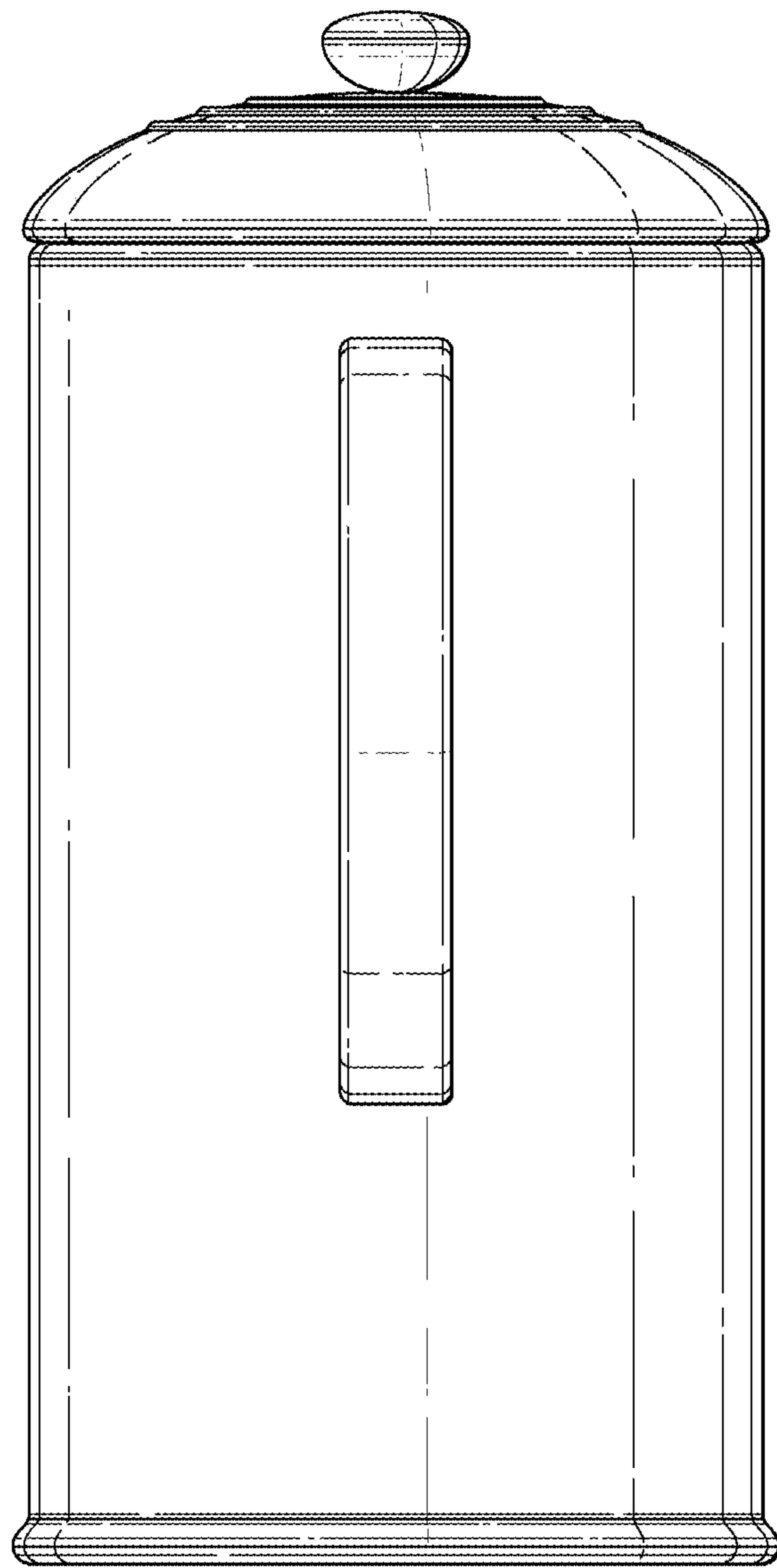


FIG. 5

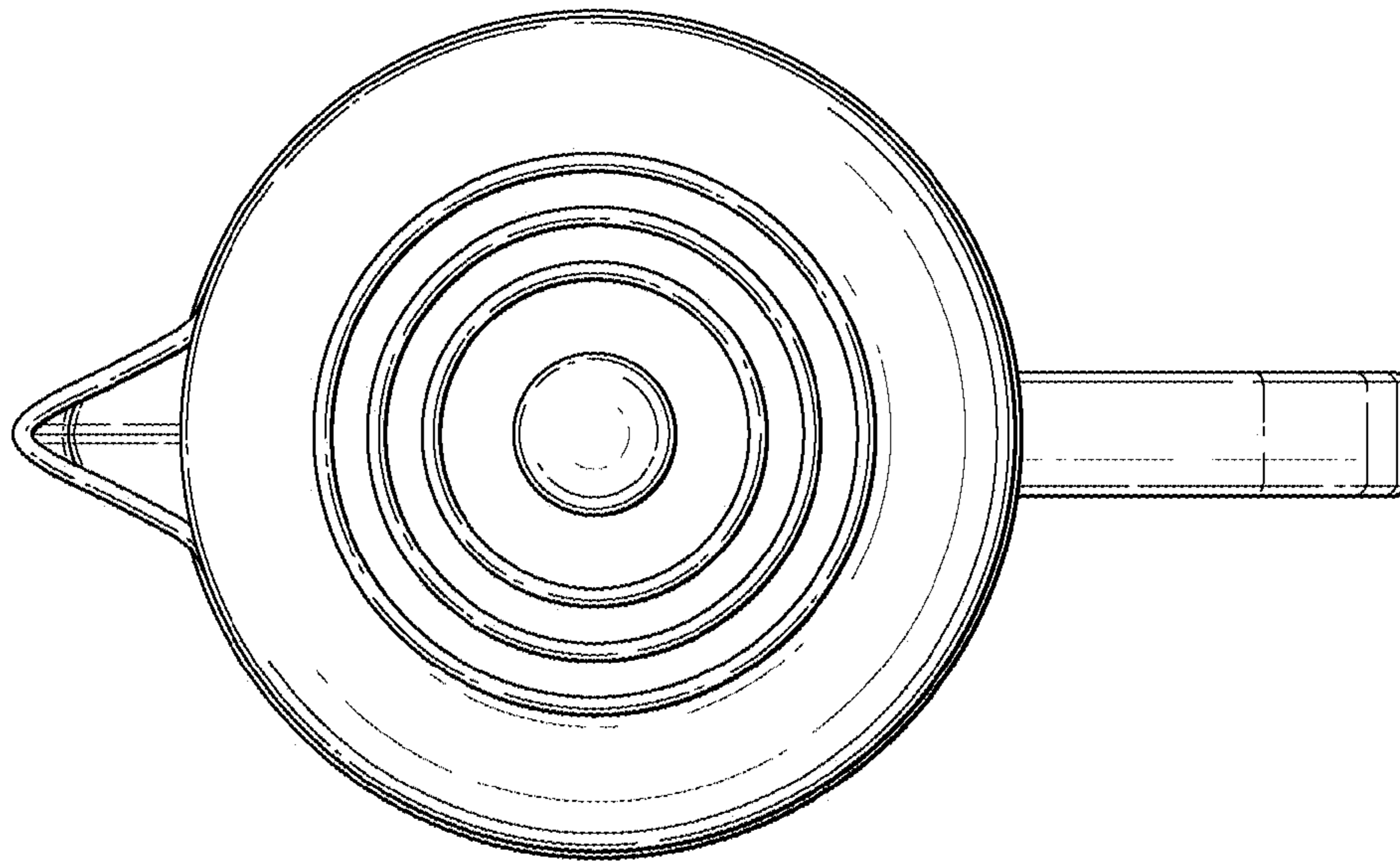


FIG. 6

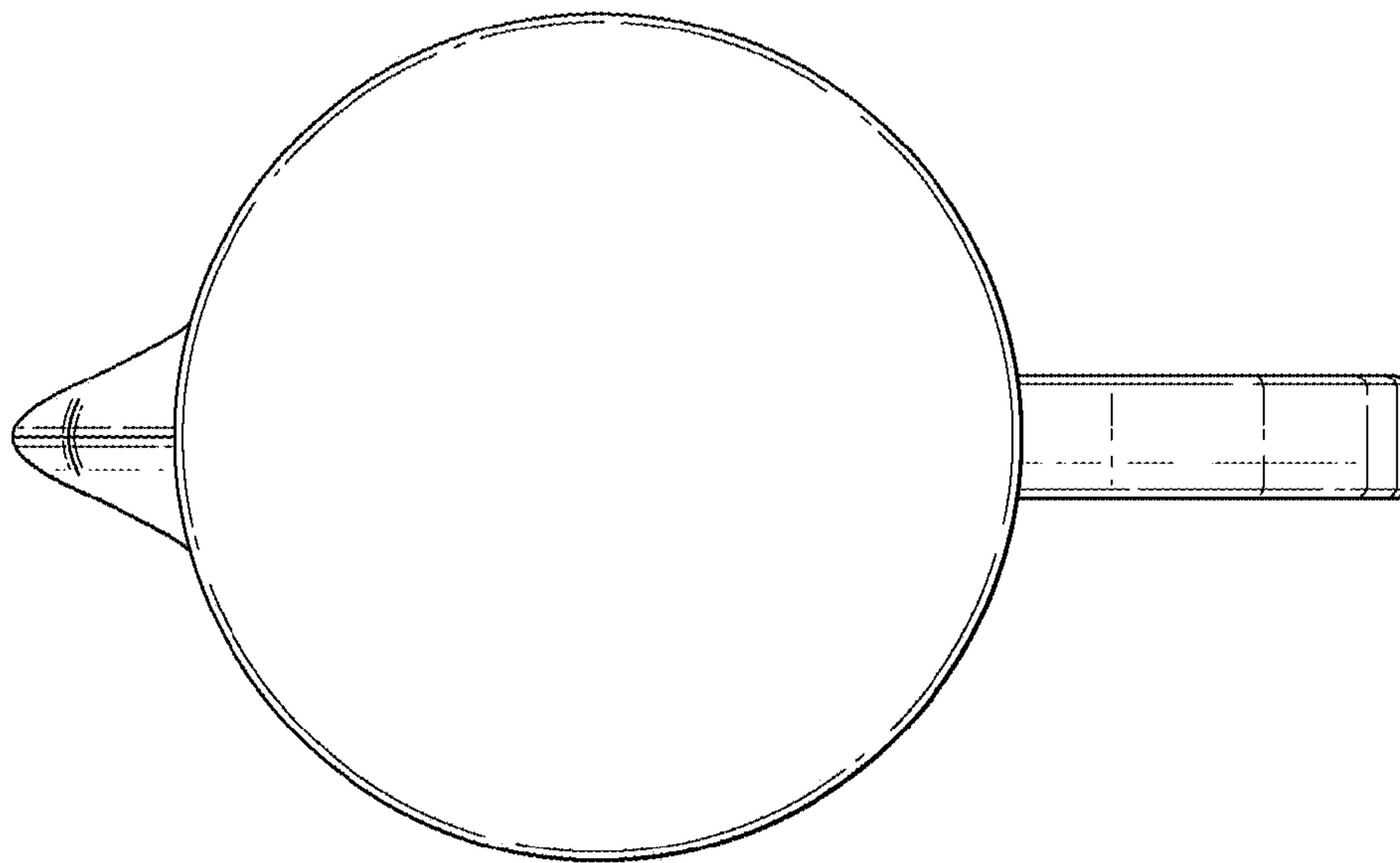


FIG. 7