



US00D683993S

(12) **United States Design Patent**
Malkiewicz et al.

(10) **Patent No.:** **US D683,993 S**
(45) **Date of Patent:** **** Jun. 11, 2013**

(54) **UNITARY FOAM BED RESILIENCY ELEMENT**

(76) Inventors: **James R. Malkiewicz**, Sacramento, CA (US); **Michael J. Malkiewicz**, Escondido, CA (US)

(**) Term: **14 Years**

(21) Appl. No.: **29/417,236**

(22) Filed: **Mar. 30, 2012**

(51) **LOC (9) Cl.** **06-06**

(52) **U.S. Cl.**
USPC **D6/606**

(58) **Field of Classification Search**
USPC D6/595, 596, 597, 601, 604, 710; 5/420, 5/630, 633, 636, 637, 645, 652-656, 655.9, 5/639, 644, 722, 723, 709, 281; 248/188.9
See application file for complete search history.

(56) **References Cited**

U.S. PATENT DOCUMENTS

2,434,641	A *	1/1948	Burns	267/117
2,744,283	A *	5/1956	Reineman	16/42 R
2,919,747	A *	1/1960	Post	428/102
3,251,076	A *	5/1966	Burke	428/116
4,246,214	A	1/1981	Osswald et al.		
4,605,582	A *	8/1986	Sias et al.	D6/601

D357,156	S *	4/1995	Wolfe	D6/596
6,551,450	B1 *	4/2003	Thomas et al.	5/654
D600,541	S	9/2009	Steppat et al.		
D606,794	S	12/2009	Steppat et al.		
8,037,564	B2 *	10/2011	Satoh et al.	5/723
2010/0218318	A1	9/2010	Steppat et al.		
2010/0268121	A1 *	10/2010	Kilborn	5/652

* cited by examiner

Primary Examiner — Janice Seeger

(74) *Attorney, Agent, or Firm* — Eric A. Hanscom; Todd J. Langford

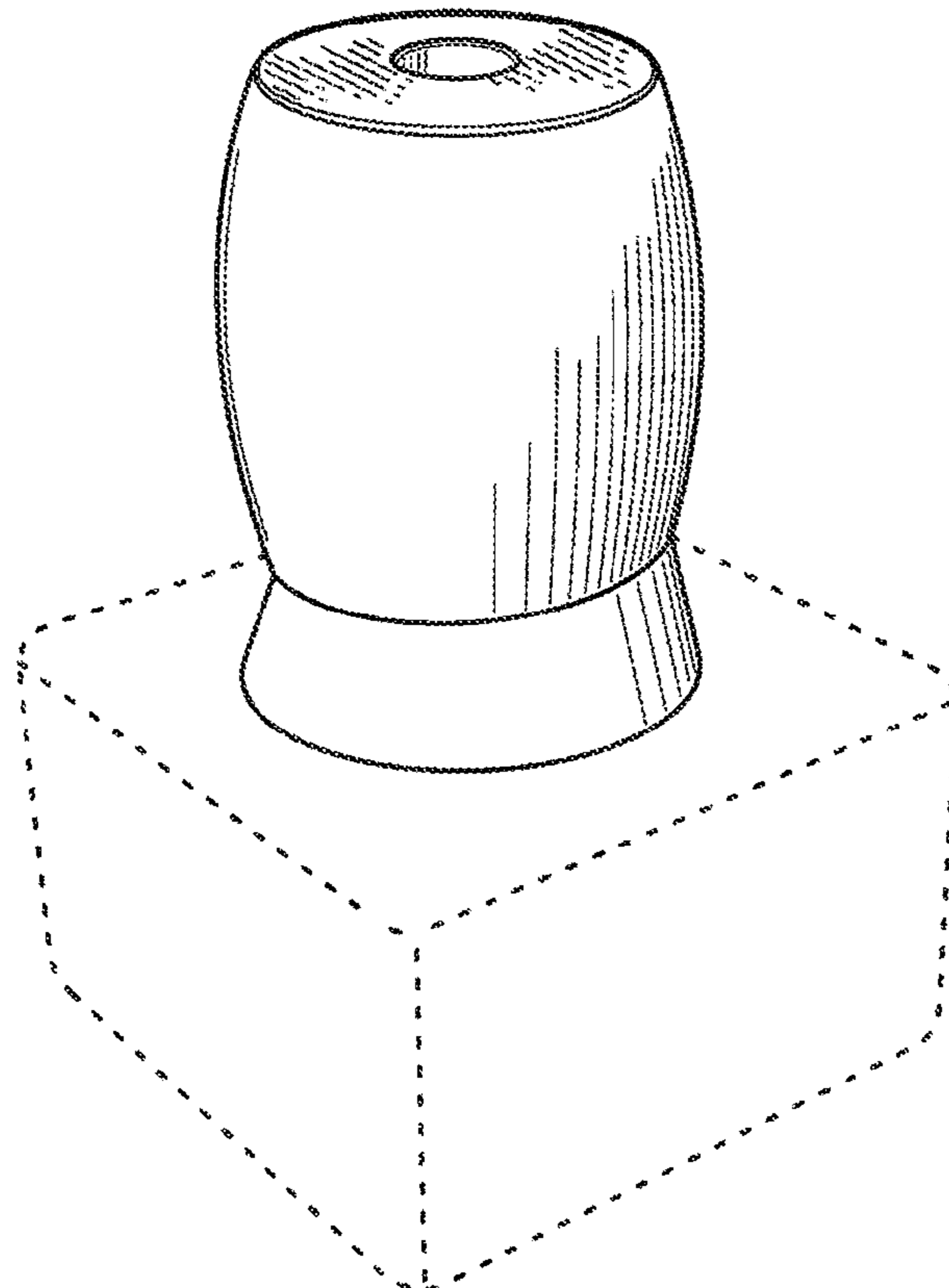
(57) **CLAIM**

The ornamental design for a unitary foam bed resiliency element, as shown and described.

DESCRIPTION

FIG. 1 is a top, front, left side perspective view of a unitary foam bed resiliency element of our new design. FIG. 2 is a bottom, right, back side perspective view thereof. FIG. 3 is a top plan view thereof. FIG. 4 is a bottom plan view thereof; and, FIG. 5 is a front side elevational view thereof, the back, right, and left side being an identical image thereof. The broken lines are for environmental purposes only and form no part of the claimed design.

1 Claim, 2 Drawing Sheets



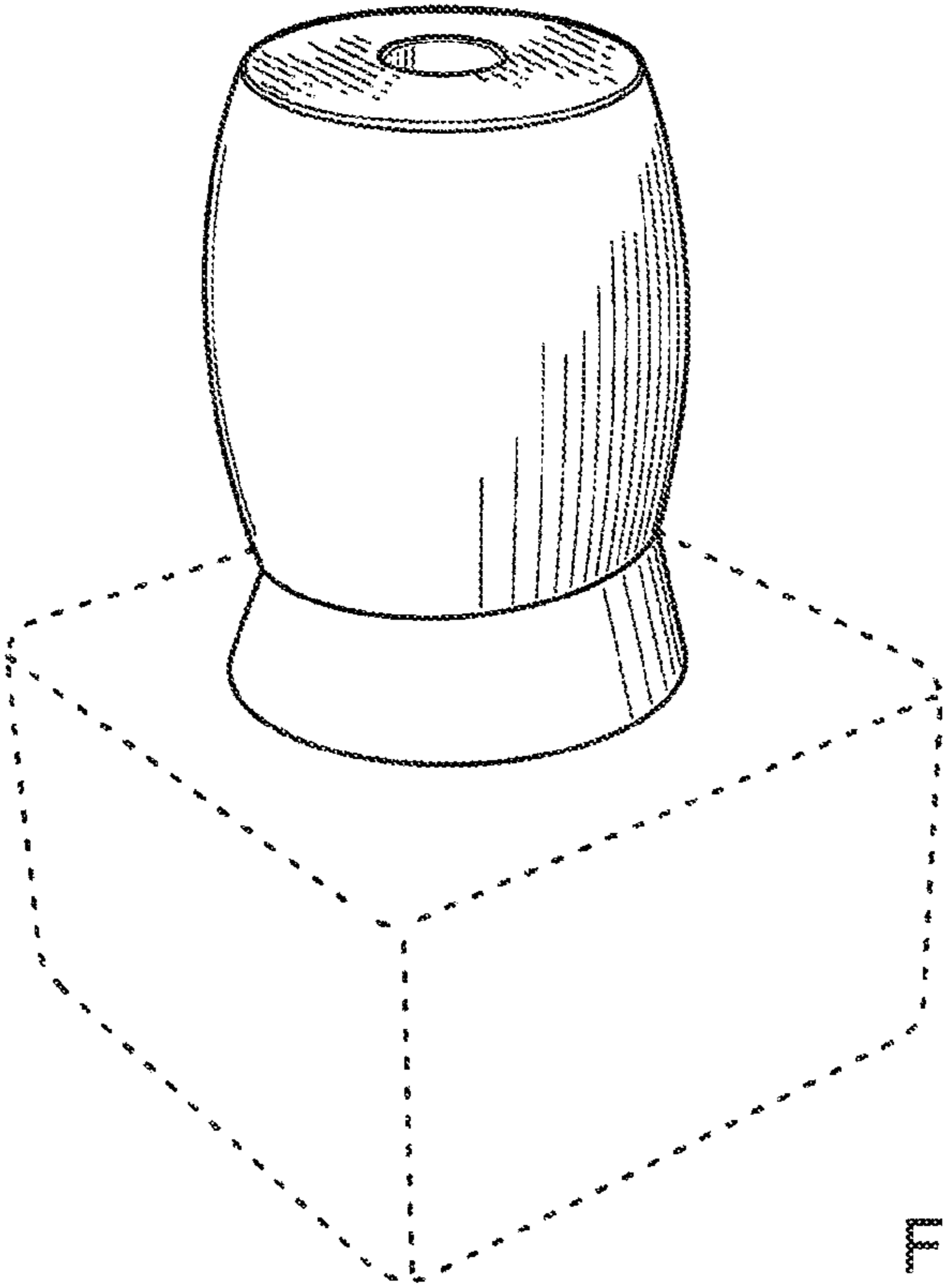


FIG. 1

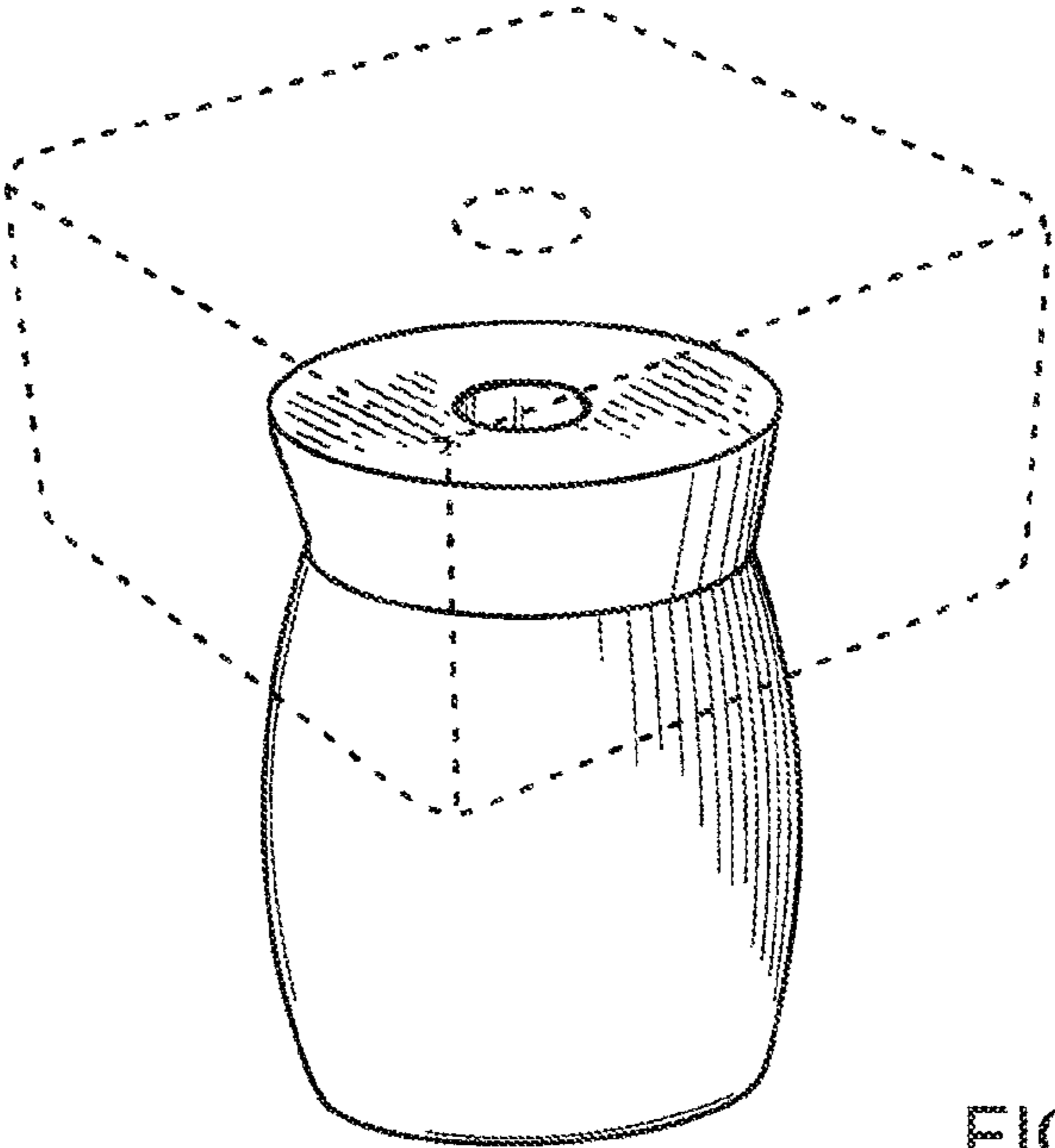


FIG. 2

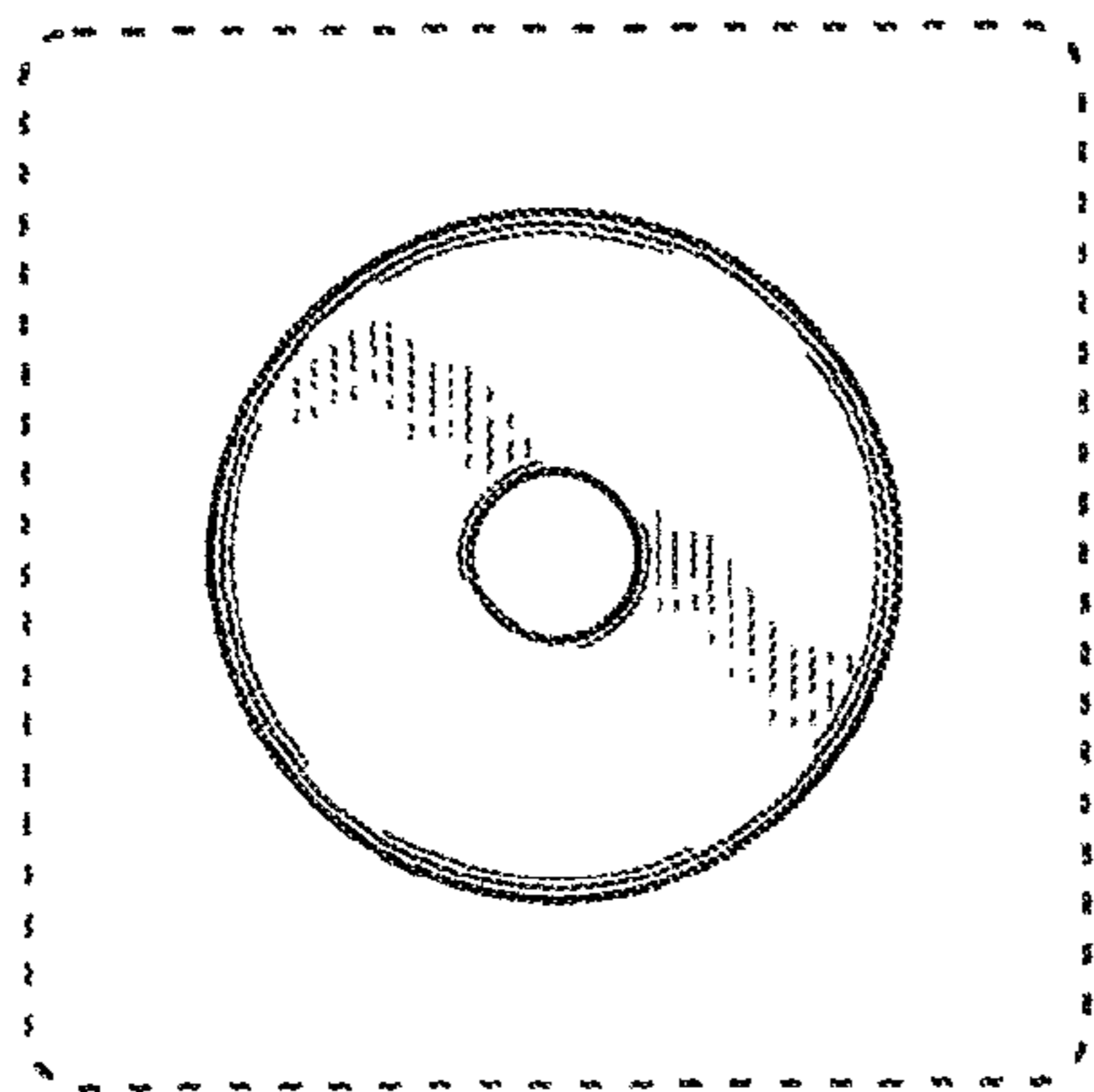


FIG. 3

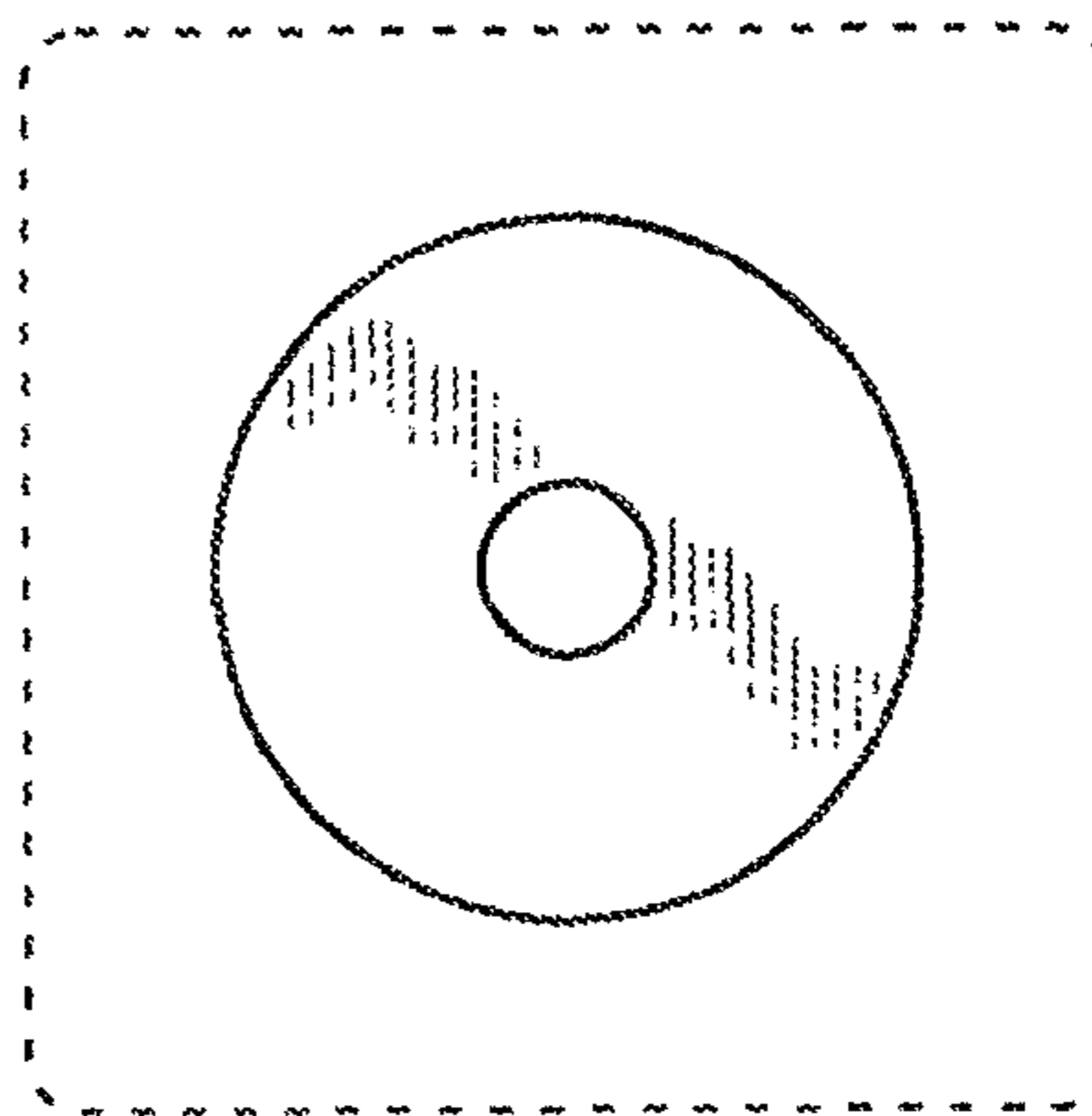


FIG. 4

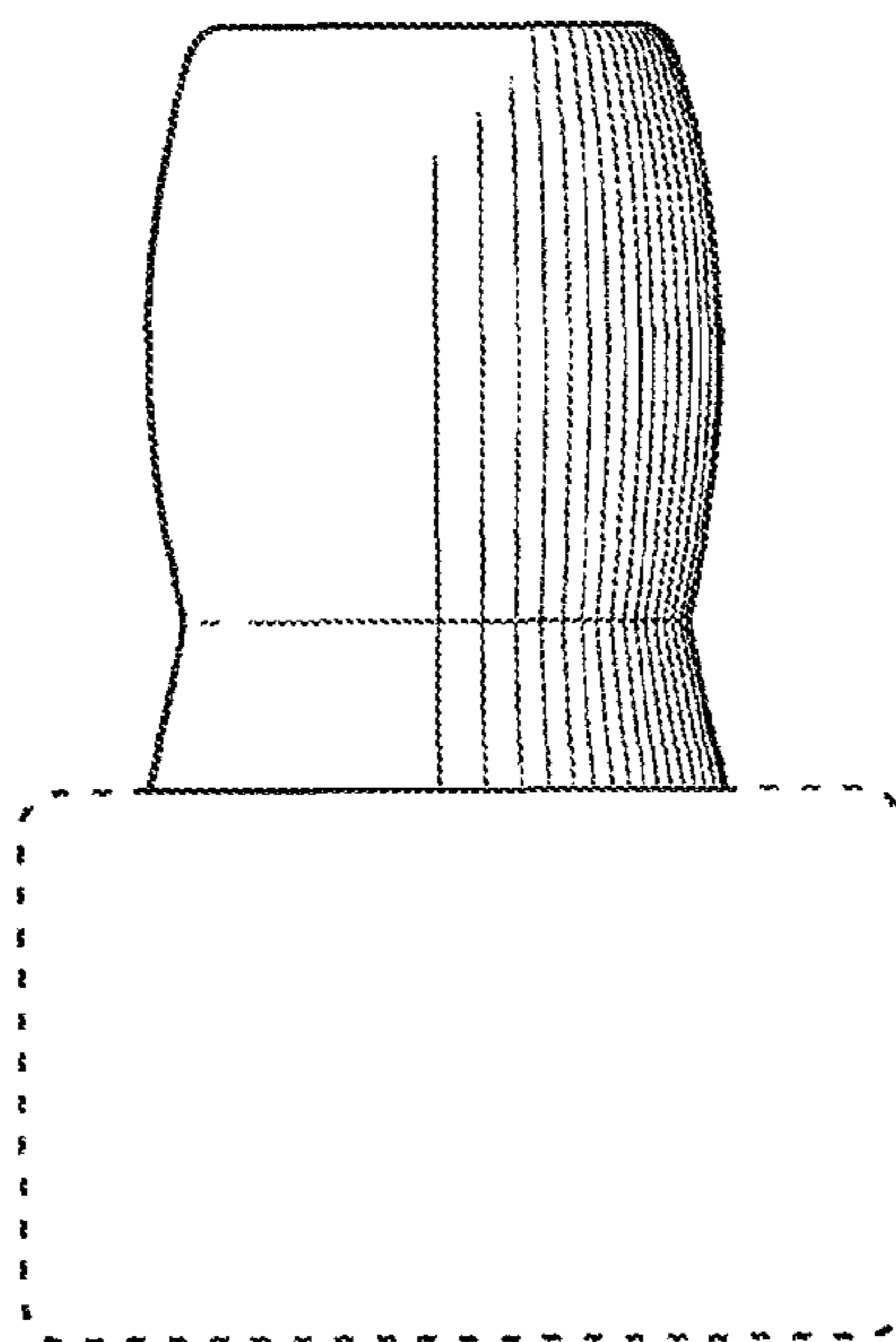


FIG. 5