



US00D683987S

(12) **United States Design Patent**
Bickler et al.

(10) **Patent No.:** **US D683,987 S**
(45) **Date of Patent:** **** Jun. 11, 2013**

(54) **TOILET TISSUE HOLDER**

(75) Inventors: **Marc Bickler**, Charlotte, NC (US);
Victor Hoernig, Lowell, IN (US);
Chia-Ying Lee, Chicago, IL (US)

(73) Assignee: **Brasstech, Inc.**, Santa Ana, CA (US)

(**) Term: **14 Years**

(21) Appl. No.: **29/418,773**

(22) Filed: **Apr. 20, 2012**

(51) **LOC (9) Cl.** **23-02**

(52) **U.S. Cl.**
USPC **D6/523**

(58) **Field of Classification Search**
USPC D6/518-524, 546-550; 108/28-29;
211/13.1, 16, 60.1, 86.01, 87.01, 88.01, 88.04,
211/100, 105.1, 105.2, 123, 181.1, 182;
248/175, 176.1, 251, 302; 16/110.1, 415;
242/570, 590, 595-598; D8/300, 303, 315-321

See application file for complete search history.

(56) **References Cited**

U.S. PATENT DOCUMENTS

| | | | |
|--------------|---------|----------------------|--------|
| D386,638 S * | 11/1997 | Fong | D6/518 |
| D432,829 S * | 10/2000 | Gastelum et al. | D6/523 |
| D452,397 S * | 12/2001 | Gilbert et al. | D6/518 |
| D576,435 S * | 9/2008 | Snell | D6/522 |
| D664,797 S * | 8/2012 | Kwok et al. | D6/523 |

* cited by examiner

Primary Examiner — Brian N Vinson

(74) *Attorney, Agent, or Firm* — Edgar A. Zarins; Nirav D. Parikh; Lora J. Graentzdoerffer

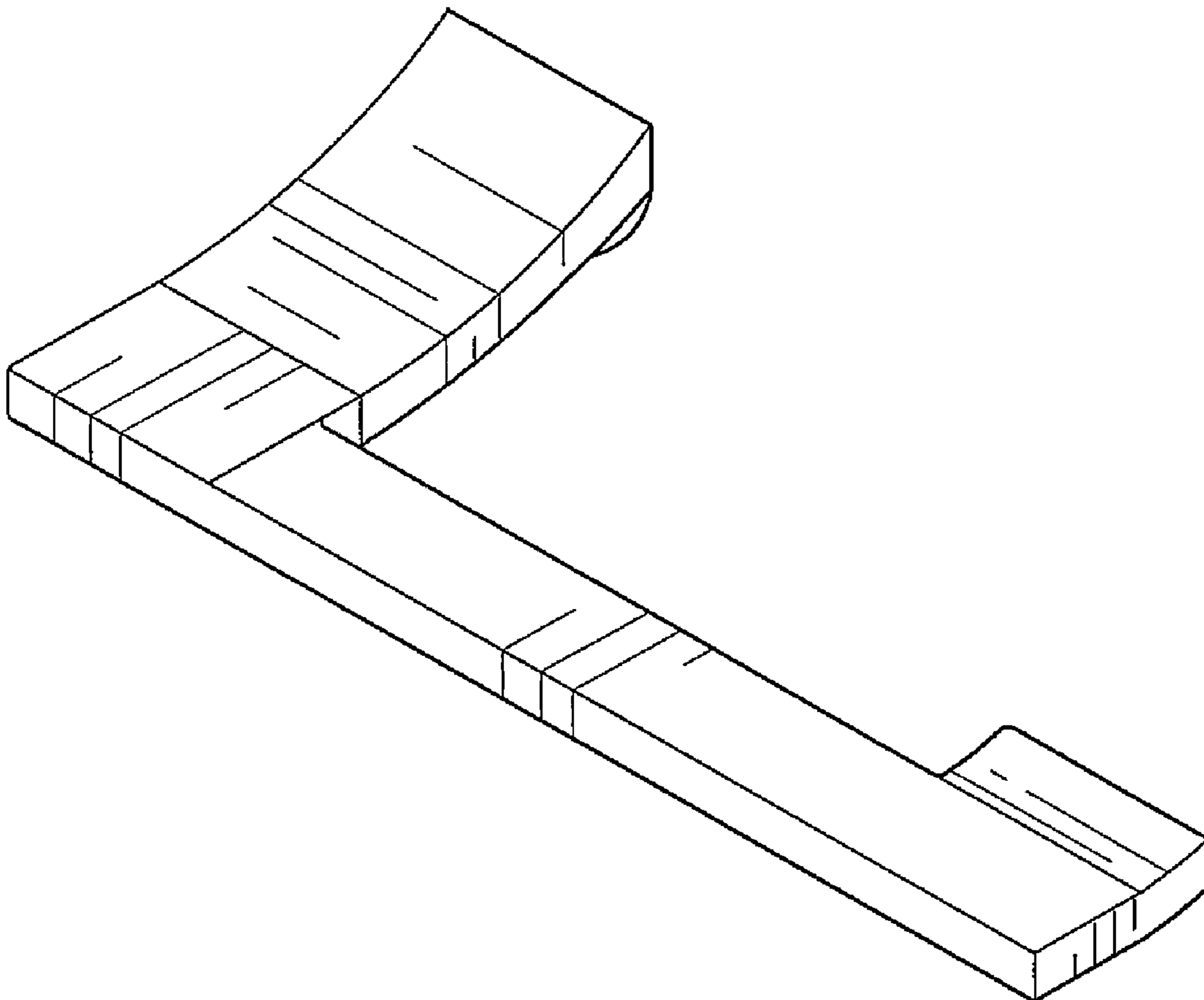
(57) **CLAIM**

The ornamental design for a toilet tissue holder, as shown and described.

DESCRIPTION

FIG. 1 is a perspective view of a toilet tissue holder showing our new design;
FIG. 2 is a first end view thereof;
FIG. 3 is a top view thereof; and,
FIG. 4 is a front view thereof.

1 Claim, 1 Drawing Sheet



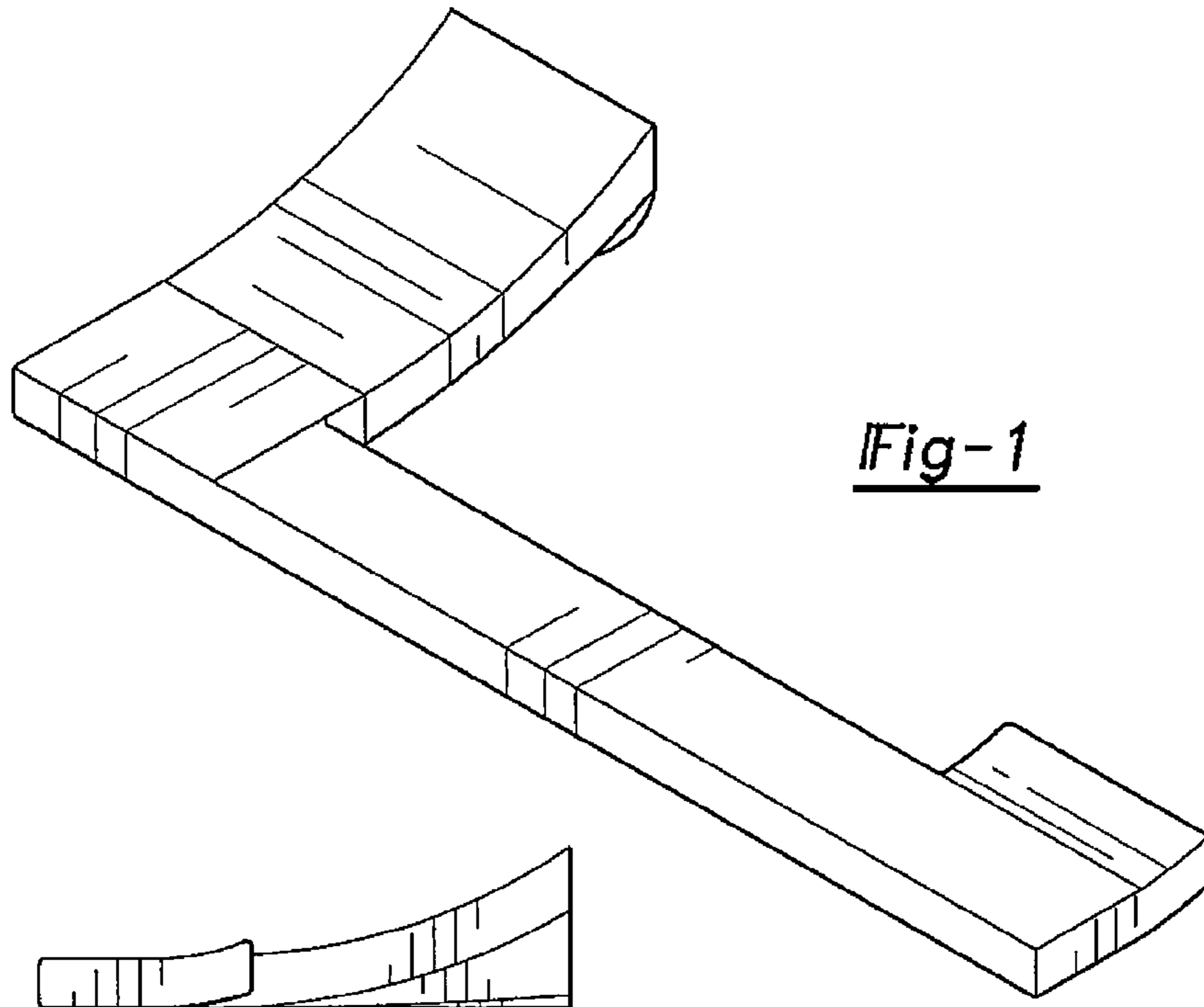


Fig-1

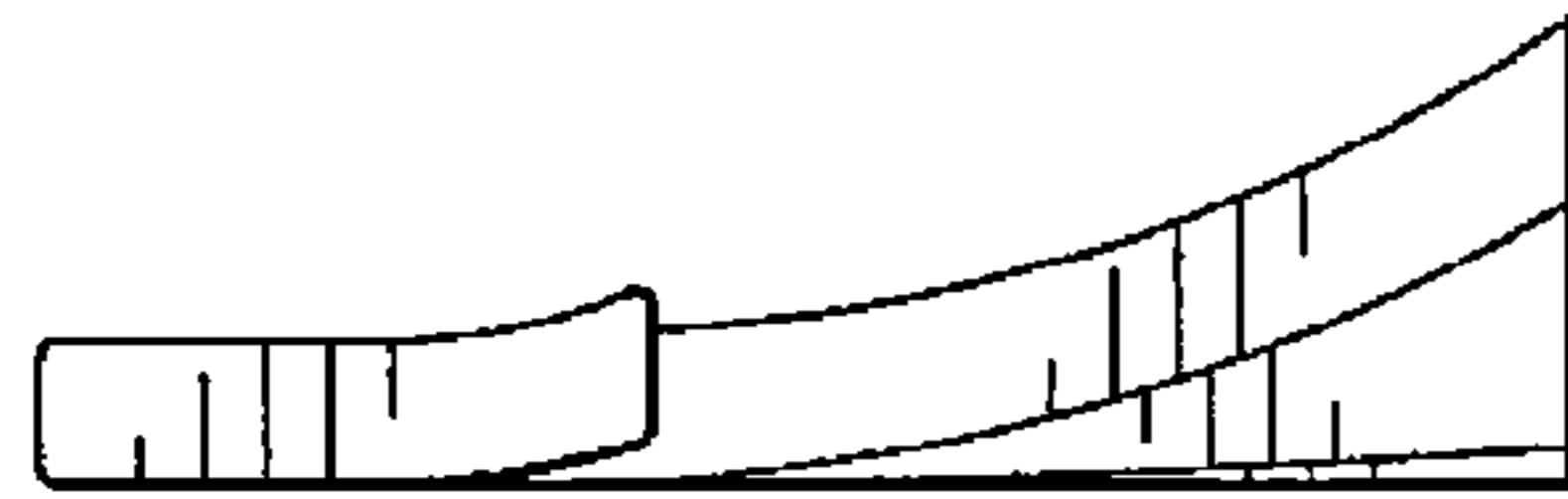


Fig-2

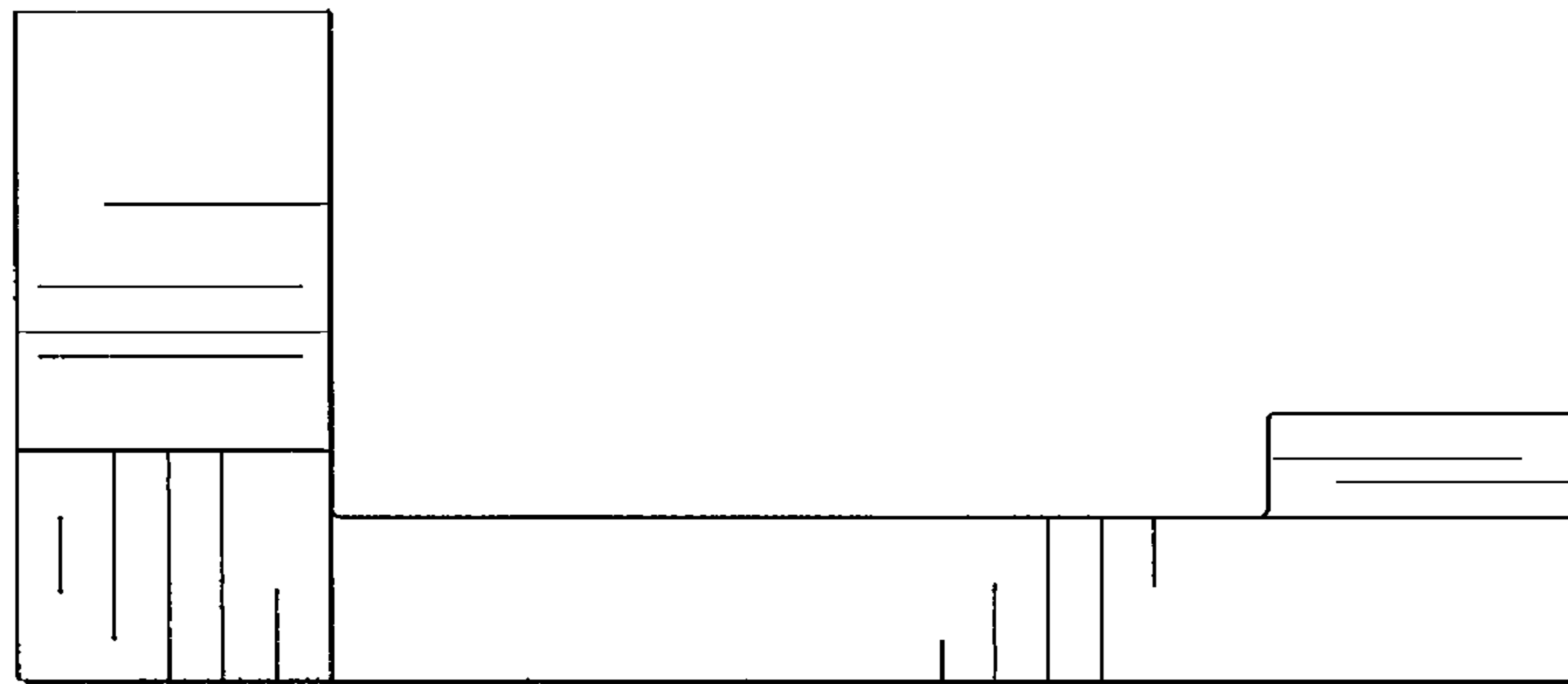


Fig-3



Fig-4