



US00D683986S

(12) **United States Design Patent**
Murphy

(10) **Patent No.:** **US D683,986 S**
(45) **Date of Patent:** **** Jun. 11, 2013**

(54) **ORGANIZER AND DISPENSER FOR PLASTIC ZIPPER STORAGE BAGS OR DISPOSABLE GLOVES**

(71) Applicant: **Segulah LLC**, Flushing, NY (US)
(72) Inventor: **Jeffrey R. Murphy**, Flushing, NY (US)

(**) Term: **14 Years**
(21) Appl. No.: **29/432,939**

(22) Filed: **Sep. 24, 2012**

Related U.S. Application Data

(62) Division of application No. 29/405,340, filed on Nov. 1, 2011, now Pat. No. Des. 670,517.

(51) **LOC (9) Cl.** **20-02**

(52) **U.S. Cl.**
USPC **D6/515**

(58) **Field of Classification Search**
USPC D6/515-523; 206/225, 233, 389, 206/391, 812, 824, 63.5; 211/13.1, 45; 222/173, 222/180; 221/16, 33, 282-283; 242/925, 242/570, 590; 248/309.1, 309.2, 905; D9/307, D9/521, 529, 419, 420; D3/20, 301; D28/66
See application file for complete search history.

(56) **References Cited**

U.S. PATENT DOCUMENTS

1,753,569 A 4/1930 Irving
D254,585 S 4/1980 LeCaire, Jr. et al.
D312,178 S 11/1990 Fautley
5,042,687 A 8/1991 McKinley
D339,943 S * 10/1993 Romme et al. D6/515

D364,298 S * 11/1995 Phifer D6/515
D389,681 S * 1/1998 Mullin D6/515
D392,482 S * 3/1998 Seenath D6/515
5,857,586 A 1/1999 Scherr
D437,167 S * 2/2001 Hardaway D6/570
D458,065 S * 6/2002 Christian D6/515
D482,915 S 12/2003 Yang et al.
D523,267 S 6/2006 Mays-Hobbs
D570,141 S * 6/2008 Snider D6/515
D570,142 S 6/2008 Lin
2003/0136793 A1 7/2003 Chen
2004/0040974 A1 3/2004 Chen
2007/0262082 A1 11/2007 Butcher

* cited by examiner

Primary Examiner — Brian N Vinson

(74) *Attorney, Agent, or Firm* — Hammer & Associates, P.C.

(57) **CLAIM**

The ornamental design for an organizer and dispenser for plastic zipper storage bags or disposable gloves, as shown and described.

DESCRIPTION

FIG. 1 is a perspective view of an organizer and dispenser for plastic zipper storage bags or disposable gloves showing my new design;

FIG. 2 is another perspective view thereof;

FIG. 3 is a front elevational view thereof;

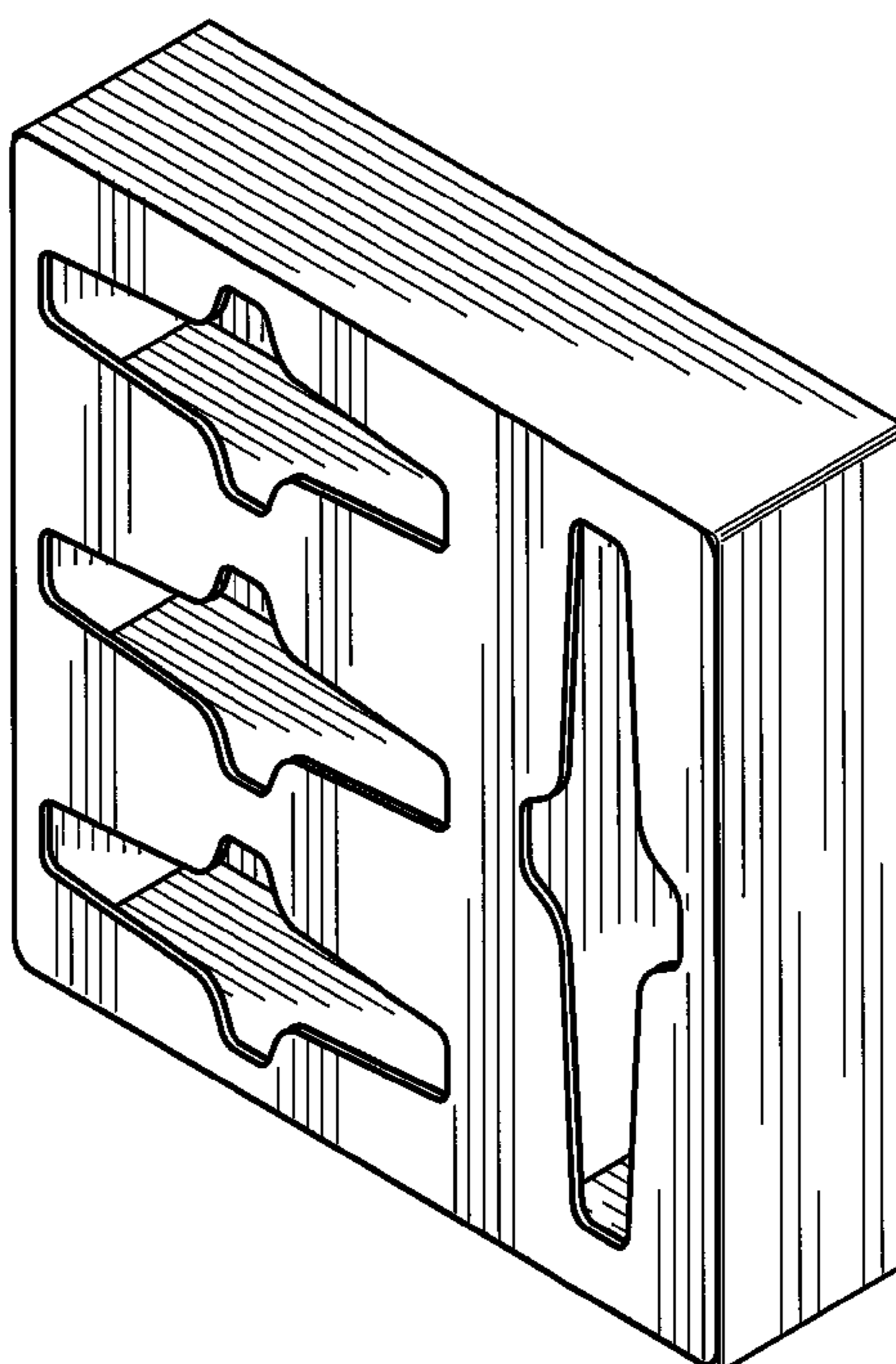
FIG. 4 is a rear elevational view thereof;

FIG. 5 is a lateral or top or bottom side plan view thereof;

FIG. 6 is a perspective view thereof, with the front face removed; and,

FIG. 7 is a front elevational view thereof, with the front face removed.

1 Claim, 7 Drawing Sheets



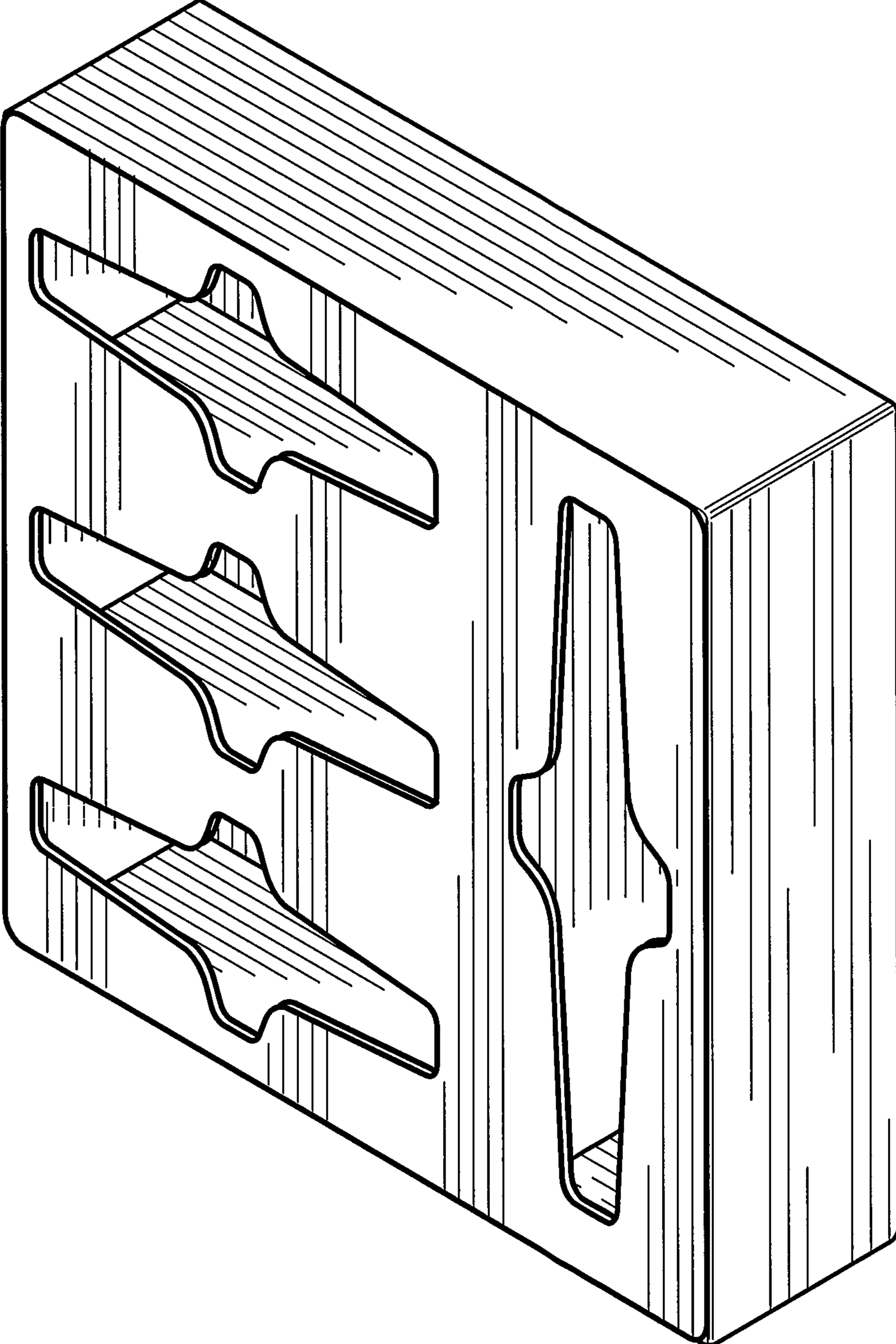


Fig. 1

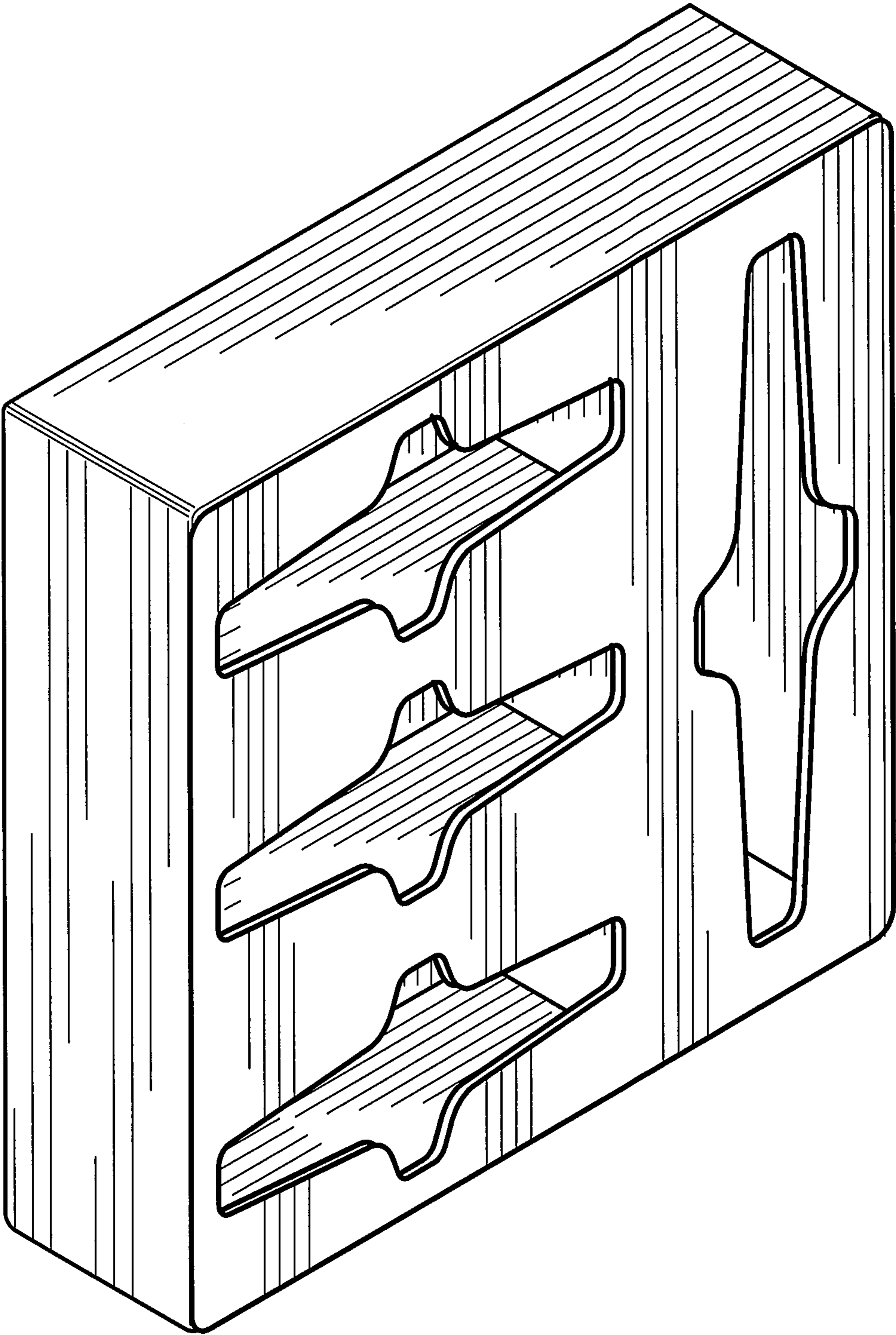


Fig. 2

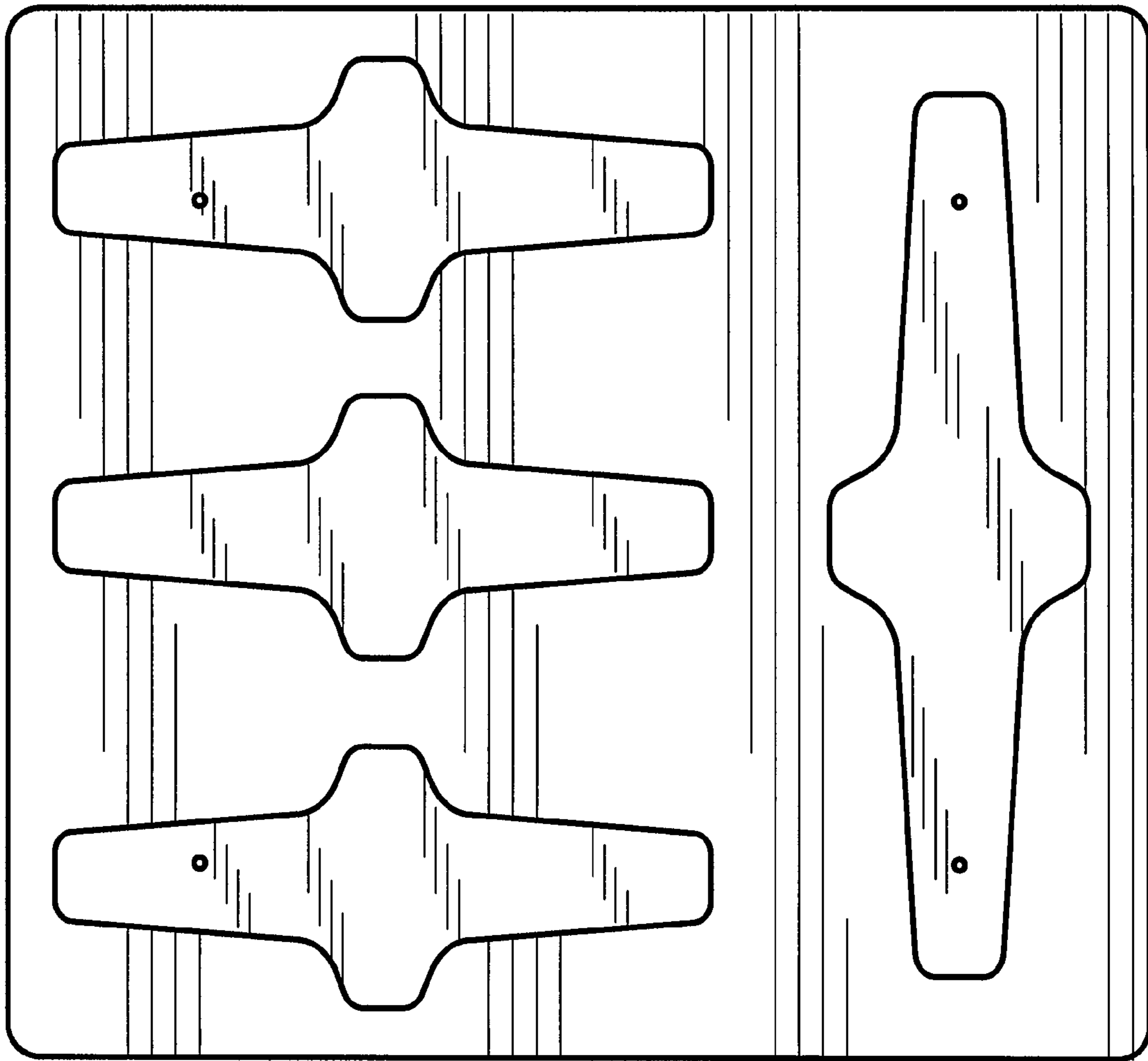


Fig. 3

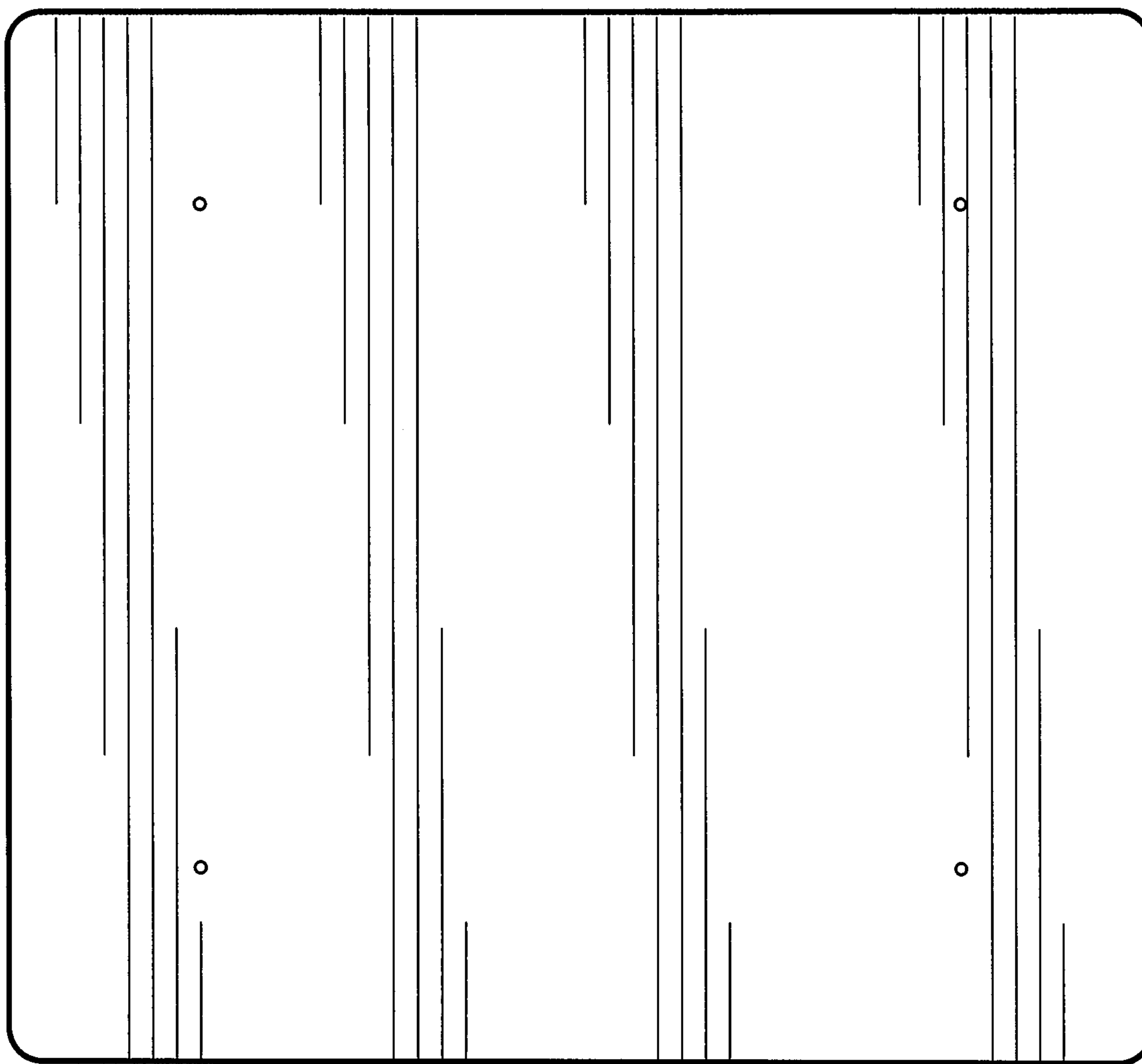


Fig. 4

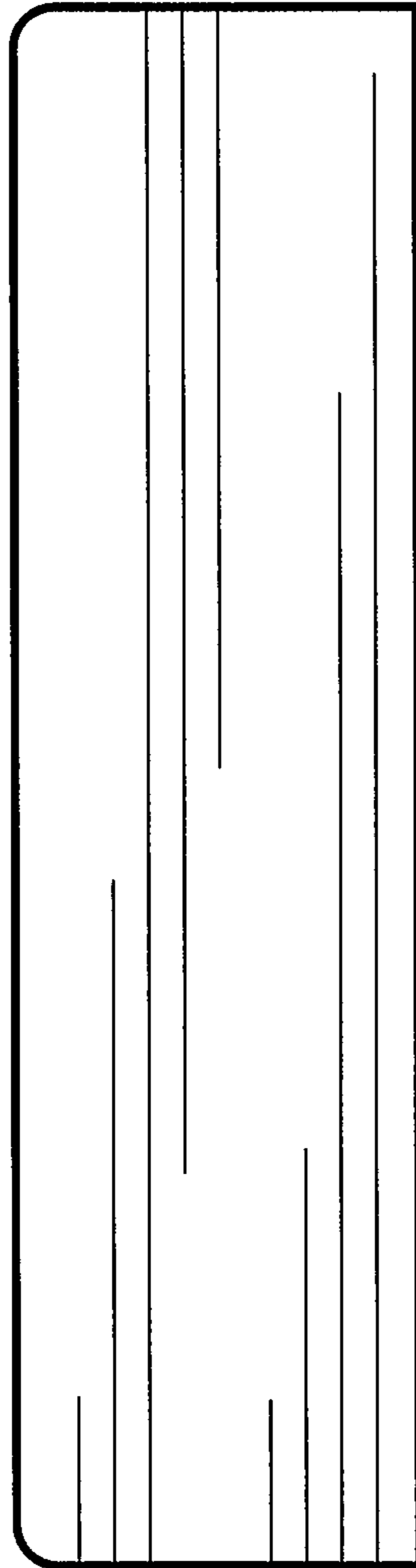


Fig. 5

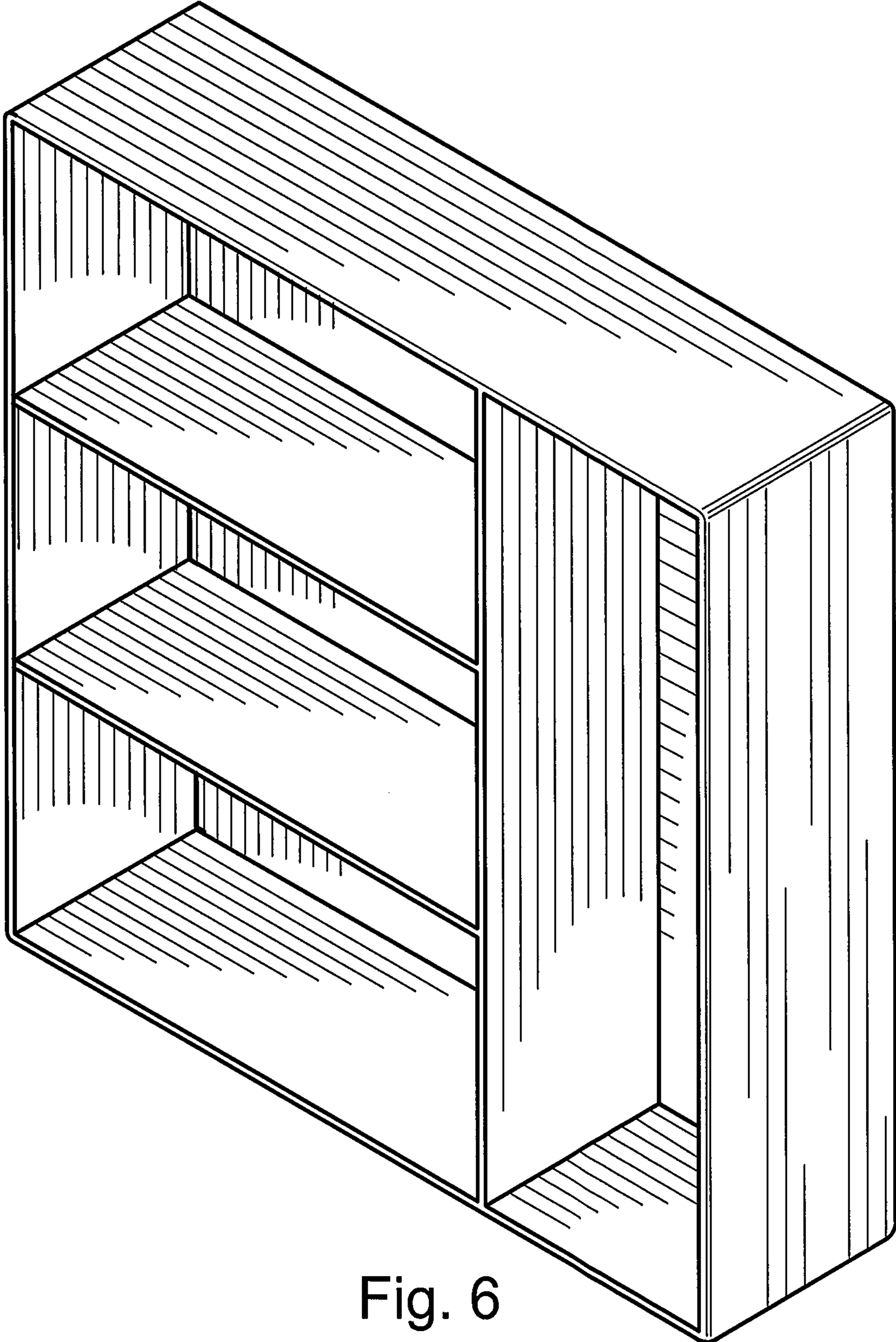


Fig. 6

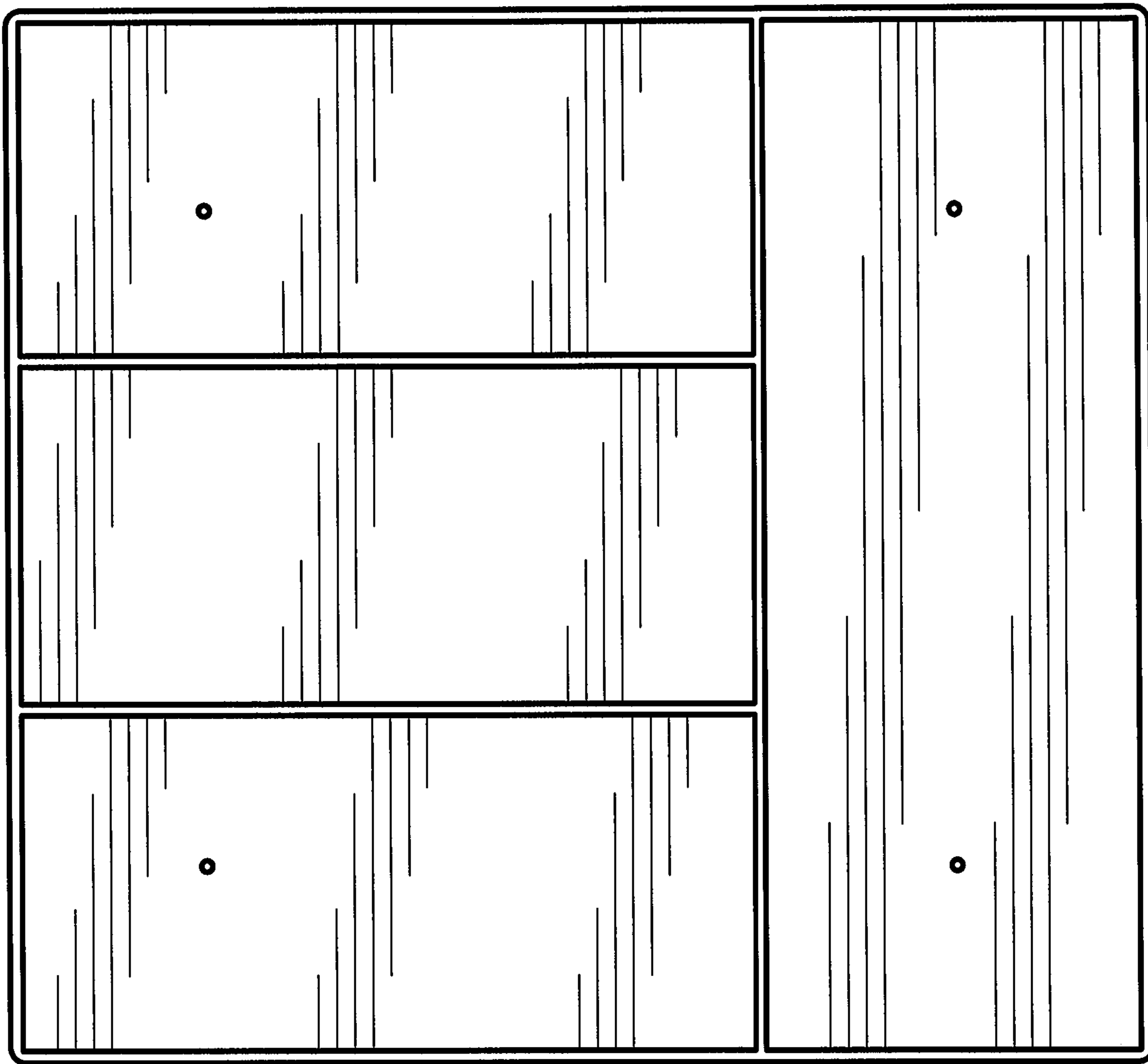


Fig. 7