



US00D683985S

(12) **United States Design Patent**
Nye et al.

(10) **Patent No.:** **US D683,985 S**
(45) **Date of Patent:** **** Jun. 11, 2013**

- (54) **TABLE TOP**
- (75) Inventors: **S. Curtis Nye**, North Clinton, UT (US);
Frank Clegg, Fruit Heights, UT (US)
- (73) Assignee: **Lifetime Products, Inc.**, Clearfield, UT (US)
- (**) Term: **14 Years**
- (21) Appl. No.: **29/412,781**
- (22) Filed: **Feb. 7, 2012**
- (51) **LOC (9) Cl.** **06-06**
- (52) **U.S. Cl.**
USPC **D6/511**
- (58) **Field of Classification Search**
USPC D6/480-489, 495-499, 511, 429-431;
108/153.1, 155, 156, 157.1, 161; D21/390;
D7/624.1, 388, 698
See application file for complete search history.

7,703,402	B2 *	4/2010	Larcom et al.	108/169
7,707,947	B2	5/2010	Winter et al.	
7,707,949	B2 *	5/2010	Larcom et al.	108/169
D619,831	S	7/2010	Branch	
7,757,617	B2	7/2010	Larcom et al.	
D640,487	S	6/2011	Bennett	
8,042,475	B2	10/2011	Larcom et al.	
2008/0264307	A1	10/2008	VanNimwegen et al.	
2009/0293778	A1	12/2009	Branch	

OTHER PUBLICATIONS

- U.S. Appl. No. 29/390,471, filed Apr. 25, 2011, Winter et al.
- U.S. Appl. No. 29/391,721, filed May 12, 2011, Bennett.
- U.S. Appl. No. 29/400,986, filed Sep. 5, 2011, Clegg et al.
- U.S. Appl. No. 29/403,327, filed Oct. 4, 2011, Winter et al.
- U.S. Appl. No. 29/403,330, filed Oct. 4, 2011, Clegg et al.

(Continued)

Primary Examiner — Janice Seeger
(74) *Attorney, Agent, or Firm* — Maschoff Brennan

(57) **CLAIM**
The ornamental design for a table top, as shown and described.

DESCRIPTION

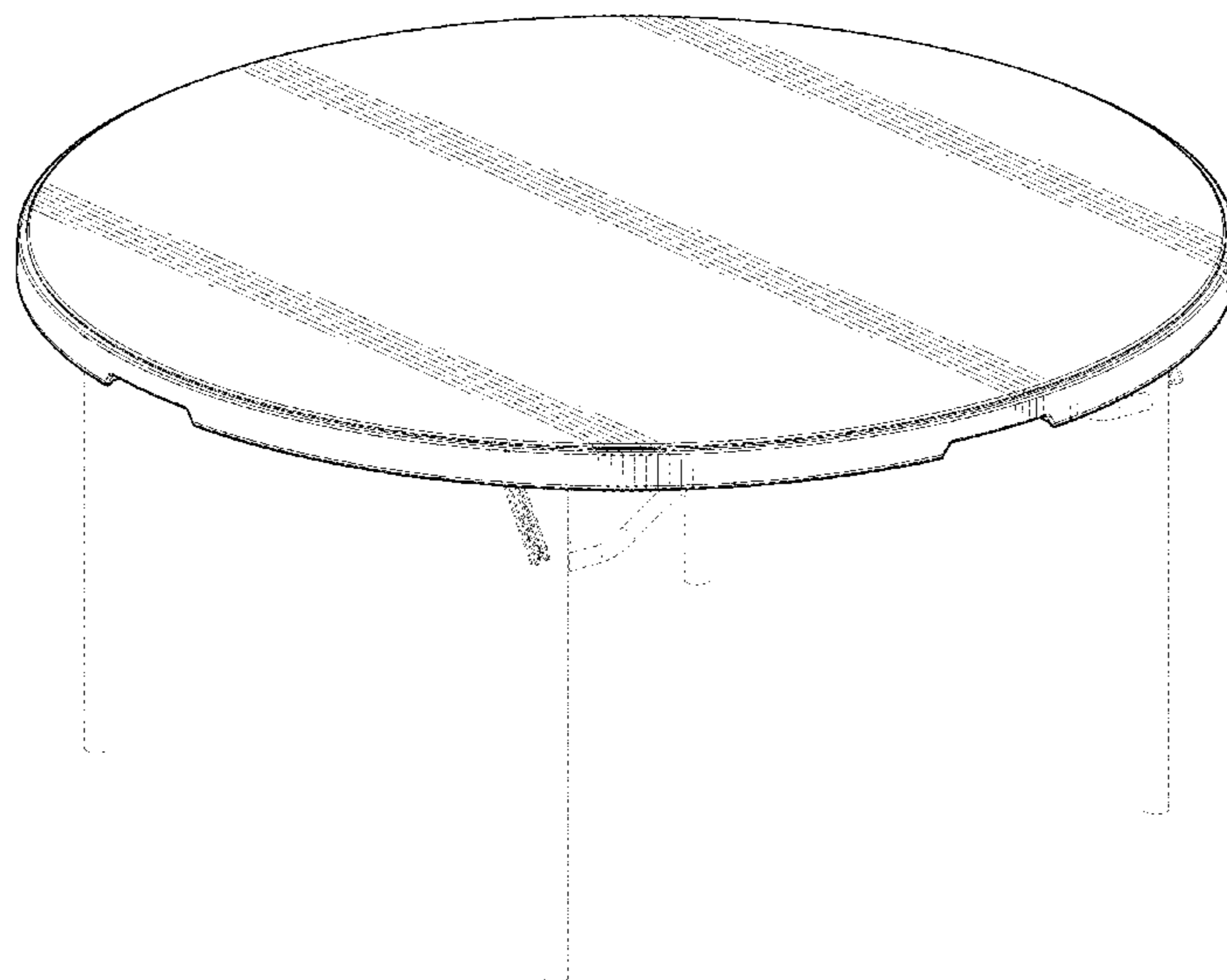
FIG. 1 is an upper perspective view of an exemplary table top; FIG. 2 is a rear view of the table top shown in FIG. 1; FIG. 3 is a left side view of the table top shown in FIG. 1; FIG. 4 is a top view of the table top shown in FIG. 1; FIG. 5 is a right side view of the table top shown in FIG. 1; and, FIG. 6 is a front view of the table top shown in FIG. 1. The bottom of the table, not shown, forms no part of the claimed design. The broken lines shown in the figures are for illustrative purposes only and form no part of the claimed design.

1 Claim, 2 Drawing Sheets

(56) **References Cited**

U.S. PATENT DOCUMENTS

D357,144	S *	4/1995	Hand	D6/480
5,678,491	A *	10/1997	Price et al.	108/115
D414,626	S	10/1999	Collins et al.	
D424,838	S *	5/2000	Newhouse	D6/480
D424,840	S *	5/2000	Newhouse	D6/484
D468,135	S	1/2003	Ashby et al.	
D471,384	S *	3/2003	Sabo et al.	D6/480
D476,823	S *	7/2003	Jackson	D6/429
D477,475	S *	7/2003	Moore	D6/487
D487,205	S	3/2004	Mower et al.	
D489,557	S	5/2004	Strong et al.	
D499,283	S	12/2004	Winter et al.	
D511,637	S	11/2005	Strong	
D511,913	S	11/2005	Kearl et al.	
7,299,753	B2	11/2007	Strong	

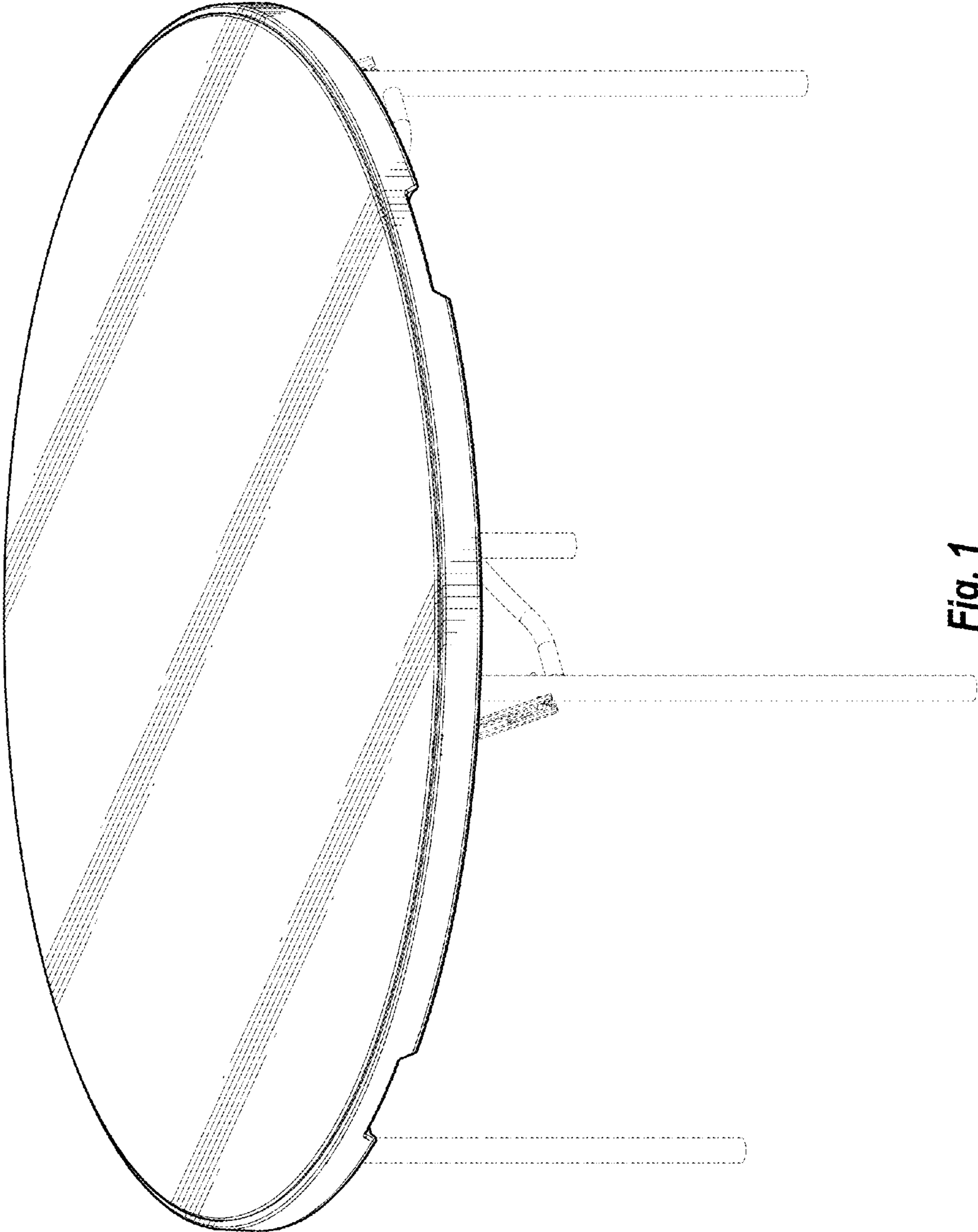


OTHER PUBLICATIONS

U.S. Appl. No. 29/403,313, filed Oct. 4, 2011, Clegg et al.
U.S. Appl. No. 29/403,332, filed Oct. 4, 2011, Winter et al.
U.S. Appl. No. 29/411,483, filed Jan. 20, 2012, Winter et al.

U.S. Appl. No. 29/412,786, filed Feb. 7, 2012, Nye et al.
U.S. Appl. No. 29/415,705, filed Mar. 13, 2012, Johnson et al.
U.S. Appl. No. 29/417,529, filed Apr. 4, 2012, Winter et al.

* cited by examiner



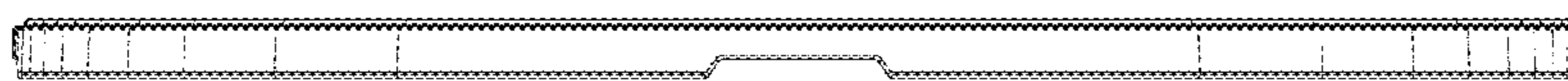


Fig. 2

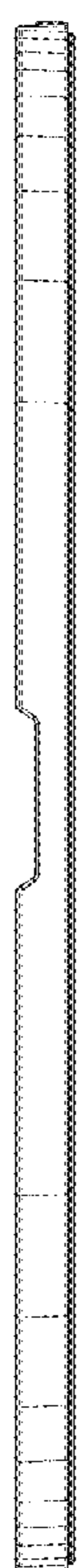


Fig. 3

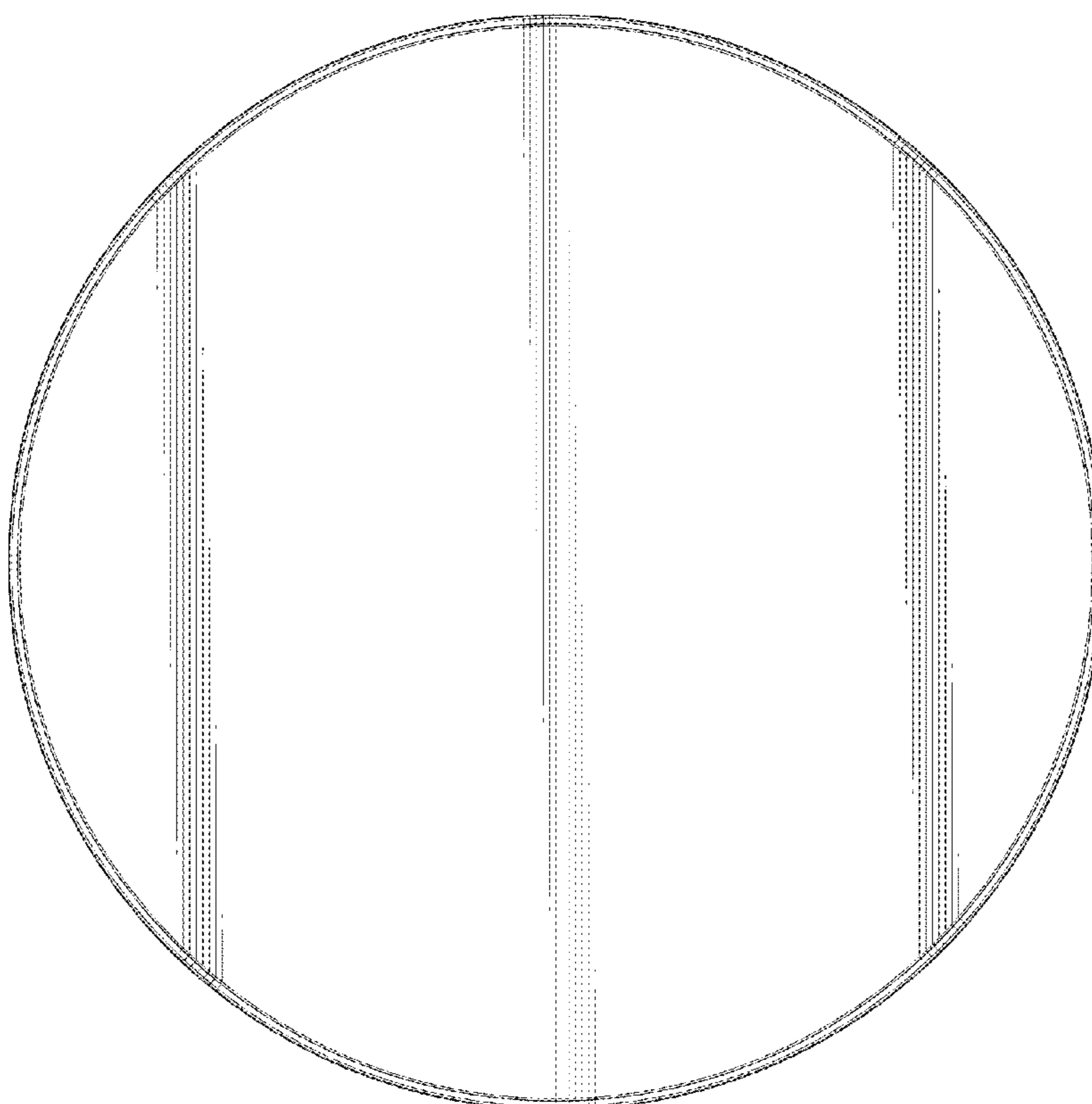


Fig. 4

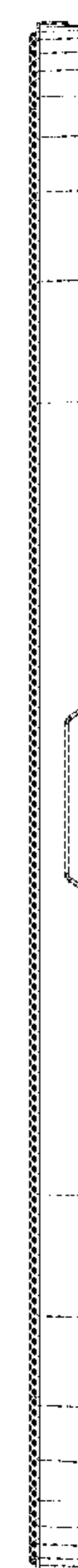


Fig. 5

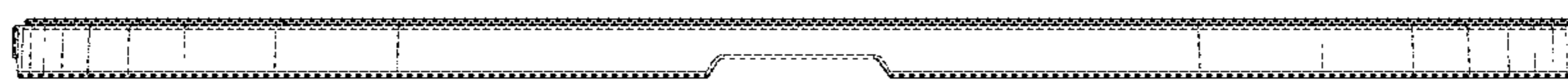


Fig. 6