



US00D683981S

(12) **United States Design Patent**
Elliott et al.

(10) **Patent No.:** **US D683,981 S**
(45) **Date of Patent:** **** Jun. 11, 2013**

(54) **COMPUTER WORK STATION FOR A HOTEL LOBBY**

(75) Inventors: **Gavin Elliott**, Amsterdam (NL); **Ian Hendricks**, Amsterdam (NL); **George Gottl**, Amsterdam (NL); **Oliver Michell**, Amsterdam (NL); **Jackie Ball**, Amsterdam (NL)

(73) Assignee: **Six Continents Hotels, Inc.**, Atlanta, GA (US)

(**) Term: **14 Years**

(21) Appl. No.: **29/414,291**

(22) Filed: **Feb. 27, 2012**

(51) **LOC (9) Cl.** **06-03**

(52) **U.S. Cl.**
USPC **D6/422**

(58) **Field of Classification Search**
USPC D6/397, 402, 481, 421, 422, 423,
D6/426, 486, 432; D25/26; 312/239, 194,
312/196, 198, 140.1, 140.2

See application file for complete search history.

(56) **References Cited**

U.S. PATENT DOCUMENTS

D198,797	S	*	8/1964	Platner	D6/422
D250,159	S	*	11/1978	Pool et al.	D6/421
D250,239	S	*	11/1978	Pool et al.	D6/421
D265,617	S	*	8/1982	Saurage et al.	D6/481
D273,618	S	*	4/1984	Elliott	D25/1
D333,221	S	*	2/1993	Wurst	D6/486
D572,500	S	*	7/2008	Franco	D6/426

* cited by examiner

Primary Examiner — Janice Seeger

(74) *Attorney, Agent, or Firm* — Kilpatrick Townsend & Stockton LLP

(57) **CLAIM**

The ornamental design for computer work station for a hotel lobby, as shown and described.

DESCRIPTION

FIG. 1 is a perspective view of a computer work station for a hotel lobby showing our new design; FIG. 2 is a front elevational view thereof; FIG. 3 is a rear elevational view thereof; FIG. 4 is a left side elevational view thereof; and, FIG. 5 is a right side elevational view thereof.

1 Claim, 3 Drawing Sheets

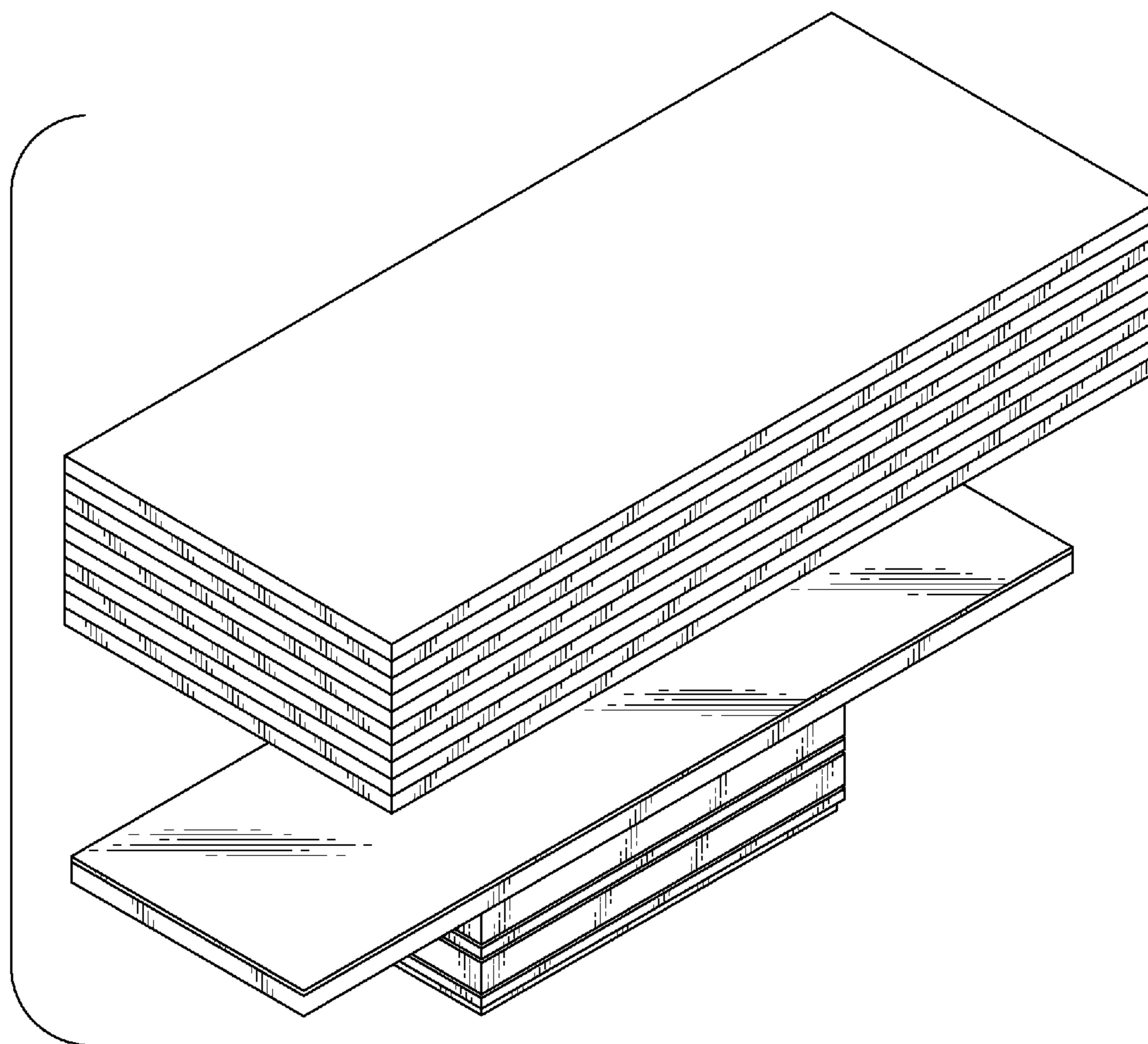


FIG. 1

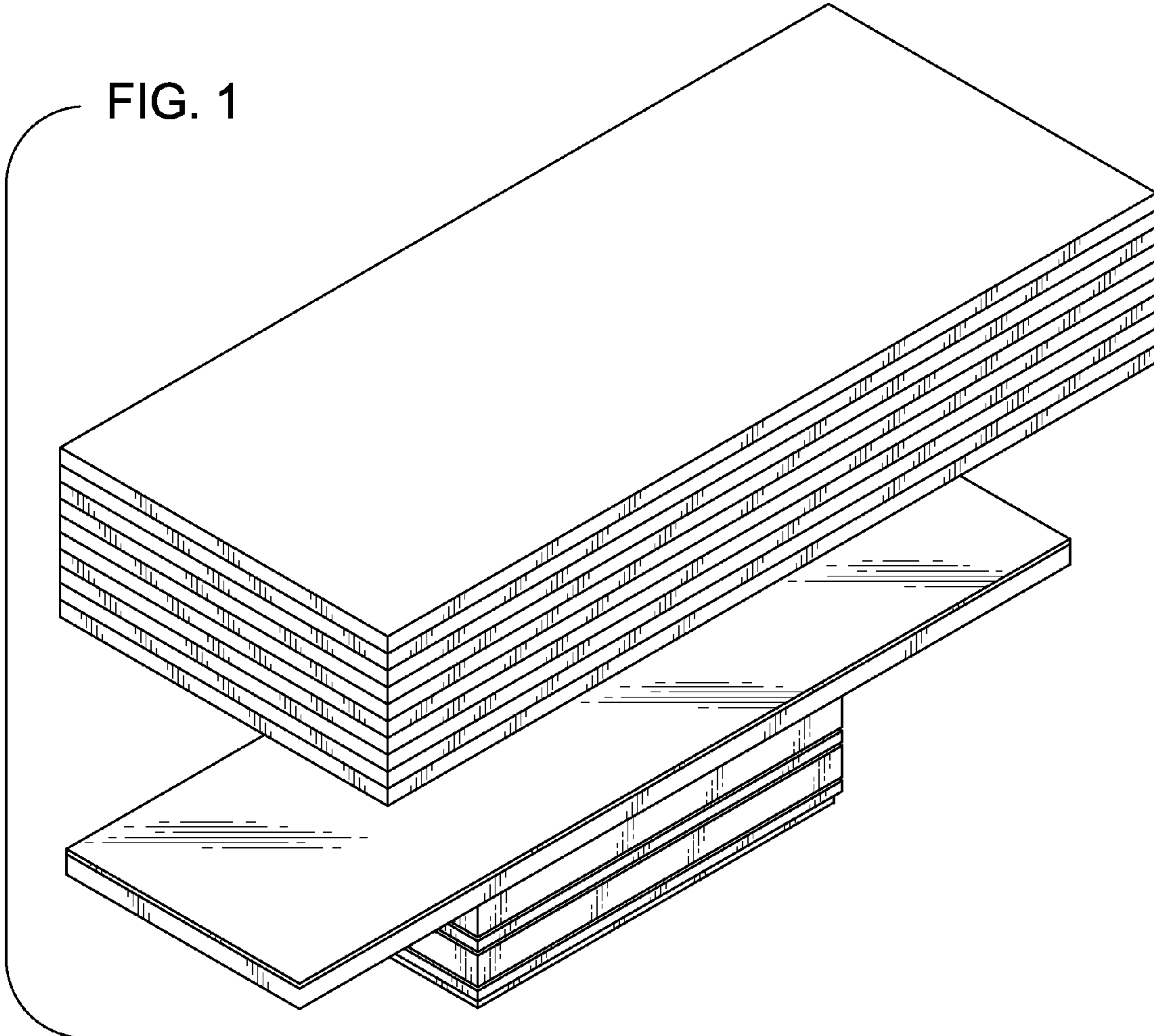


FIG. 2

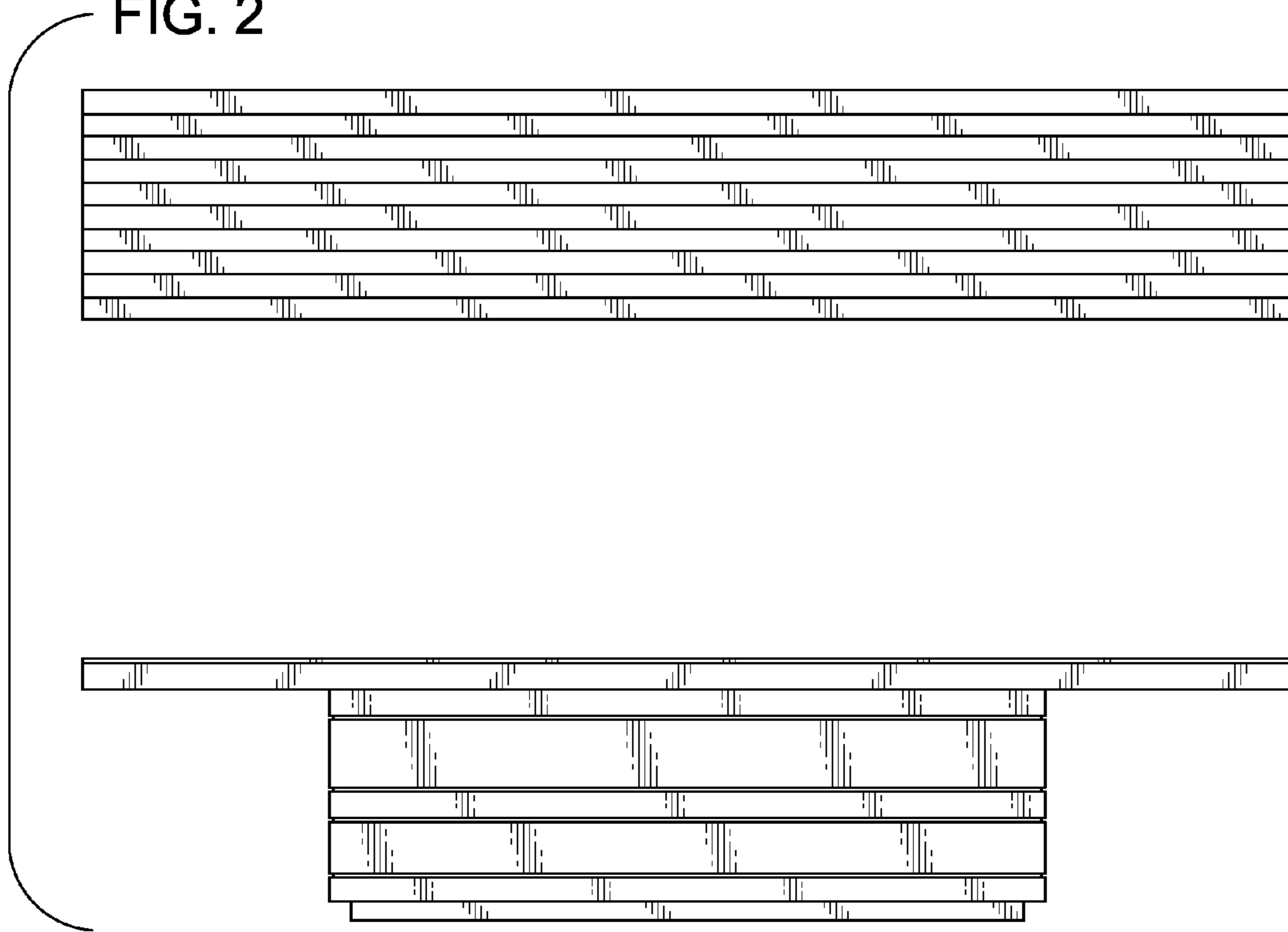


FIG. 3

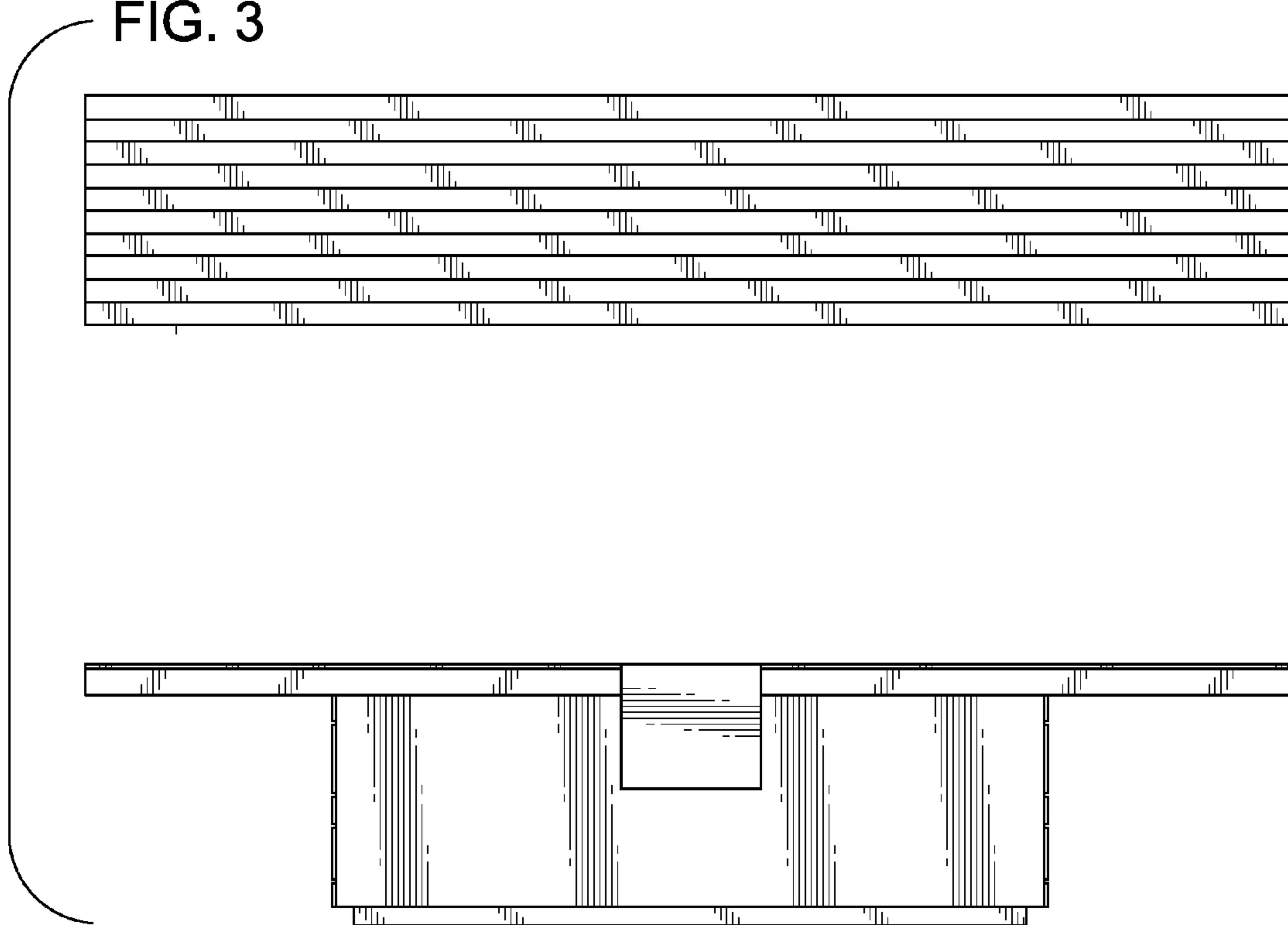


FIG. 4

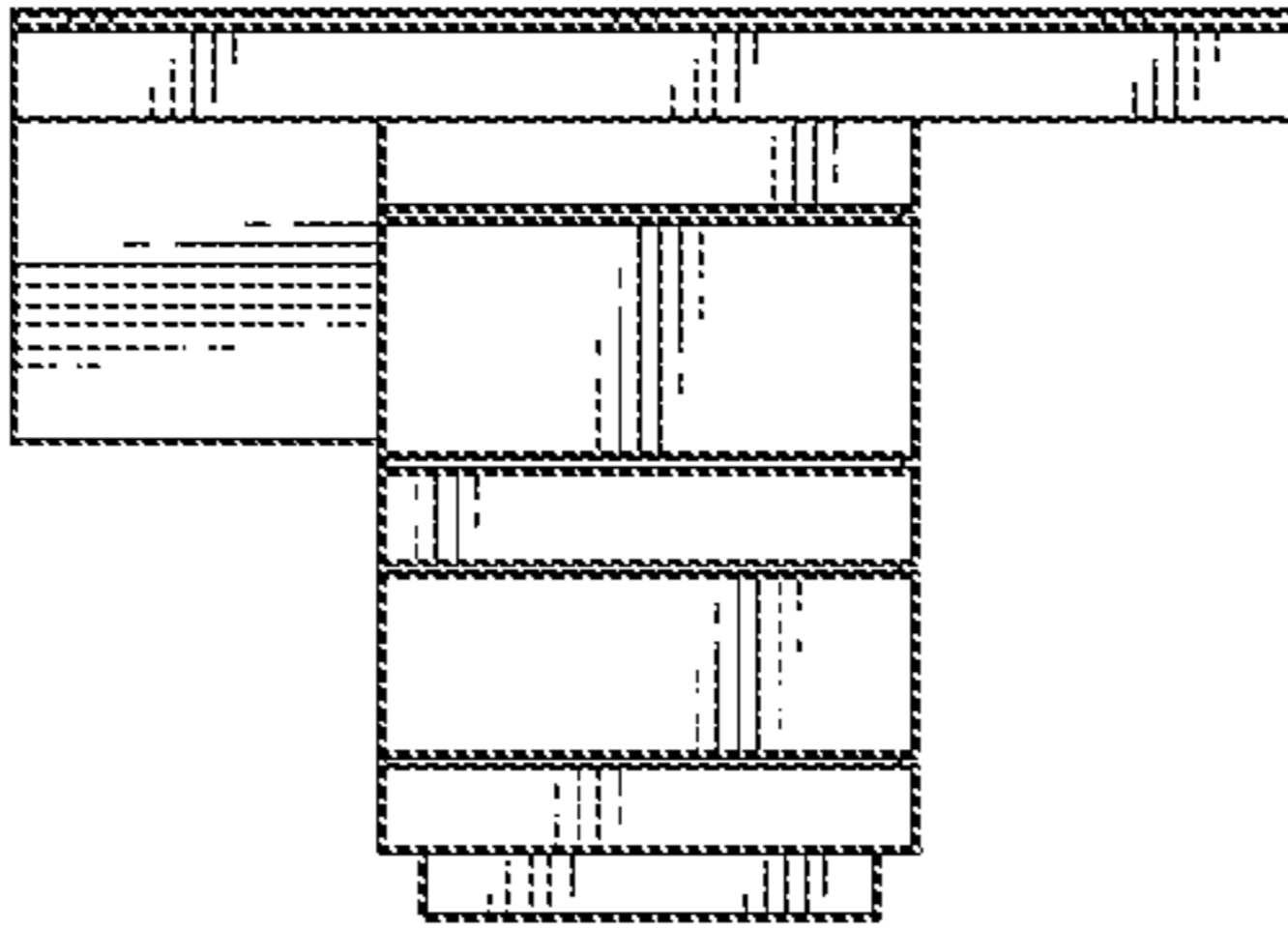
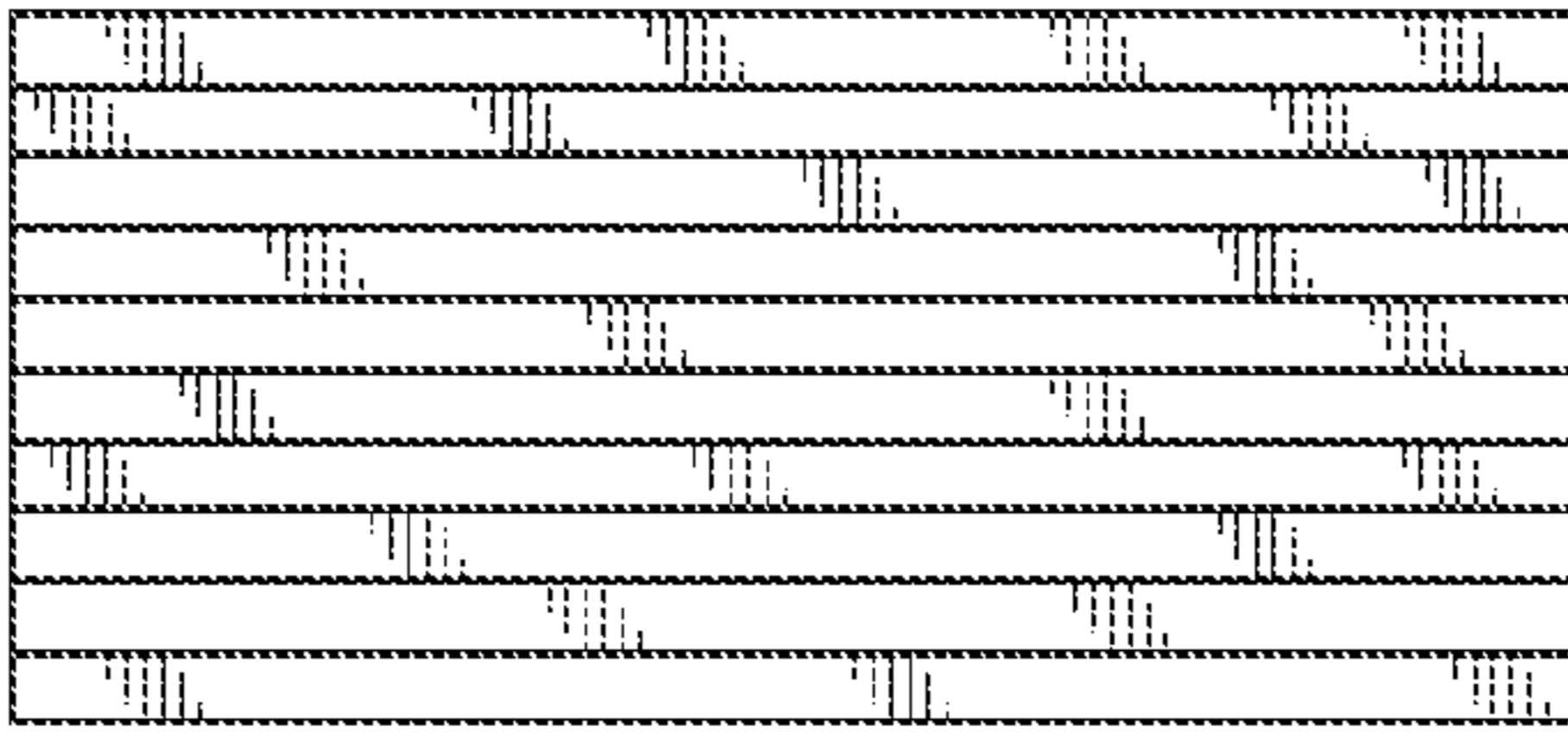


FIG. 5

