



US00D683975S

(12) **United States Design Patent**
Starck

(10) **Patent No.:** **US D683,975 S**
(45) **Date of Patent:** **** Jun. 11, 2013**

(54) **STOOL**
(71) Applicant: **MAGIS S.p.A.**, Torre di Mosto (IT)
(72) Inventor: **Philippe Starck**, Paris (FR)
(73) Assignee: **MAGIS S.p.A.**, Torre di Mosto (IT)
(**) Term: **14 Years**

D283,856 S * 5/1986 Elmaleh D6/349
D474,039 S * 5/2003 Zemp D6/349
D523,251 S * 6/2006 Parpala D6/352
D581,705 S * 12/2008 Li D6/486
D638,633 S * 5/2011 Du D6/360
D639,082 S * 6/2011 Pengelly D6/360
D647,713 S * 11/2011 Unterrainer et al. D6/349
D657,149 S * 4/2012 Lievore et al. D6/360
D668,464 S * 10/2012 Du D6/353
D671,772 S * 12/2012 Lee et al. D6/692.3

(21) Appl. No.: **29/435,007**
(22) Filed: **Oct. 18, 2012**

(30) **Foreign Application Priority Data**
Jun. 5, 2012 (EM) 002052217-0002
(51) **LOC (9) Cl.** **06-01**
(52) **U.S. Cl.**
USPC **D6/349**; D6/360
(58) **Field of Classification Search**
USPC D6/335, 340, 344, 349-355, 495,
D6/500-502, 362, 374, 601; 297/16.1, 175,
297/187, 195.1, 423.1, 423.11, 423.14, 423.16,
297/461, 462
See application file for complete search history.

(56) **References Cited**
U.S. PATENT DOCUMENTS
D47,966 S * 10/1915 Reischmann D6/349
D127,494 S * 5/1941 Wesling D6/352
2,939,517 A * 6/1960 Saarinen 297/461
D218,422 S * 8/1970 Crandall D6/495
D244,107 S * 4/1977 Zola D6/352
D249,300 S * 9/1978 Szabo et al. D6/486

OTHER PUBLICATIONS

S.S.S.S. from Starck. [online] Retrieved Mar. 7, 2013 from URL:
<www.starck.com/fr/design/chronologie/2012.html#ssss>.*

* cited by examiner

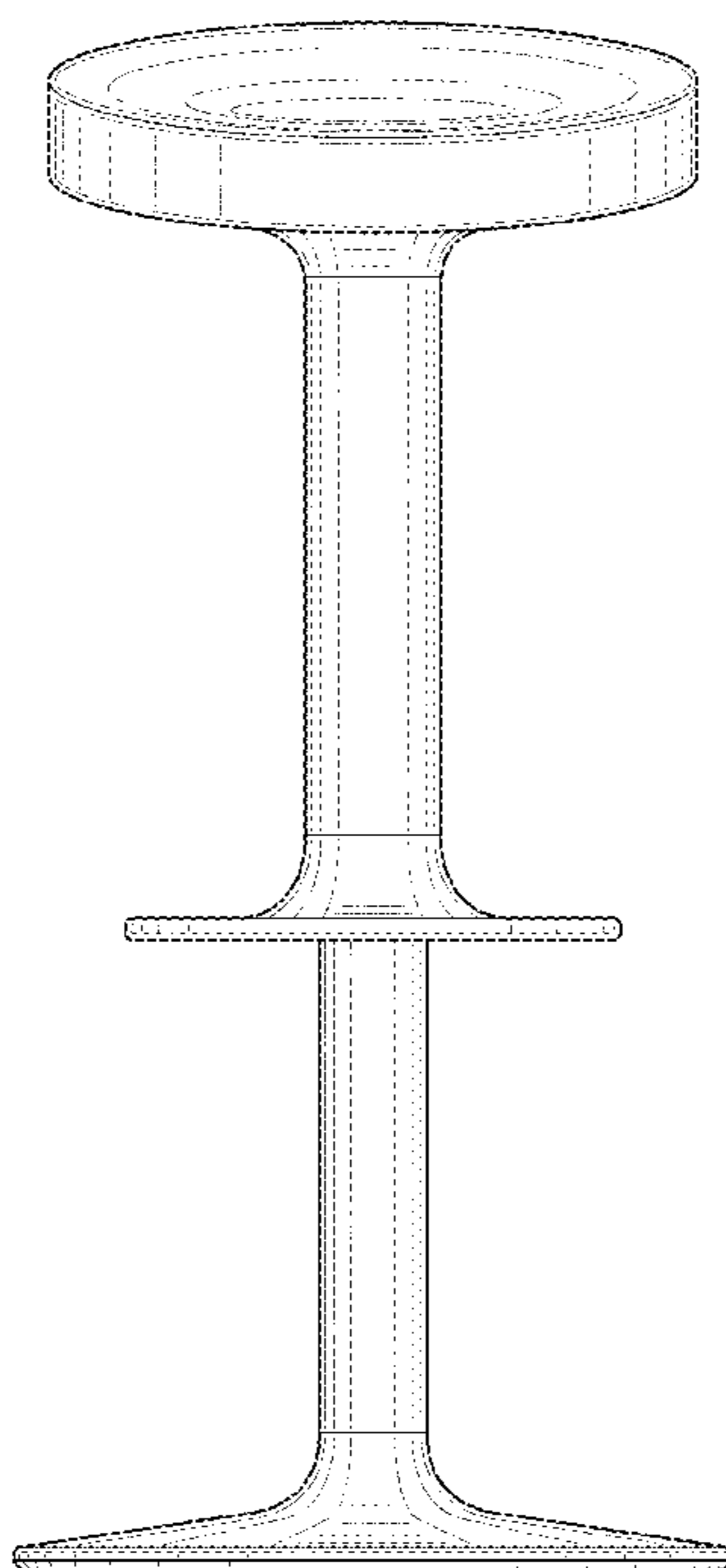
Primary Examiner — Susan Bennett Hattan
Assistant Examiner — Vy Koenig
(74) *Attorney, Agent, or Firm* — Themis Law

(57) **CLAIM**
The ornamental design for a stool, as shown and described.

DESCRIPTION

FIG. 1 is a front elevational view of a stool showing my new design;
FIG. 2 is a rear elevational view thereof;
FIG. 3 is a right side elevational view thereof;
FIG. 4 is a left side elevational view thereof;
FIG. 5 is a top plan view thereof;
FIG. 6 is a bottom plan view thereof; and,
FIG. 7 is a perspective view thereof.
The broken lines in the drawing depict environmental subject matter only and form no part of the claimed design.

1 Claim, 6 Drawing Sheets



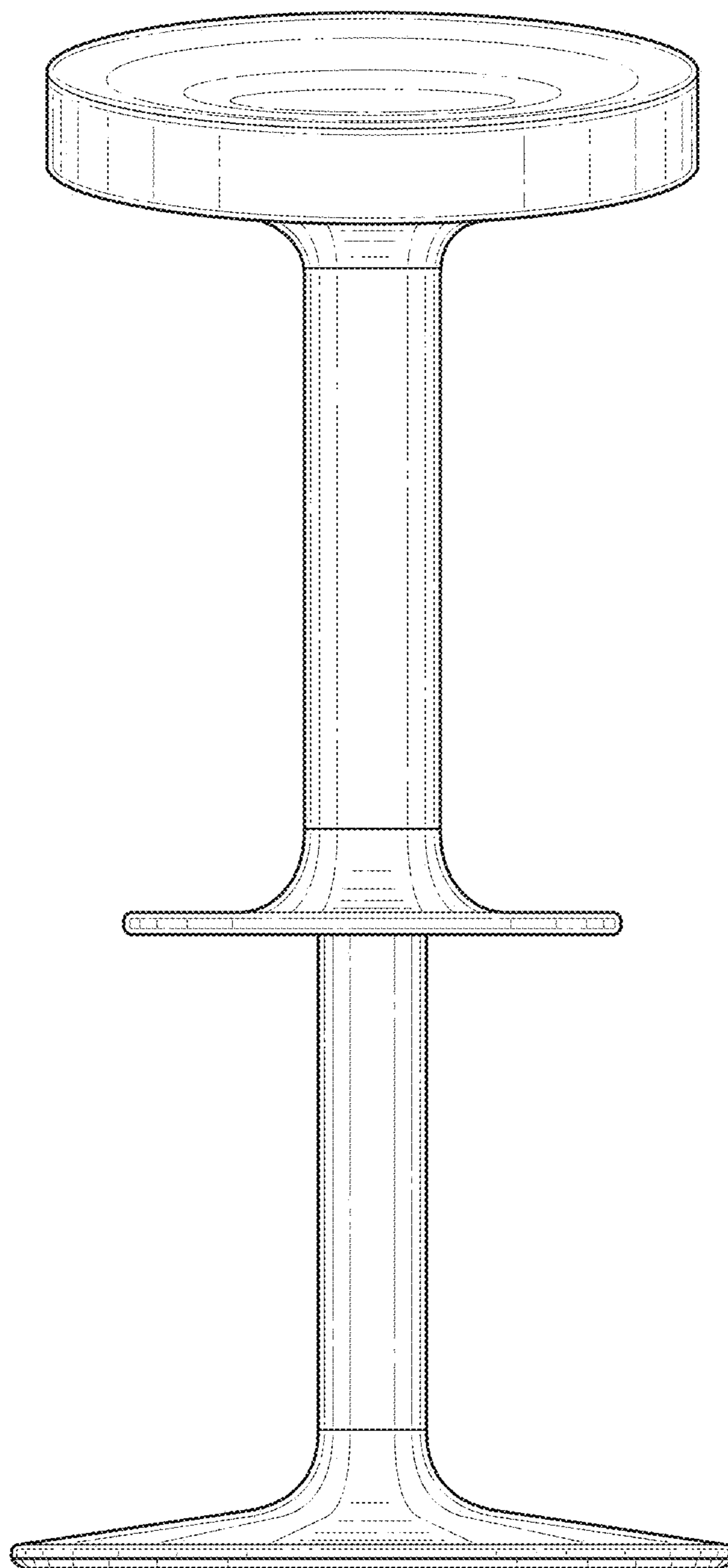


FIG. 1

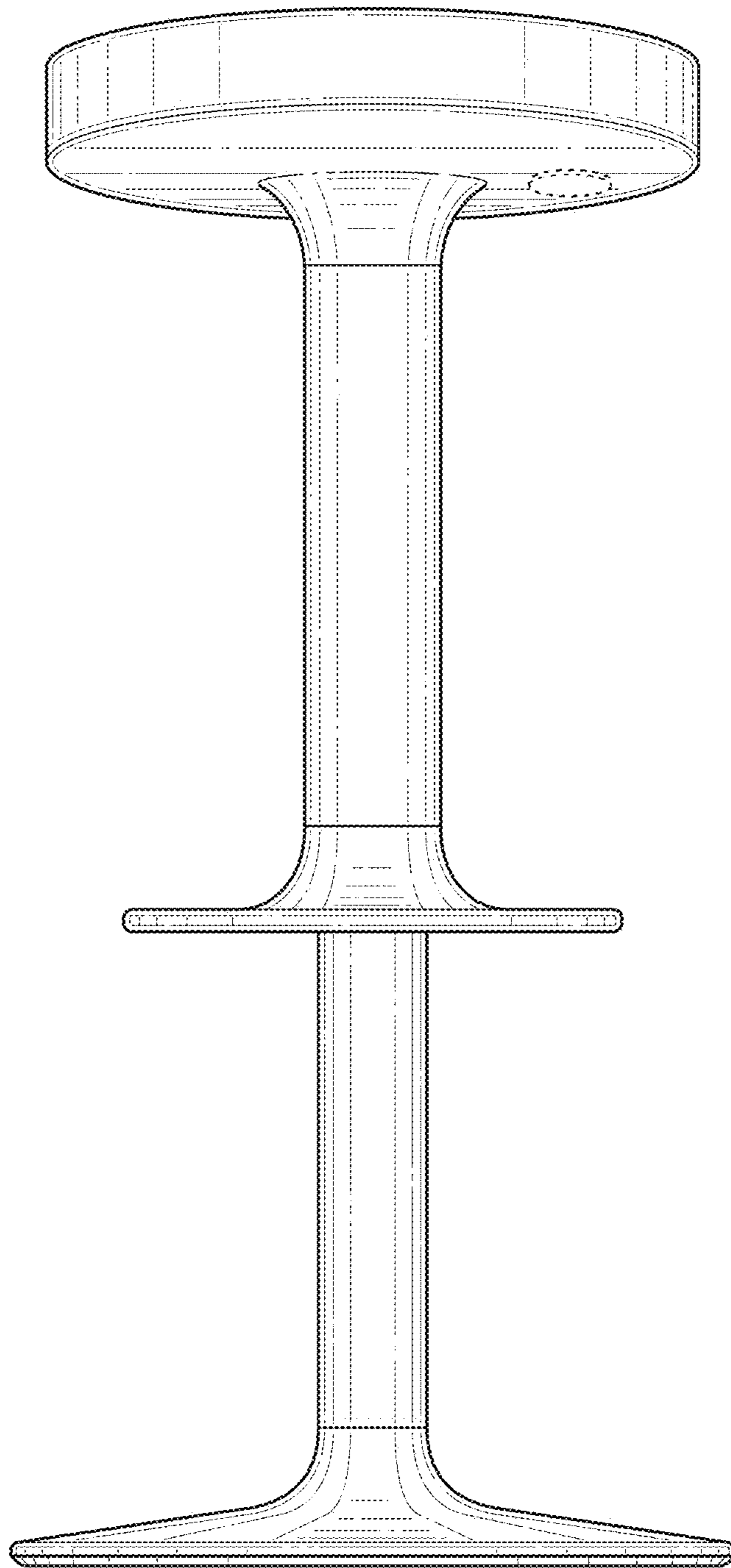


FIG. 2

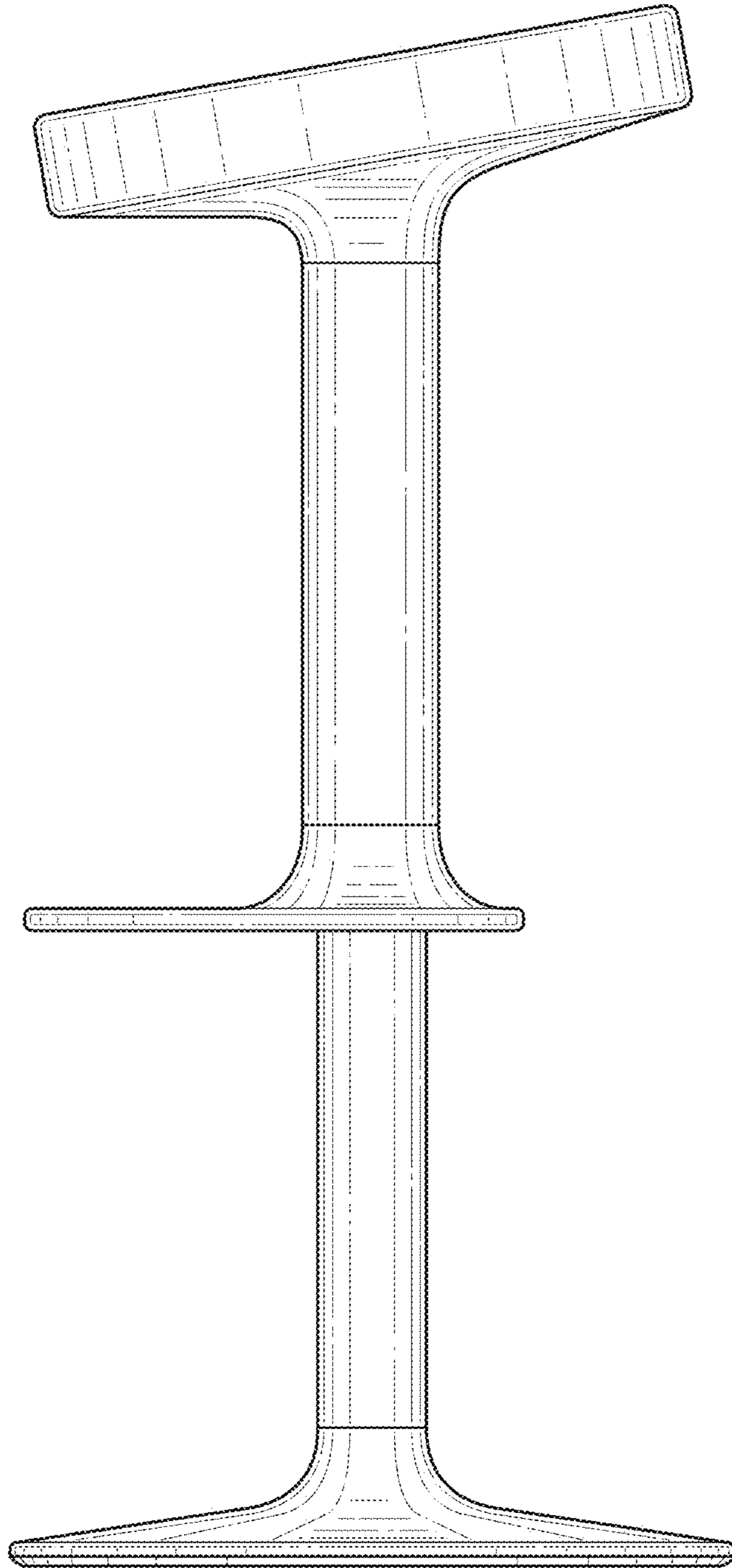


FIG. 3

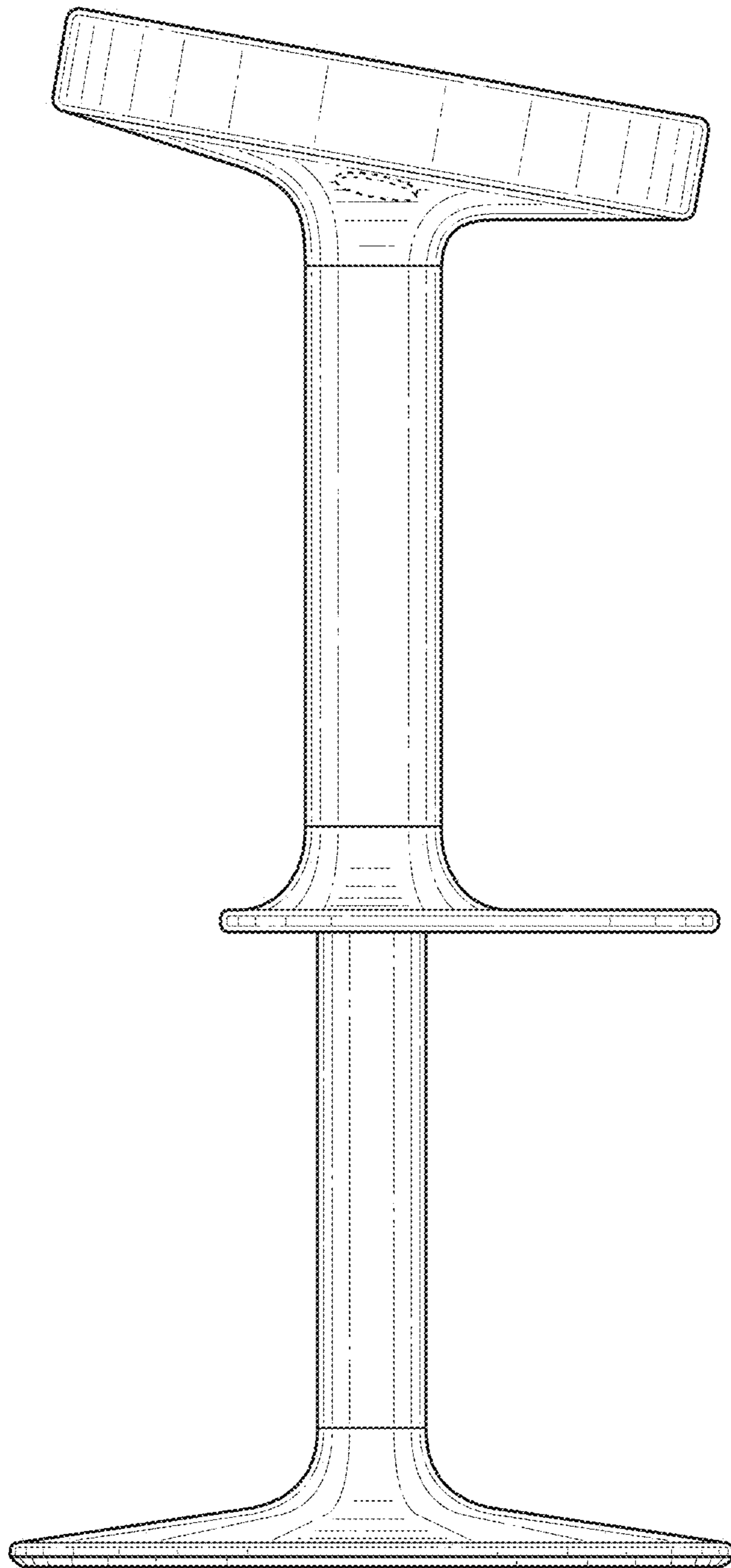


FIG. 4

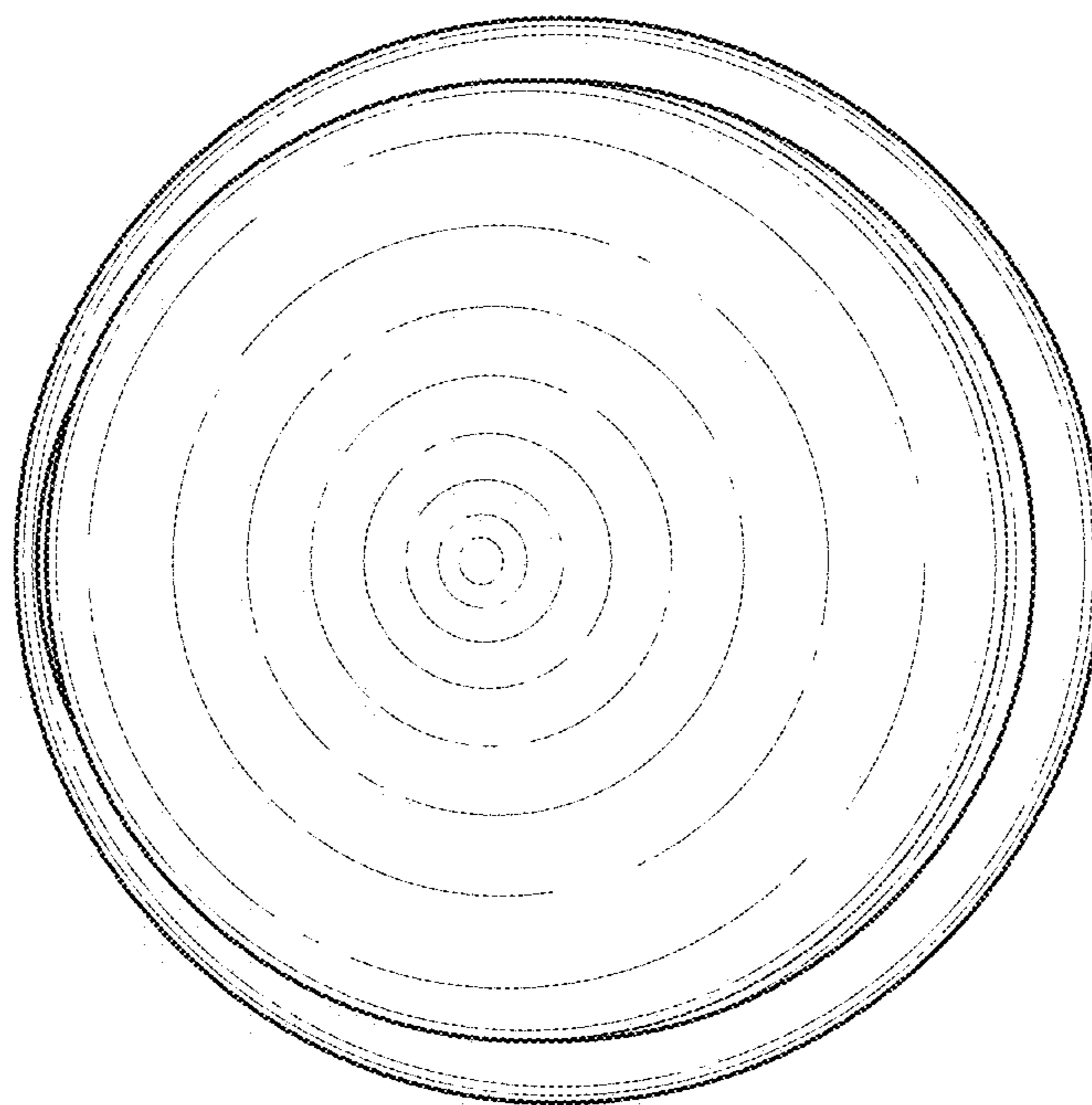


FIG. 5

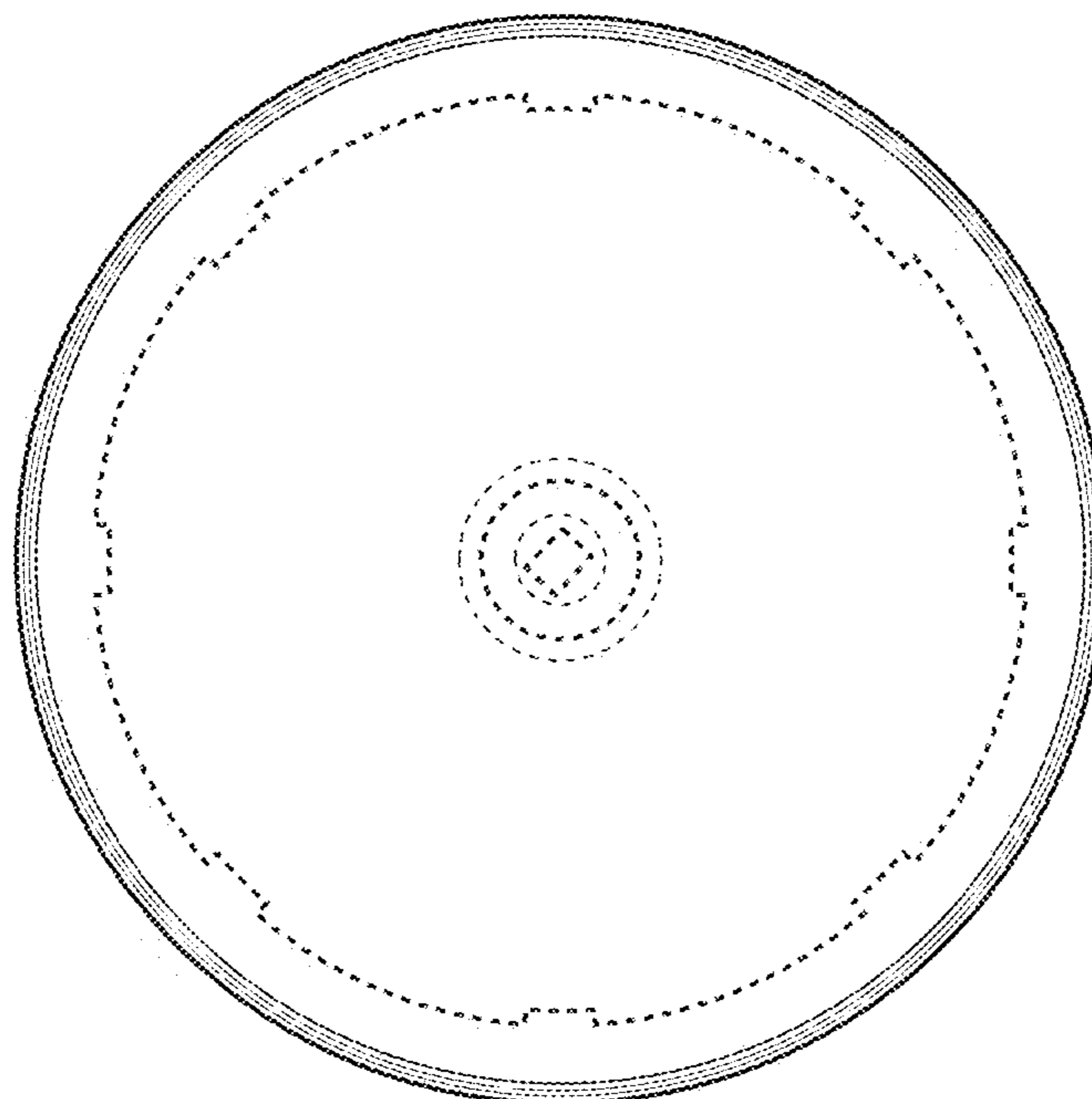


FIG. 6

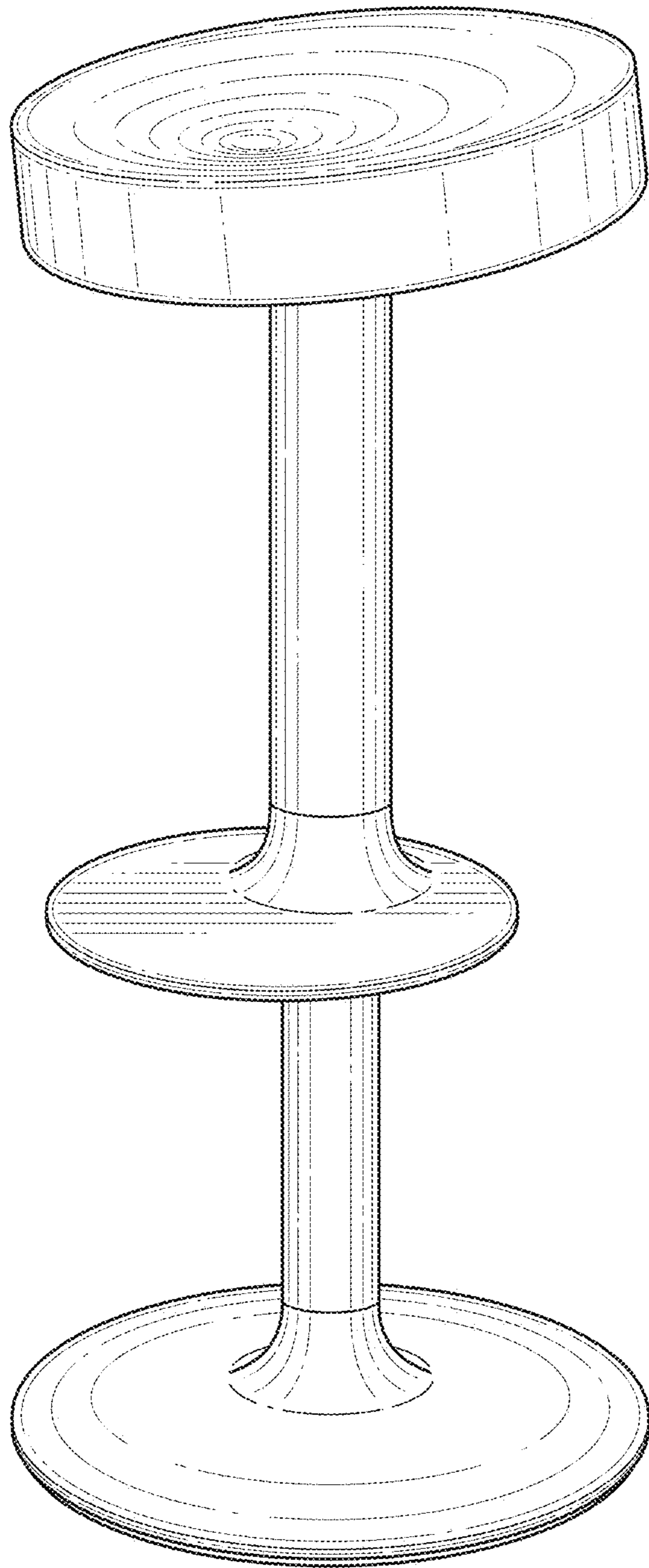


FIG. 7