



US00D683974S

(12) **United States Design Patent**
Leys et al.

(10) **Patent No.:** **US D683,974 S**

(45) **Date of Patent:** **** Jun. 11, 2013**

(54) **CHILD STROLLER SEAT**

(75) Inventors: **Colter P. Leys**, Salt Lake City, UT (US);
Joseph Hei, Palo Alto, CA (US); **Bryan T. White**, Fremont, CA (US);
Christopher Loew, Palo Alto, CA (US);
Yusuke Miyashita, San Mateo, CA (US)

(73) Assignee: **Orbit Baby, Inc.**, Newark, CA (US)

(**) Term: **14 Years**

(21) Appl. No.: **29/402,347**

(22) Filed: **Sep. 22, 2011**

(51) **LOC (9) Cl.** **06-01**

(52) **U.S. Cl.**
USPC **D6/333**

(58) **Field of Classification Search**
USPC D6/333-335, 339, 491, 501-502;
297/183.1-183.4, 184.13, 184.15, 184.17,
297/250.1, 255, 256.1, 256.16; 5/94, 98.1,
5/99.1, 101-102, 105, 655; 280/30-31;
D21/412, 419; D12/129

See application file for complete search history.

(56) **References Cited**

U.S. PATENT DOCUMENTS

1,634,922 A 7/1927 Stubblebine et al.
4,750,783 A 6/1988 Irby et al.

(Continued)

FOREIGN PATENT DOCUMENTS

EP 0-939 019 A1 9/1999
GB 2-207 043 A 1/1989

OTHER PUBLICATIONS

Partial European Search Report mailed on Jun. 20, 2011, for EP Patent Application No. 05751808.6, filed on May 17, 2005, 6 pages.

(Continued)

Primary Examiner — Caron D Veynar

Assistant Examiner — Abraham Bahta

(74) *Attorney, Agent, or Firm* — Morrison & Foerster LLP

(57) **CLAIM**

The ornamental design for a child stroller seat, as shown and described.

DESCRIPTION

FIG. 1 illustrates a perspective front view of a child stroller seat;

FIG. 2 illustrates a front view of the child stroller seat;

FIG. 3 illustrates a back view of the child stroller seat;

FIG. 4 illustrates a side view of the child stroller seat;

FIG. 5 illustrates a top view of the child stroller seat;

FIG. 6 illustrates a bottom view of the child stroller seat;

FIG. 7 illustrates a side view of the child stroller seat docked with a stroller.

FIG. 8 illustrates a perspective front view of a second embodiment of a child stroller seat;

FIG. 9 illustrates a front view of the second embodiment of the child stroller seat;

FIG. 10 illustrates a back view of the second embodiment of the child stroller seat;

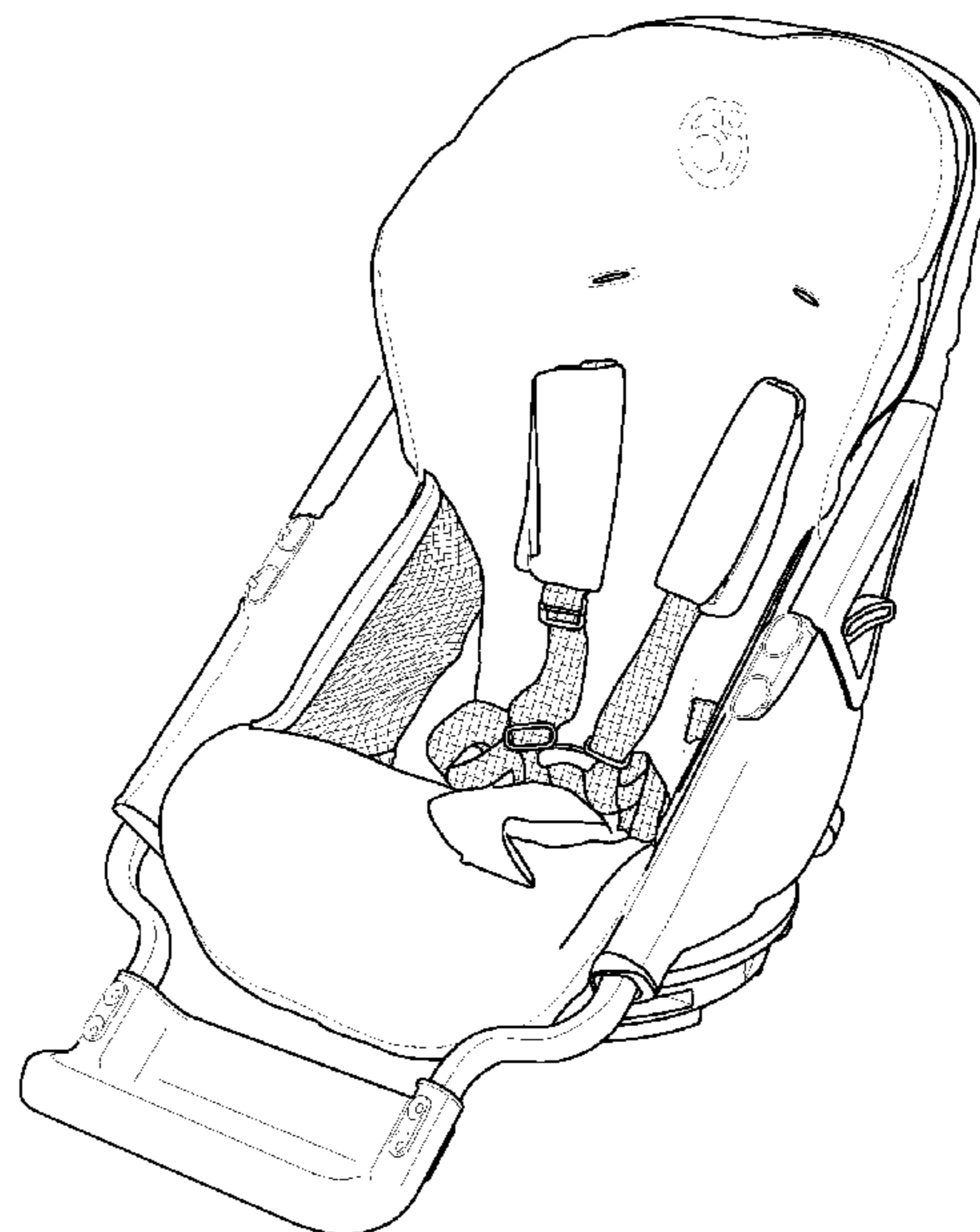
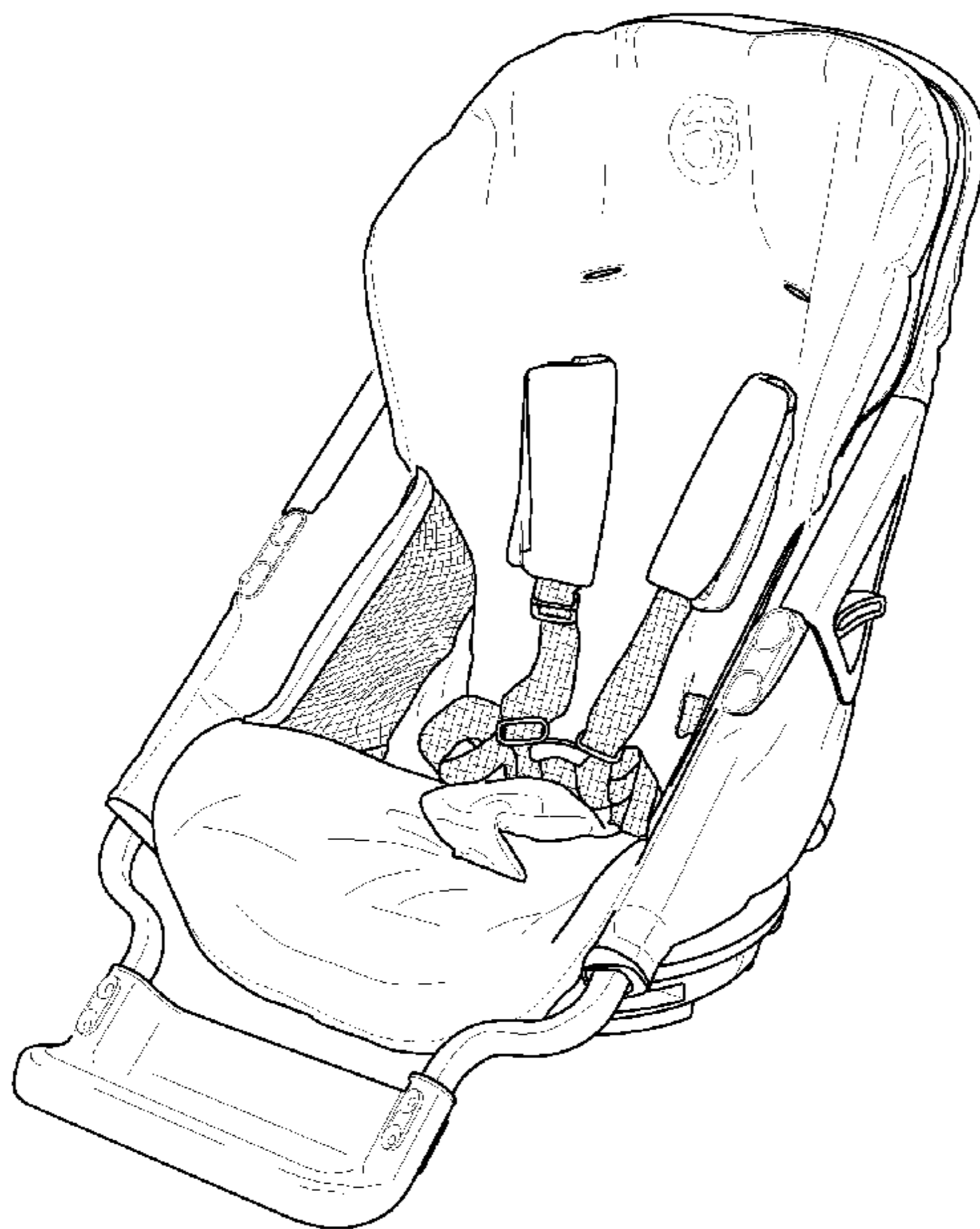
FIG. 11 illustrates a side view of the second embodiment of the child stroller seat;

FIG. 12 illustrates a top view of the second embodiment of the child stroller seat; and,

FIG. 13 illustrates a bottom view of the second embodiment of the child stroller seat.

The broken or dotted line illustration of the stroller, sunshade, stitching, and product marking are for illustrative purposes of the environment of the child stroller seat and form no part of the claimed design.

1 Claim, 13 Drawing Sheets



US D683,974 S

Page 2

U.S. PATENT DOCUMENTS

4,762,364	A	8/1988	Young		6,431,647	B2	8/2002	Yamazaki	
4,834,404	A	5/1989	Wood		6,446,990	B1	9/2002	Nania et al.	
4,936,629	A	6/1990	Young		6,508,510	B2	1/2003	Yamazaki	
5,058,283	A	10/1991	Wise et al.		6,554,358	B2	4/2003	Kain	
5,183,312	A	2/1993	Nania		6,561,577	B2	5/2003	Kelly	
5,207,476	A	5/1993	Payne		6,619,734	B2	9/2003	Helmsderfer	
D338,343	S *	8/1993	Grange	D6/333	6,793,283	B1	9/2004	Sipos	
5,341,530	A	8/1994	Ward		6,796,606	B2	9/2004	Marshall	
5,462,333	A	10/1995	Beauvais		6,857,700	B2	2/2005	Eastman et al.	
5,540,365	A	7/1996	LaMair		6,863,345	B2	3/2005	Kain	
5,562,548	A	10/1996	Pinch et al.		6,938,954	B1	9/2005	Hendren et al.	
5,599,065	A	2/1997	Gryp et al.		7,004,541	B2	2/2006	Sedlack	
5,658,044	A	8/1997	Krevh		7,163,265	B2	1/2007	Adachi	
5,659,931	A	8/1997	Anscher		7,338,122	B2	3/2008	Hei et al.	
5,775,770	A	7/1998	Tunney		D577,210	S *	9/2008	Murrieta	D6/333
5,908,223	A	6/1999	Miller		7,559,606	B2	7/2009	Hei et al.	
5,961,180	A	10/1999	Greger et al.		D604,054	S *	11/2009	Biaud	D6/333
5,971,476	A	10/1999	Gibson et al.		D613,955	S *	4/2010	Kho et al.	D6/333
6,000,753	A	12/1999	Cone, II		D617,239	S *	6/2010	Storm	D12/133
6,017,088	A	1/2000	Stephens et al.		7,770,970	B2	8/2010	Hei et al.	
6,049,954	A	4/2000	Britto		D637,824	S *	5/2011	Daly et al.	D6/333
6,076,894	A	6/2000	Busch		D660,605	S *	5/2012	Strong et al.	D6/333
D427,785	S *	7/2000	Kassai	D6/333	2010/0314925	A1	12/2010	Hei et al.	
D434,232	S *	11/2000	Abendschoen	D6/333					
6,145,927	A	11/2000	Lo						
6,189,970	B1	2/2001	Rosko						
6,193,312	B1	2/2001	Yoshida et al.						
6,196,629	B1	3/2001	Onishi et al.						
6,241,314	B1	6/2001	Pufall						
6,260,903	B1	7/2001	von der Heyde						
6,260,920	B1	7/2001	Tolfsen						
6,283,545	B1	9/2001	Ernst						
6,322,142	B1	11/2001	Yoshida et al.						
6,331,032	B1	12/2001	Haut et al.						
6,393,677	B1	5/2002	Anscher						
6,428,100	B1	8/2002	Kain et al.						

OTHER PUBLICATIONS

U.S. Appl. No. 11/131,662, Joseph Hei, Improvements for Child Restraint Systems, filed May 17, 2005.

U.S. Appl. No. 11/131,568, Joseph Hei, Actively Securable Base for a Modular Child Restraint System, filed May 17, 2005.

U.S. Appl. No. 11/633,943, Joseph Hei, Child Restraint Systems, filed Dec. 4, 2006.

U.S. Appl. No. 11/540,368, Joseph Hei, Removable Flexible Dual-Opening Carrying Basket, filed Sep. 29, 2006.

* cited by examiner

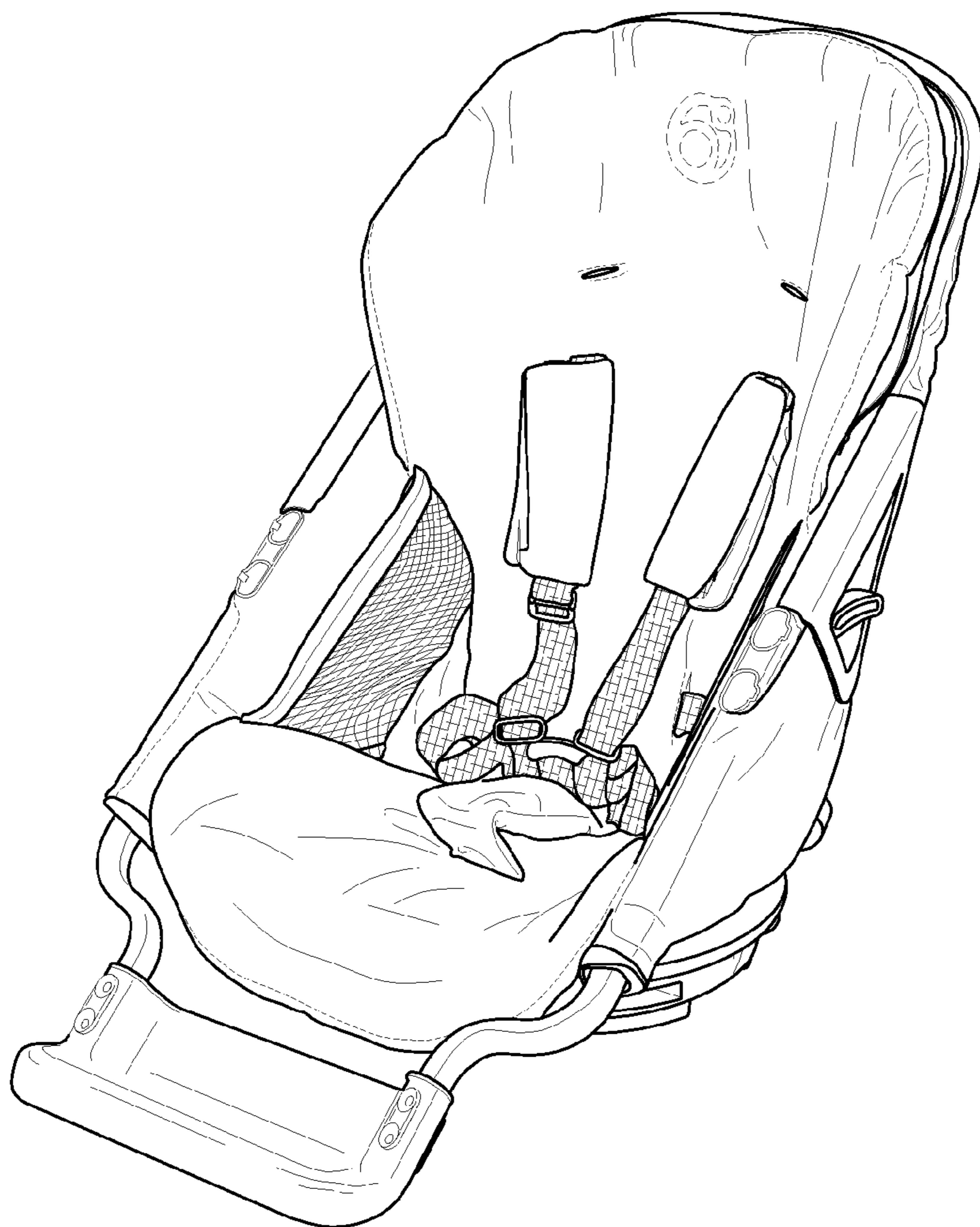


FIG. 1

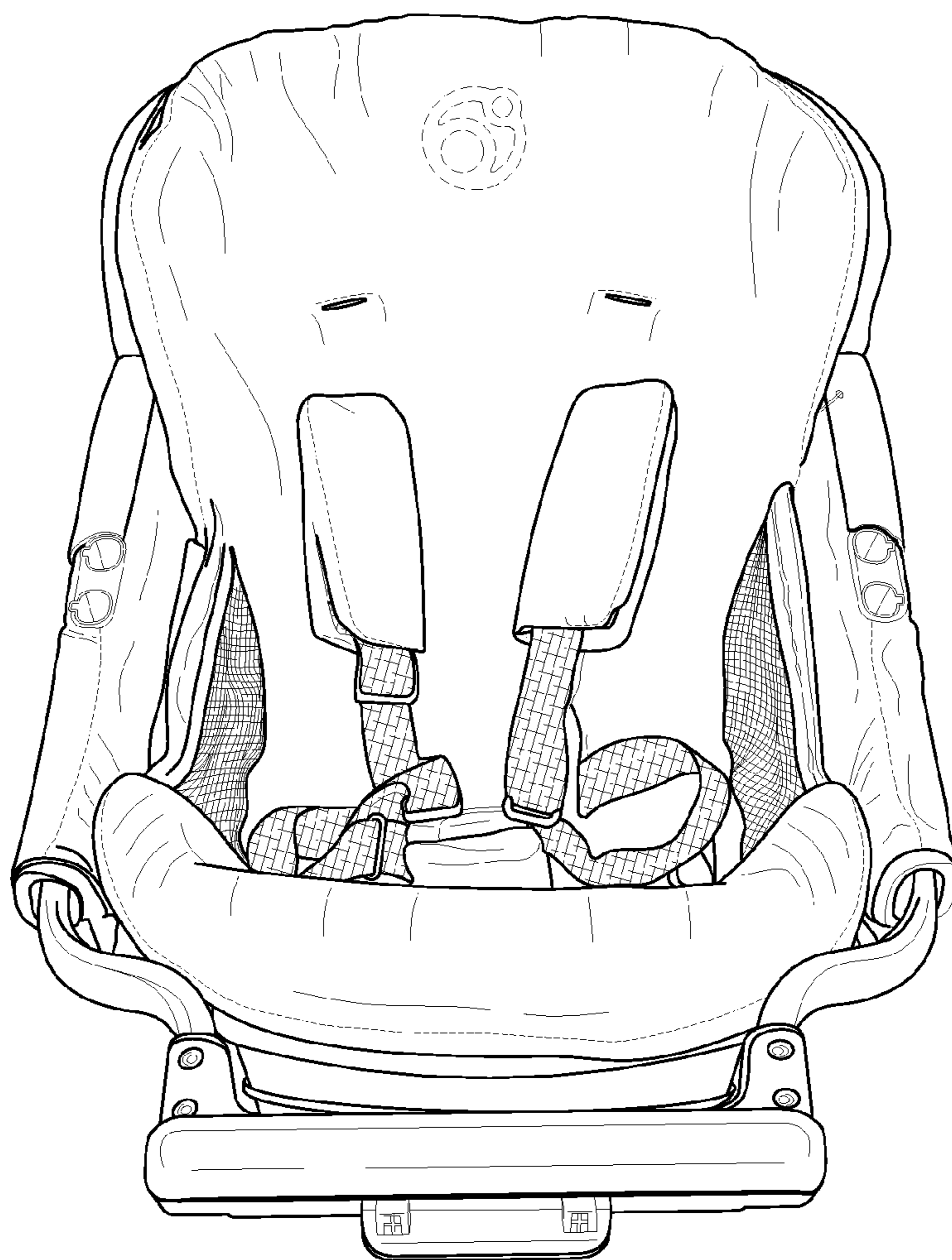


FIG. 2

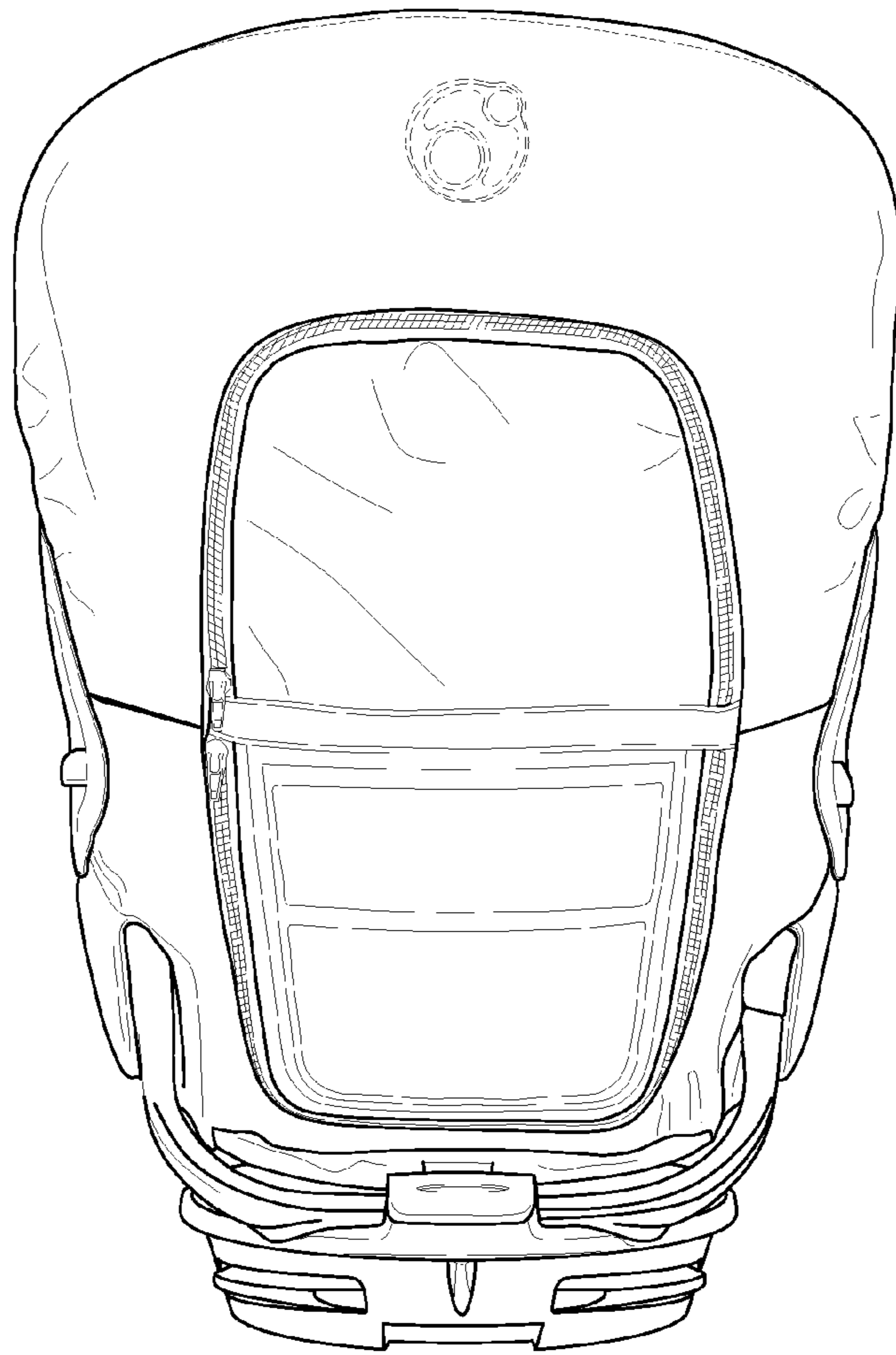


FIG. 3

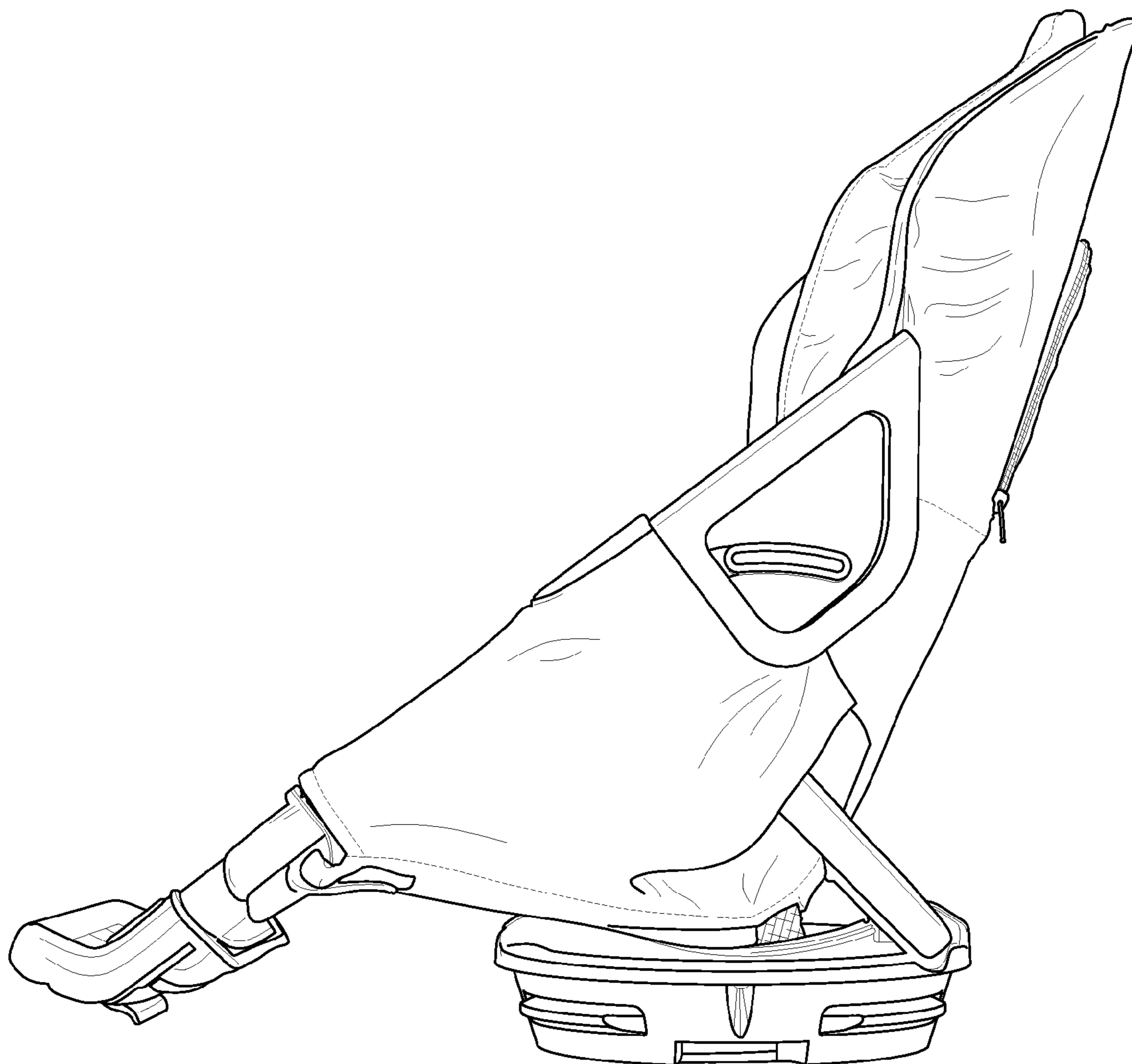


FIG. 4

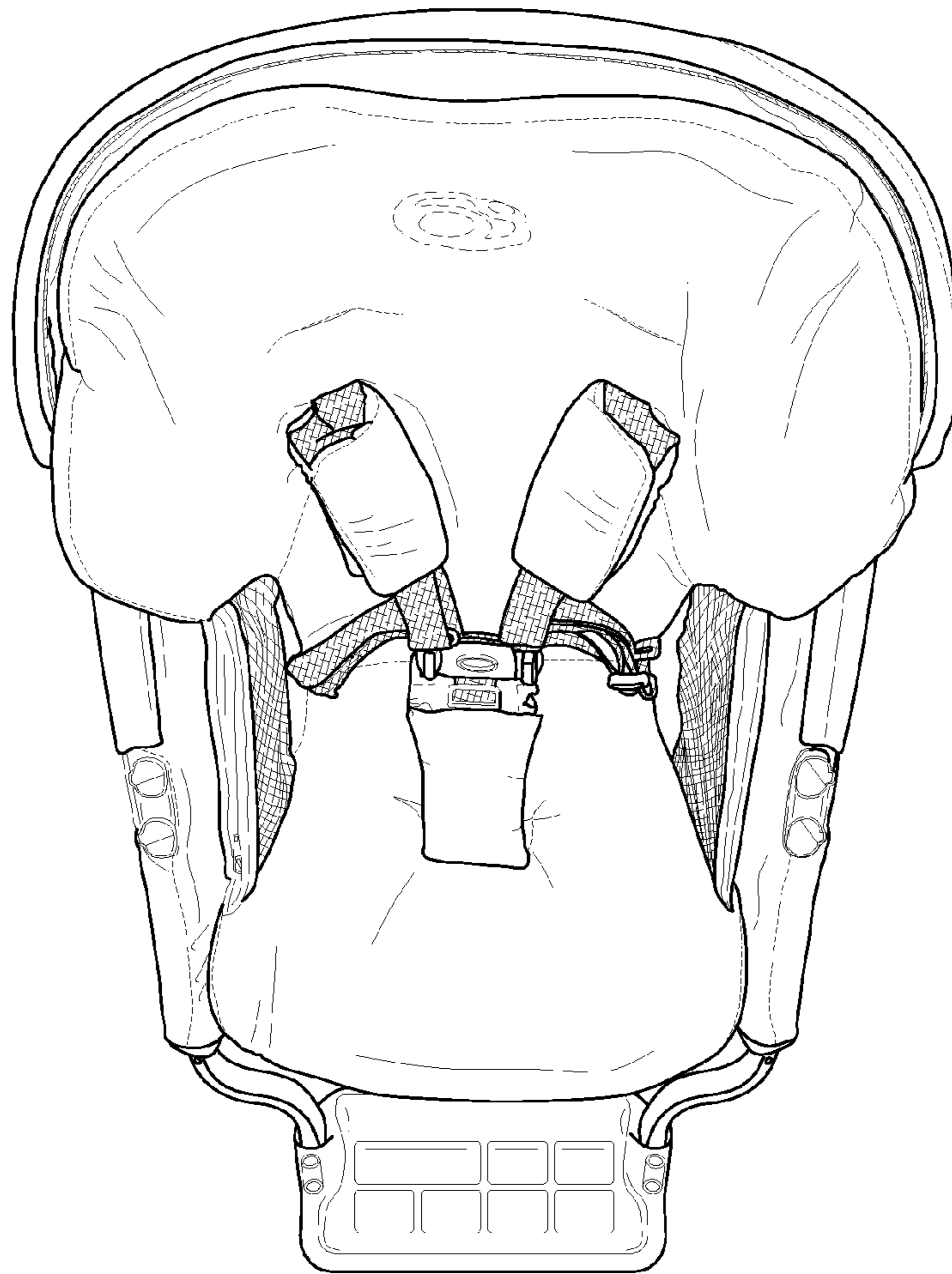


FIG. 5

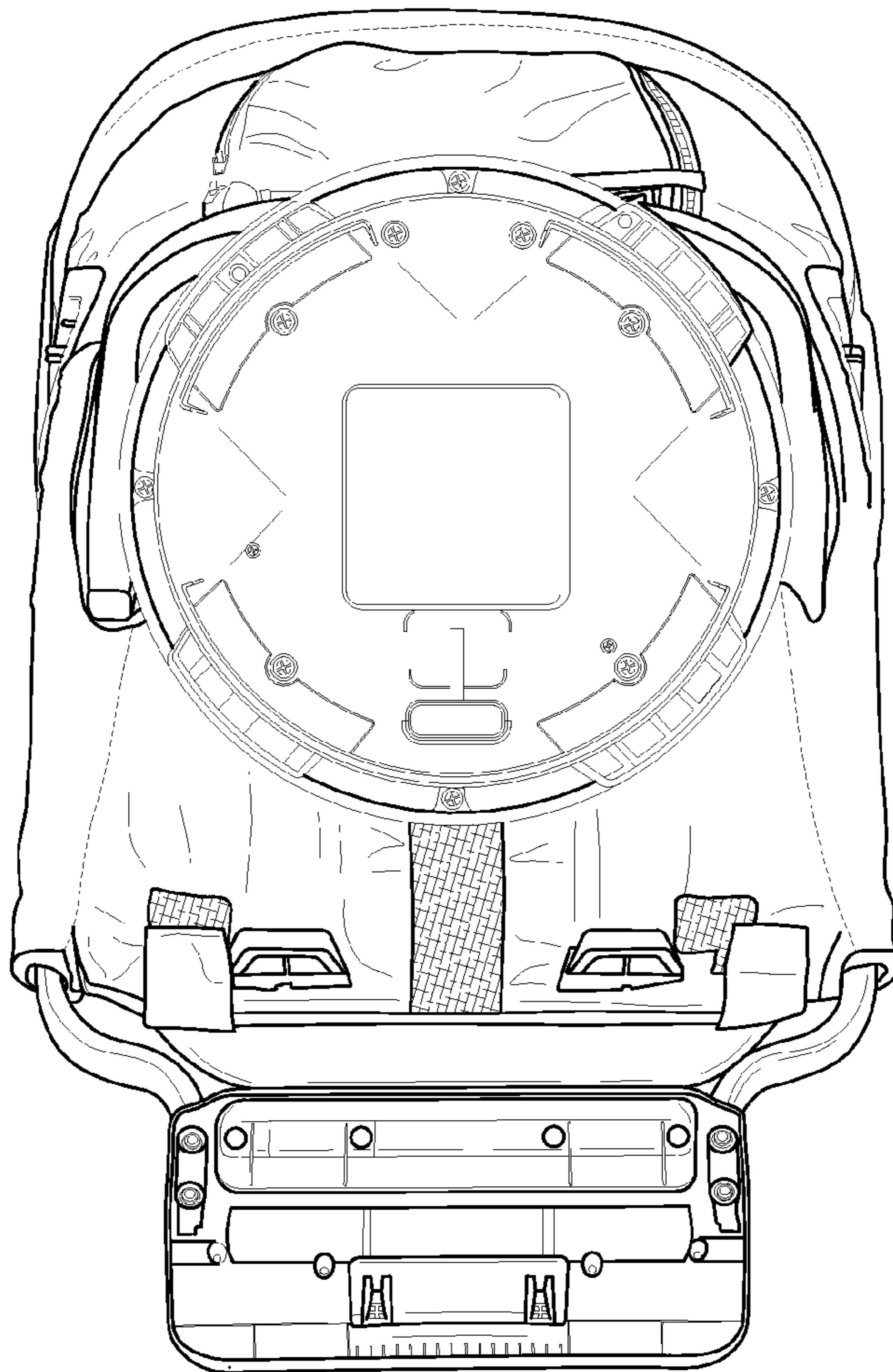


FIG. 6

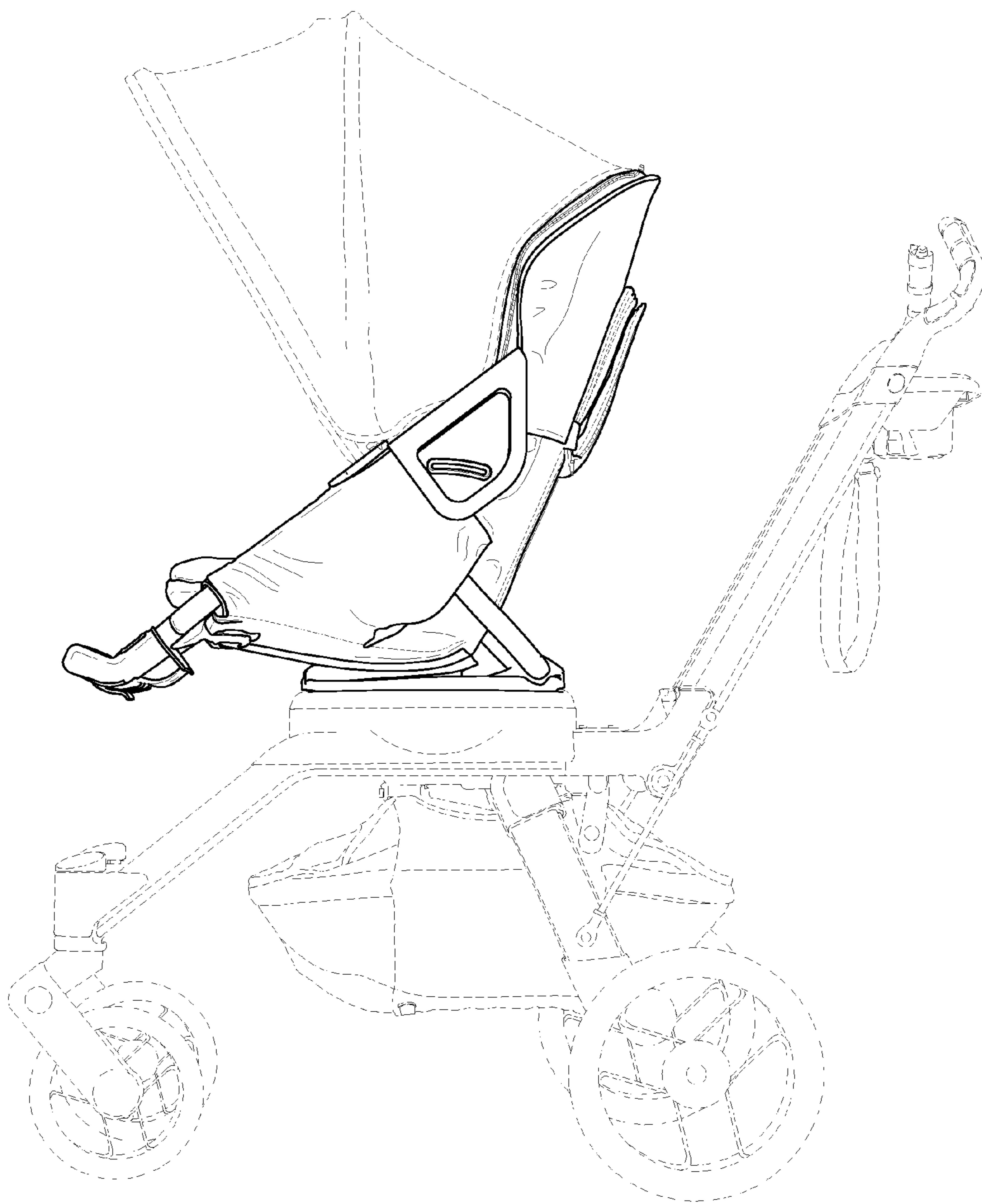


FIG. 7

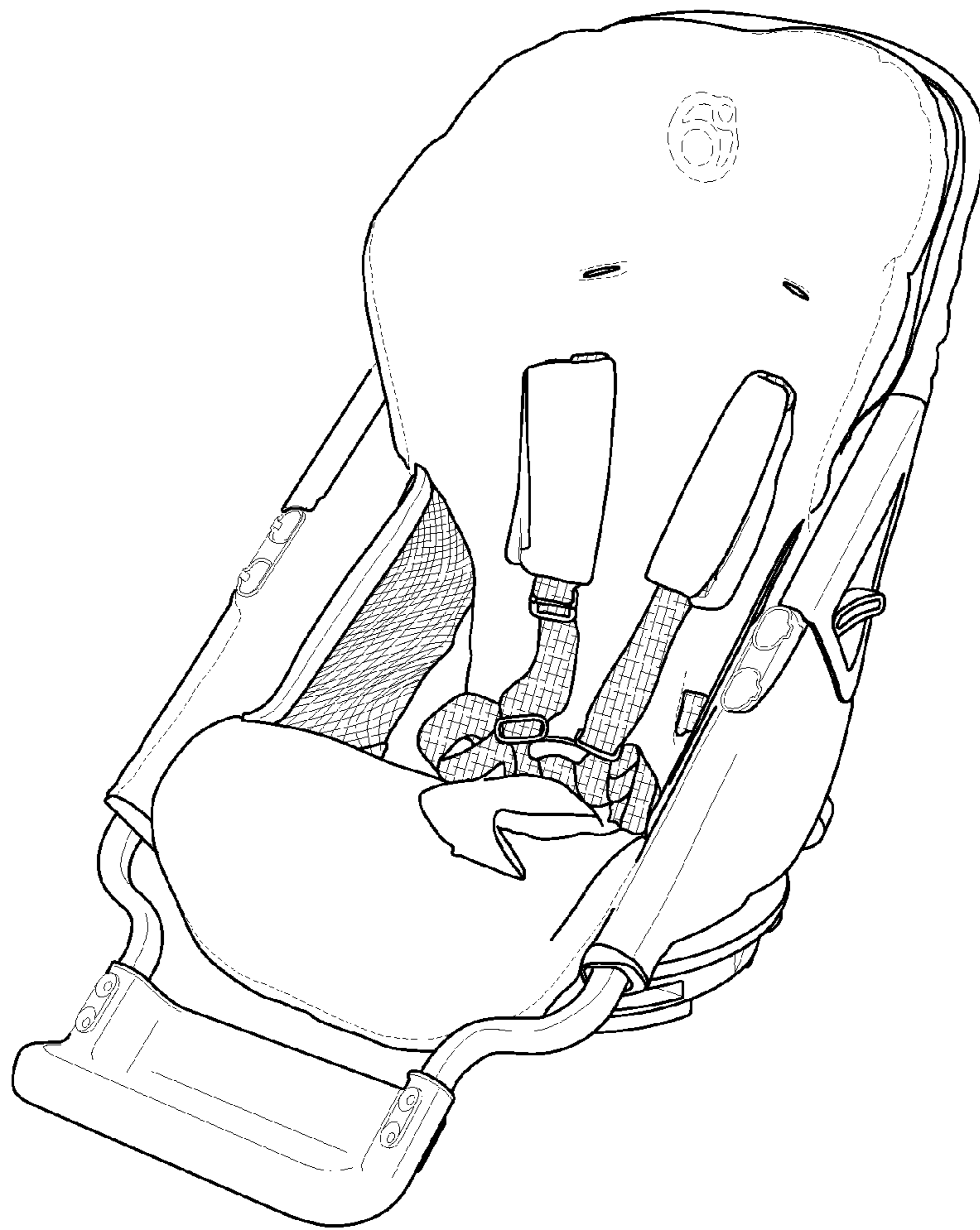


FIG. 8

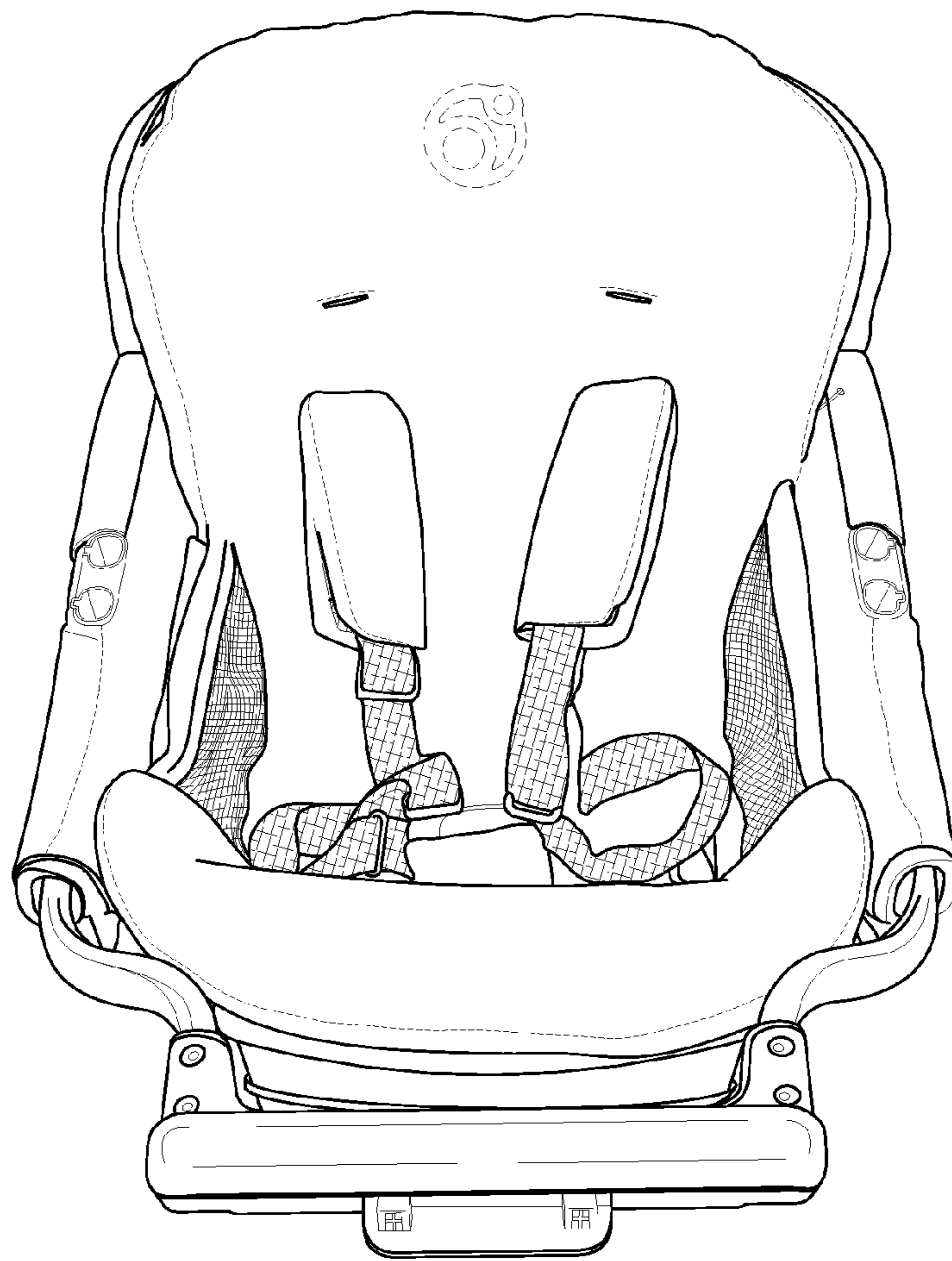


FIG. 9

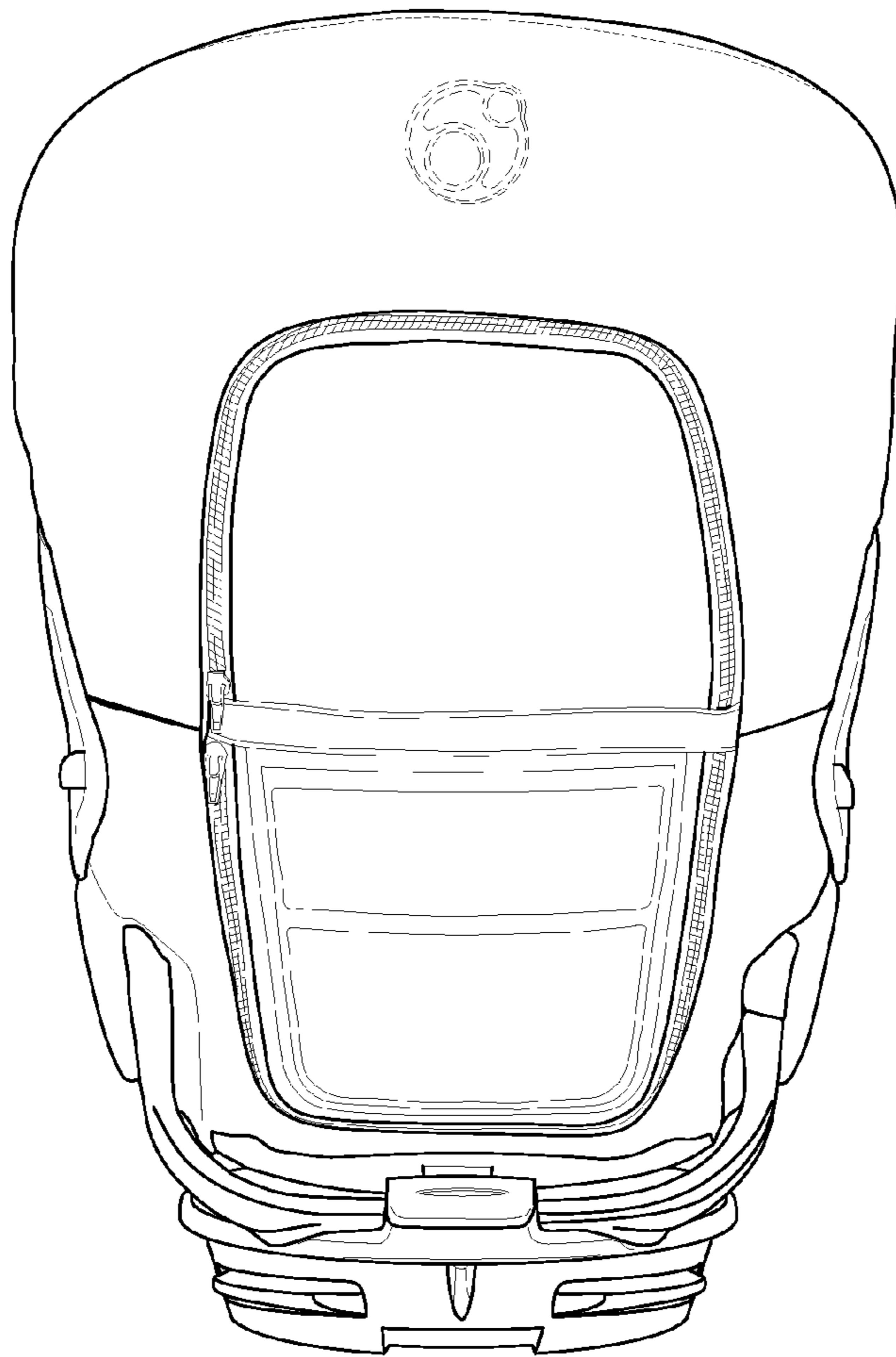


FIG. 10

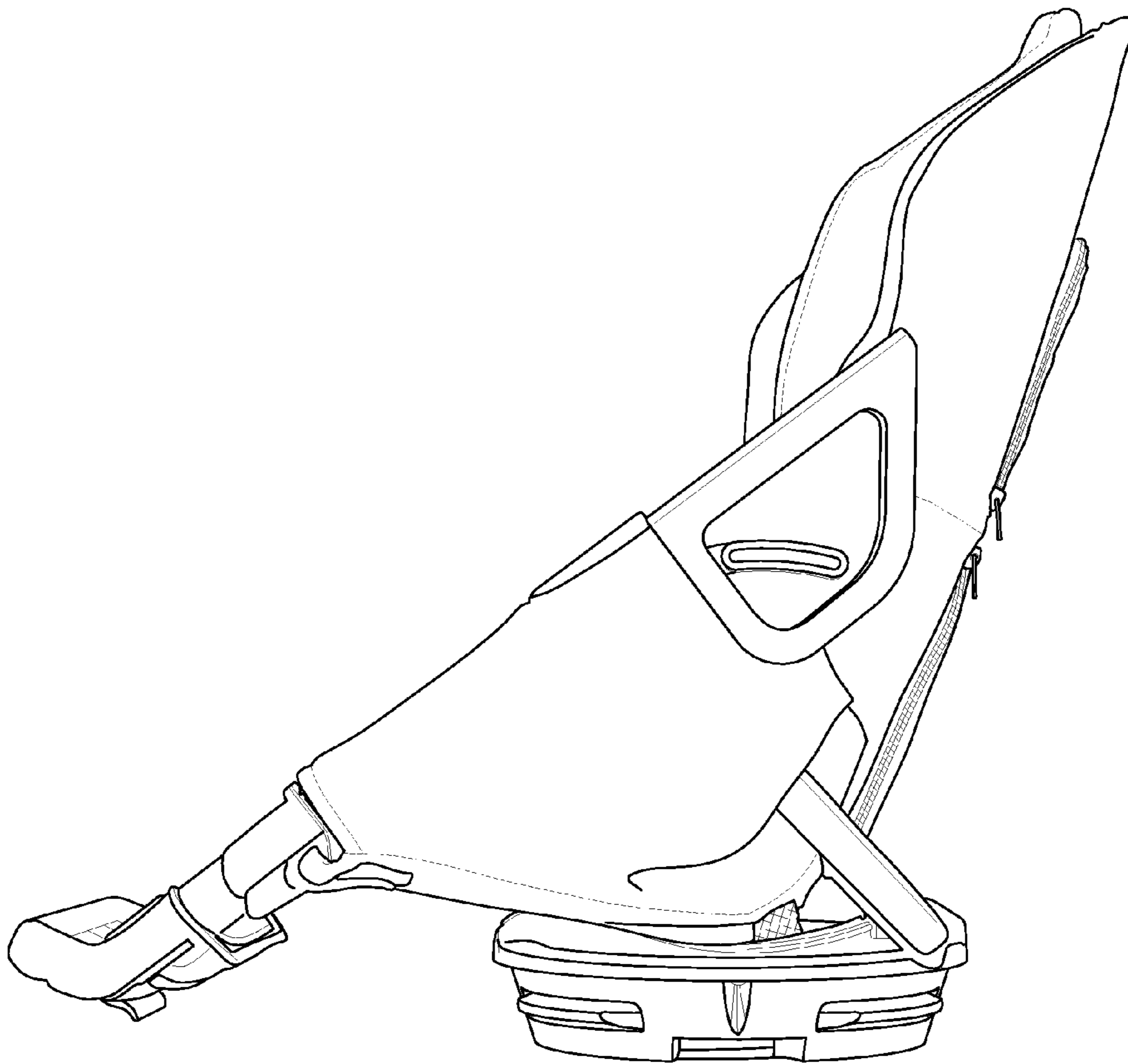


FIG. 11

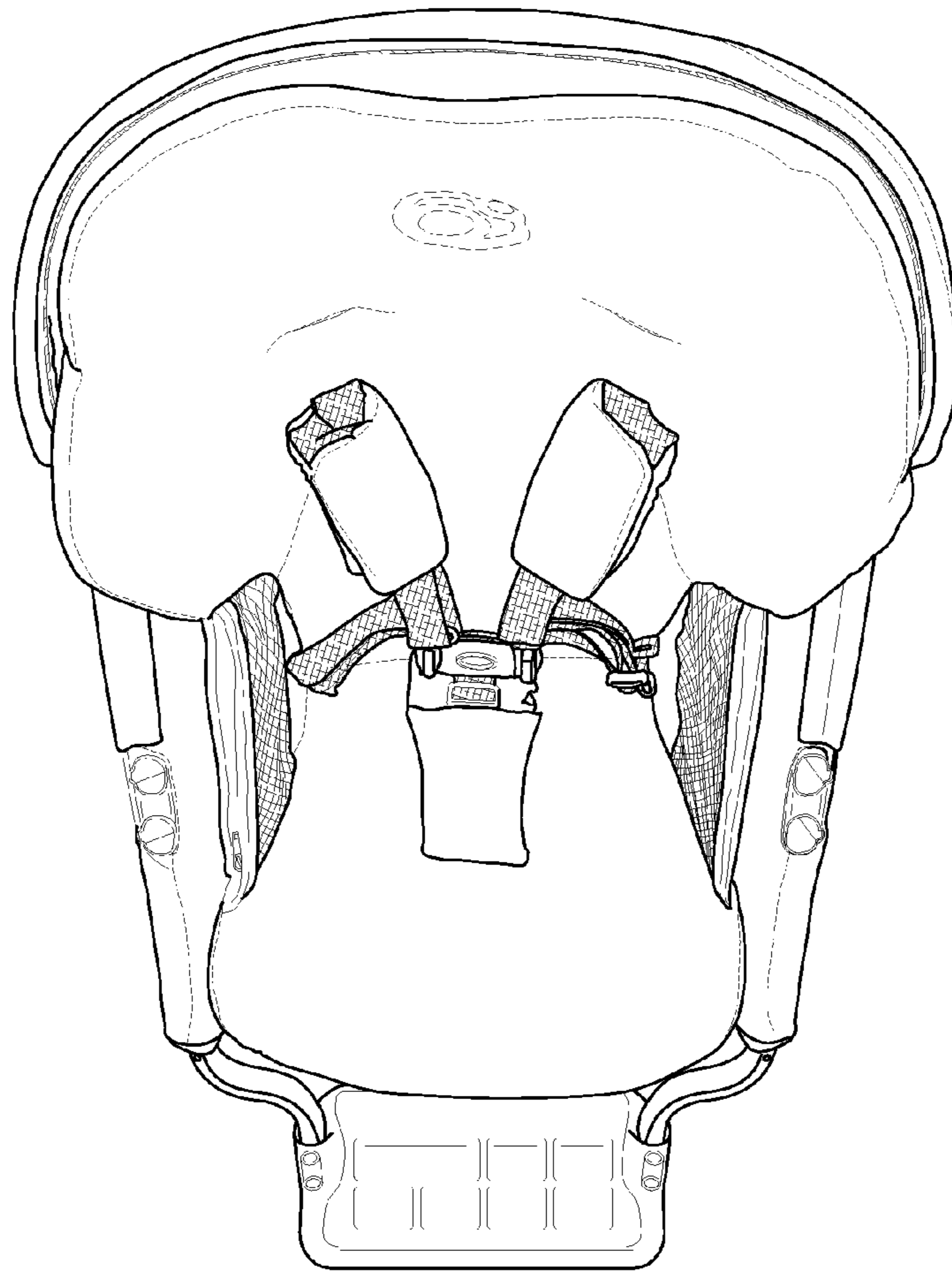


FIG. 12

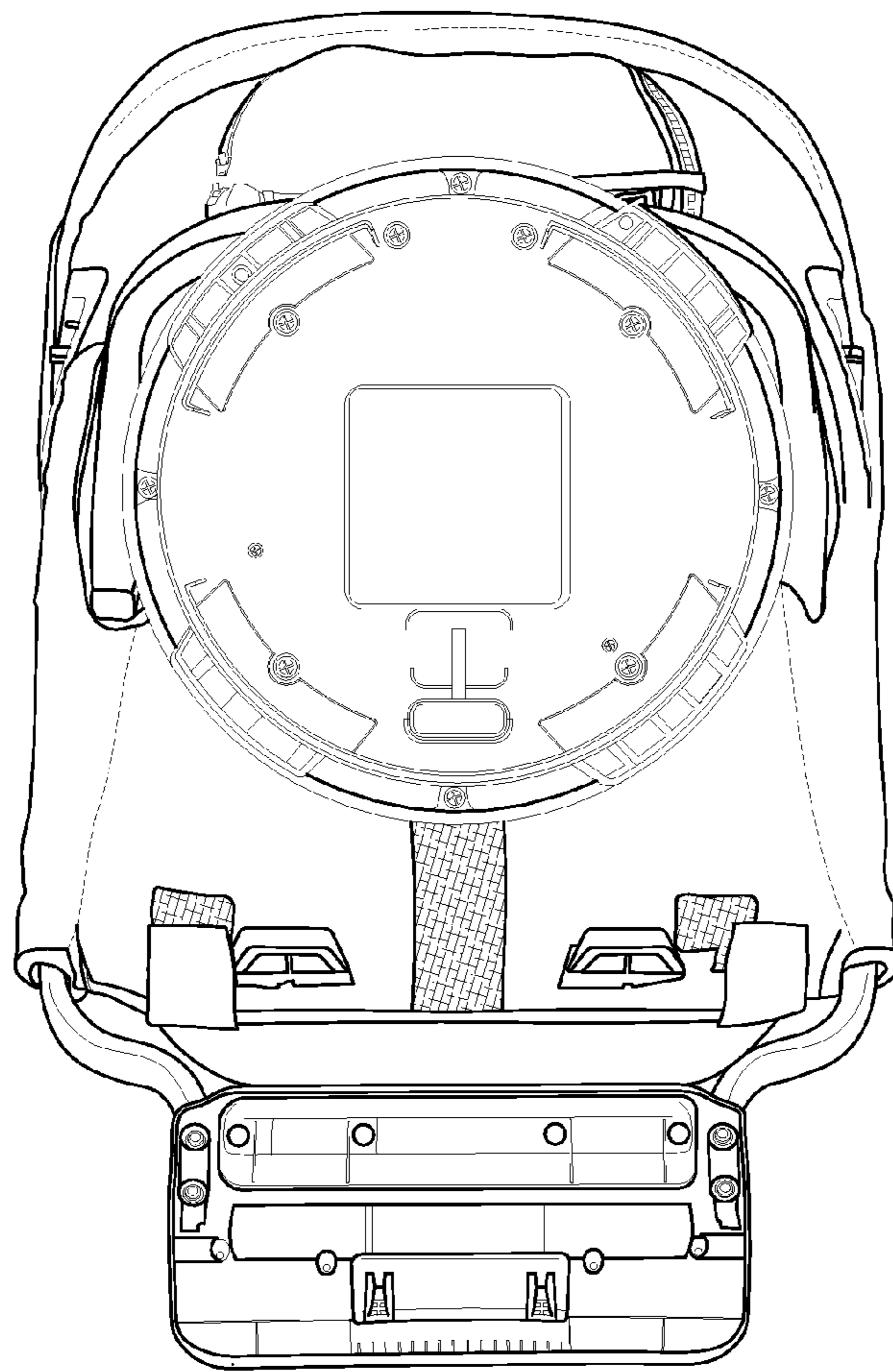


FIG. 13