



US00D683967S

(12) **United States Design Patent**
Woolfolk

(10) **Patent No.:** **US D683,967 S**
(45) **Date of Patent:** **** Jun. 11, 2013**

(54) **PAINT ROLLER BRUSH HANDLE**
(71) Applicant: **Calvin Woolfolk**, Bakersfield, CA (US)
(72) Inventor: **Calvin Woolfolk**, Bakersfield, CA (US)
(**) Term: **14 Years**

D439,416 S * 3/2001 Weiss D4/122
D473,055 S * 4/2003 Mann D4/122
D574,153 S * 8/2008 Dehart D4/122
D578,769 S * 10/2008 Patterson D4/122
D584,059 S * 1/2009 Arvinte et al. D4/122
D602,696 S * 10/2009 Morad et al. D4/122
D603,609 S * 11/2009 Reed D4/122
D630,856 S * 1/2011 Arvinte et al. D4/122

(21) Appl. No.: **29/436,959**
(22) Filed: **Nov. 11, 2012**
(51) **LOC (9) Cl.** **04-01**
(52) **U.S. Cl.**
USPC **D4/122**

* cited by examiner

Primary Examiner — Austin Murphy
(74) *Attorney, Agent, or Firm* — Gulf Coast Intellectual Property Group

(58) **Field of Classification Search**
USPC D4/122, 199; D6/317, 566; D8/370,
D8/373, 107, 303; 15/27, 230.11; 211/106,
211/106.01; 248/302; 492/13, 16, 17, 19;
16/422, 430, 431, 902, DIG. 12, DIG. 18,
16/DIG. 19
See application file for complete search history.

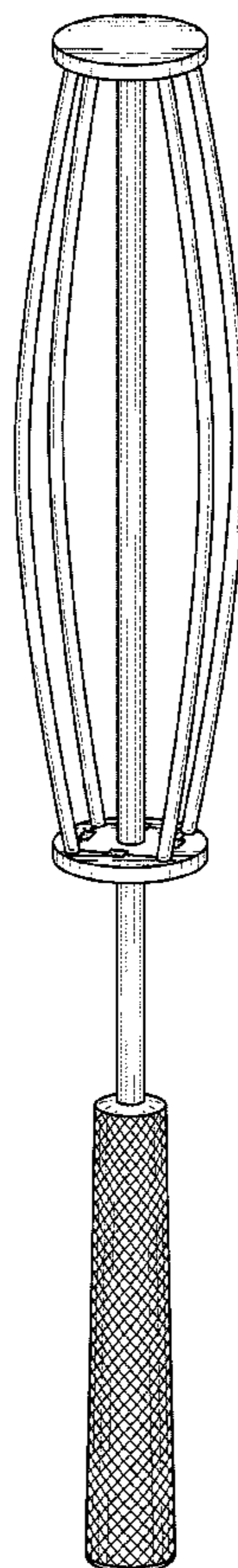
(57) **CLAIM**
The ornamental design for a paint roller brush handle, as shown and described.

DESCRIPTION

FIG. 1 is a perspective view of the present invention; and FIG. 2 is a left side view of the present invention; and FIG. 3 is a right side view of the present invention; and FIG. 4 is a top view of the present invention; and, FIG. 5 is a bottom view of the present invention.

(56) **References Cited**
U.S. PATENT DOCUMENTS
D305,080 S * 12/1989 Morgan et al. D4/122
D405,958 S * 2/1999 Mollack D4/122
D423,789 S * 5/2000 Saji D4/122

1 Claim, 2 Drawing Sheets



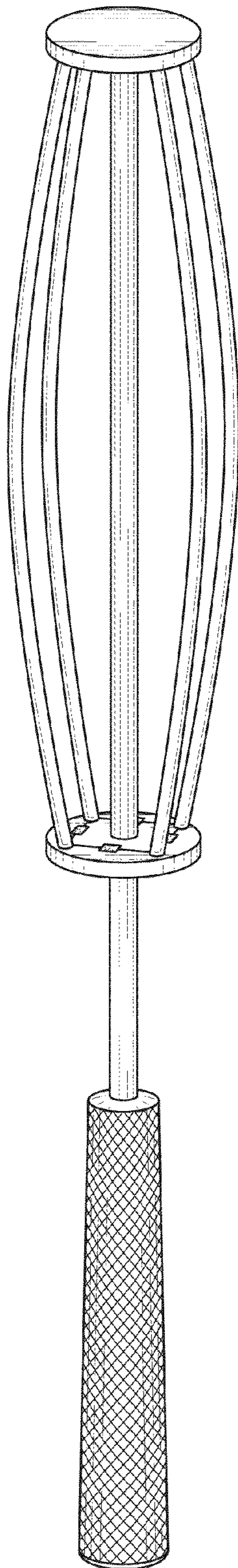


FIG. 1

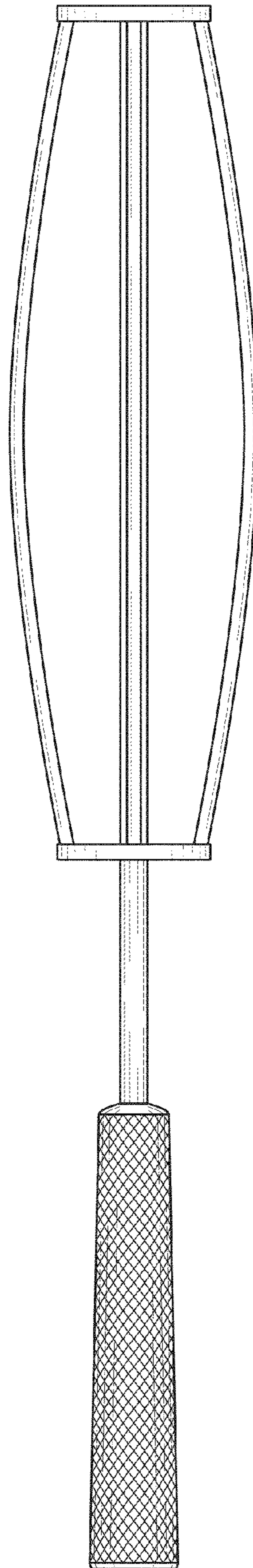


FIG. 2

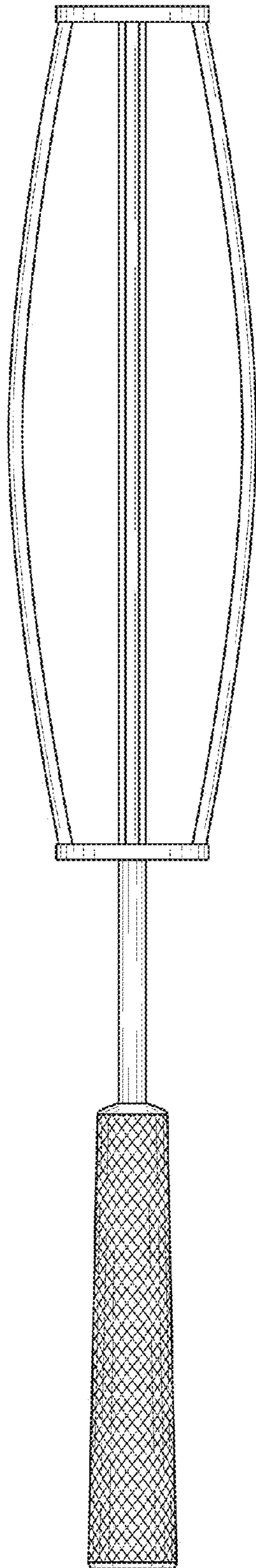


FIG. 3

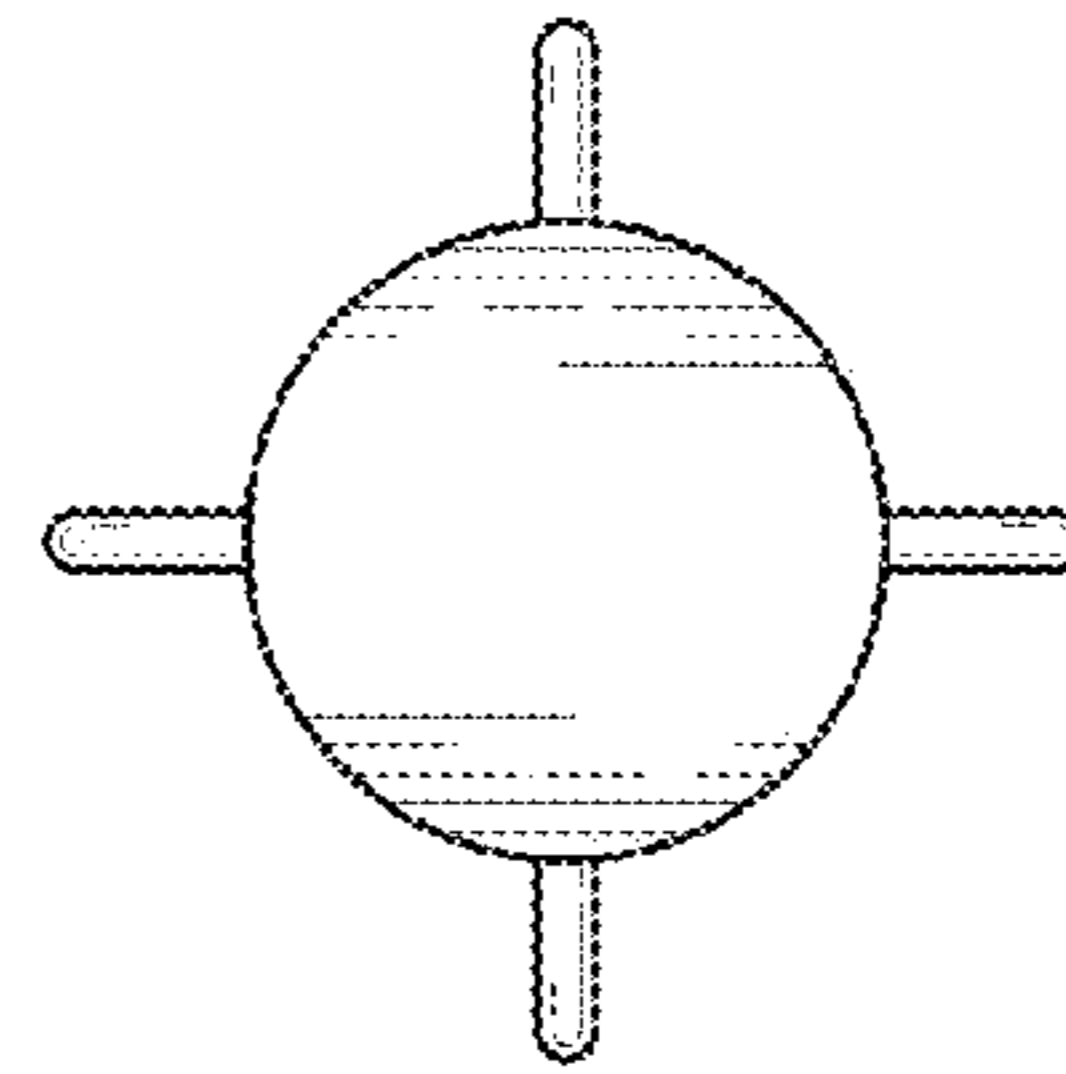


FIG. 4

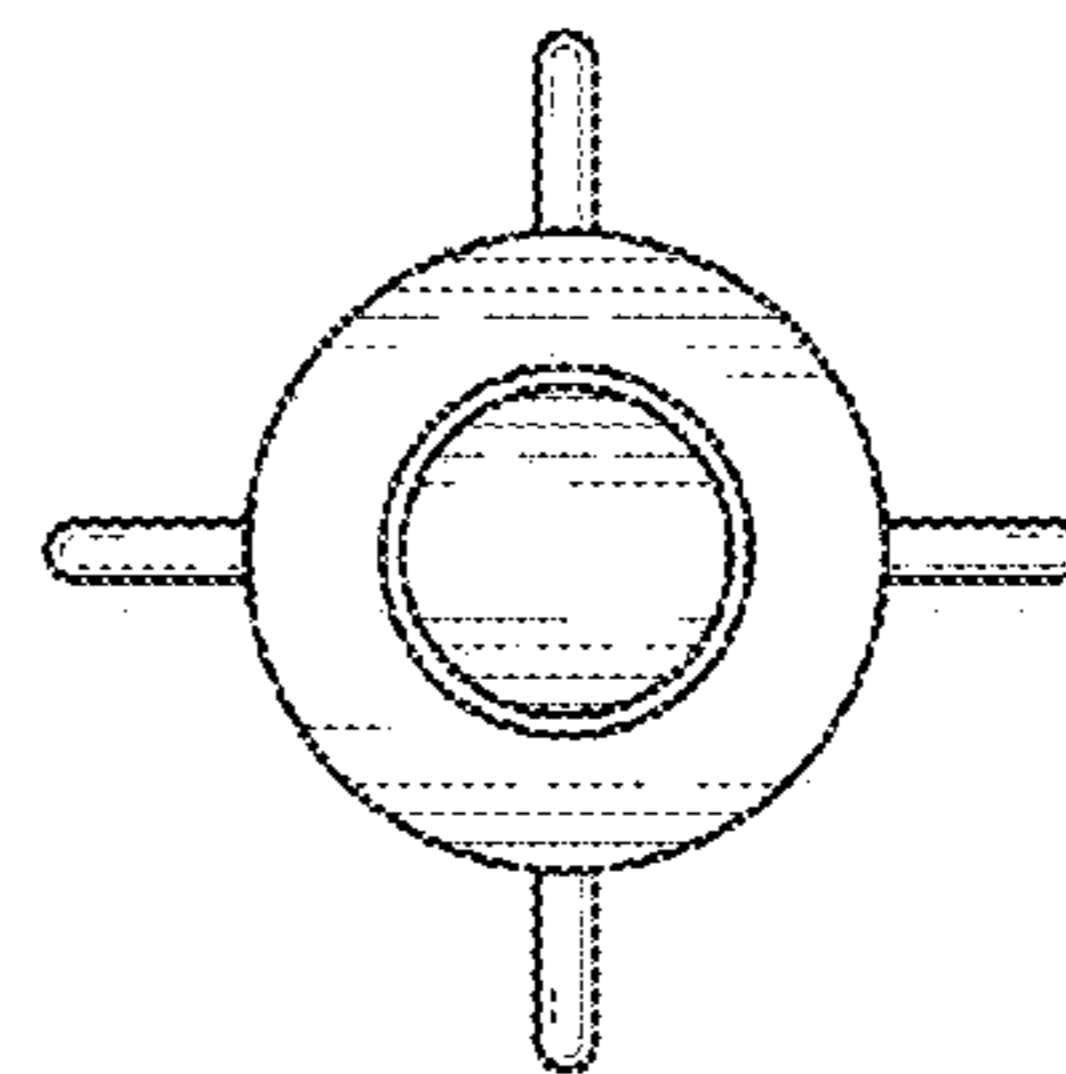


FIG. 5