



US00D683965S

(12) **United States Design Patent**
Ou

(10) **Patent No.:** **US D683,965 S**

(45) **Date of Patent:** **** Jun. 11, 2013**

(54) **TOOL HOLDER**

(76) Inventor: **Yu-Hua Ou**, Taichung (TW)

(**) Term: **14 Years**

(21) Appl. No.: **29/417,349**

(22) Filed: **Apr. 2, 2012**

(51) **LOC (9) Cl.** **03-02**

(52) **U.S. Cl.**
USPC **D3/315**

(58) **Field of Classification Search**

USPC ... D3/315, 284, 273, 313, 905, 282; 220/500,
220/527, 528; 206/372-379; D9/415; D8/71;
211/70.6

See application file for complete search history.

(56) **References Cited**

U.S. PATENT DOCUMENTS

D415,415	S	*	10/1999	Robertson	D3/315
5,975,297	A	*	11/1999	Kao	206/378
6,092,656	A	*	7/2000	Ernst	206/378
D446,651	S	*	8/2001	Liao	D3/284
8,205,758	B2	*	6/2012	Shih	211/70.6

8,307,980	B1	*	11/2012	Kao	206/378
8,381,905	B1	*	2/2013	Kao	206/378
8,387,792	B2	*	3/2013	Chen	206/378

* cited by examiner

Primary Examiner — Ian Simmons

Assistant Examiner — Charles Hanson

(74) *Attorney, Agent, or Firm* — Muncy, Geissler, Olds & Lowe, PLLC

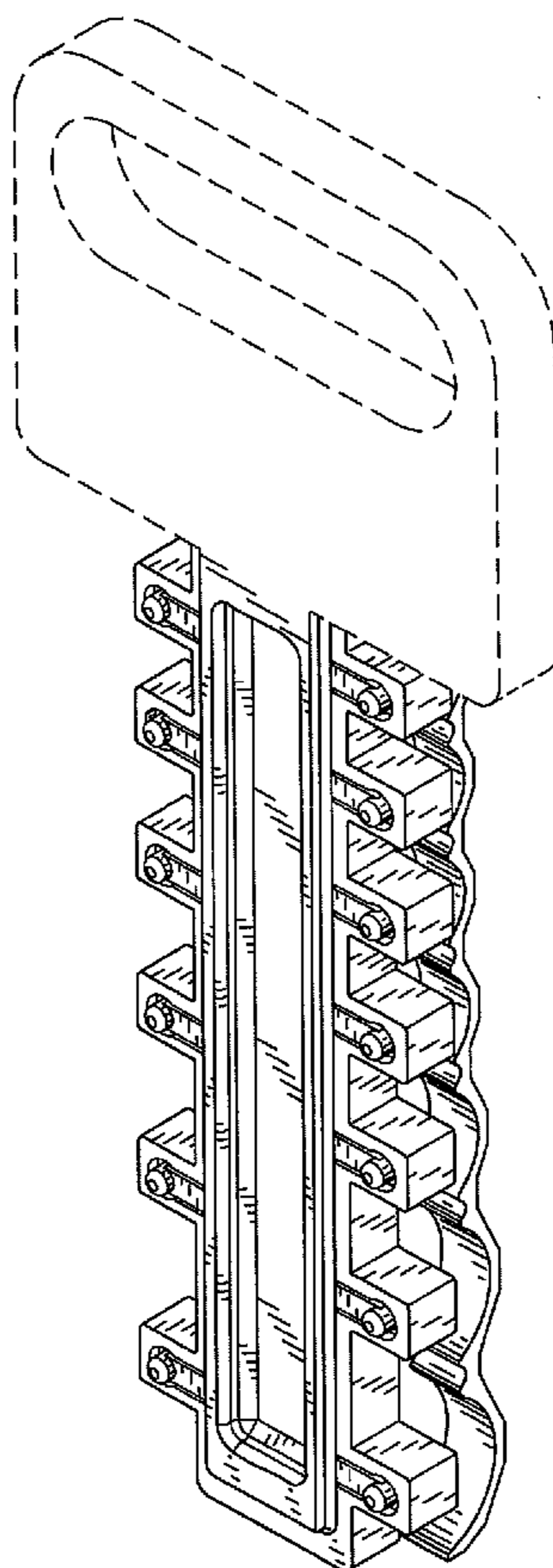
(57) **CLAIM**

I claim the ornamental design for a tool holder, as shown and described.

DESCRIPTION

FIG. 1 is a right, front perspective view of a tool holder showing my new design;
FIG. 2 is a front view thereof;
FIG. 3 is a rear view thereof;
FIG. 4 is a left side view thereof;
FIG. 5 is a right side view thereof;
FIG. 6 is a top plan view thereof;
FIG. 7 is a bottom plan view thereof;
FIG. 8 is a right, rear perspective view thereof; and,
FIG. 9 is a perspective view thereof.
The portions shown in broken lines are for illustrative purposes only and form no part of the claimed design.

1 Claim, 7 Drawing Sheets



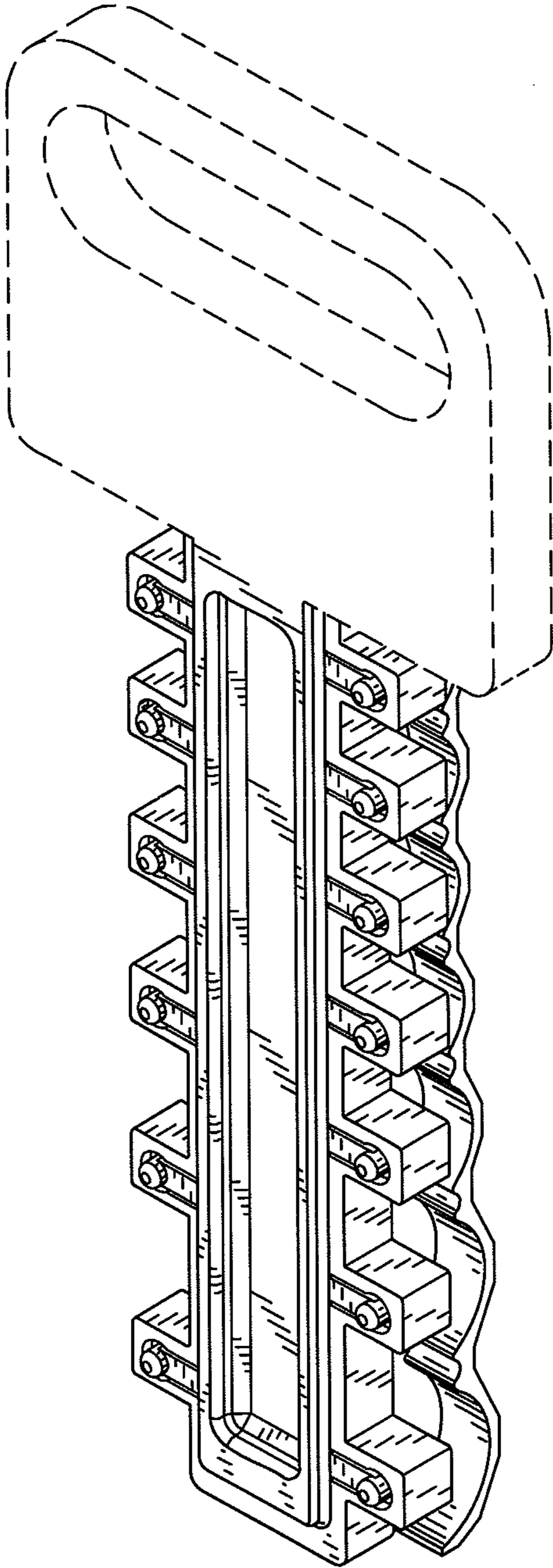


FIG. 1

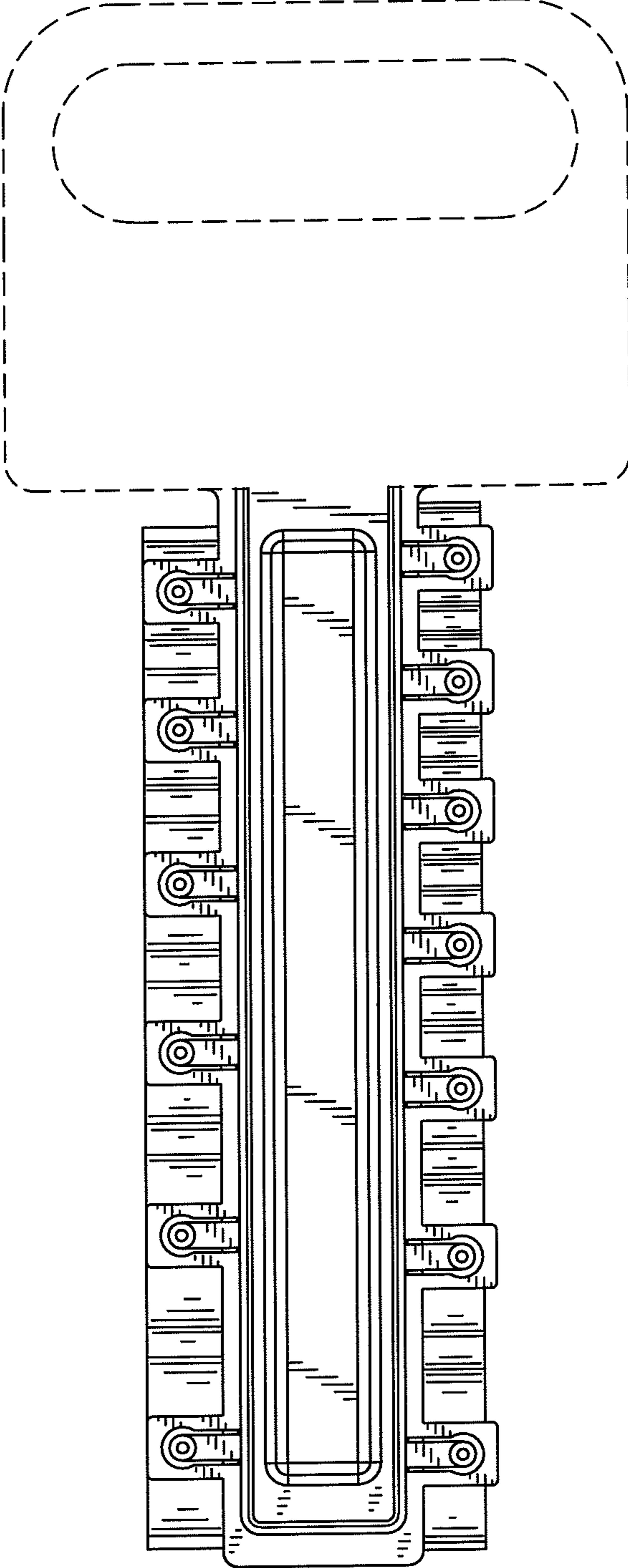


FIG. 2

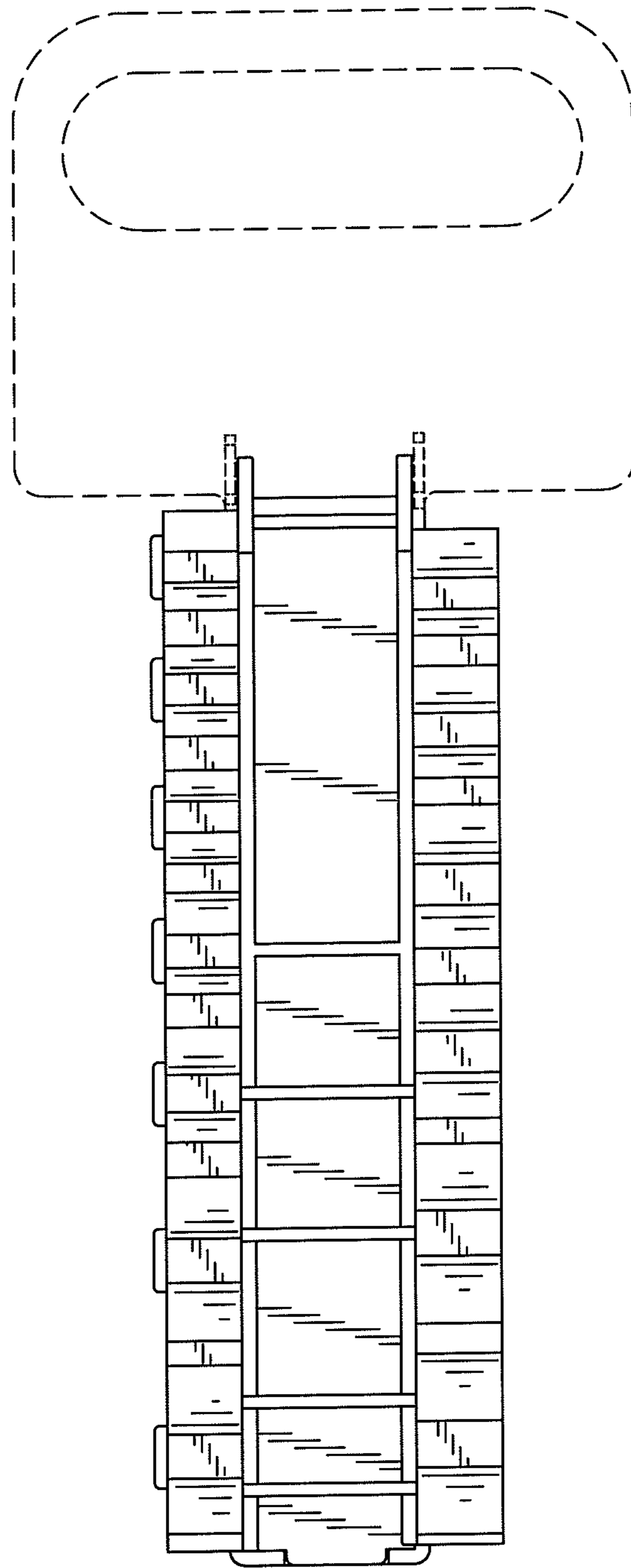


FIG. 3

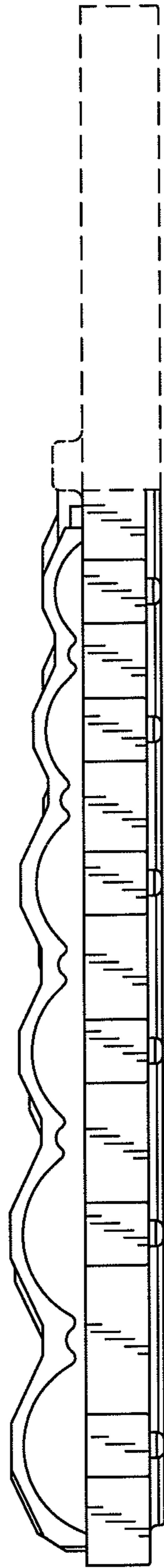


FIG. 4

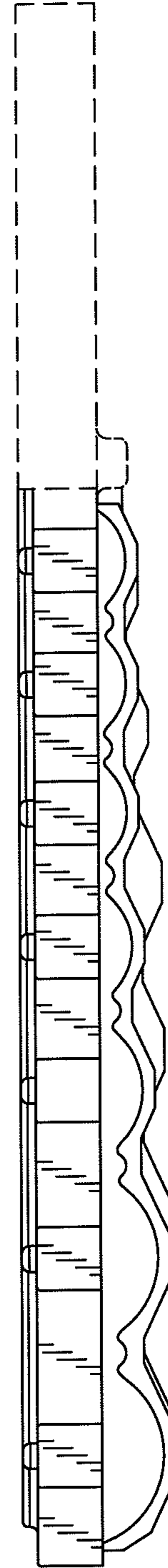


FIG. 5

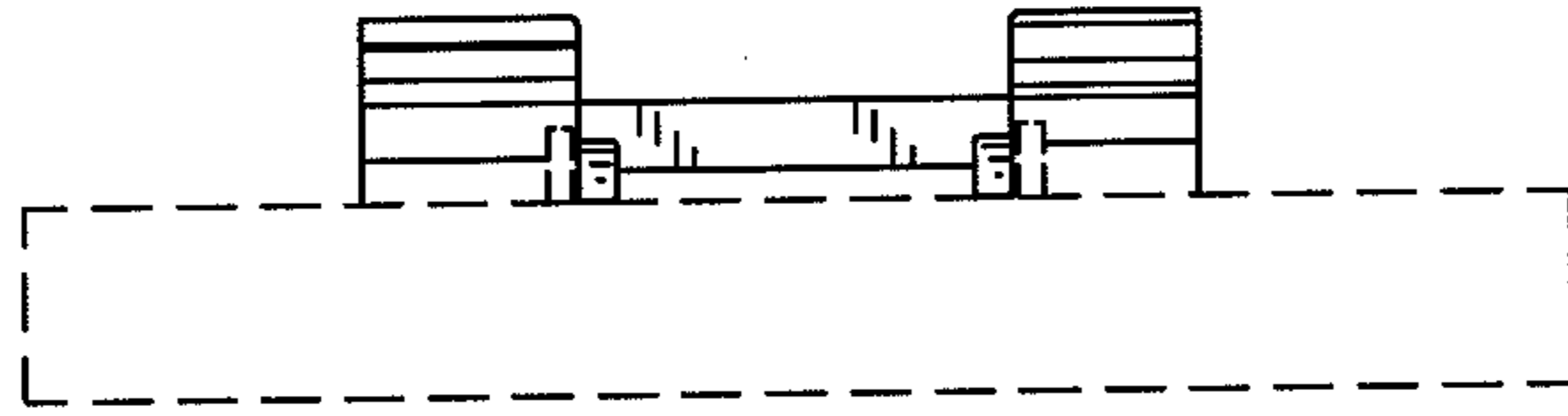


FIG. 6

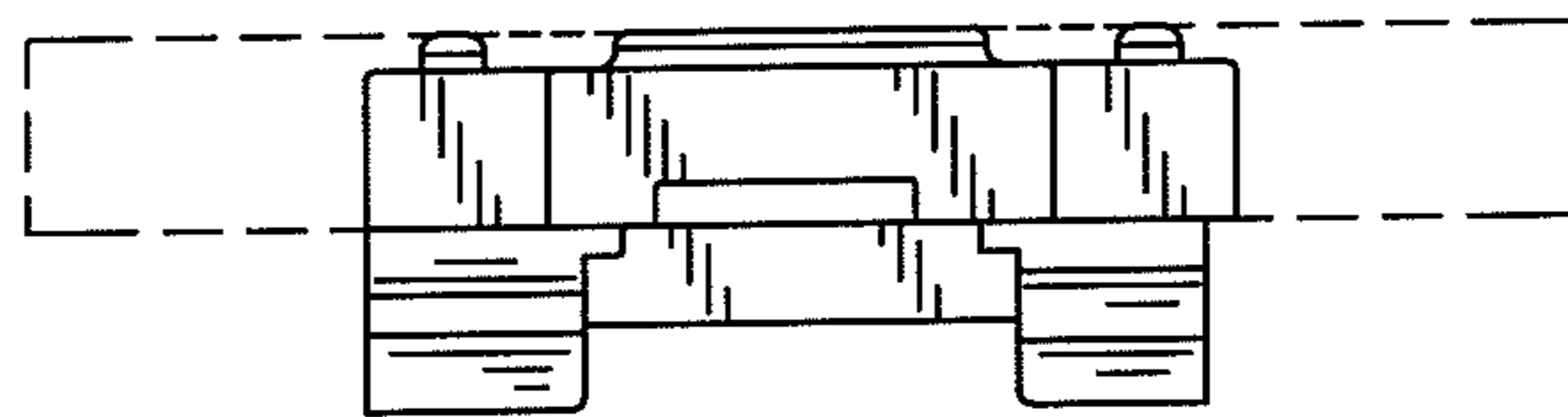


FIG. 7

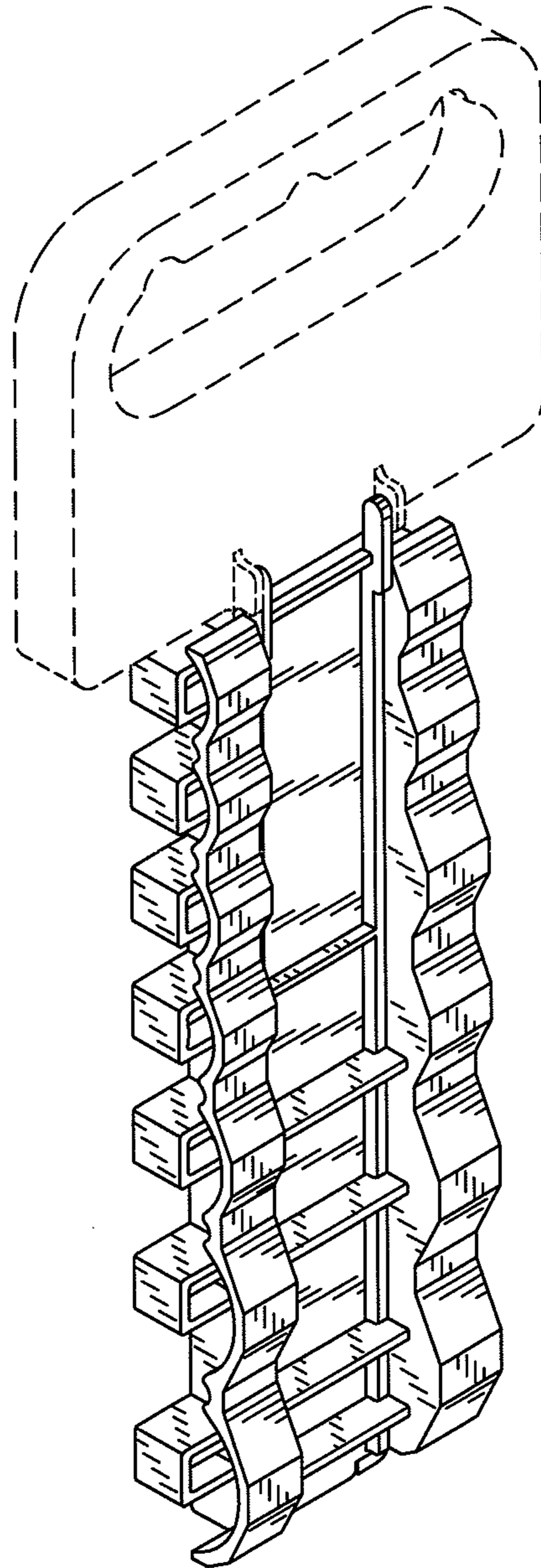


FIG. 8

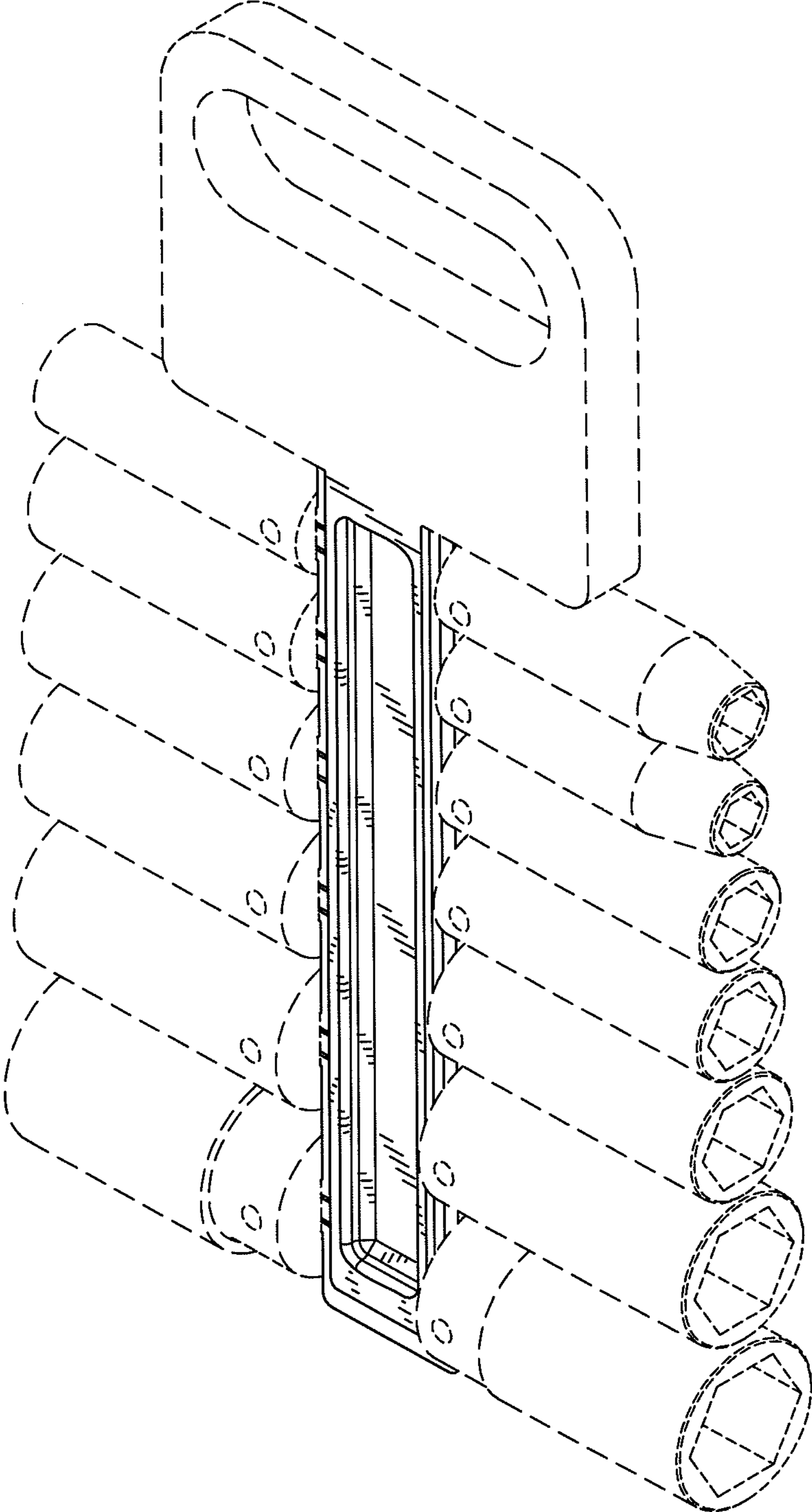


FIG. 9