



US00D683964S

(12) **United States Design Patent**
Brunner

(10) **Patent No.:** **US D683,964 S**
(45) **Date of Patent:** **** Jun. 11, 2013**

(54) **STAND FOR TOOLS OR SIMILAR ARTICLES**

(75) Inventor: **Yaron Brunner**, Timrat (IL)

(73) Assignee: **Keter Plastic Ltd.**, Herzl Yia (IL)

(**) Term: **14 Years**

(21) Appl. No.: **29/404,976**

(22) Filed: **Oct. 27, 2011**

(30) **Foreign Application Priority Data**

Apr. 28, 2011 (IL) 50964

(51) **LOC (9) CL.** **03-01**

(52) **U.S. CL.**
USPC **D3/313**

(58) **Field of Classification Search**
USPC D3/304-305, 310-311, 313-315,
D3/318-319; D19/75-77, 81-83; 206/505-506,
206/508, 510-511; 220/486-495, 752, 760,
220/762, 764, 768-769, 771, 773
See application file for complete search history.

(56) **References Cited**

U.S. PATENT DOCUMENTS

D191,573 S *	10/1961	Peirchalski	D6/525
D285,998 S *	10/1986	Langensiepen	D12/424
D316,565 S *	4/1991	Rust	D19/75
D317,178 S *	5/1991	Kheng	D19/75
D332,630 S *	1/1993	Brussing	D19/77
D332,631 S *	1/1993	Klodt	D19/78
D356,829 S *	3/1995	Russomano et al.	D19/77
D366,500 S *	1/1996	Goldthwaite	D19/82

D367,948 S *	3/1996	Hsu	D28/73
D450,456 S *	11/2001	Warren, III	D3/313
D490,244 S *	5/2004	Pero	D3/315
D497,184 S *	10/2004	Bain	D19/75
D580,987 S *	11/2008	Diller	D19/77
D585,494 S *	1/2009	Yoshikawa	D19/78
D661,097 S *	6/2012	Dretzka	D3/313
D661,489 S *	6/2012	Kraemer	D3/313
D663,982 S *	7/2012	Purcell et al.	D6/525

* cited by examiner

Primary Examiner — Kelley Donnelly

(74) *Attorney, Agent, or Firm* — Nath, Goldberg & Meyer;
Jerald L. Meyer; Scott C. Langford

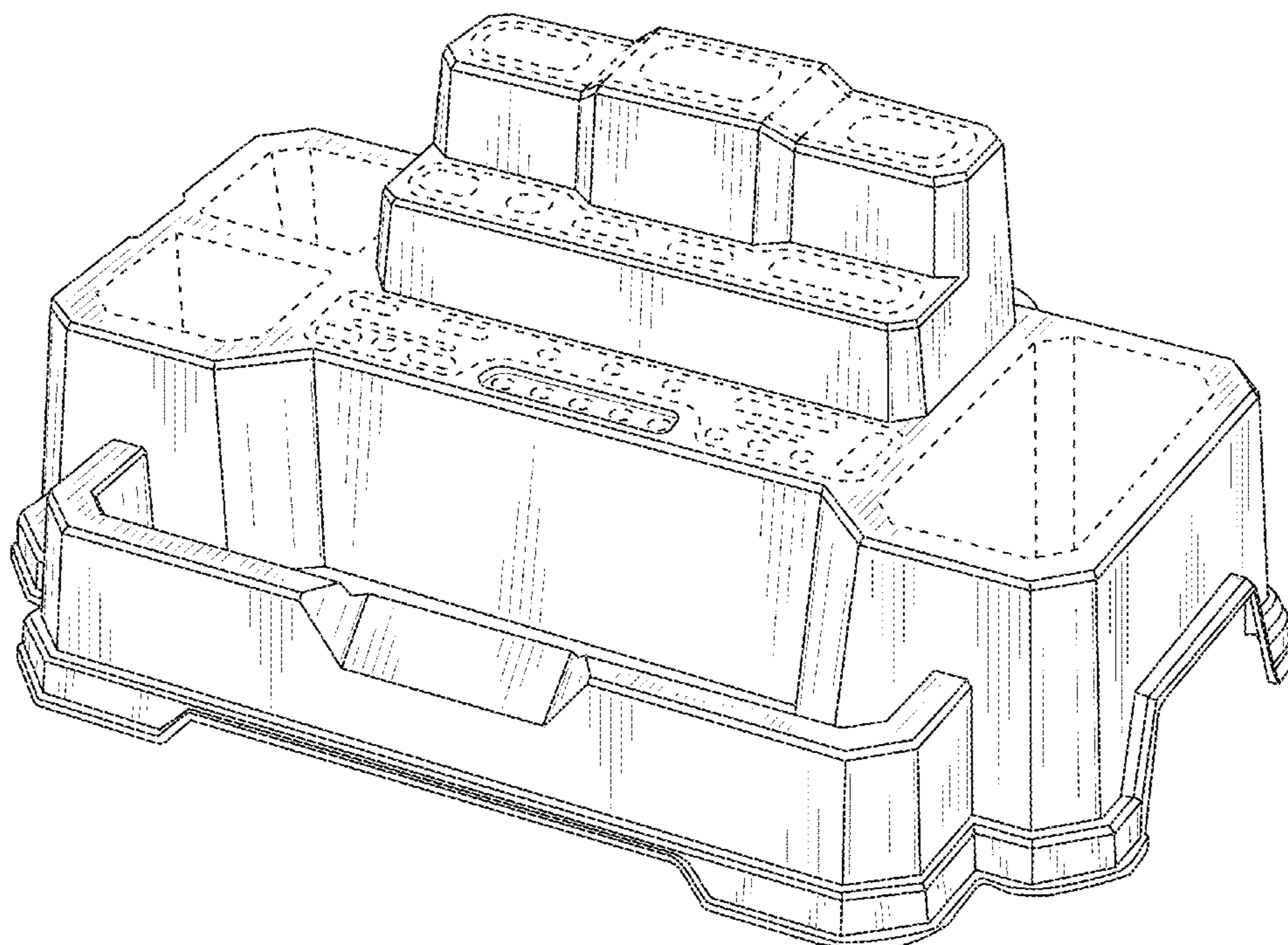
(57) **CLAIM**

The ornamental design for a stand for tools or similar articles, as shown and described.

DESCRIPTION

FIG. 1 is a top perspective view for a stand for tools or similar articles;
FIG. 2 is a front perspective view of the design for a stand for tools or similar articles as seen in FIG. 1;
FIG. 3 is a side elevational view of the design for a stand for tools or similar articles as seen in FIG. 1, the other side being a mirror image thereof; and,
FIG. 4 is a top planar view of the design for a stand for tools or similar articles as seen in FIG. 1.
The broken lines shown in the figures are included for the purpose of illustrating environment of the design and form no part of the claimed design.

1 Claim, 4 Drawing Sheets



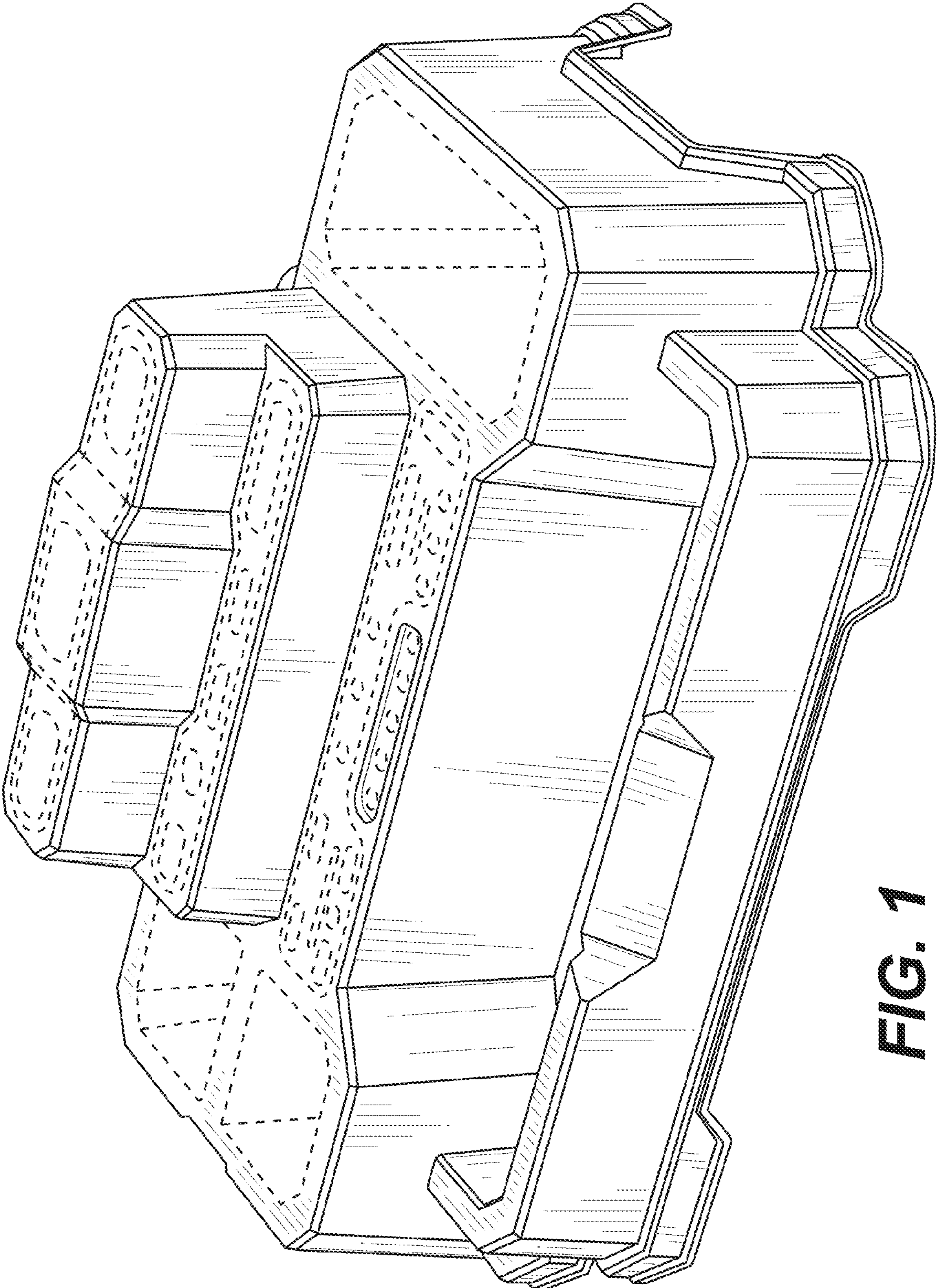


FIG. 1

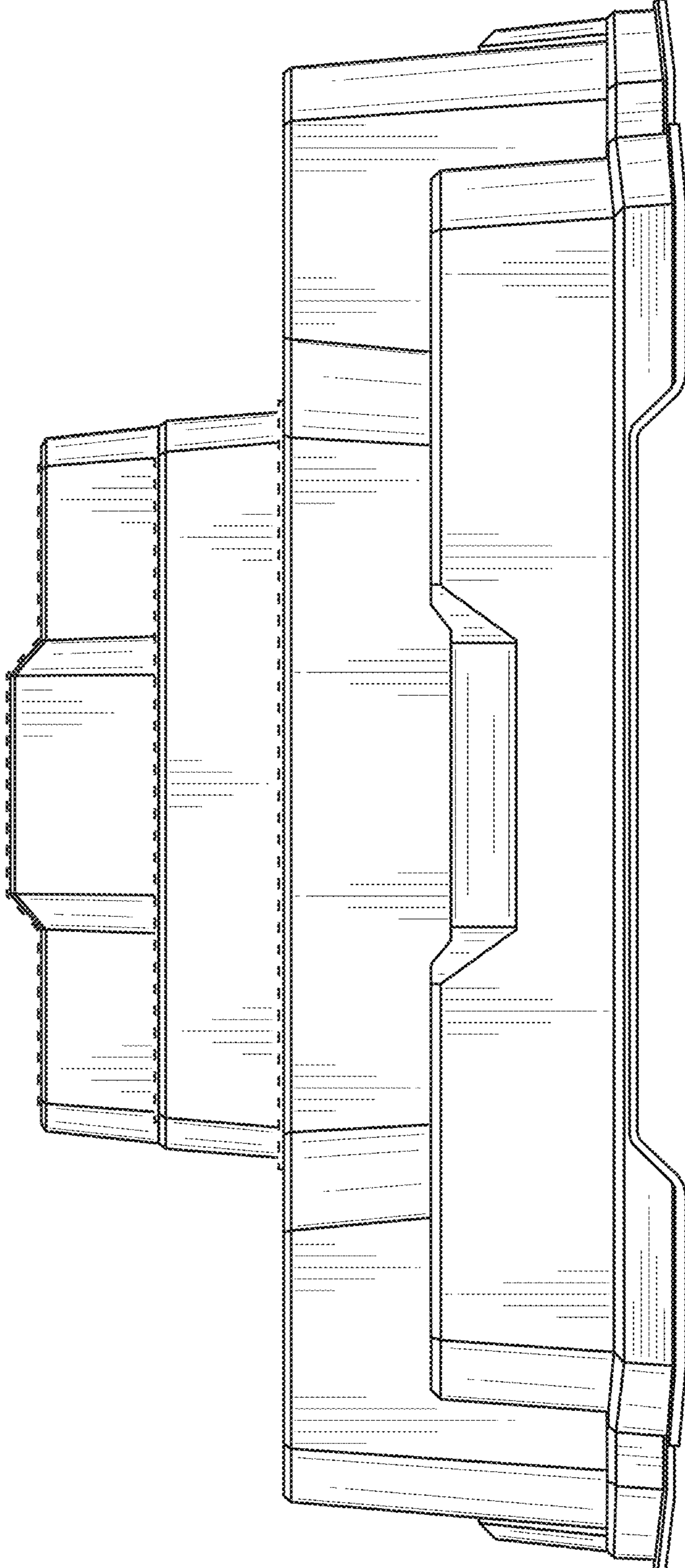


FIG. 2

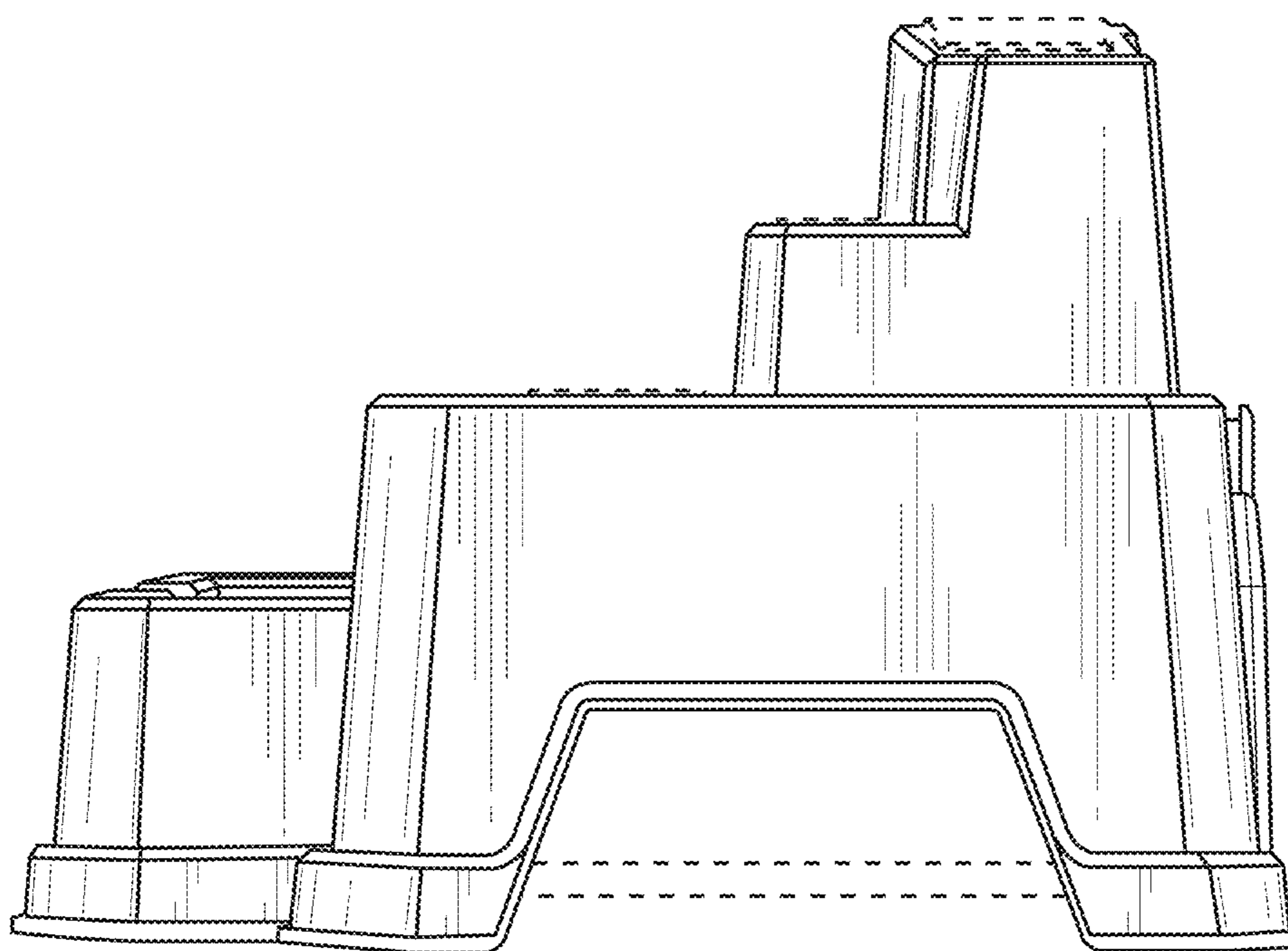


FIG. 3

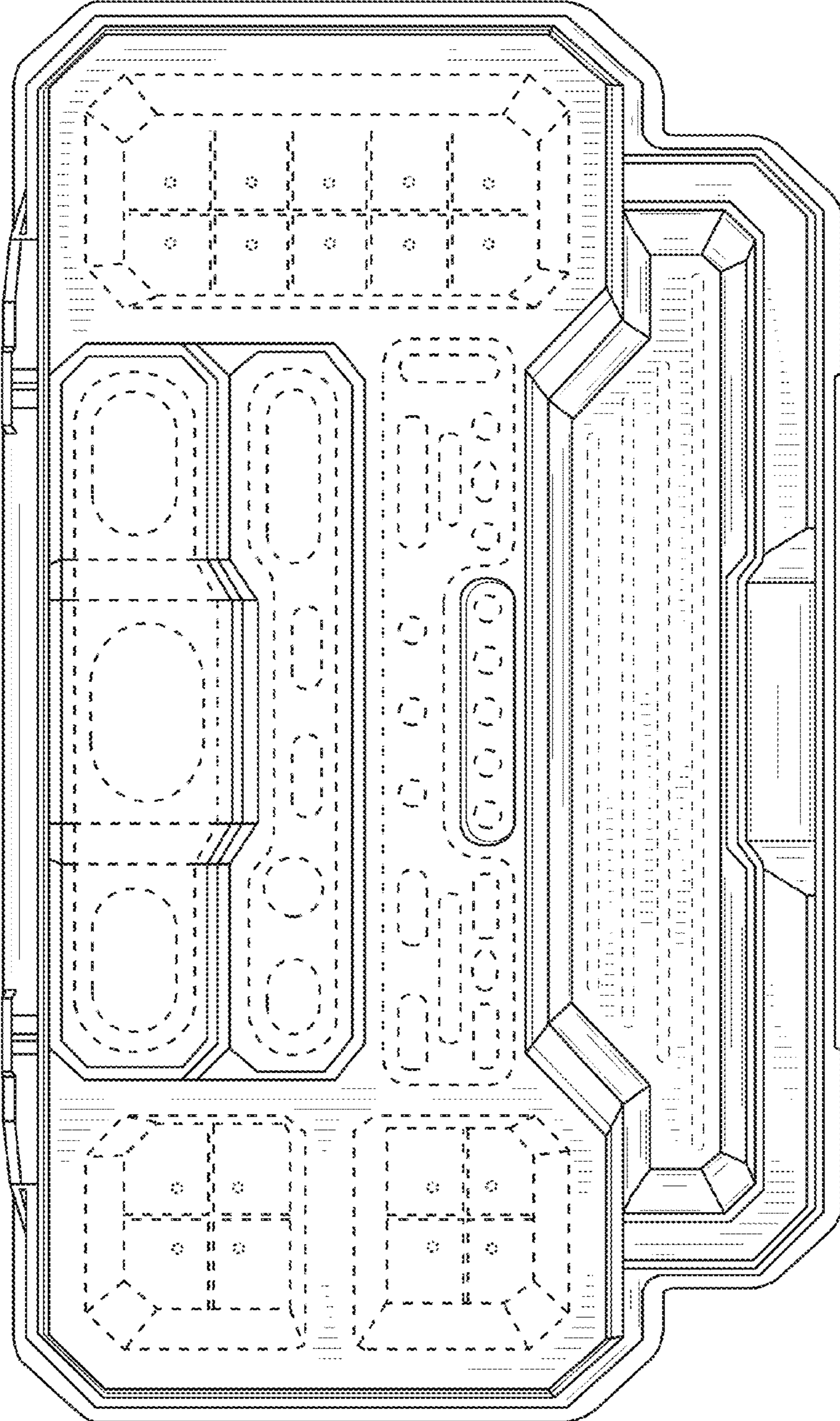


FIG. 4