



US00D683962S

(12) **United States Design Patent**
Brunner

(10) **Patent No.:** **US D683,962 S**
(45) **Date of Patent:** **** Jun. 11, 2013**

(54) **CONTAINER**

(75) Inventor: **Yaron Brunner**, Timrat (IL)

(73) Assignee: **Keter Plastic Ltd.**, Herzelyia (IL)

(**) Term: **14 Years**

(21) Appl. No.: **29/404,979**

(22) Filed: **Oct. 27, 2011**

(30) **Foreign Application Priority Data**

Apr. 28, 2011 (IL) 50964

(51) **LOC (9) Cl.** **03-01**

(52) **U.S. Cl.**

USPC **D3/304**

(58) **Field of Classification Search**

USPC D3/304-315, 201, 203.1-203.3;
D7/601-603, 605, 708; D19/75, 77, 90-92;
D9/414, 424-426, 429; 206/315.1, 503, 505;
220/662, 669, 672

See application file for complete search history.

(56) **References Cited**

U.S. PATENT DOCUMENTS

1,862,609	A *	6/1932	Shaw	312/107
3,113,680	A *	12/1963	Frater et al.	211/126.4
3,252,614	A *	5/1966	Evans	206/509
D205,866	S *	9/1966	Asenbauer	D3/304
3,478,892	A *	11/1969	Lockwood	211/126.2
3,534,866	A *	10/1970	Asenbauer	211/126.2
D242,659	S *	12/1976	Clipson et al.	D3/307
4,015,713	A *	4/1977	Clipson et al.	206/509
D245,716	S *	9/1977	Russo	D30/118
D272,576	S *	2/1984	Klein	D3/304
D301,927	S *	6/1989	Williams, Jr.	D3/304
D327,560	S *	6/1992	Hradisky	D3/307
D327,561	S *	6/1992	Hradisky	D3/307
D327,971	S *	7/1992	Cugley	D3/304
D364,524	S *	11/1995	Bassler et al.	D6/567

D448,567	S *	10/2001	Buss	D3/310
D467,732	S *	12/2002	Taylor et al.	D3/304
D517,319	S *	3/2006	Wisnoski et al.	D3/304
D583,562	S *	12/2008	Ghiorghie	D3/304
D606,314	S *	12/2009	Neilsen	D3/313
D621,619	S *	8/2010	Ripoll	D3/304
D635,770	S *	4/2011	Kobilarcik et al.	D3/304
D636,601	S *	4/2011	Brown et al.	D3/304
D639,560	S *	6/2011	Brown et al.	D3/304
D640,489	S *	6/2011	Tuholski	D6/574
D651,801	S *	1/2012	Brown	D3/304
D653,601	S *	2/2012	Stroud et al.	D12/416
D673,297	S *	12/2012	Hawker	D24/227
D674,216	S *	1/2013	Erickson	D6/683.1
D674,623	S *	1/2013	Erickson	D6/683.1
D676,573	S *	2/2013	Austria	D24/227
2009/0178989	A1 *	7/2009	Accuardi	211/126.7

* cited by examiner

Primary Examiner — Kelley Donnelly

(74) *Attorney, Agent, or Firm* — Nath, Goldberg & Meyer;
Jerald L. Meyer; Scott Langford

(57) **CLAIM**

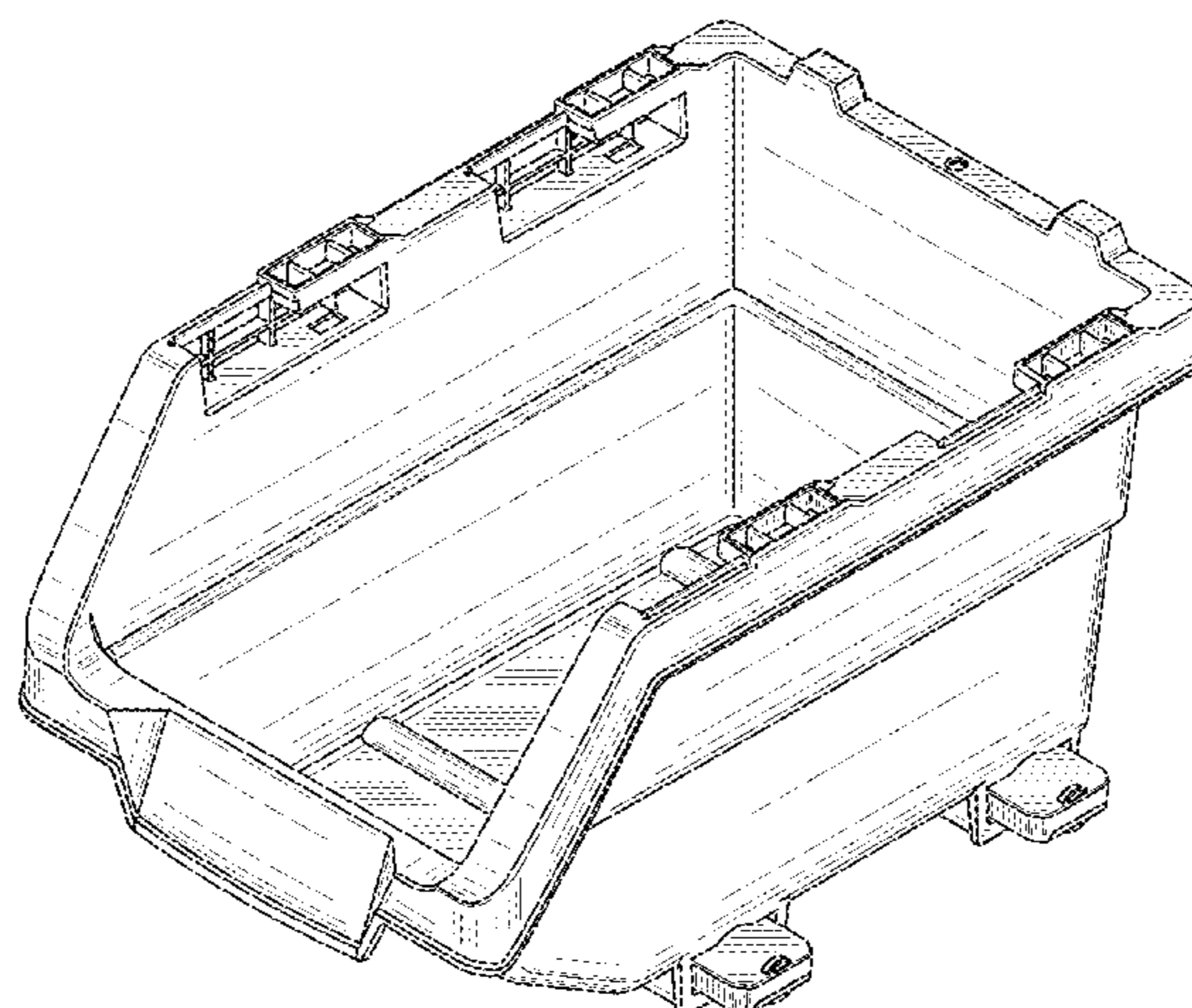
The ornamental design for a container, as shown and described.

DESCRIPTION

FIG. 1 is a top perspective view for a container;
FIG. 2 is a front elevational view of the design for a container as seen in FIG. 1;
FIG. 3 is a right side elevational view of the design for a container as seen in FIG. 1;
FIG. 4 is a left side elevational view of the design for a container as seen in FIG. 1; and,
FIG. 5 is a top planar view of the design for a container as seen in FIG. 1.

The broken lines are for the purpose of illustrating the environment of the design only and form no part of the claimed design.

1 Claim, 5 Drawing Sheets



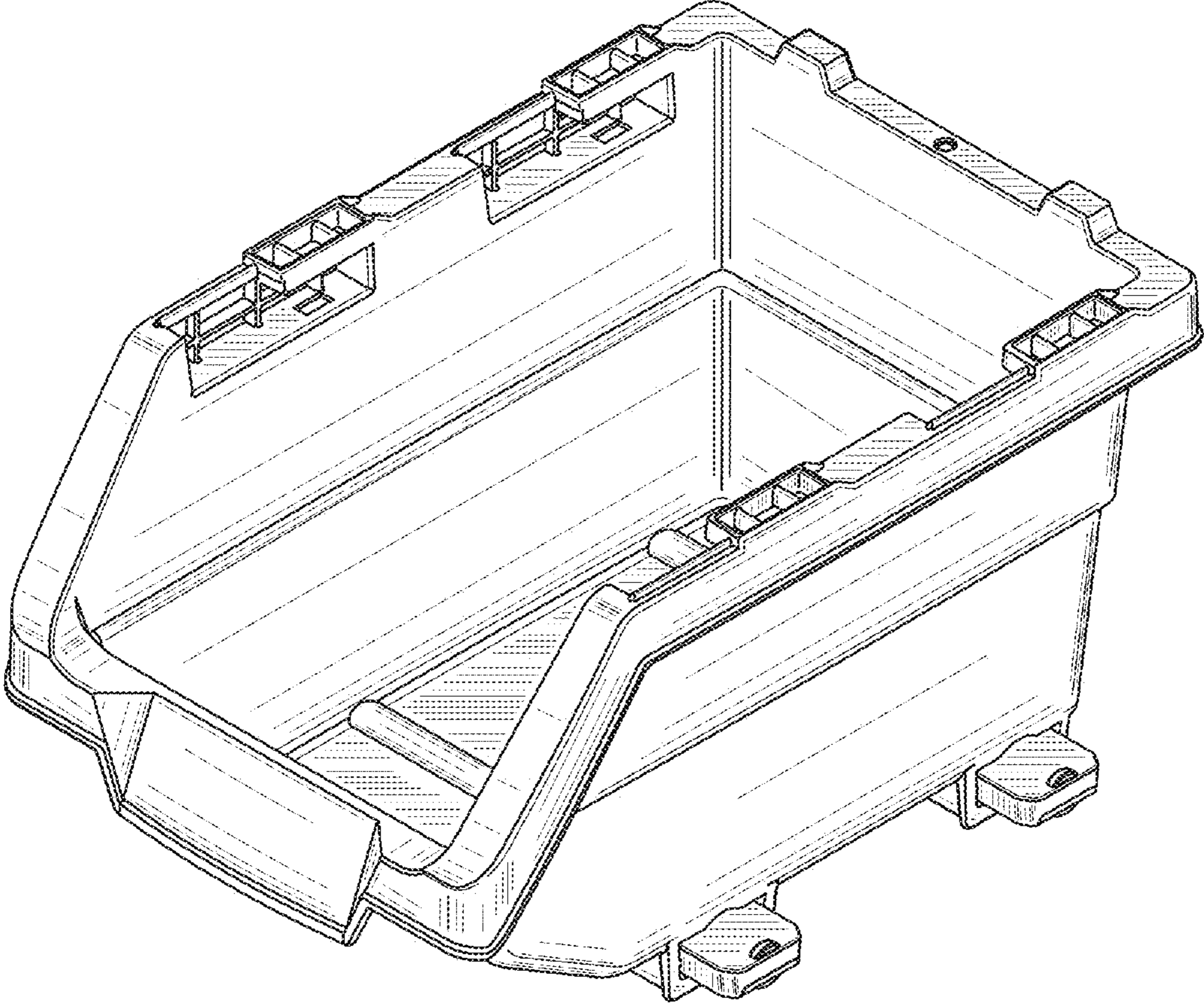


FIG. 1

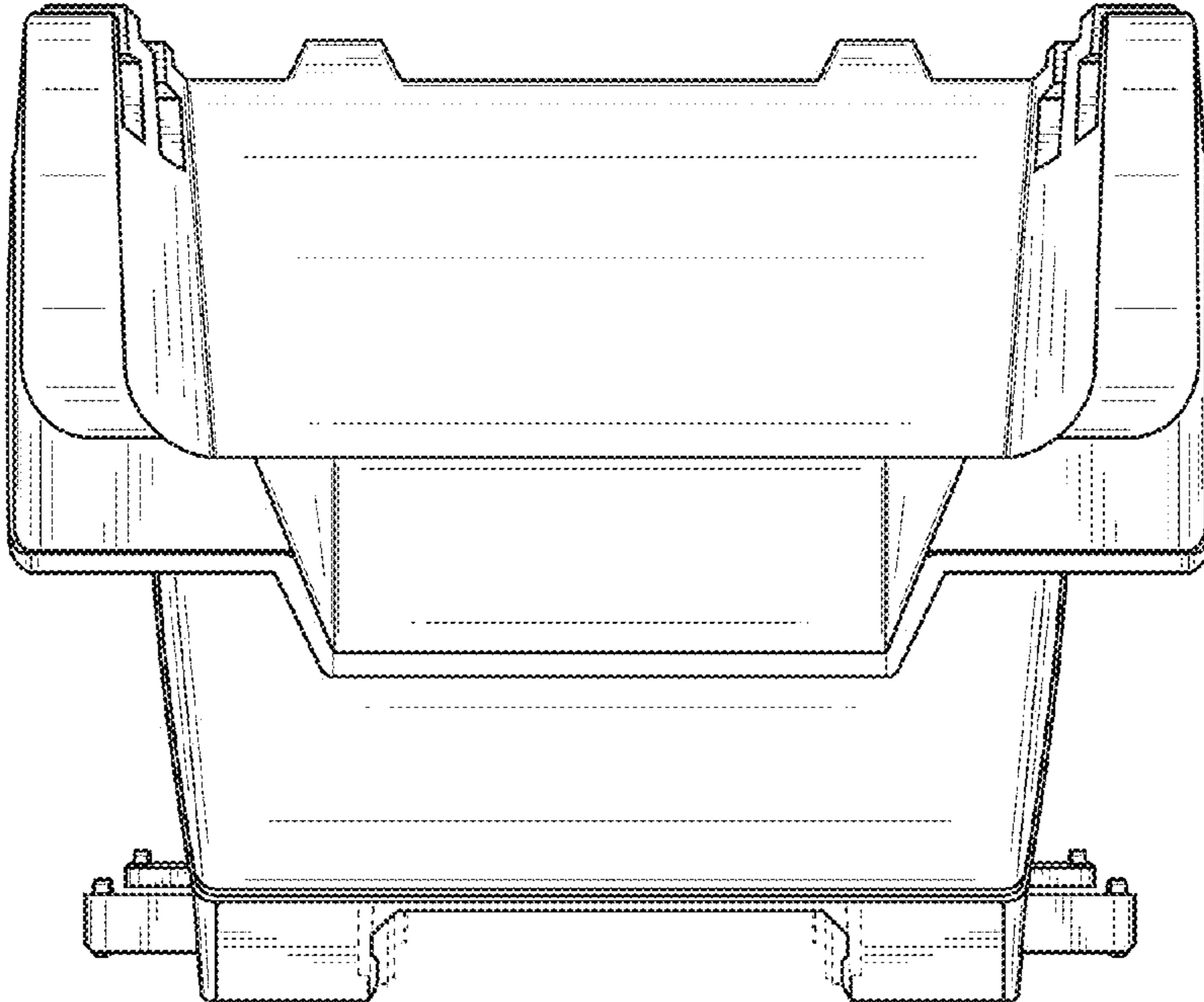


FIG. 2

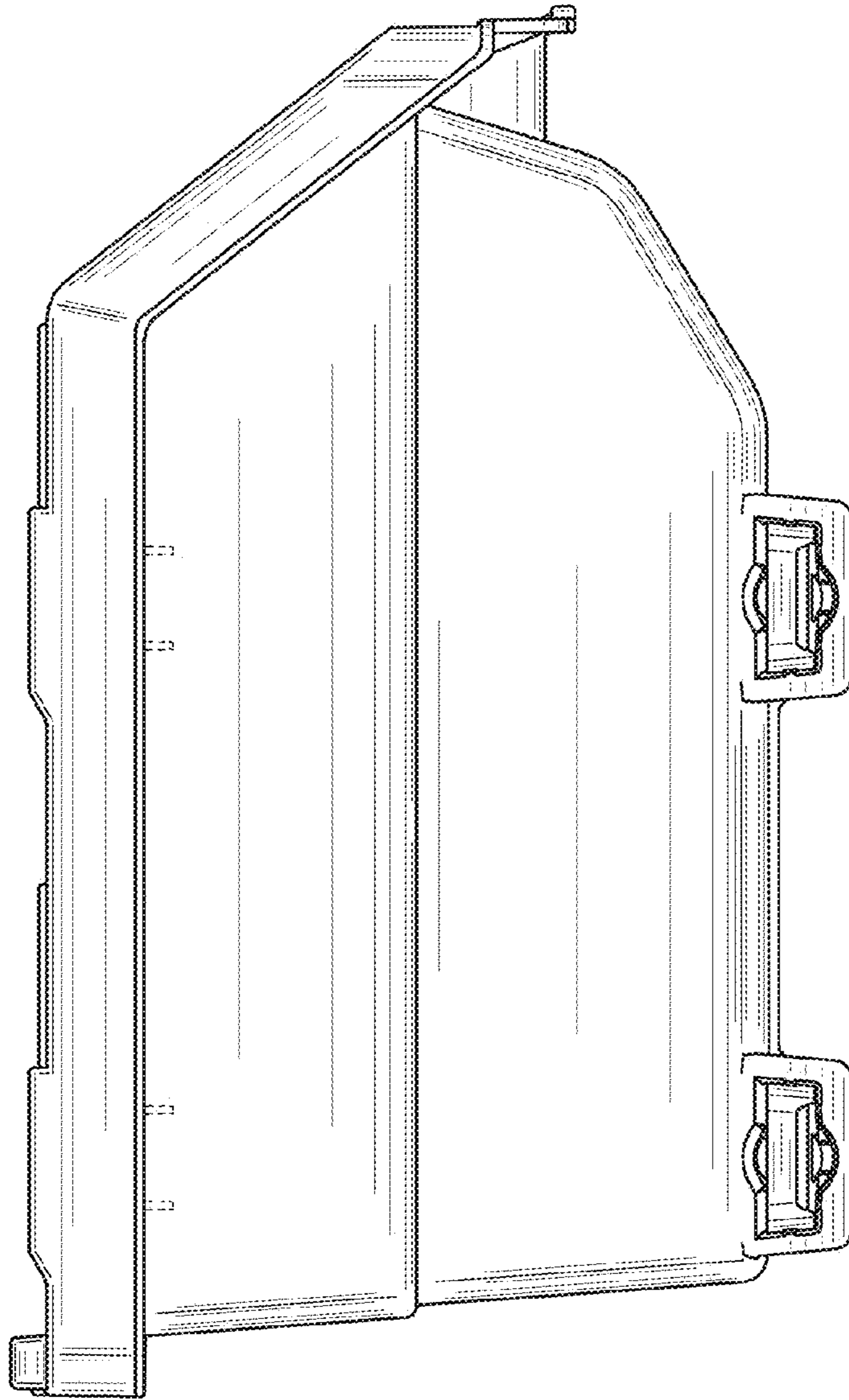


FIG. 3

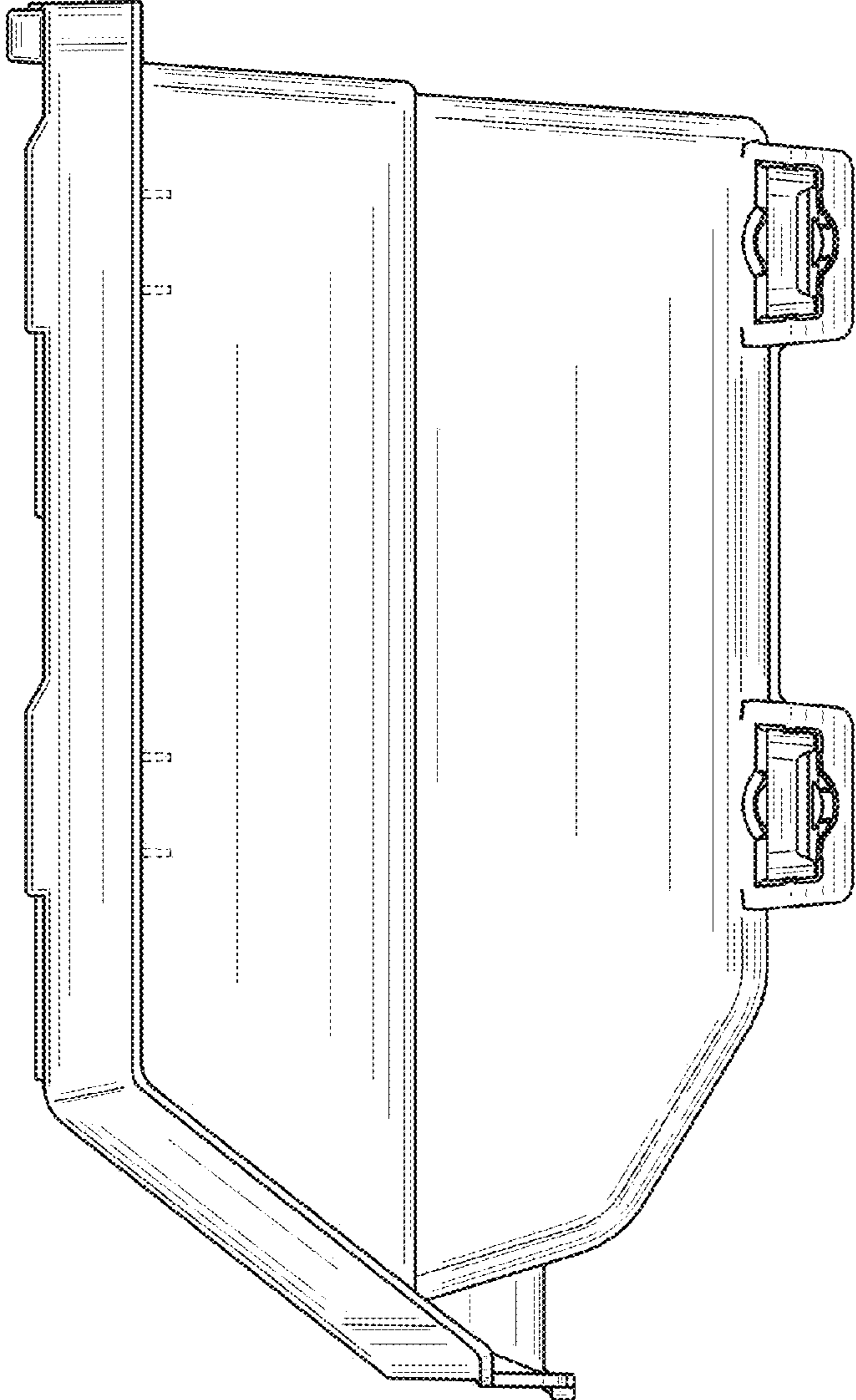


FIG. 4

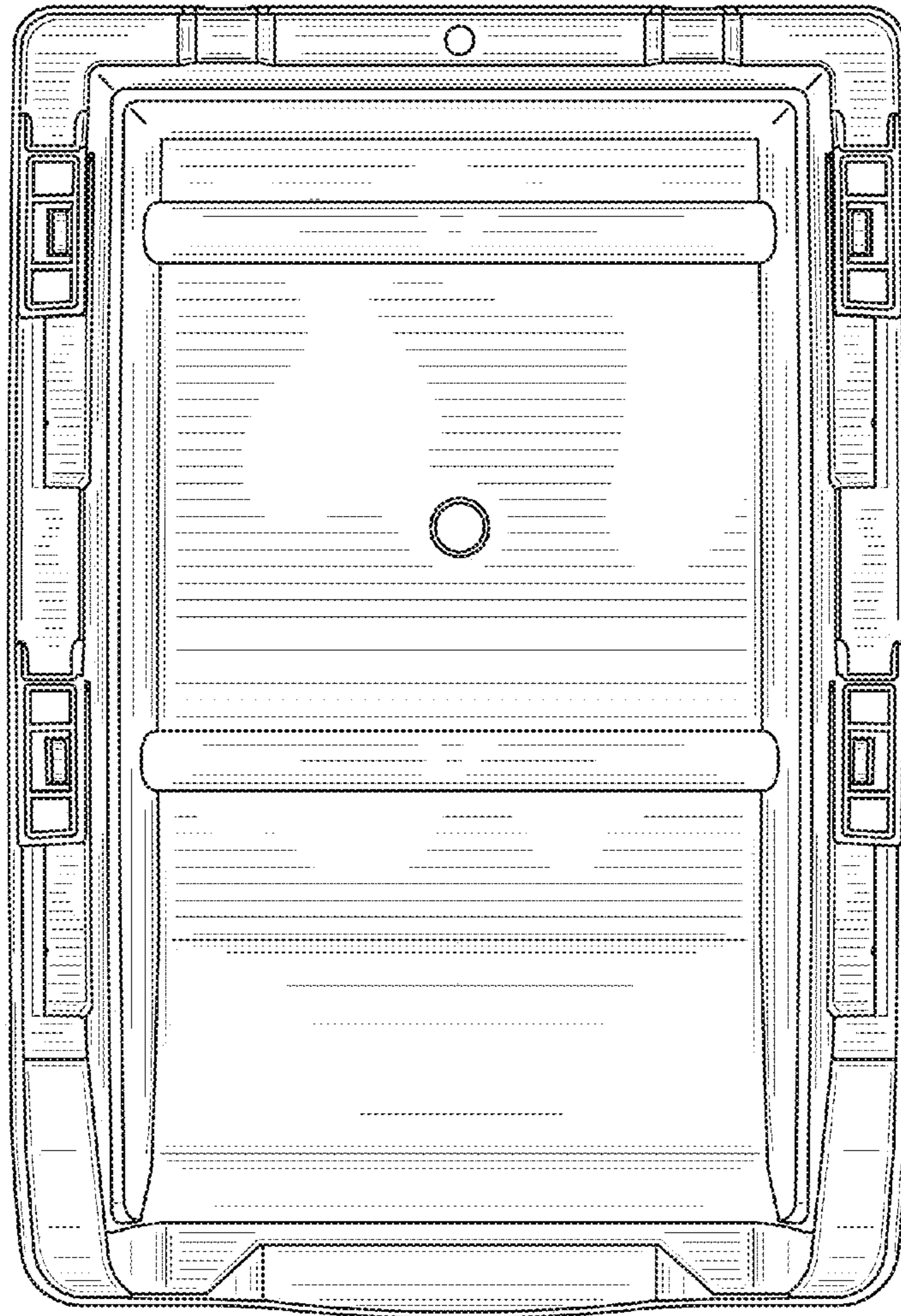


FIG. 5