



US00D683960S

(12) **United States Design Patent**  
**Robbins et al.**

(10) **Patent No.:** **US D683,960 S**  
(45) **Date of Patent:** **\*\* Jun. 11, 2013**

(54) **WALLET FOR ELECTRONIC DEVICES**

(76) Inventors: **David G. Robbins**, East Islip, NY (US);  
**Susan Robbins**, East Islip, NY (US)

(\*\*) Term: **14 Years**

(21) Appl. No.: **29/429,480**

(22) Filed: **Aug. 11, 2012**

**Related U.S. Application Data**

(63) Continuation of application No. 29/361,472, filed on May 11, 2010, now Pat. No. Des. 668,045.

(51) **LOC (9) Cl.** ..... **03-01**

(52) **U.S. Cl.**  
USPC ..... **D3/269**

(58) **Field of Classification Search**  
USPC ..... D3/201, 215, 218, 269, 273, 294,  
D3/300, 303, 287, 283, 289, 274; D14/217,  
D14/432, 250, 247; 206/320, 576, 214;  
455/575.8; 190/109, 110, 111, 900, 902  
See application file for complete search history.

(56) **References Cited**

**U.S. PATENT DOCUMENTS**

D318,413 S *	7/1991	McNulty, Jr. ....	D8/356
D398,446 S *	9/1998	Hosea .....	D3/247
6,568,576 B1	5/2003	Godshaw	
D491,046 S *	6/2004	Johnson .....	D8/356
D506,066 S *	6/2005	Nieves .....	D3/299
D541,042 S *	4/2007	Andre et al. ....	D3/218
D559,532 S *	1/2008	Kwak et al. ....	D3/218
D570,101 S *	6/2008	Harris et al. ....	D3/218
D593,749 S	6/2009	Holzner et al.	
D606,740 S	12/2009	Fahrendorff et al.	
D607,198 S *	1/2010	Andre et al. ....	D3/218
D608,092 S	1/2010	Holzner et al.	
D609,462 S	2/2010	Bullen	
D609,463 S	2/2010	Bullen	

D609,464 S	2/2010	Bullen	
D628,375 S *	12/2010	Andre et al. ....	D3/218
D655,497 S *	3/2012	Stanley .....	D3/218
2001/0035444 A1	11/2001	Alis	
2002/0100782 A1	8/2002	Marvin	

(Continued)

**OTHER PUBLICATIONS**

Photo image of a product with accompanying packaging identifying the product as a Cell Phone Wallet. The image was taken at a vendor in a shopping center on Long Island, New York on or about Oct. 16, 2010. Subsequent to the taking of the photo image, the product could not be relocated and no further information is available.

*Primary Examiner* — Barbara Fox

(74) *Attorney, Agent, or Firm* — Harold G. Furlow, Esq.

(57) **CLAIM**

The ornamental design for a wallet for electronic devices, as shown and described.

**DESCRIPTION**

FIG. 1 is a front, side and first end perspective view of a wallet for electronic devices showing the new design in a closed position;

FIG. 2 is a front, right side and first end perspective view of the wallet of FIG. 1 in an open position;

FIG. 3 is a frontal view of the wallet of FIG. 1 in the closed position;

FIG. 4 is a bottom view thereof;

FIG. 5 is a right side elevation view thereof;

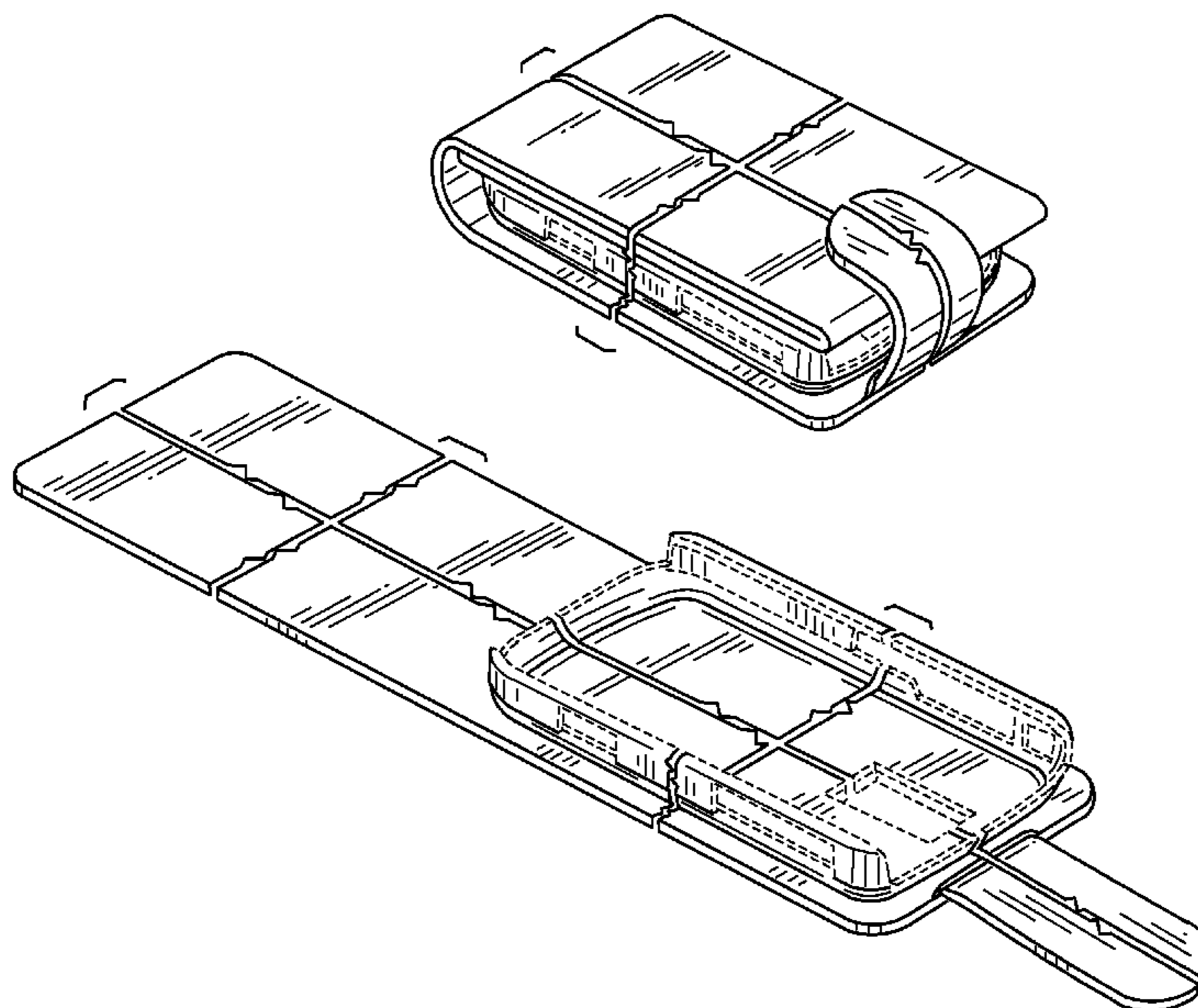
FIG. 6 is a left side elevation view thereof;

FIG. 7 is a first end view thereof; and,

FIG. 8 is a second end view thereof.

The broken lines shown in the drawings represent portions of the wallet for electronic devices which form no part of the claimed design.

**1 Claim, 5 Drawing Sheets**



# US D683,960 S

Page 2

---

## U.S. PATENT DOCUMENTS

2003/0000984 A1 1/2003 Vick, III  
2004/0079776 A1 4/2004 Bauer  
2006/0052064 A1 3/2006 Goradesky

2007/0101479 A1 5/2007 Turner  
2007/0235492 A1 10/2007 Sirichai et al.  
2009/0305001 A1 12/2009 Hsu et al.

\* cited by examiner

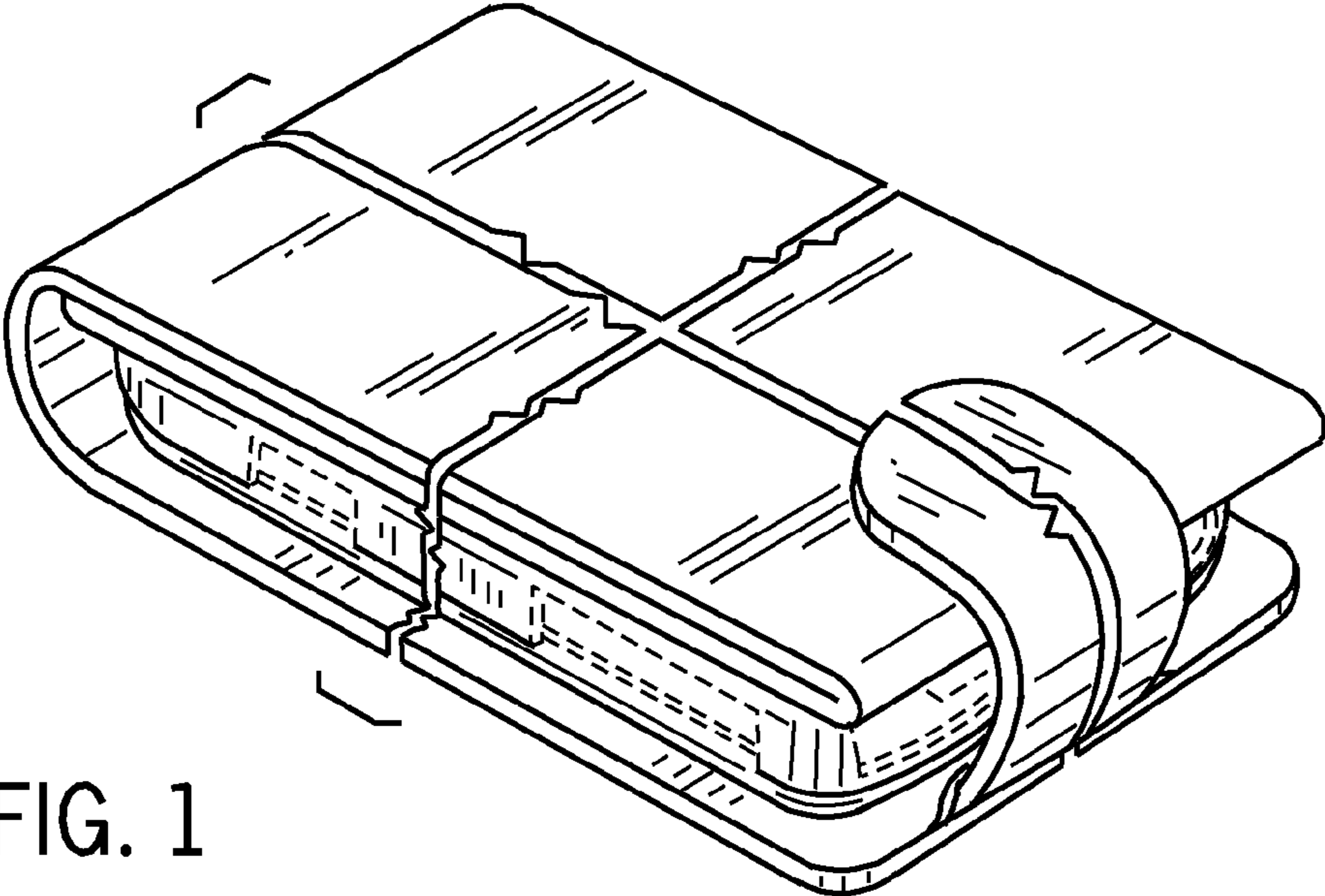


FIG. 1

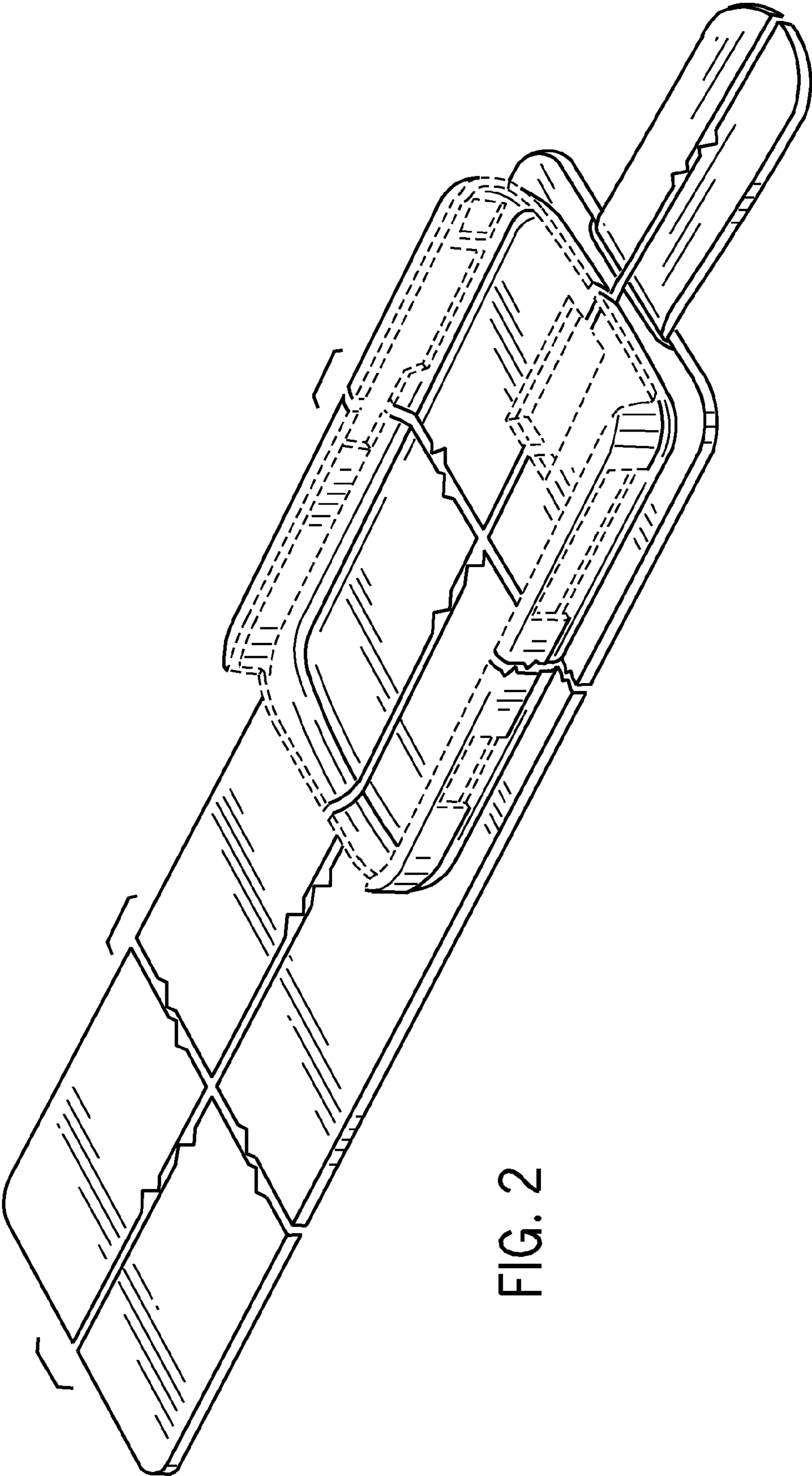


FIG. 2

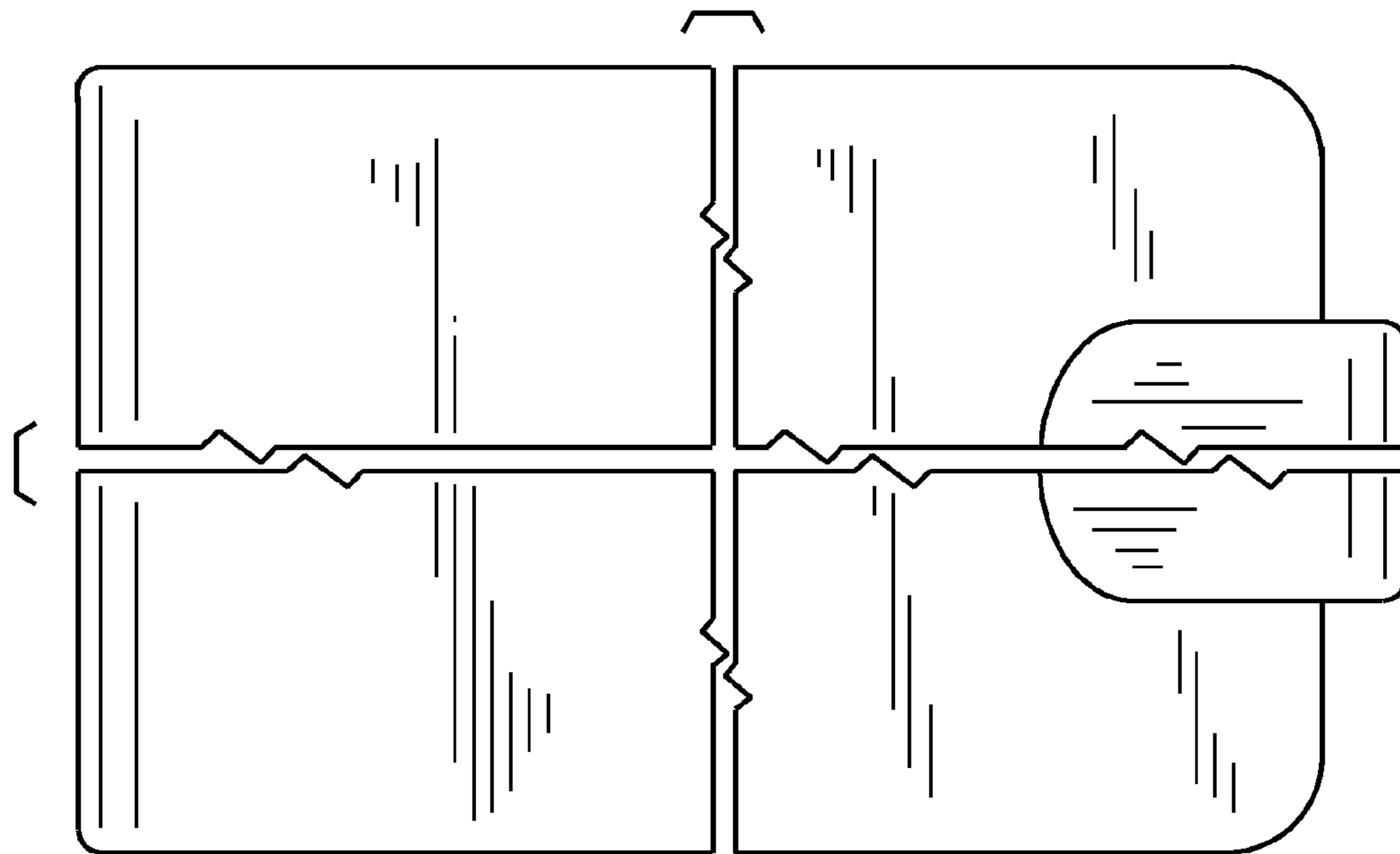


FIG. 3

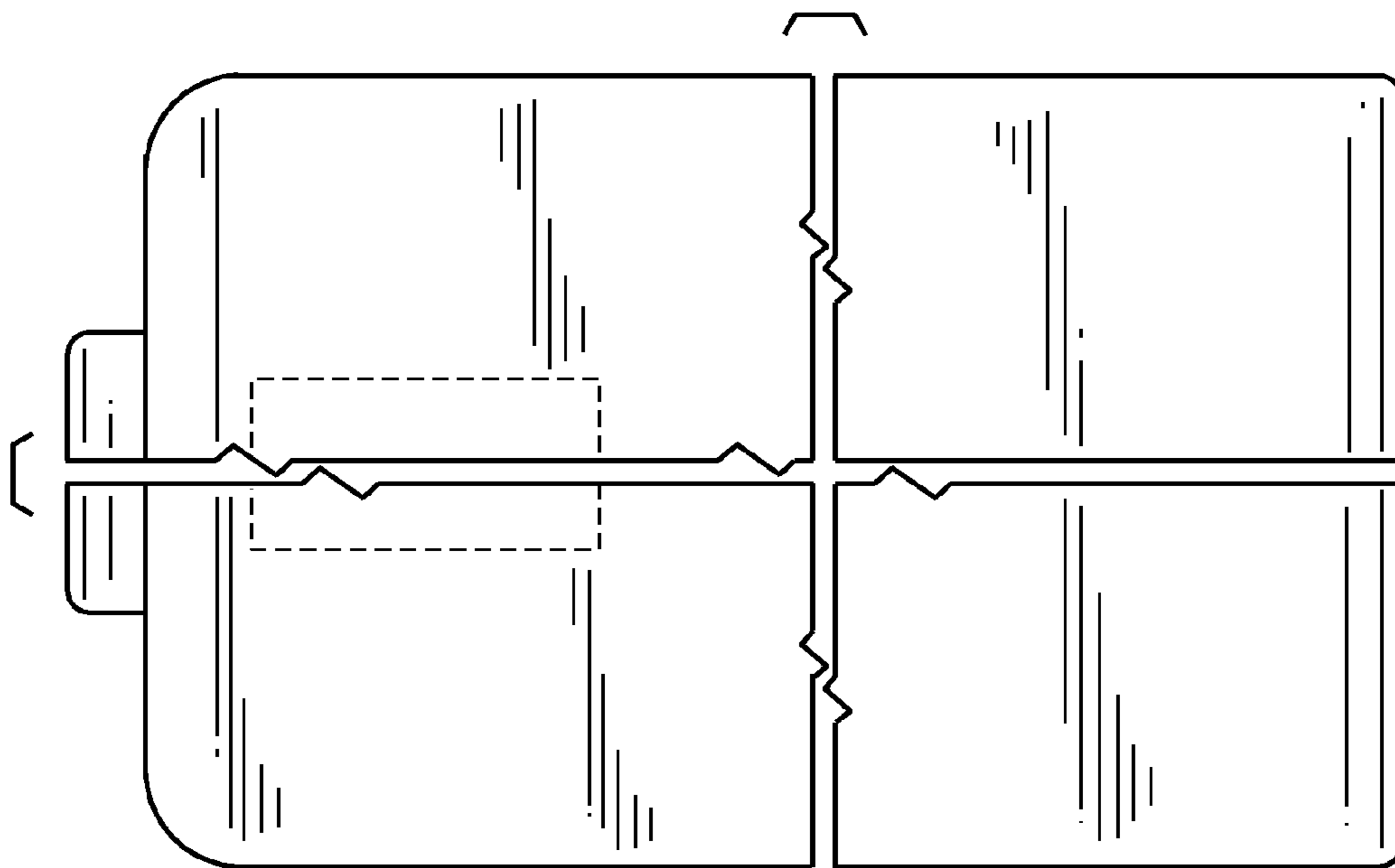


FIG. 4



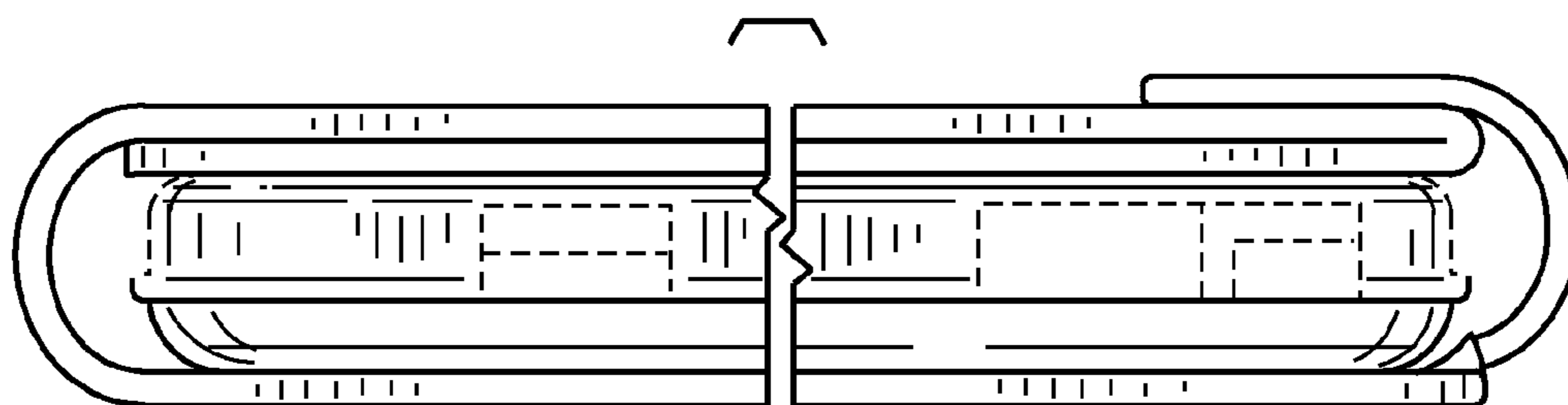


FIG. 5

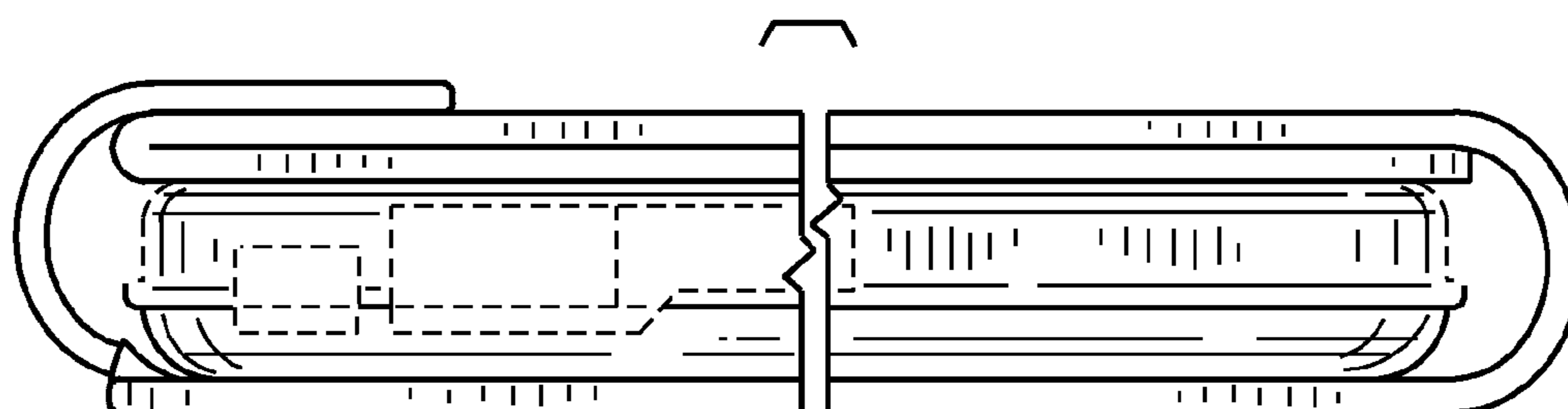


FIG. 6

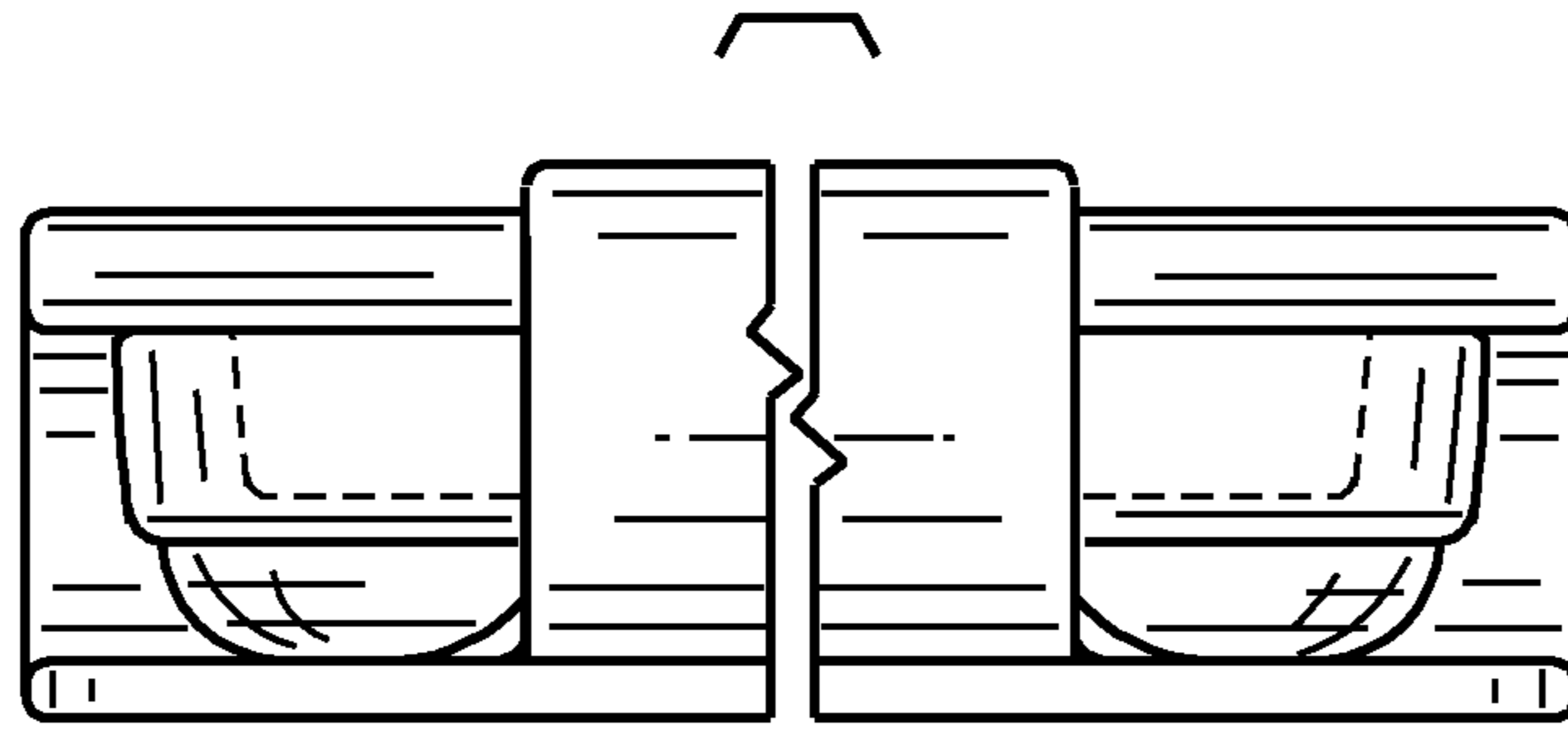


FIG. 7

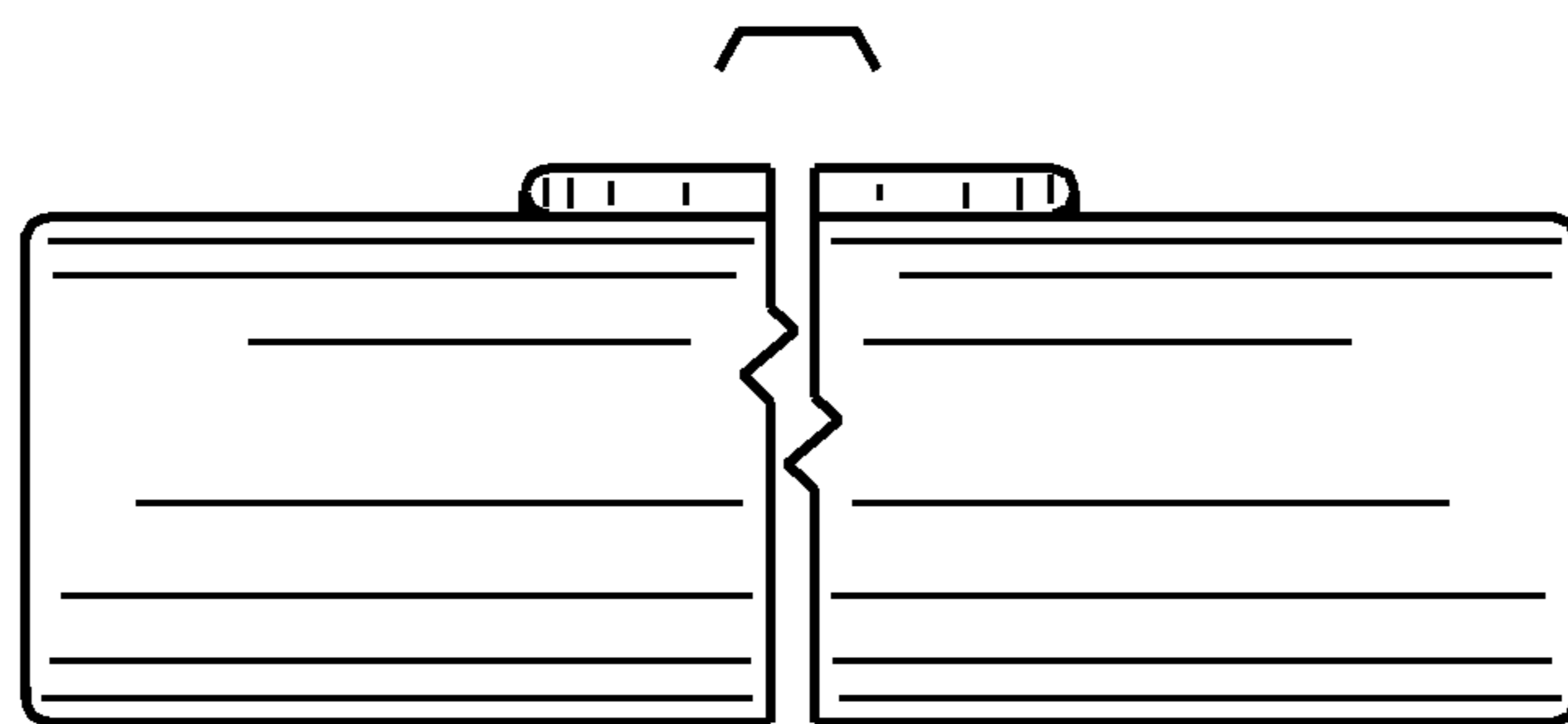


FIG. 8