



US00D683955S

(12) **United States Design Patent**
Melanson et al.

(10) **Patent No.:** **US D683,955 S**
(45) **Date of Patent:** **** Jun. 11, 2013**

(54) **HOLSTER**

(71) Applicant: **Otter Products, LLC**, Fort Collins, CO
(US)

(72) Inventors: **Christopher Melanson**, Fort Collins,
CO (US); **Stephen Willes**, Fort Collins,
CO (US)

(73) Assignee: **Otter Products, LLC**, Fort Collins, CO
(US)

(**) Term: **14 Years**

(21) Appl. No.: **29/433,836**

(22) Filed: **Oct. 5, 2012**

(51) **LOC (9) Cl.** **03-01**

(52) **U.S. Cl.**
USPC **D3/218**

(58) **Field of Classification Search**
USPC D3/218, 201, 215, 219, 272–273;
224/240–241, 245, 578, 667, 683, 929–930;
D14/250, 253, 345, 432, 439–440, 217;
455/575.1–575.8; 379/437, 440, 446–447,
379/449–455

See application file for complete search history.

(56) **References Cited**

U.S. PATENT DOCUMENTS

D339,690	S	*	9/1993	Takahashi et al.	D3/218
D359,616	S	*	6/1995	Ishibashi et al.	D3/218
D635,555	S	*	4/2011	Giles	D14/217
8,086,285	B2	*	12/2011	McNamara et al.	455/575.1
D661,482	S	*	6/2012	Chang et al.	D3/218
D661,483	S	*	6/2012	Weller et al.	D3/218

* cited by examiner

Primary Examiner — Catheri Oliver-Garcia

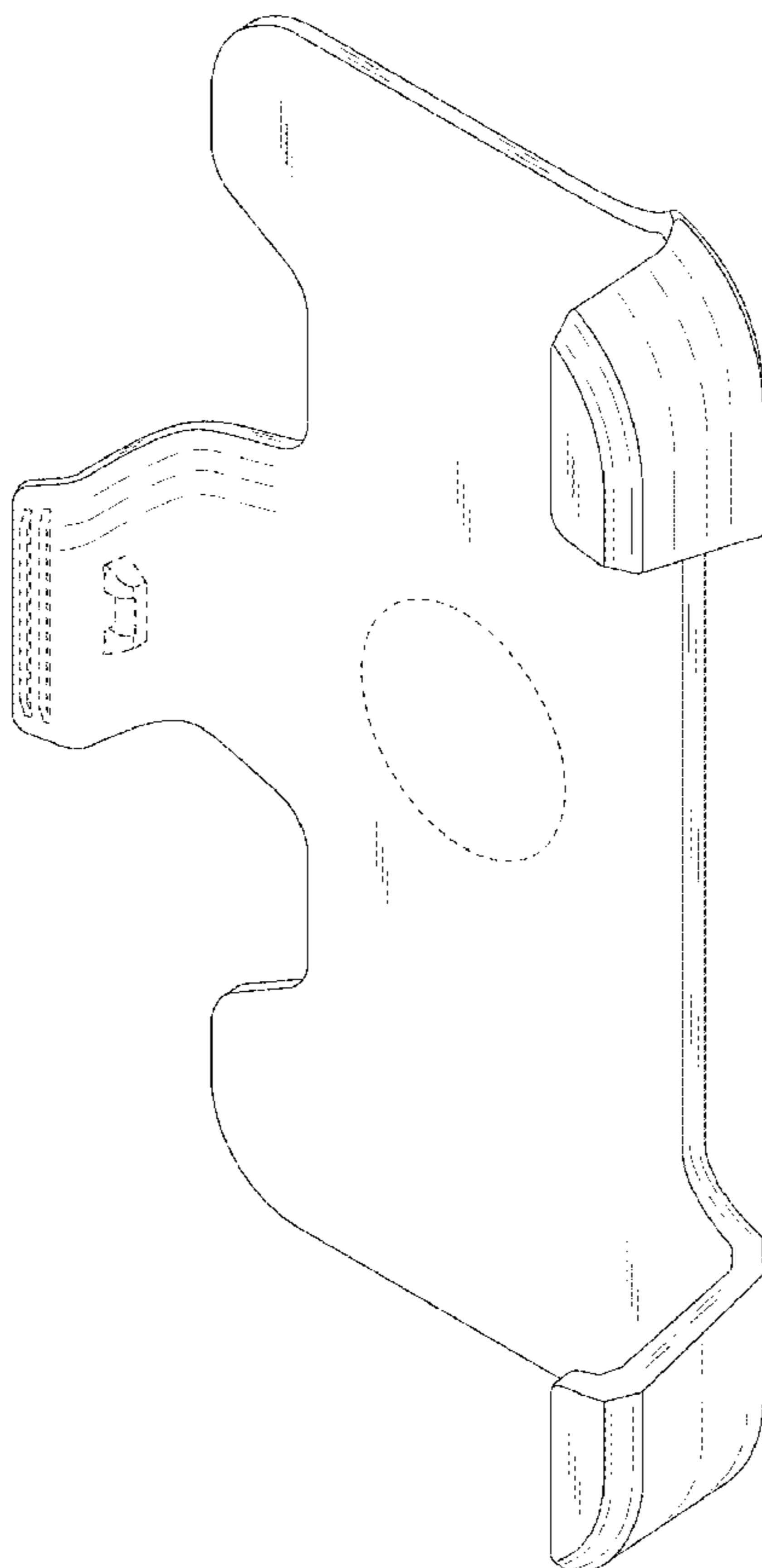
(57) **CLAIM**

The ornamental design for a holster, as shown and described.

DESCRIPTION

FIG. 1 is a front isometric view of a holster showing our new design;
FIG. 2 is a rear isometric view thereof;
FIG. 3 is a front view thereof;
FIG. 4 is a rear view thereof;
FIG. 5 is a left view thereof;
FIG. 6 is a right view thereof;
FIG. 7 is a top view thereof; and,
FIG. 8 is a bottom view thereof.
The broken lines immediately adjacent the shaded surfaces represent boundaries of the claimed design. All other broken lines depict unclaimed environment. The broken lines and unshaded regions bounded by the broken lines form no part of the claimed design.

1 Claim, 6 Drawing Sheets



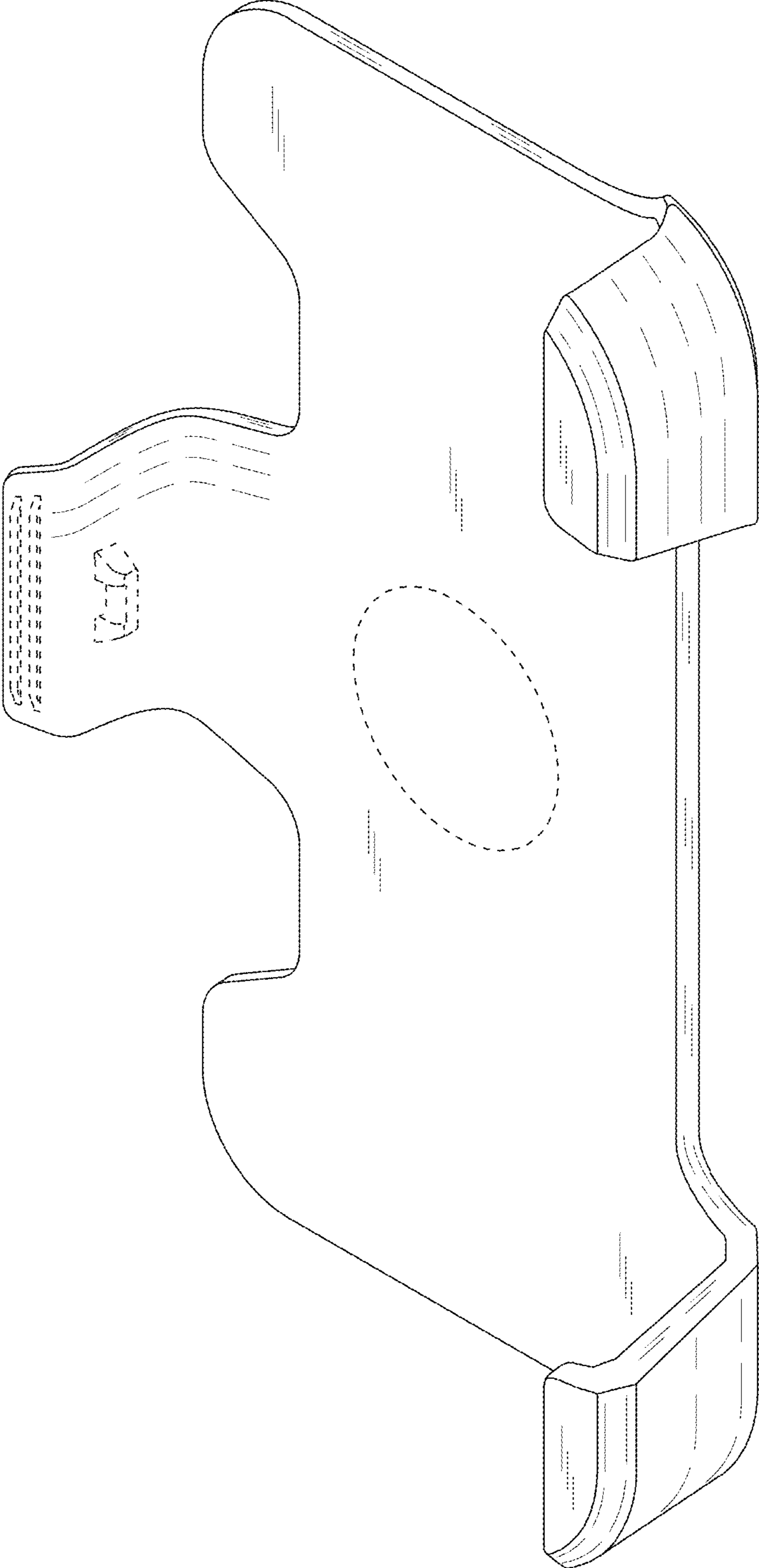


FIG. 1

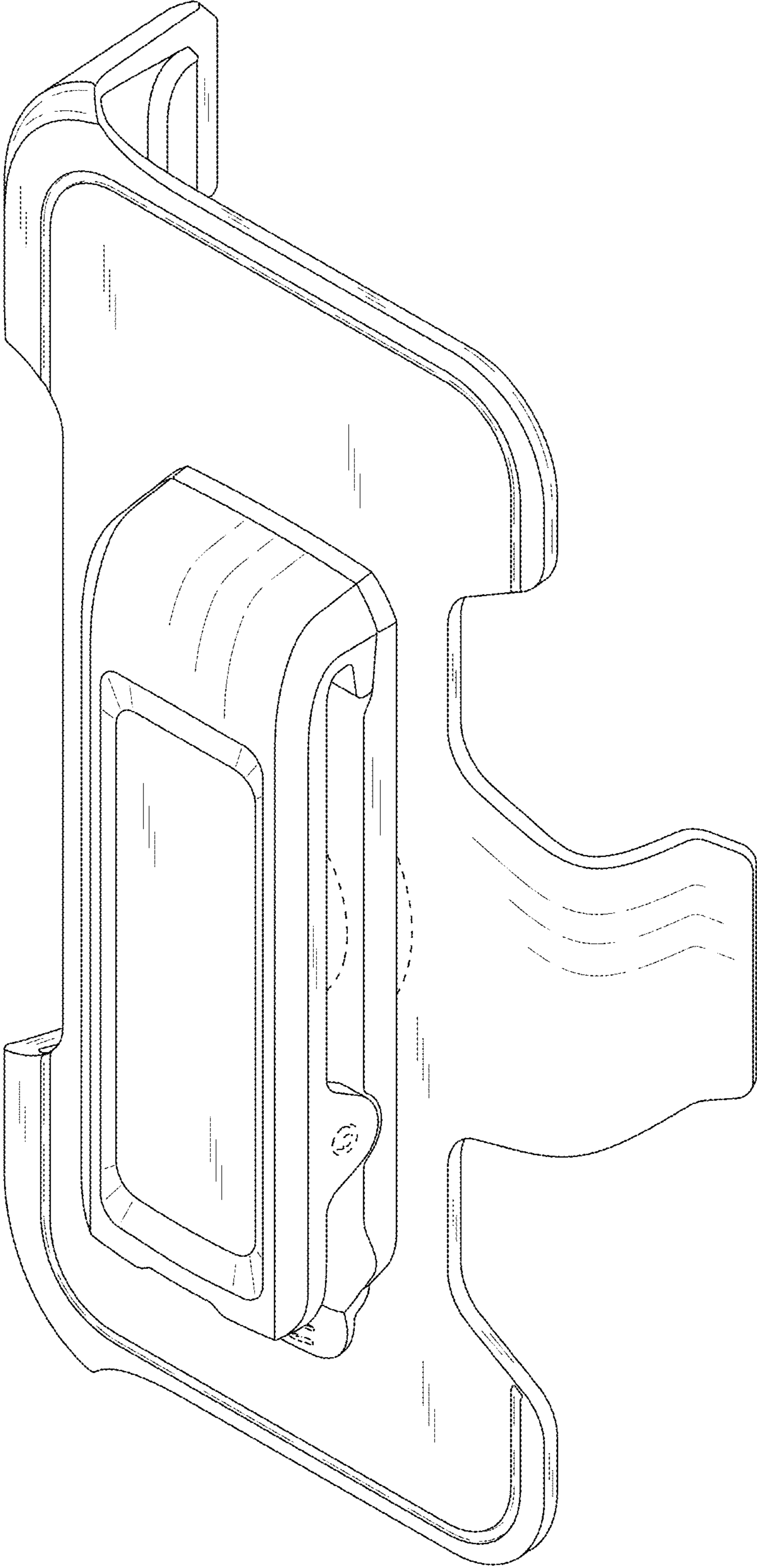


FIG. 2

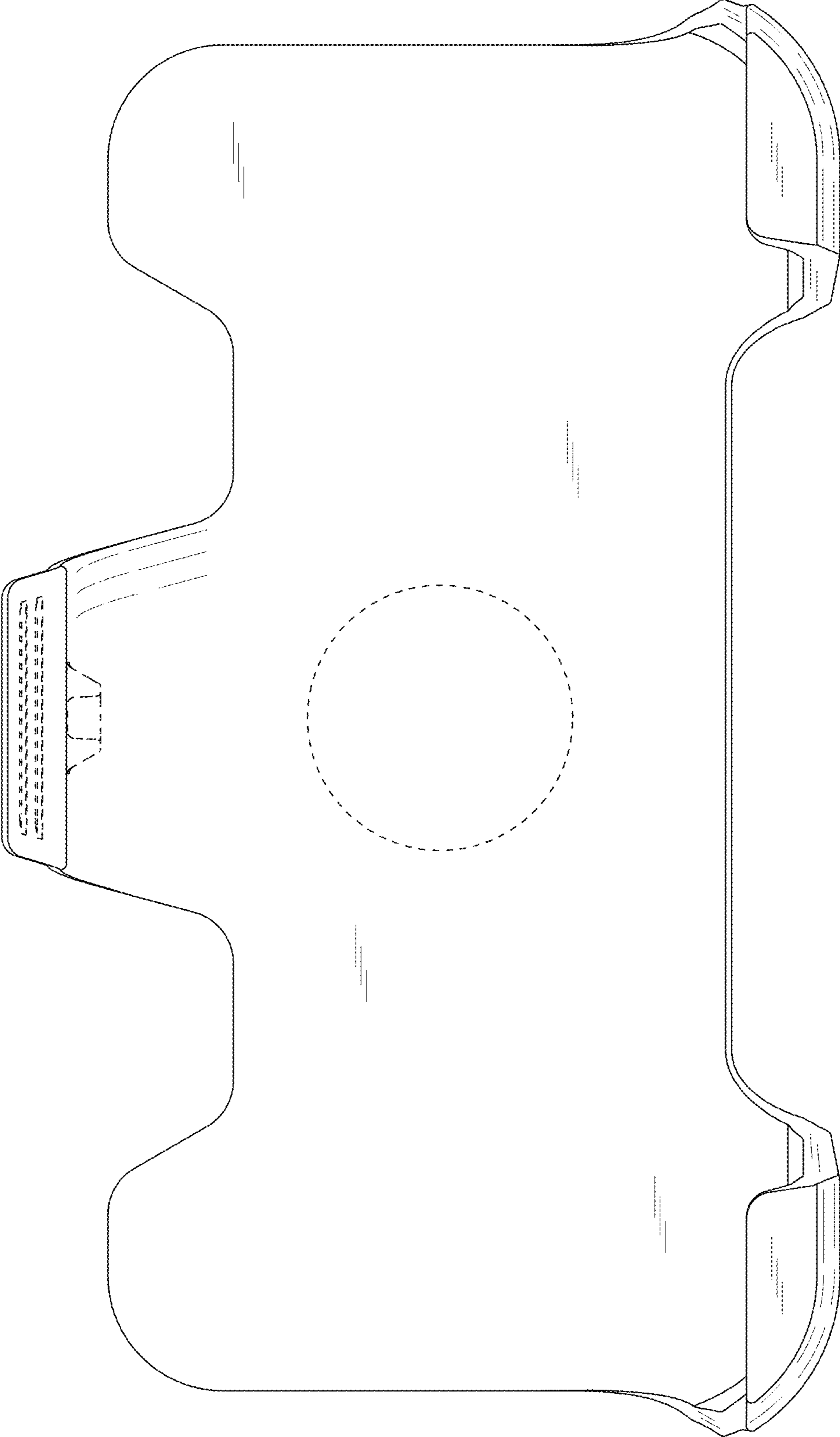


FIG. 3

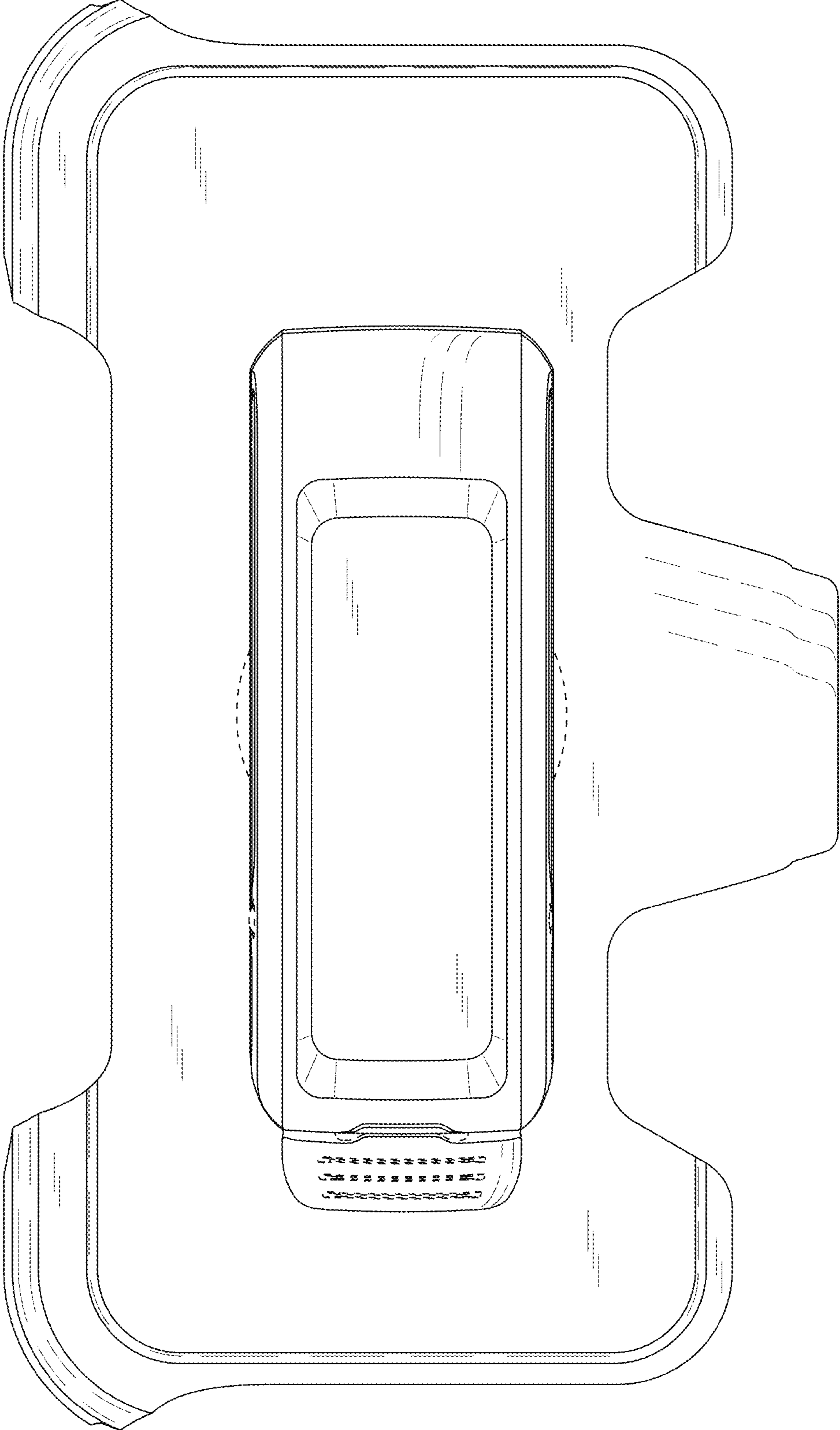


FIG. 4

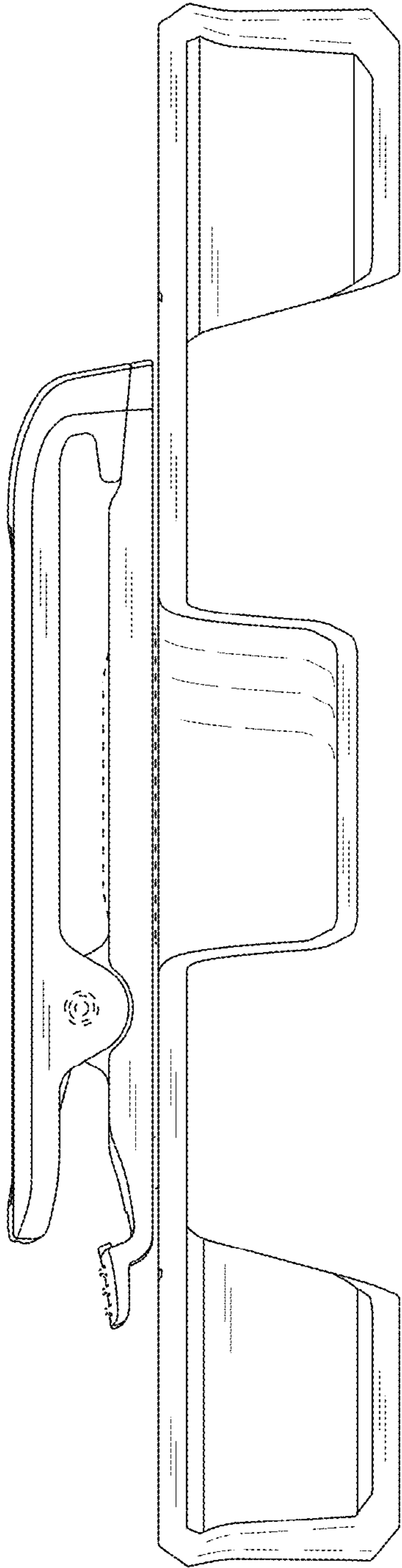


FIG. 5

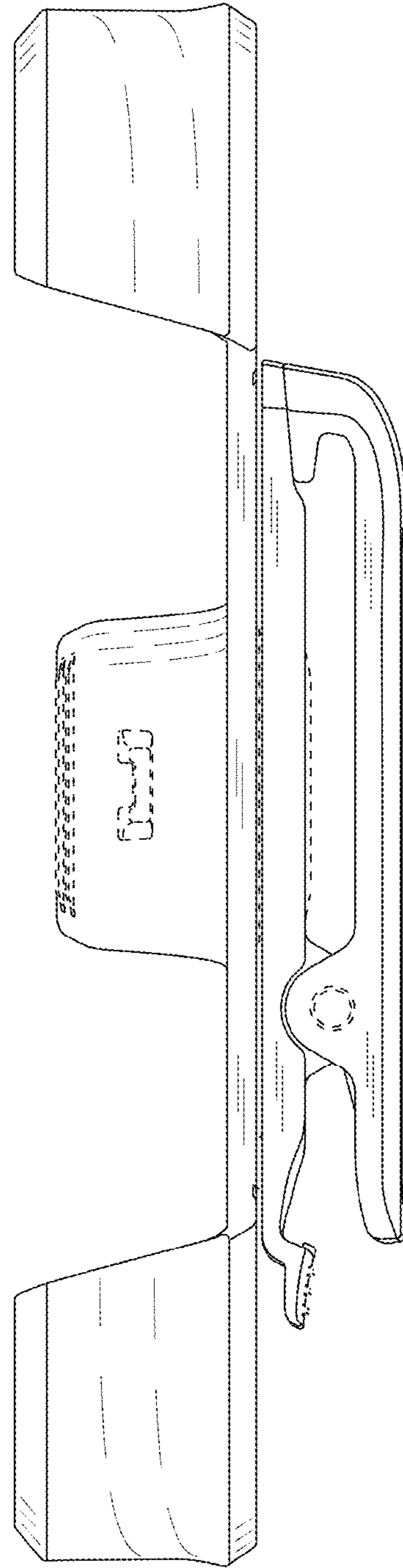


FIG. 6

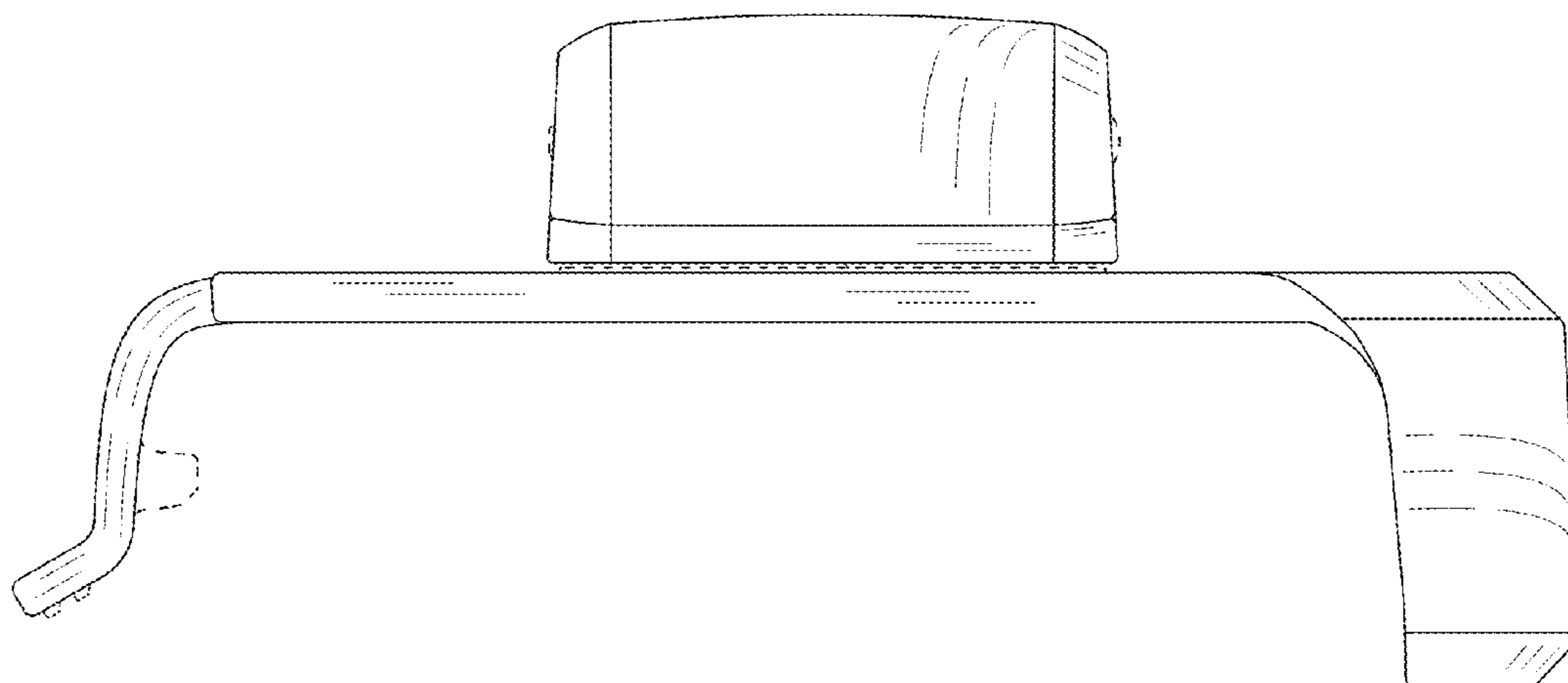


FIG. 7

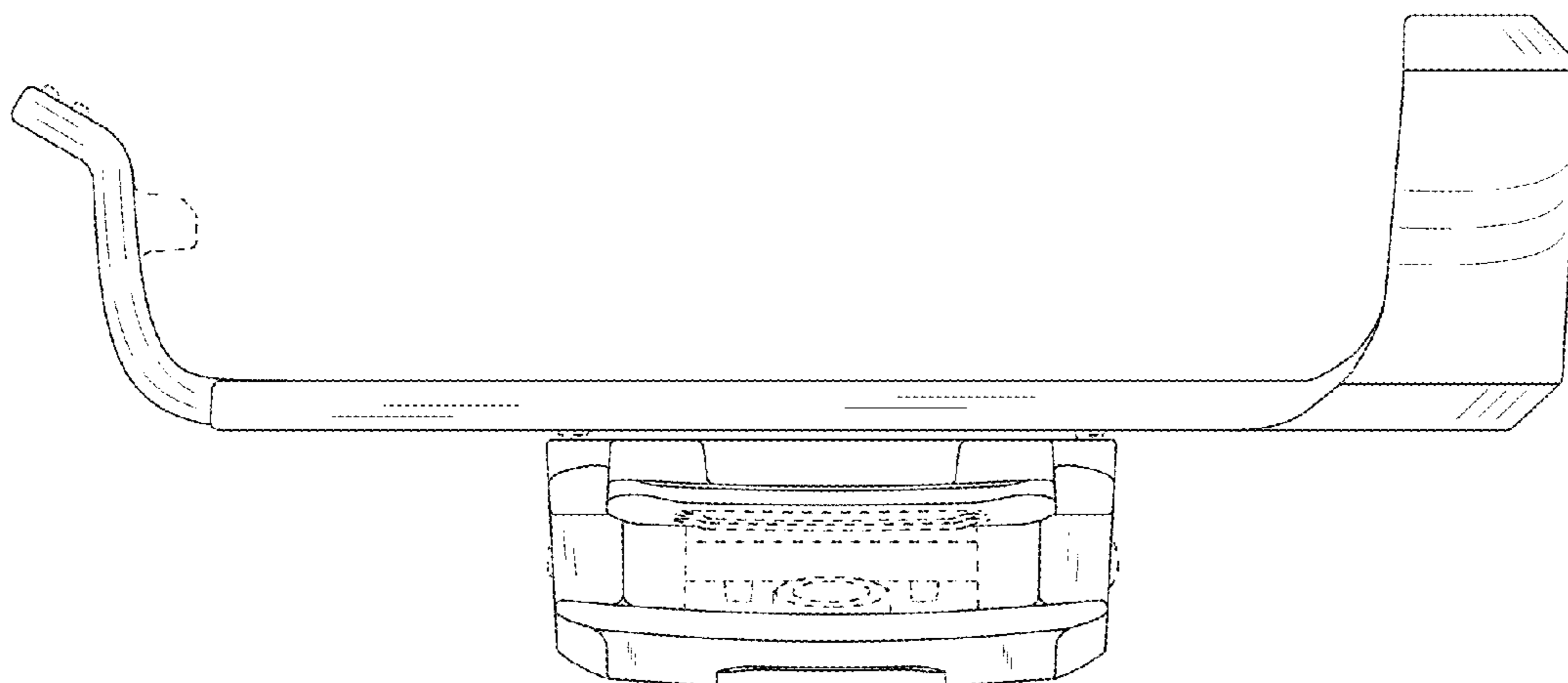


FIG. 8