



US00D683954S

(12) **United States Design Patent**
Izen et al.

(10) **Patent No.:** **US D683,954 S**
(45) **Date of Patent:** **** Jun. 11, 2013**

(54) **MOBILE DEVICE HOLDER**

(75) Inventors: **Mark S. Izen**, Chestnut Hill, MA (US);
Ilissa Brooke Schild, Boston, MA (US);
Stephen Paul Webster, Oakville (CA)

(73) Assignee: **First Act, Inc.**, Boston, MA (US)

(**) Term: **14 Years**

(21) Appl. No.: **29/425,797**

(22) Filed: **Jun. 27, 2012**

(51) **LOC (9) Cl.** **03-01**

(52) **U.S. Cl.**
USPC **D3/218**

(58) **Field of Classification Search**
USPC D3/218, 201, 215, 219, 269, 272,
D3/303; 224/587, 667, 683, 929-930, 24,
224/245; D14/250-253, 345, 432, 439-440;
379/437, 440, 446-447, 449-455;
455/575.1-575.8

See application file for complete search history.

(56) **References Cited**

U.S. PATENT DOCUMENTS

D551,855 S *	10/2007	Yeh et al.	D3/218
D567,500 S *	4/2008	Kwak et al.	D3/218
D576,405 S *	9/2008	Picot et al.	D3/218
D619,356 S *	7/2010	Hillman	D3/218
D663,949 S *	7/2012	Ito et al.	D3/218

* cited by examiner

Primary Examiner — Catheri Oliver-Garcia
(74) *Attorney, Agent, or Firm* — Lando & Anastasi, LLP

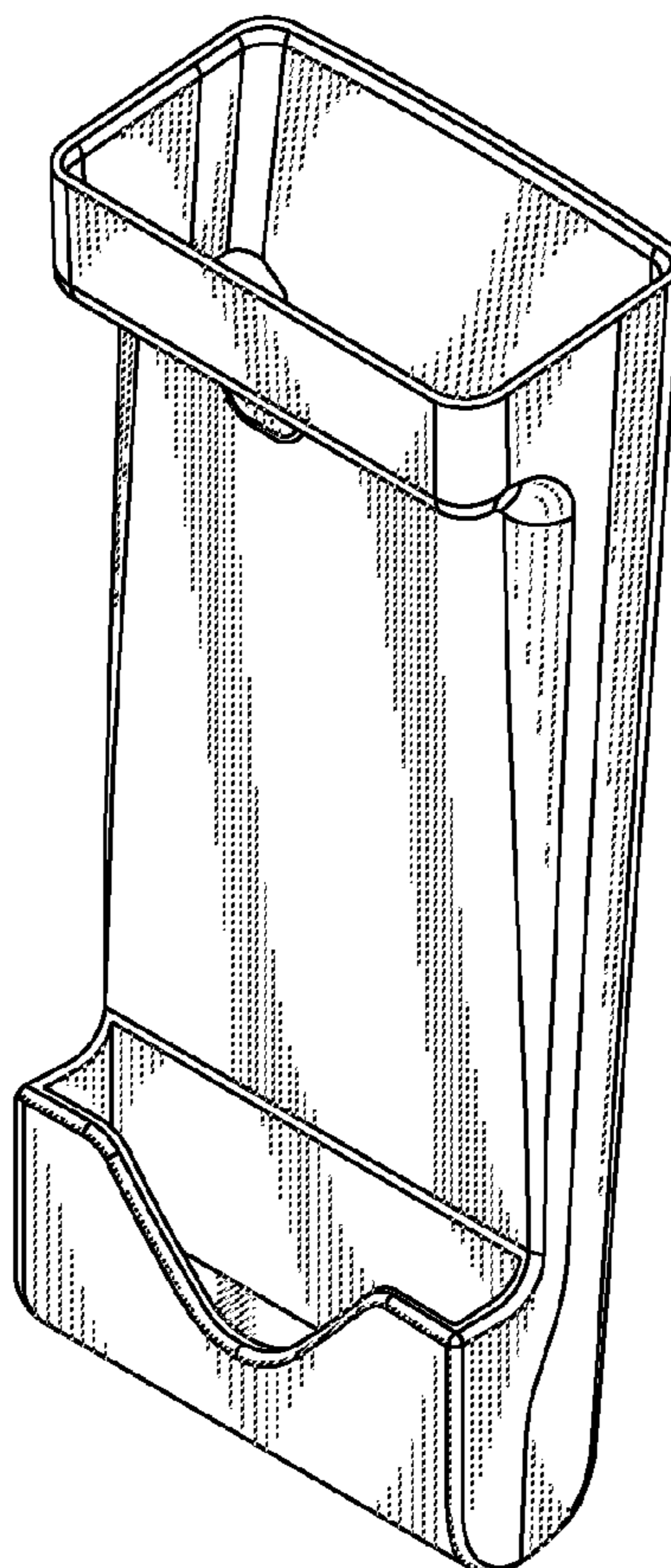
(57) **CLAIM**

The ornamental design for a mobile device holder, as shown and described.

DESCRIPTION

FIG. 1 is a perspective view of the mobile device holder according to our new design.
FIG. 2 is a top plan view.
FIG. 3 is a bottom plan view.
FIG. 4 is a right side elevation view;
FIG. 5 is a left side elevation view;
FIG. 6 is a rear elevation view; and,
FIG. 7 is a front elevation view.
The broken lines shown in the drawing are for illustrative purposes only and form no part of the claimed design.

1 Claim, 7 Drawing Sheets



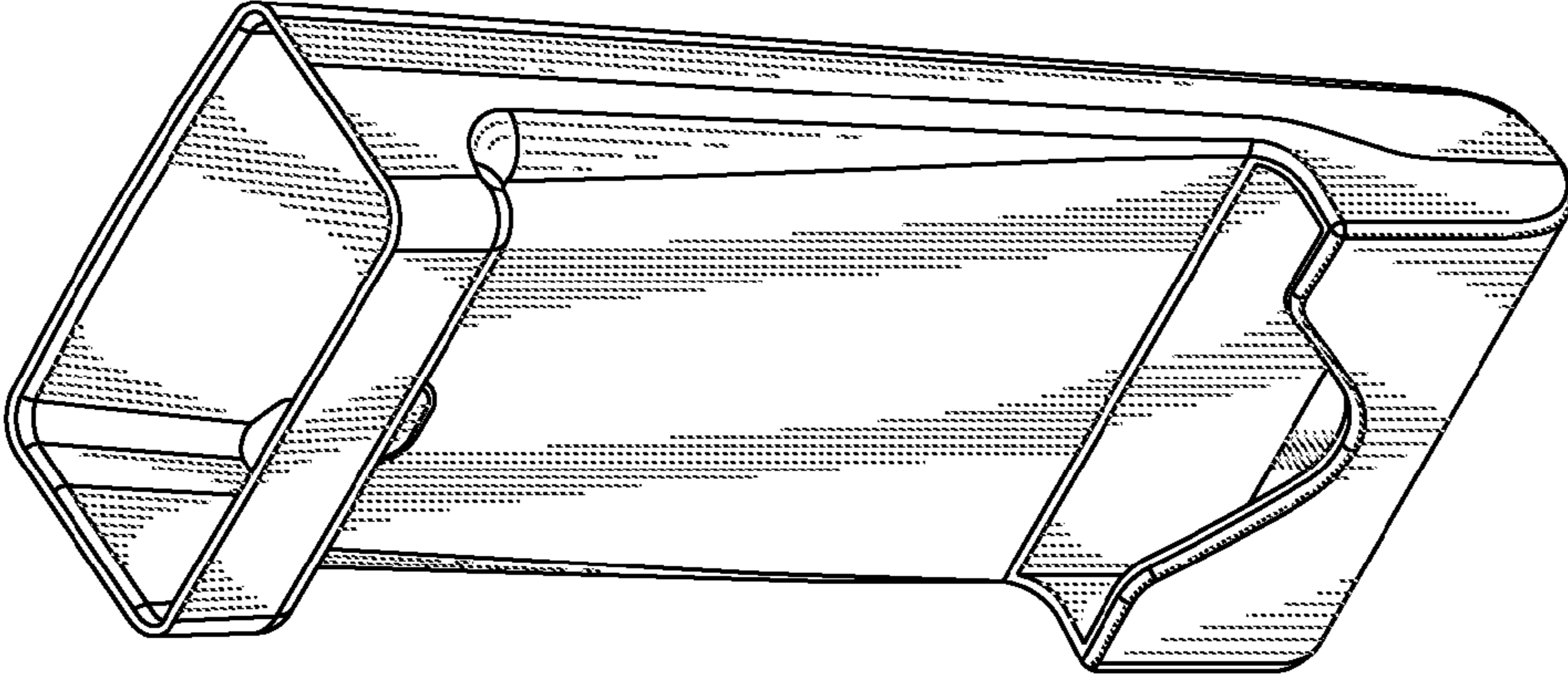


FIG. 1

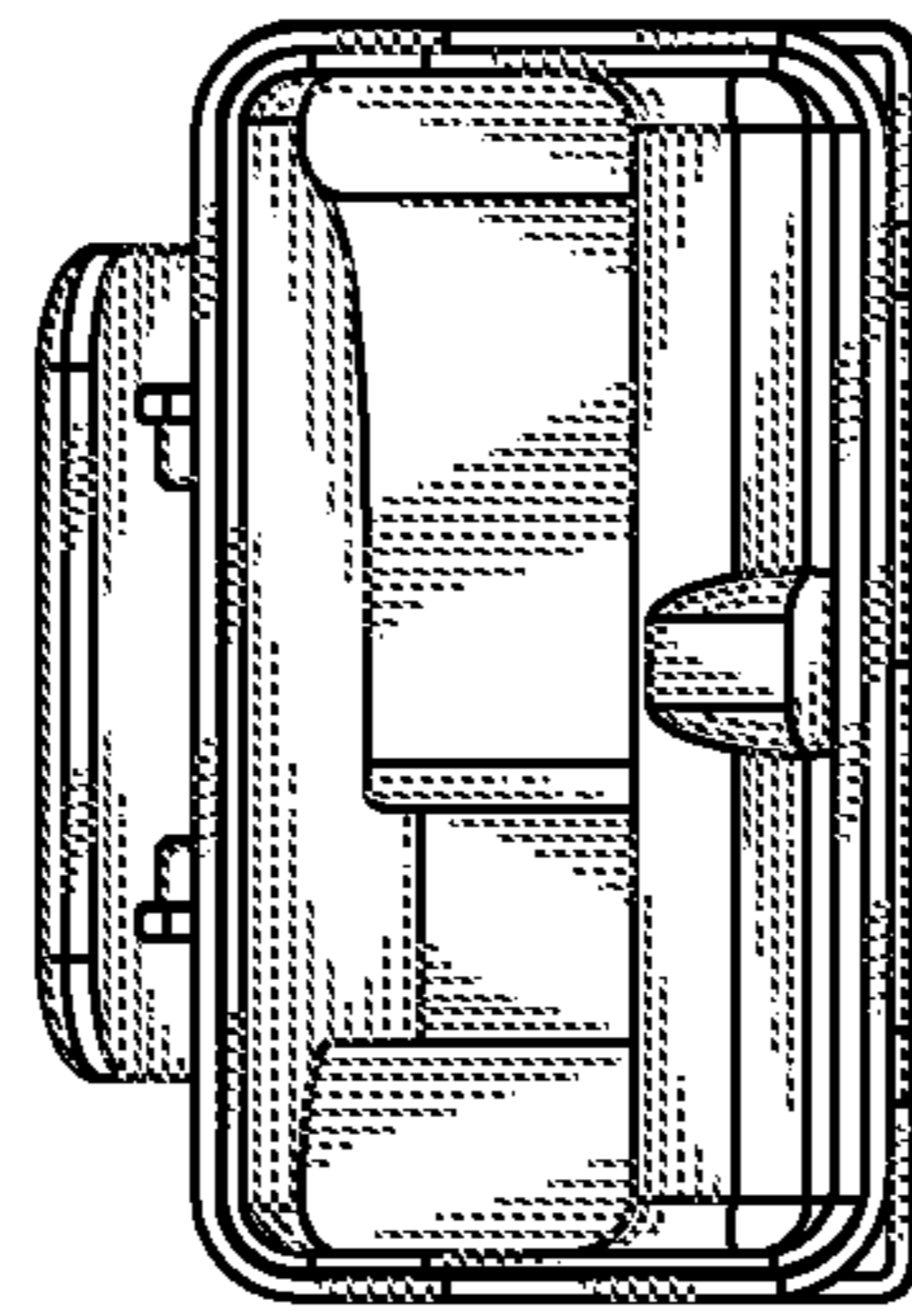


FIG. 2

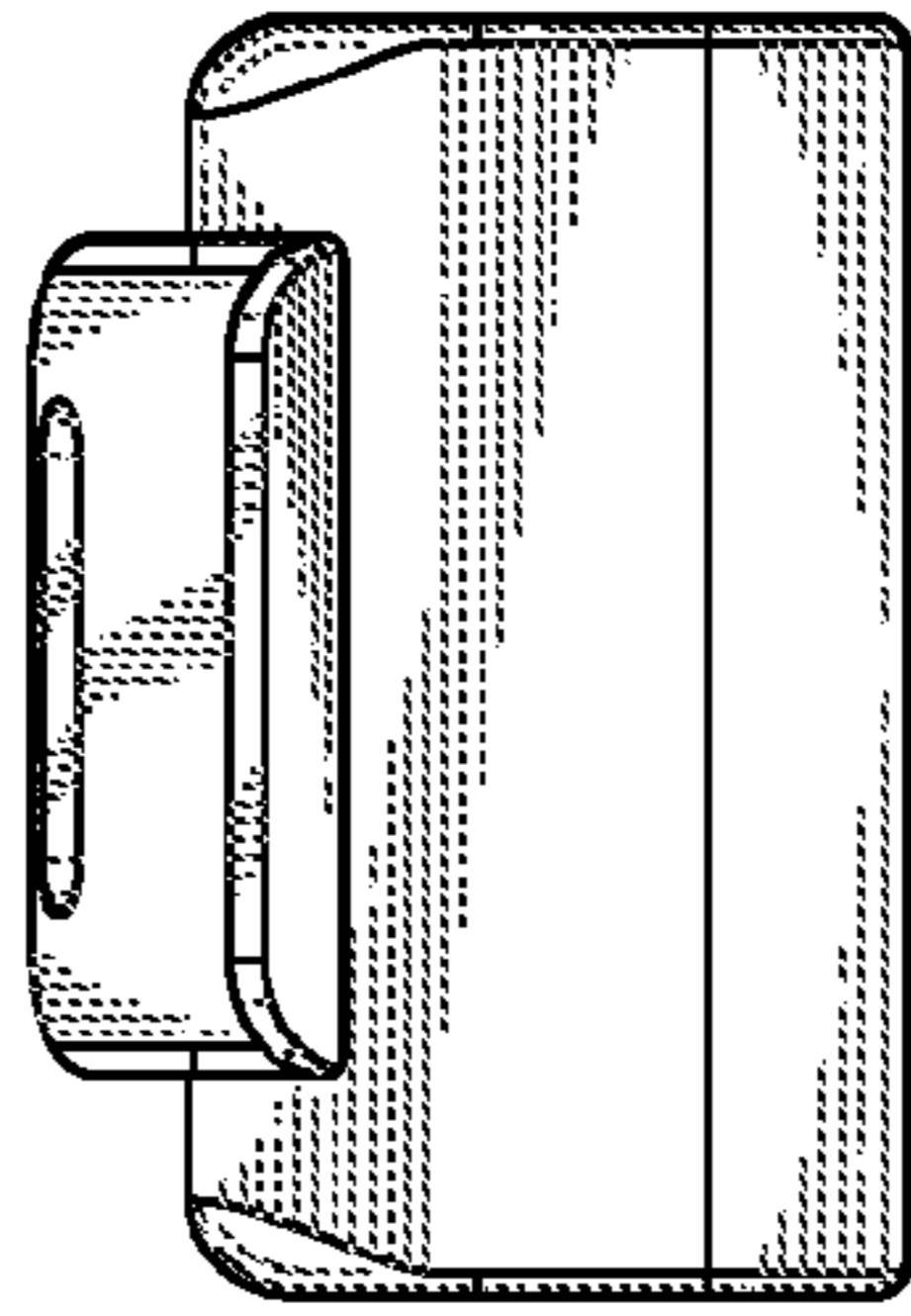


FIG. 3

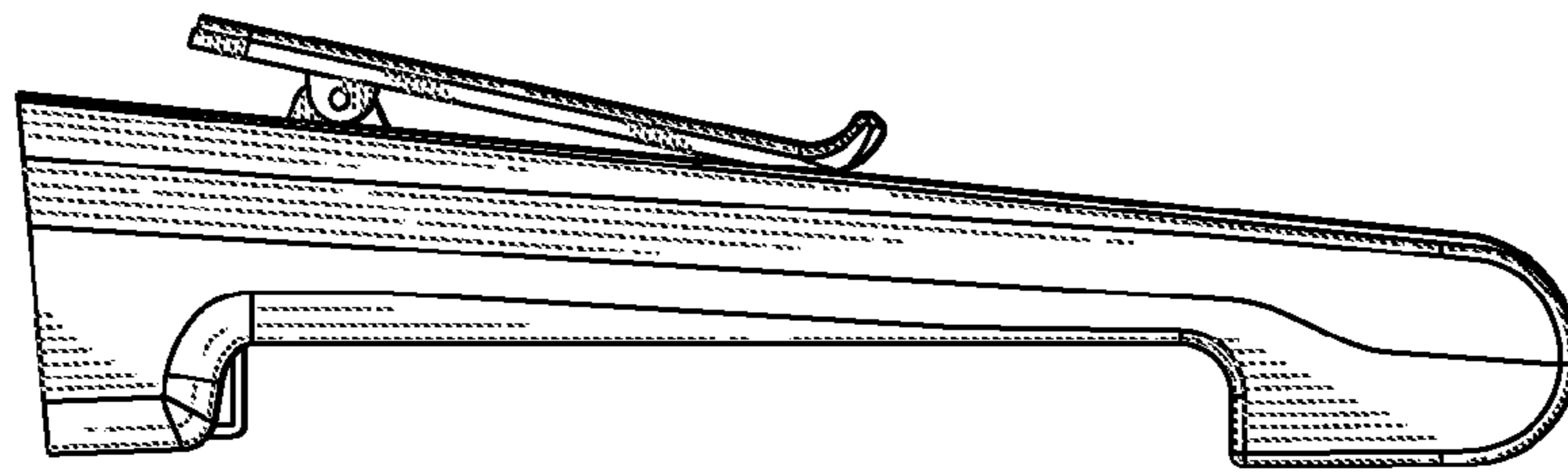


FIG. 4

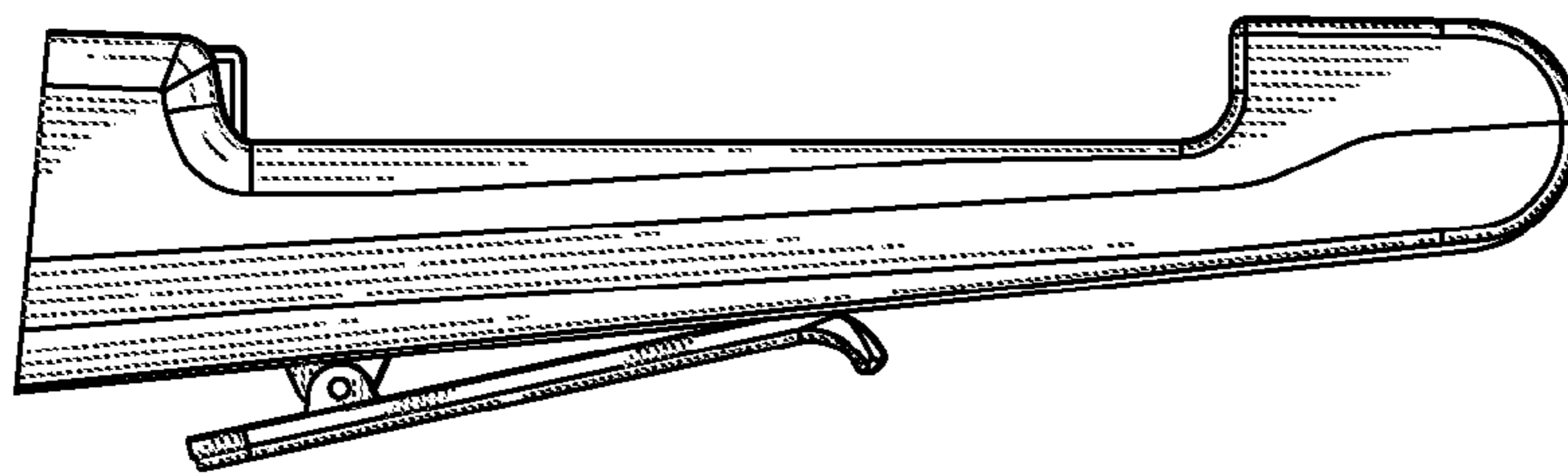


FIG. 5

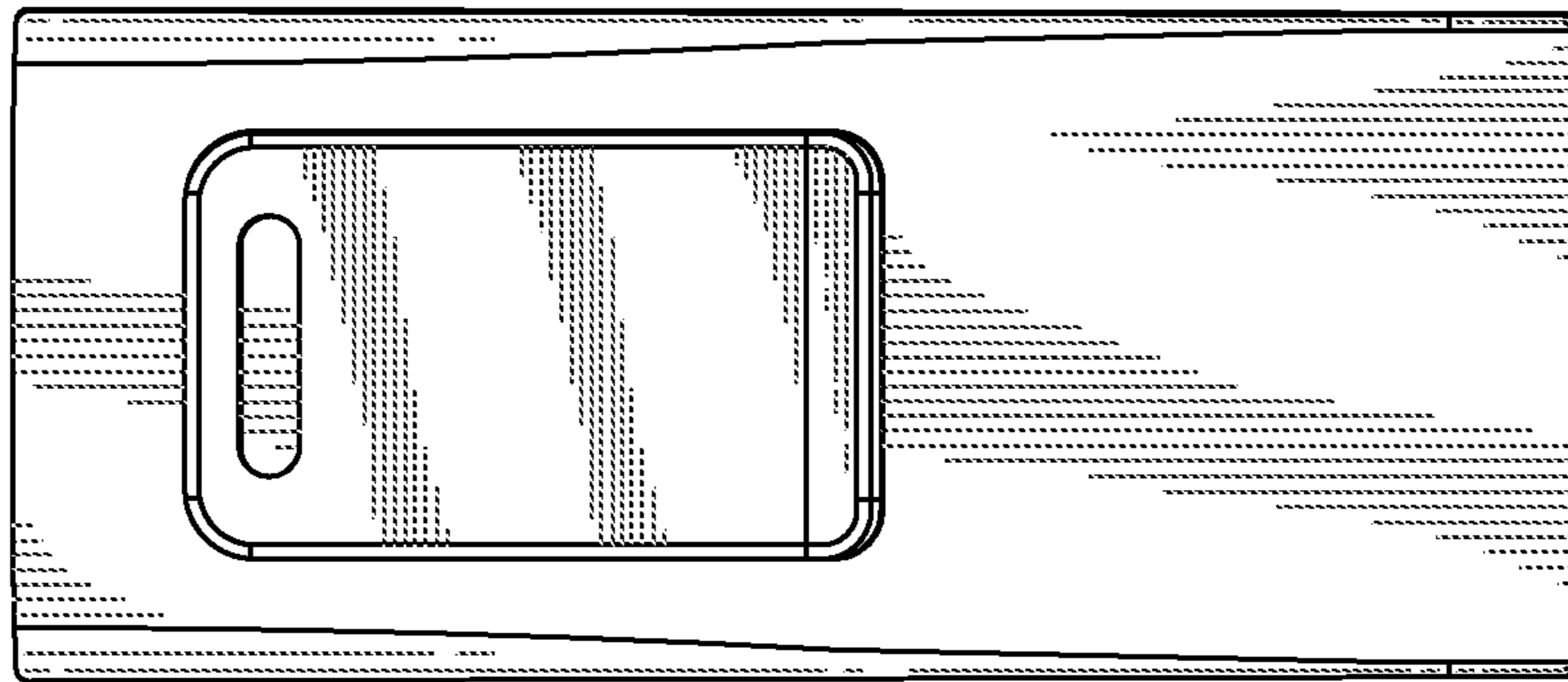


FIG. 6

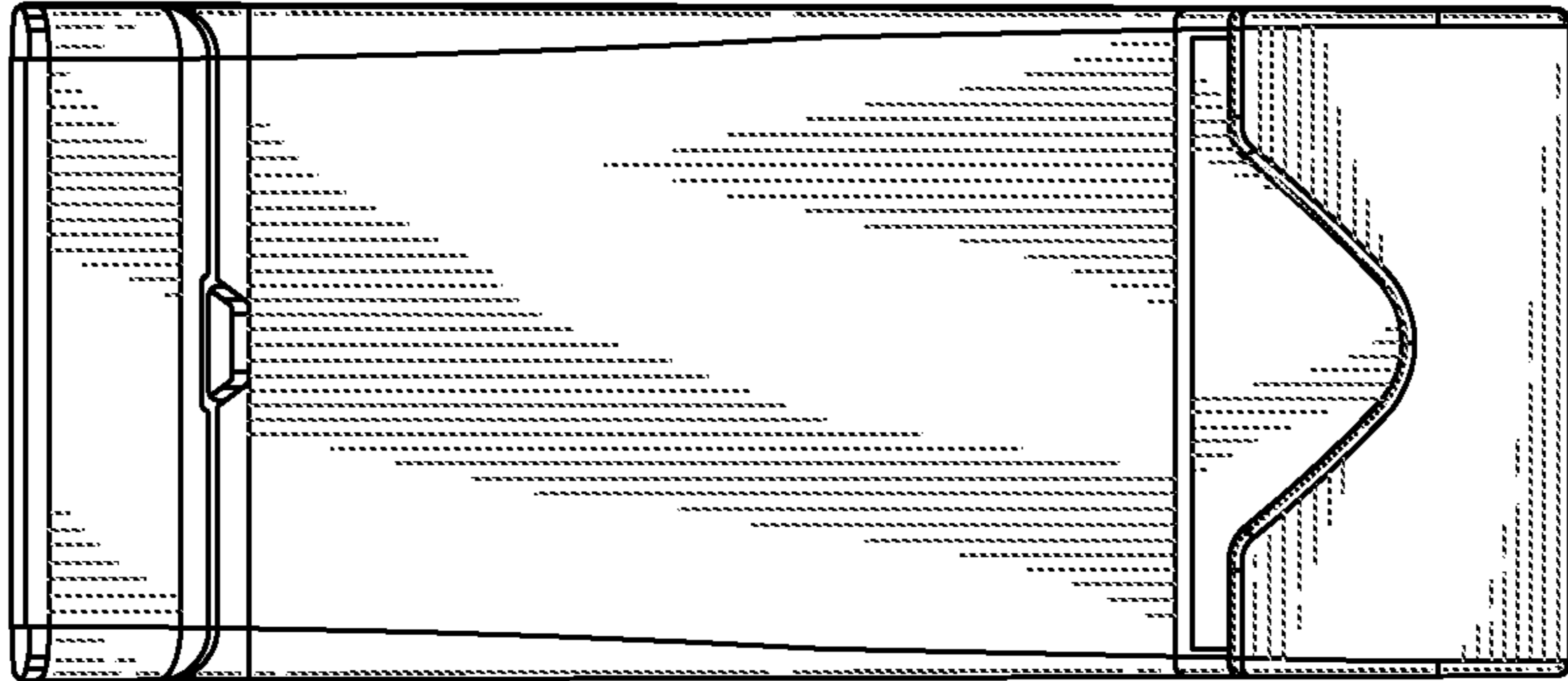


FIG. 7