



US00D683953S

(12) **United States Design Patent**
Phillips et al.

(10) **Patent No.:** **US D683,953 S**
(45) **Date of Patent:** **** Jun. 11, 2013**

(54) **HORIZONTAL ELECTRONIC DEVICE
HOLSTER**

(75) Inventors: **Alison Phillips**, Toronto (CA); **Caitlin
Curran-Blaney**, Toronto (CA)

(73) Assignee: **Research In Motion Limited**, Waterloo,
Ontario (CA)

(**) Term: **14 Years**

(21) Appl. No.: **29/410,545**

(22) Filed: **Jan. 9, 2012**

(51) **LOC (9) Cl.** **03-01**

(52) **U.S. Cl.**
USPC **D3/218**

(58) **Field of Classification Search**
USPC D3/218, 201, 215, 219, 222, 226,
D3/247-249, 265, 269, 272-273, 220; 206/305,
206/320; 455/42, 90, 92; 379/455; 224/250,
224/666, 674-677, 680, 683, 240, 901, 232,
224/236; D14/250-251, 138, 156, 496

See application file for complete search history.

(56) **References Cited**

U.S. PATENT DOCUMENTS

D172,458 S *	6/1954	Baratelli	D3/265
D251,084 S *	2/1979	Marks	D3/265
D332,872 S *	2/1993	Seber	D3/220
D515,807 S *	2/2006	Faillace	D3/218
D606,301 S *	12/2009	Hofer et al.	D3/218

* cited by examiner

Primary Examiner — Catheri Oliver-Garcia

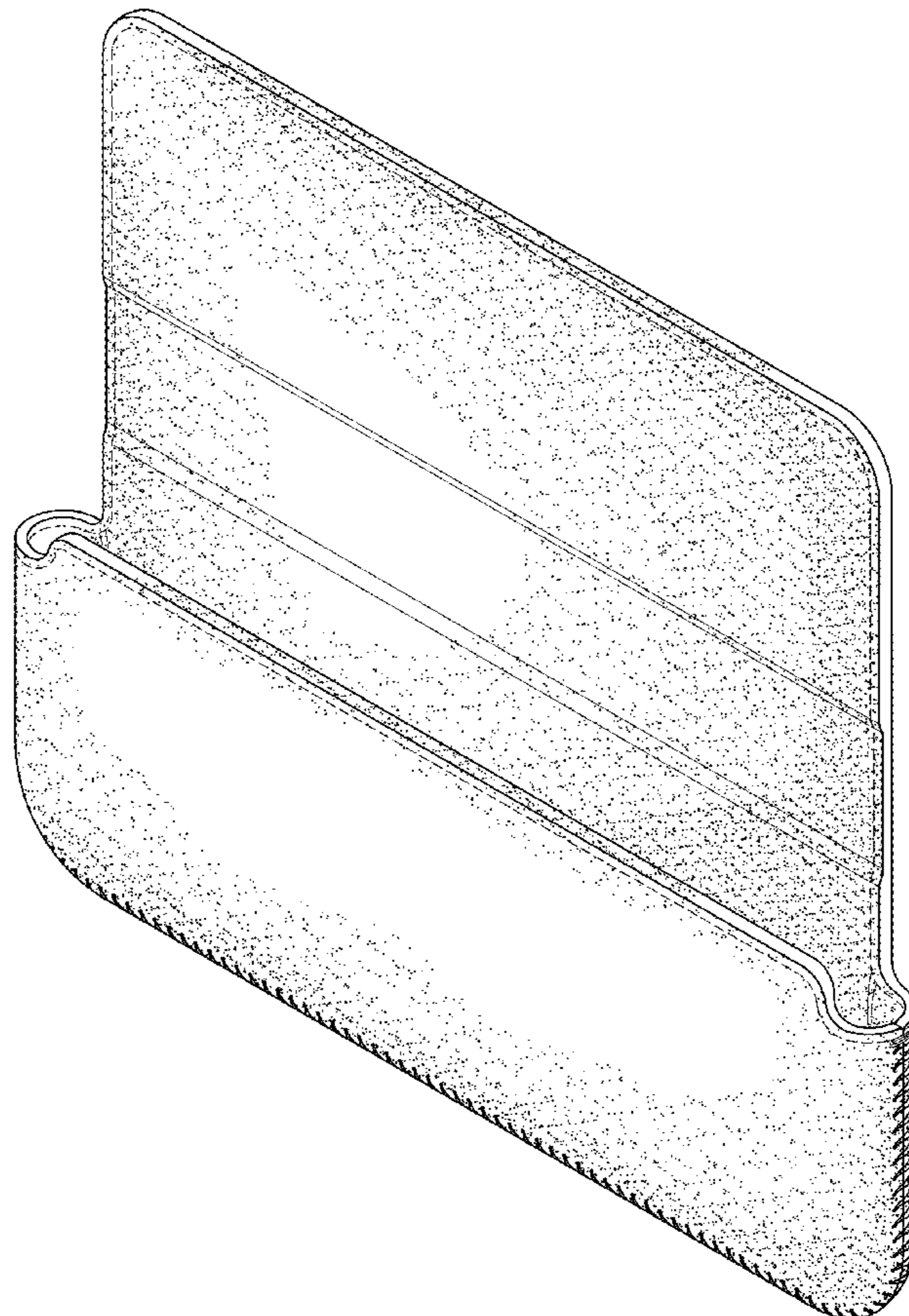
(57) **CLAIM**

We claim the ornamental design for a horizontal electronic device holster, as shown and described.

DESCRIPTION

FIG. 1 is a front perspective view of a horizontal electronic device holster;
FIG. 2 is a front elevational view of the horizontal electronic device holster;
FIG. 3 is a rear elevational view thereof;
FIG. 4 is a right elevational view thereof;
FIG. 5 is a left elevational view thereof;
FIG. 6 is a top plan view thereof; and,
FIG. 7 is a bottom plan view thereof.

1 Claim, 5 Drawing Sheets



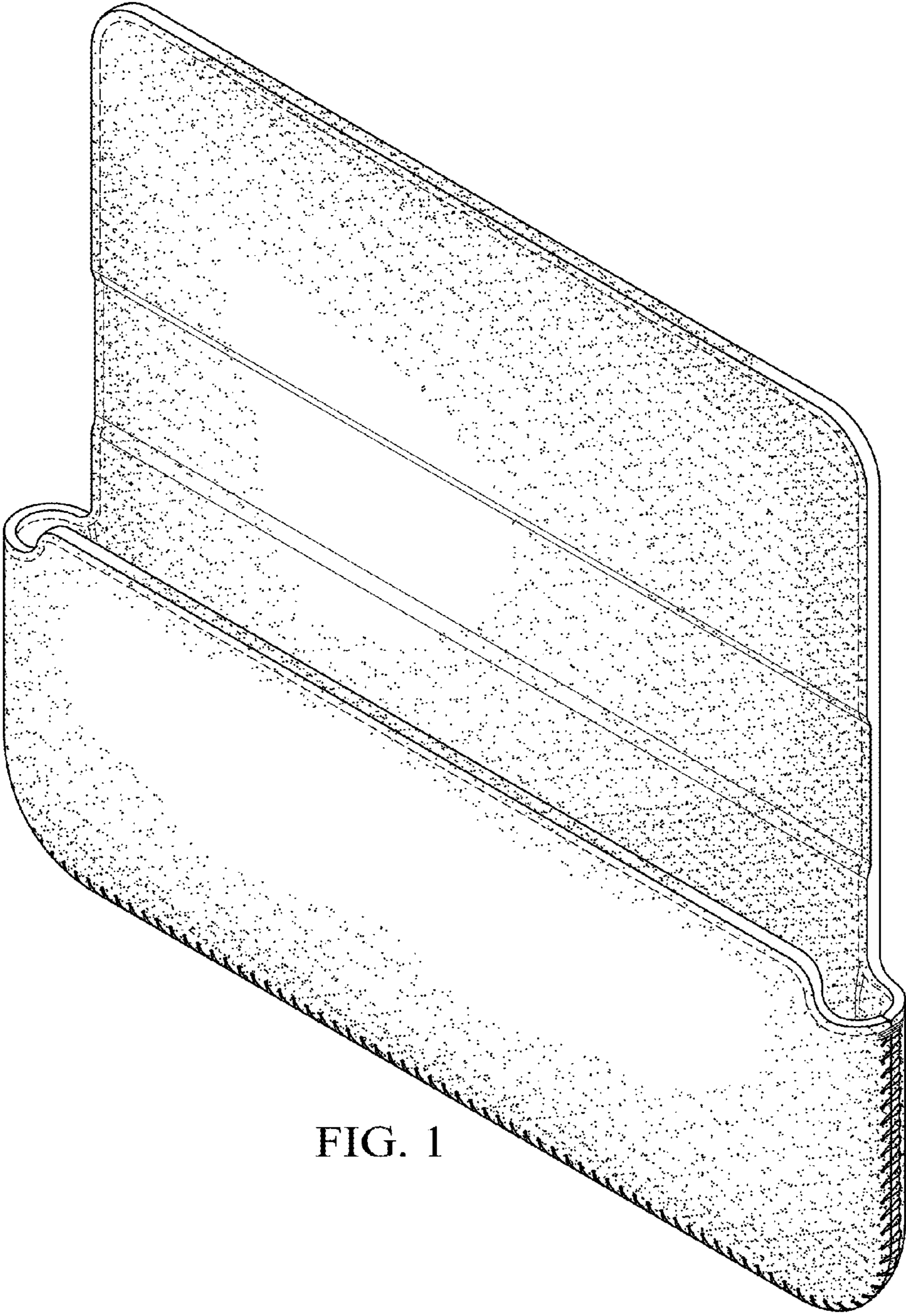


FIG. 1

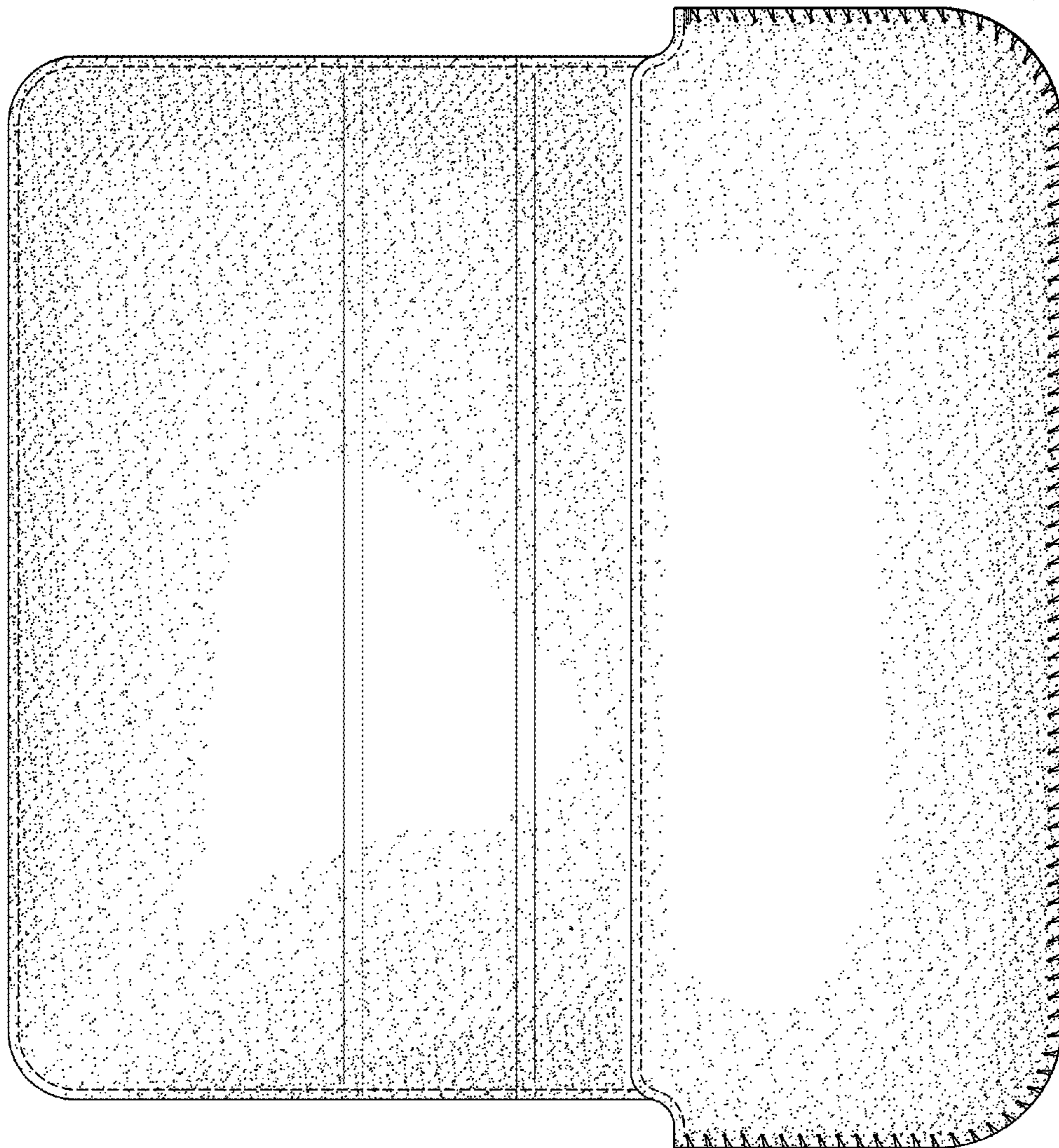


FIG. 2

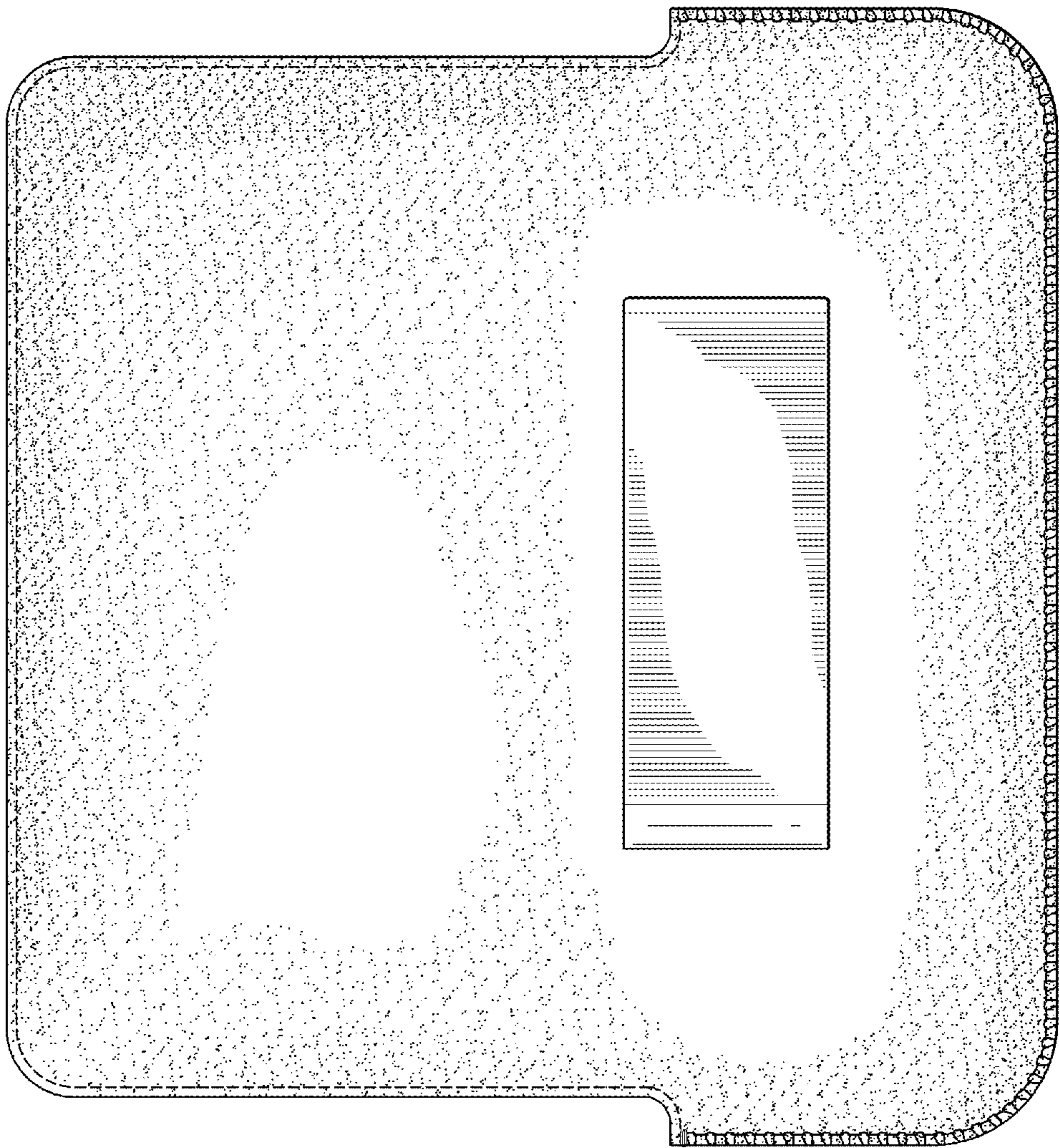


FIG. 3

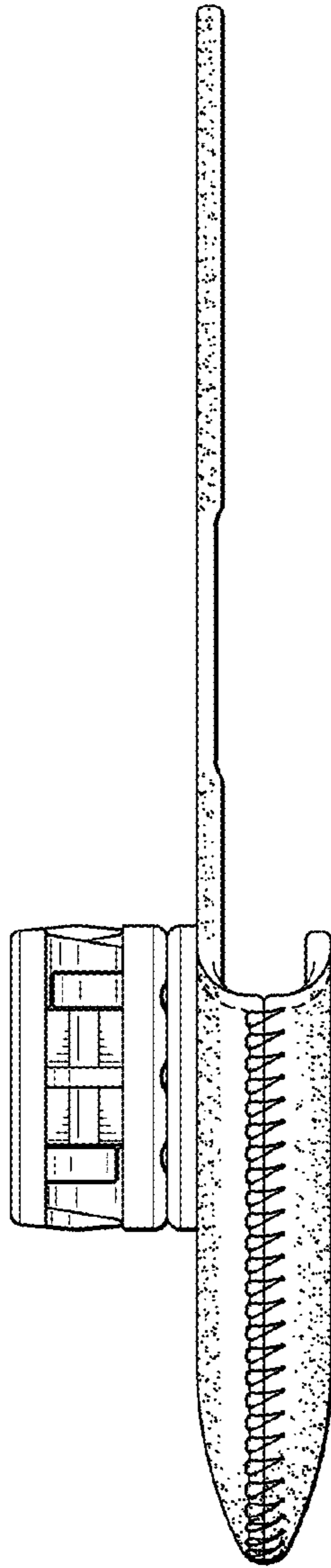


FIG. 4

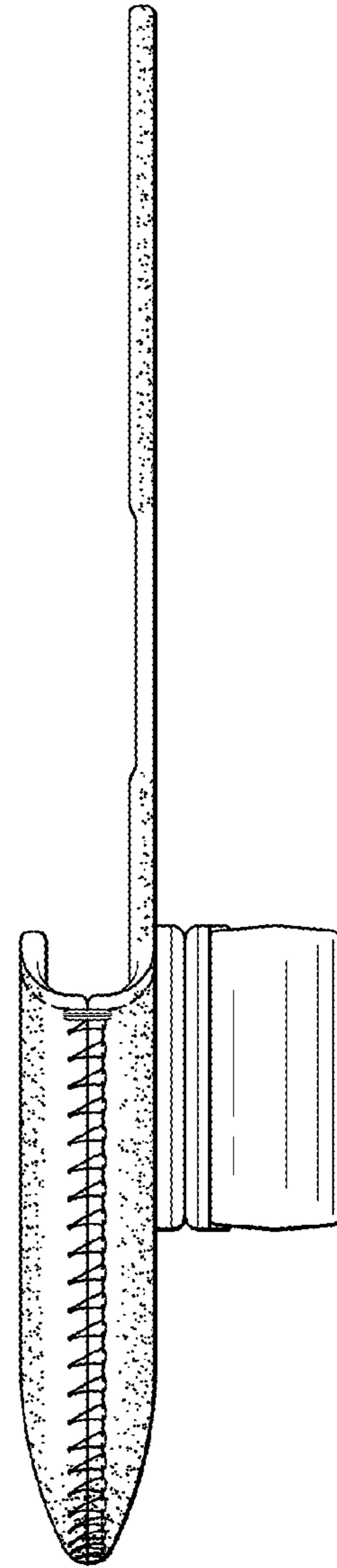


FIG. 5

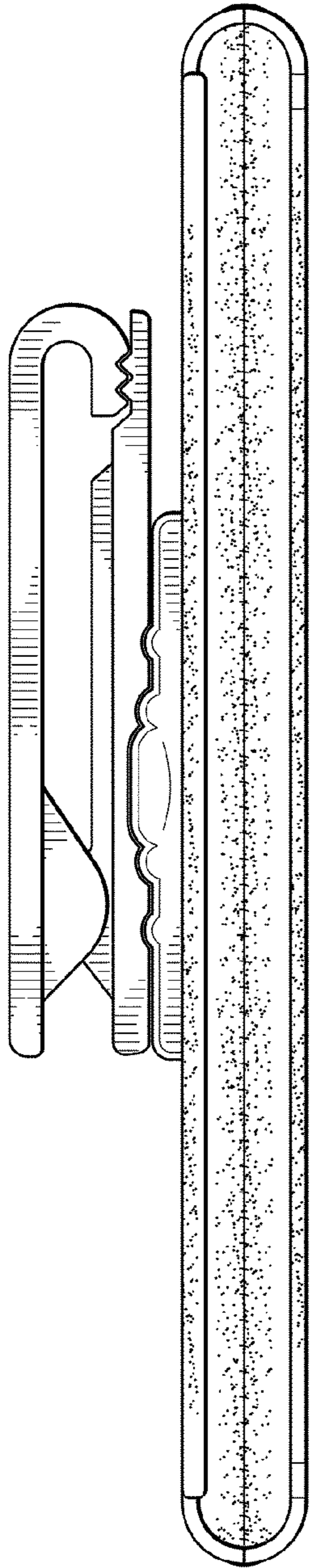


FIG. 6

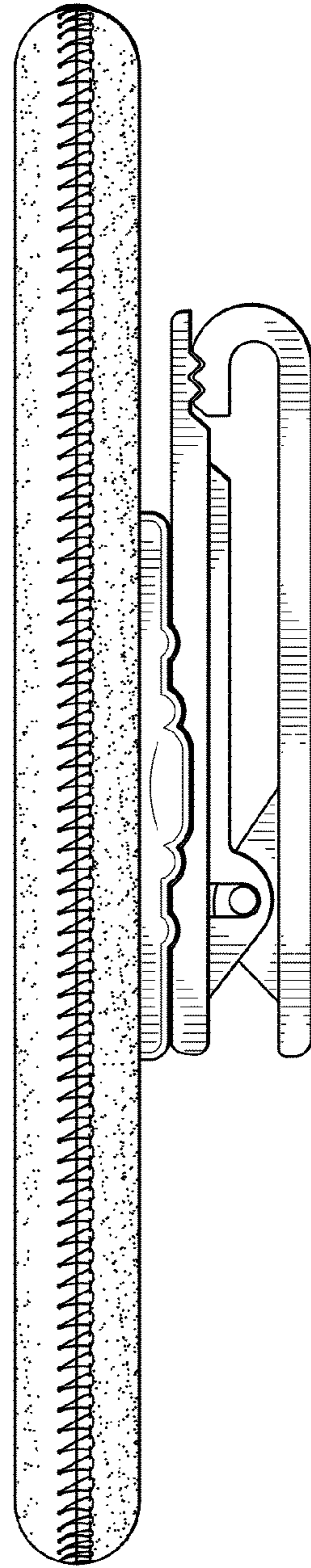


FIG. 7