



US00D683952S

(12) **United States Design Patent**
Bettauer

(10) **Patent No.:** **US D683,952 S**
(45) **Date of Patent:** **** Jun. 11, 2013**

- (54) **BACKPACK**
- (71) Applicant: **Nicole Bettauer**, Venice, CA (US)
- (72) Inventor: **Nicole Bettauer**, Venice, CA (US)
- (**) Term: **14 Years**
- (21) Appl. No.: **29/436,127**
- (22) Filed: **Nov. 1, 2012**

D611,680 S 3/2010 Thomas
 D641,973 S 7/2011 Quehl
 D642,791 S * 8/2011 Quehl D3/217
 D647,694 S 11/2011 Mitchell

(Continued)

Primary Examiner — Kelley Donnelly
 (74) *Attorney, Agent, or Firm* — Edwards Wildman Palmer LLP

Related U.S. Application Data

- (63) Continuation of application No. 29/419,869, filed on May 2, 2012, now Pat. No. Des. 672,547.
- (51) **LOC (9) Cl.** **03-01**
- (52) **U.S. Cl.**
USPC **D3/216**
- (58) **Field of Classification Search**
USPC D3/214–217, 283–285; 224/627, 224/637, 640, 645, 651–659, 575, 578, 153
See application file for complete search history.

References Cited

U.S. PATENT DOCUMENTS

D323,237 S	1/1992	Zoltie
D371,676 S	7/1996	Geddes, Sr.
D390,352 S	2/1998	Lane
D392,094 S	3/1998	Lane
D457,307 S	5/2002	Pukall et al.
D485,678 S	1/2004	Haro
D500,590 S	1/2005	Sachen
D506,607 S	6/2005	Fonfeder
D506,864 S	7/2005	Fonfeder
7,165,705 B2	1/2007	Haro
D603,158 S	11/2009	Lown et al.
D604,503 S	11/2009	Patadia et al.

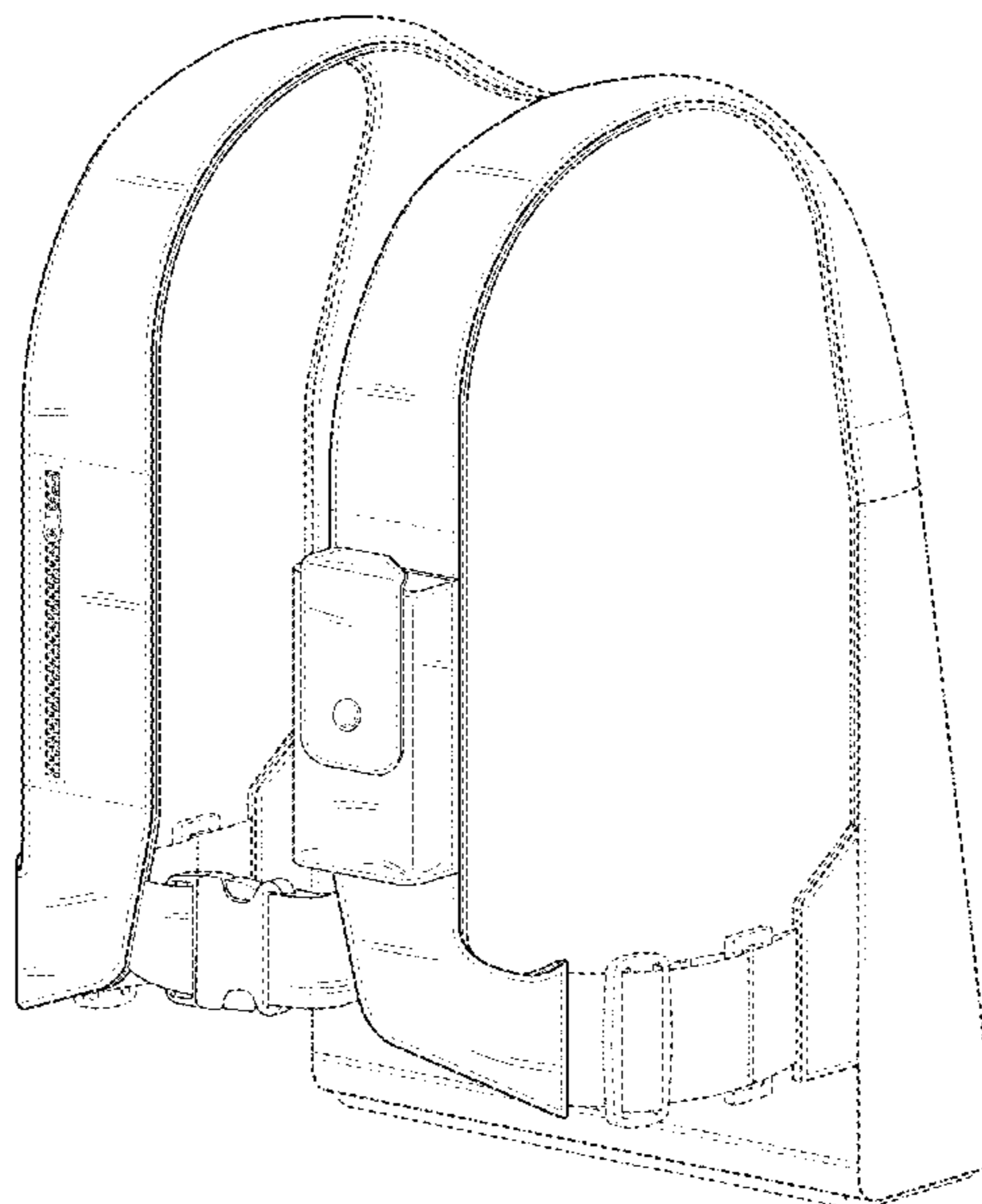
(57) **CLAIM**

I claim the ornamental design for a backpack, as shown and described.

DESCRIPTION

FIG. 1 is a perspective view of a backpack;
 FIG. 2 is a front view of the backpack shown in FIG. 1;
 FIG. 3 is a rear view of the backpack shown in FIG. 1;
 FIG. 4 is a right side view of the backpack shown in FIG. 1;
 FIG. 5 is a left side view of the backpack shown in FIG. 1;
 FIG. 6 is a top view of the backpack shown in FIG. 1;
 FIG. 7 is a bottom view of the backpack shown in FIG. 1;
 FIG. 8 is a perspective view of alternative embodiment of the backpack shown in FIG. 1;
 FIG. 9 is a front view of the backpack shown in FIG. 8;
 FIG. 10 is a rear view of the backpack shown in FIG. 8;
 FIG. 11 is a right side view of the backpack shown in FIG. 8;
 FIG. 12 is a left side view of the backpack shown in FIG. 8;
 FIG. 13 is a top view of the backpack shown in FIG. 8; and,
 FIG. 14 is a bottom view of the backpack shown in FIG. 8.
 The portions of the backpack and any exemplary environment shown in broken lines are for illustrative purposes only and form no part of the claimed design.

1 Claim, 8 Drawing Sheets



US D683,952 S

Page 2

U.S. PATENT DOCUMENTS									
8,118,201	B1	2/2012	Calkin	8,267,290	B2 *	9/2012	Schlipper	224/264
D655,495	S	3/2012	Sauer et al.	D671,312	S *	11/2012	Pendergraft	D3/231
D657,132	S	4/2012	Caperon	D672,547	S *	12/2012	Bettauer	D3/216
D661,085	S	6/2012	Custer	D673,362	S *	1/2013	Presman et al.	D3/217
D665,573	S	8/2012	Crandall						

* cited by examiner

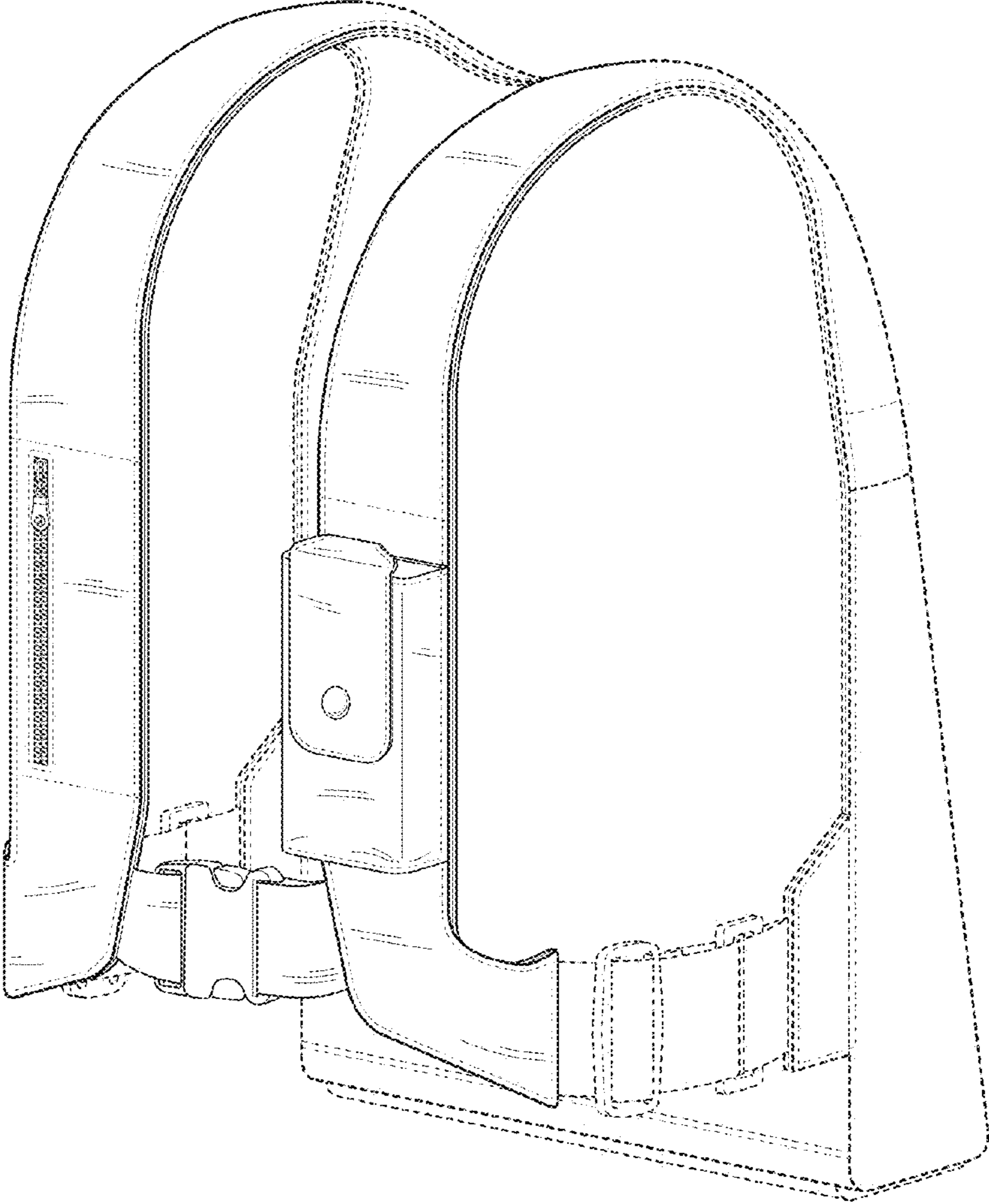


FIG. 1

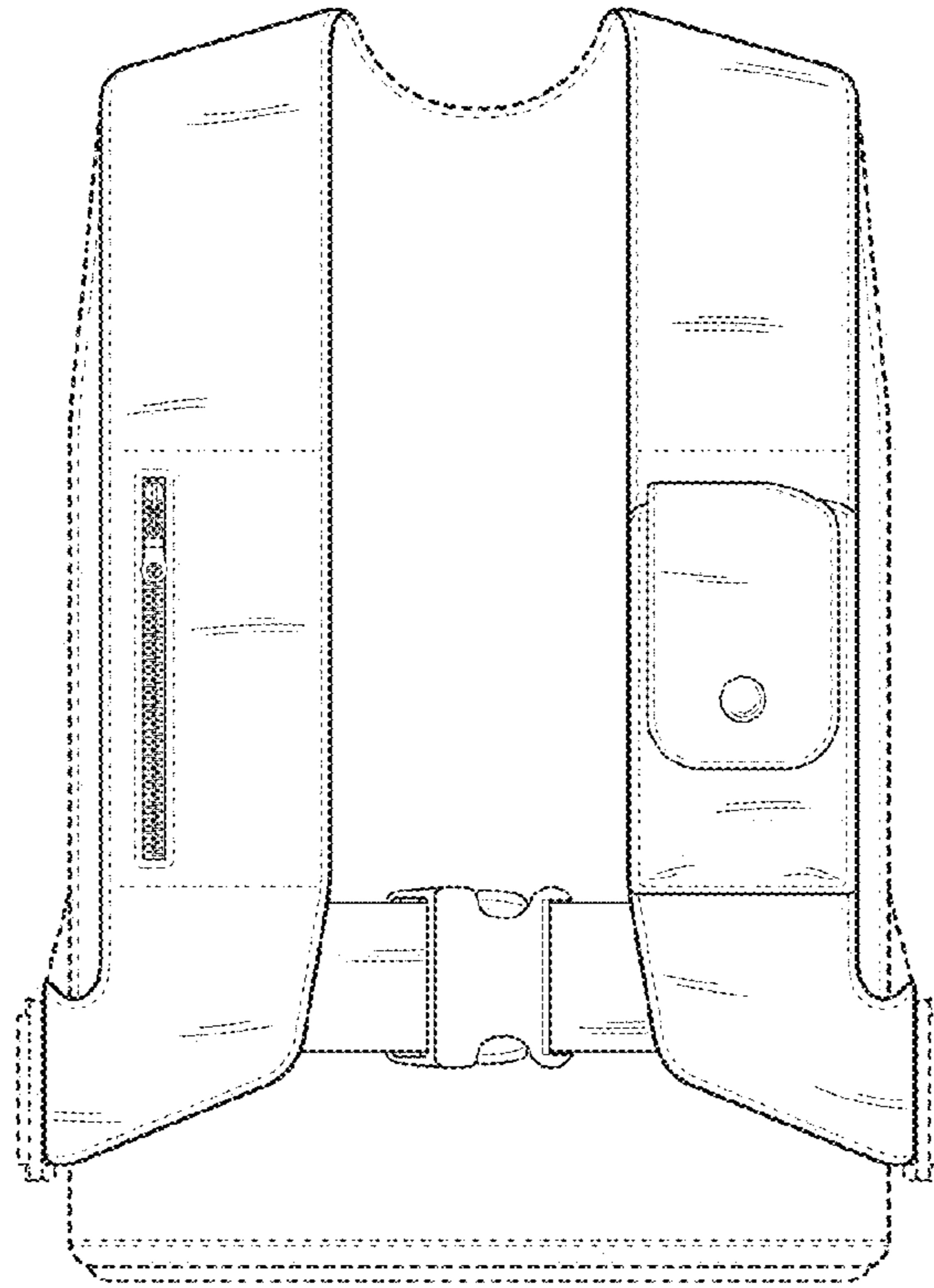


FIG. 2

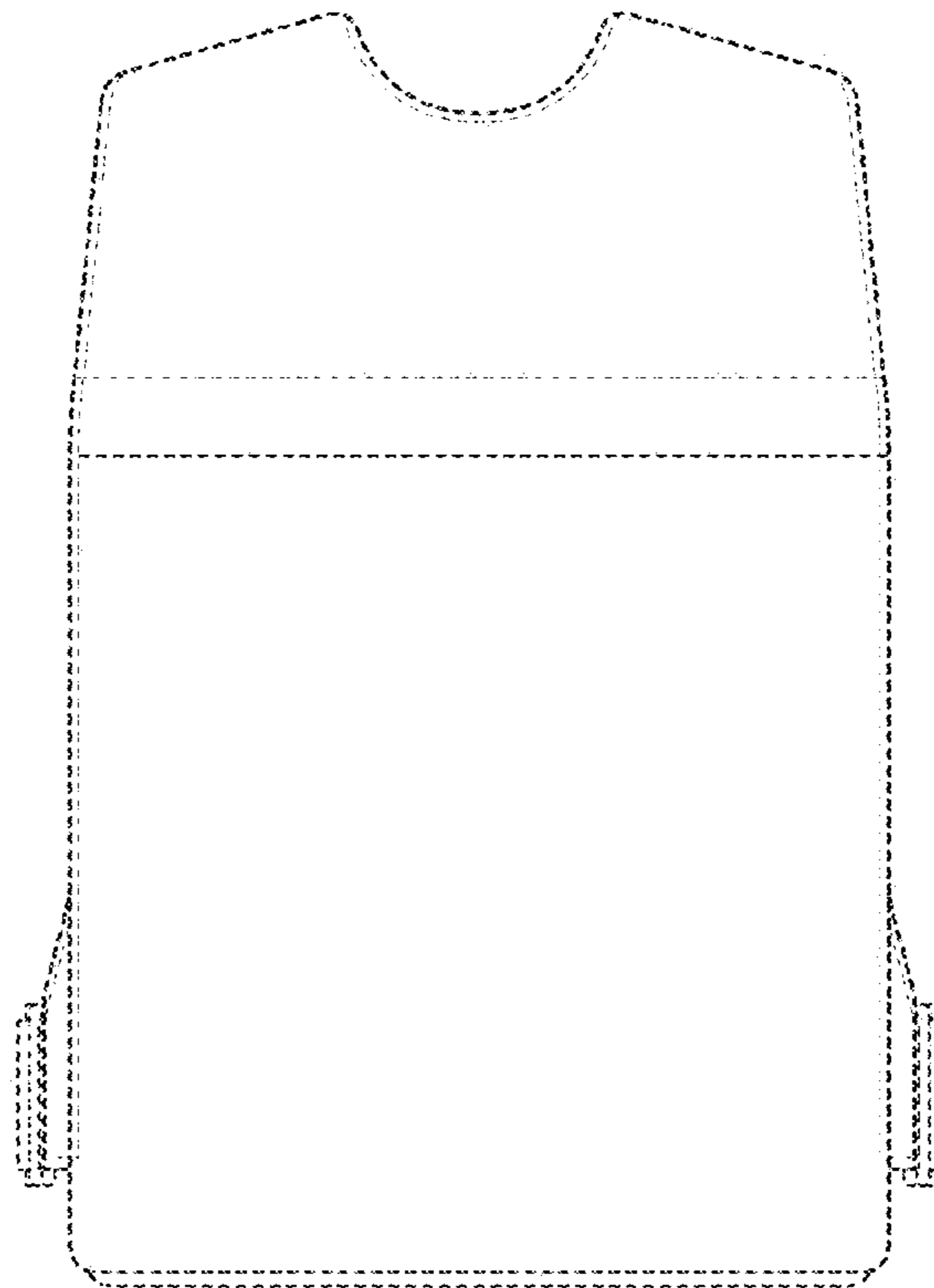


FIG. 3

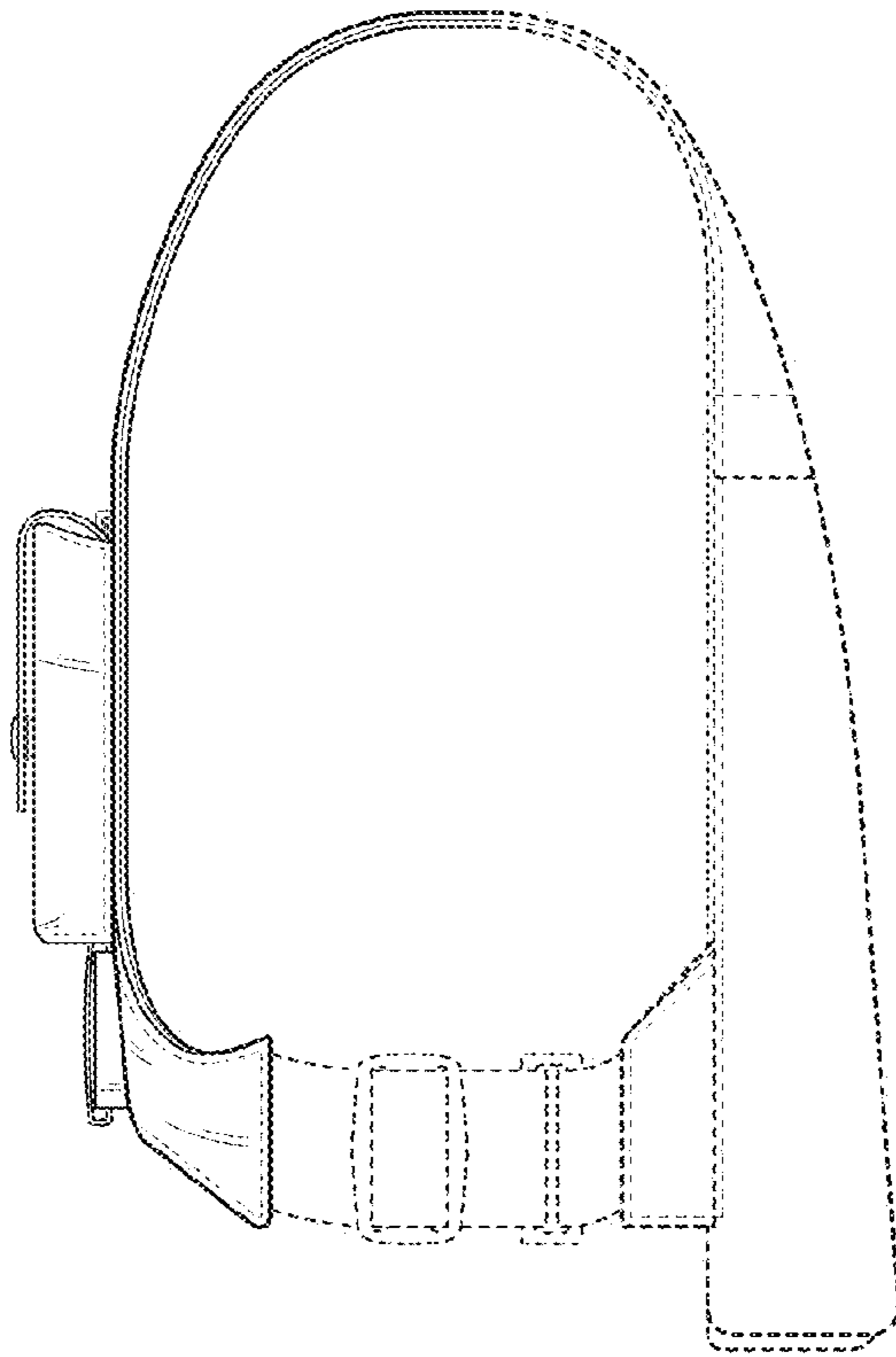


FIG. 4

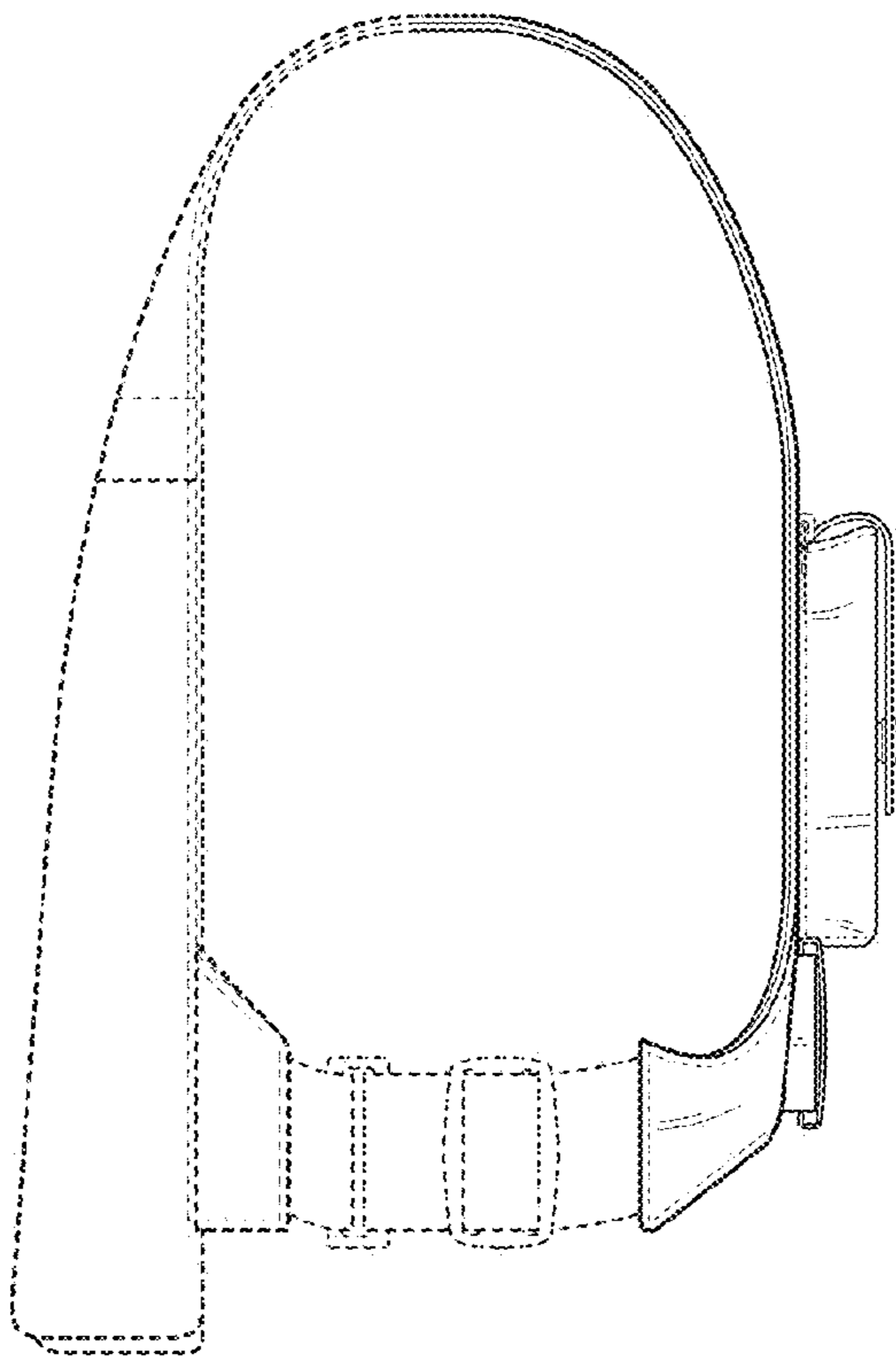


FIG. 5

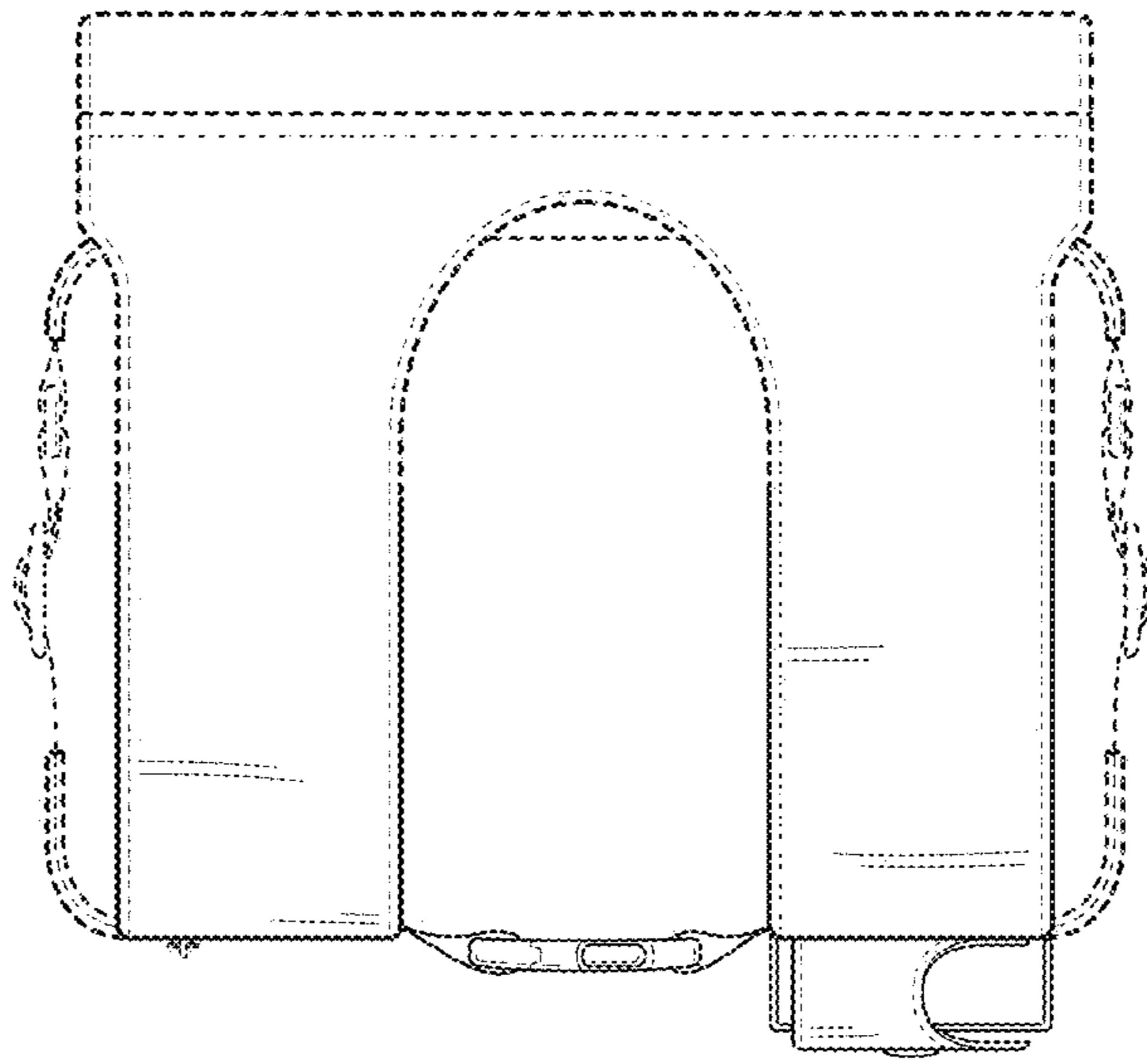


FIG. 6

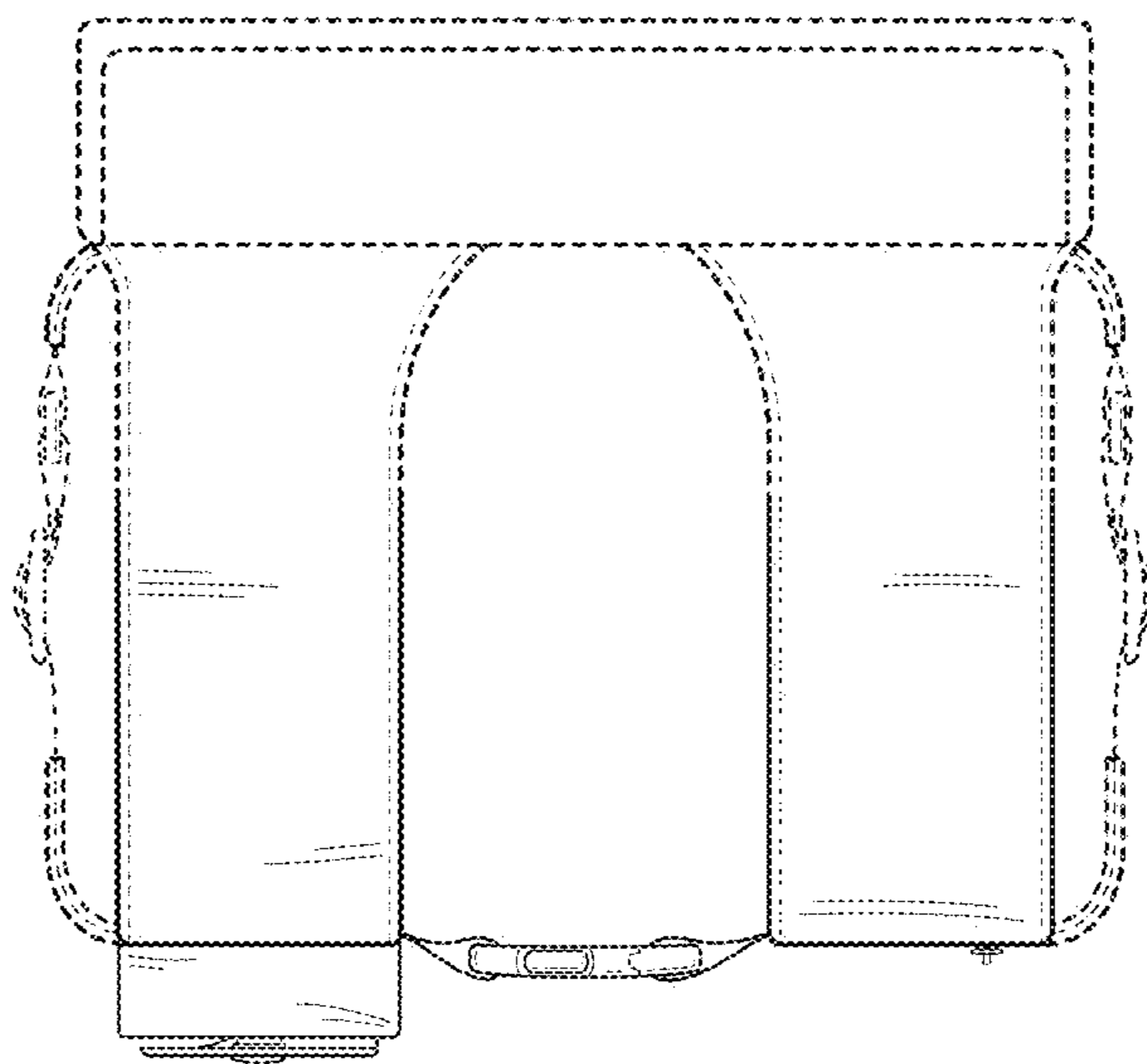


FIG. 7

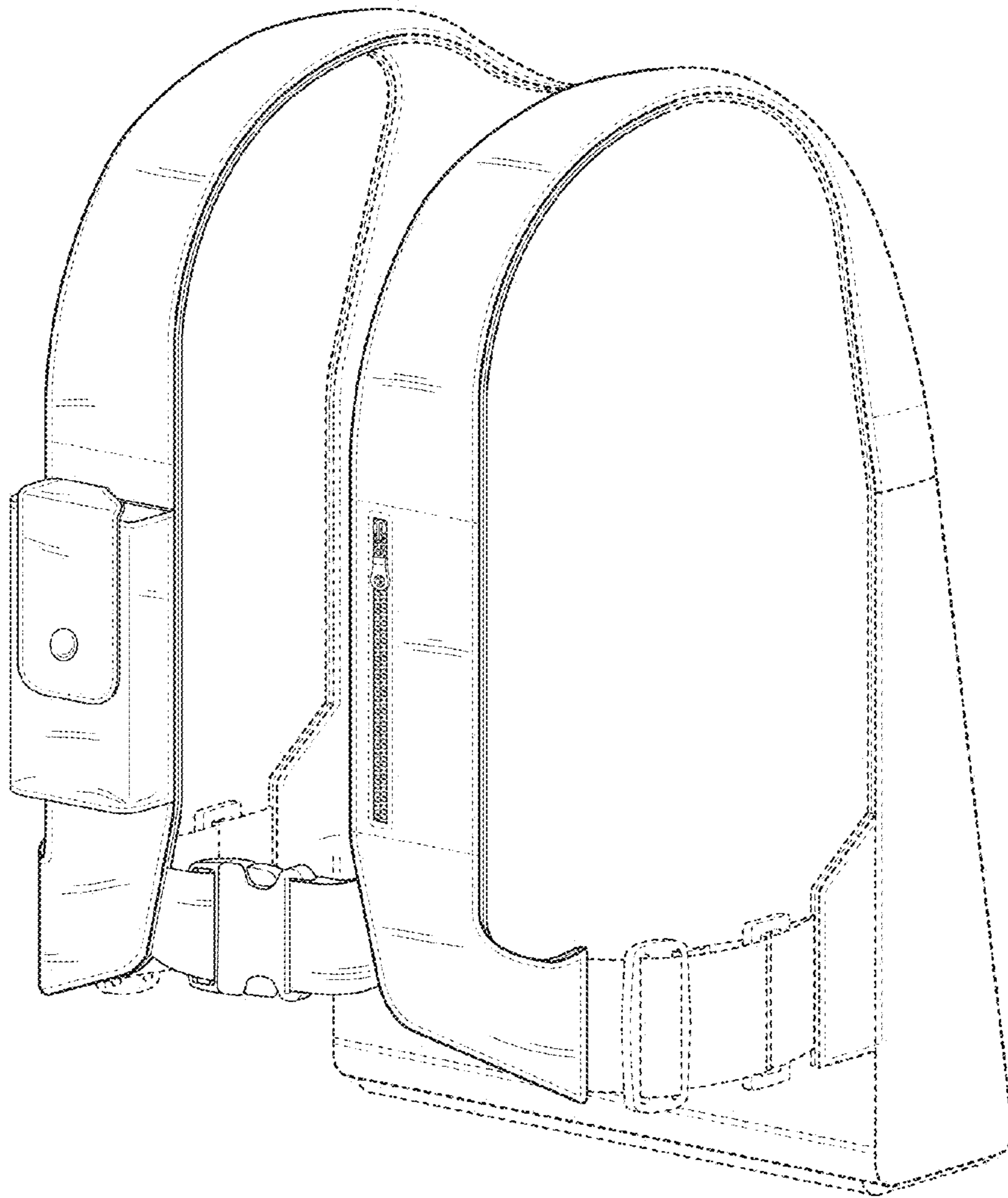


FIG. 8

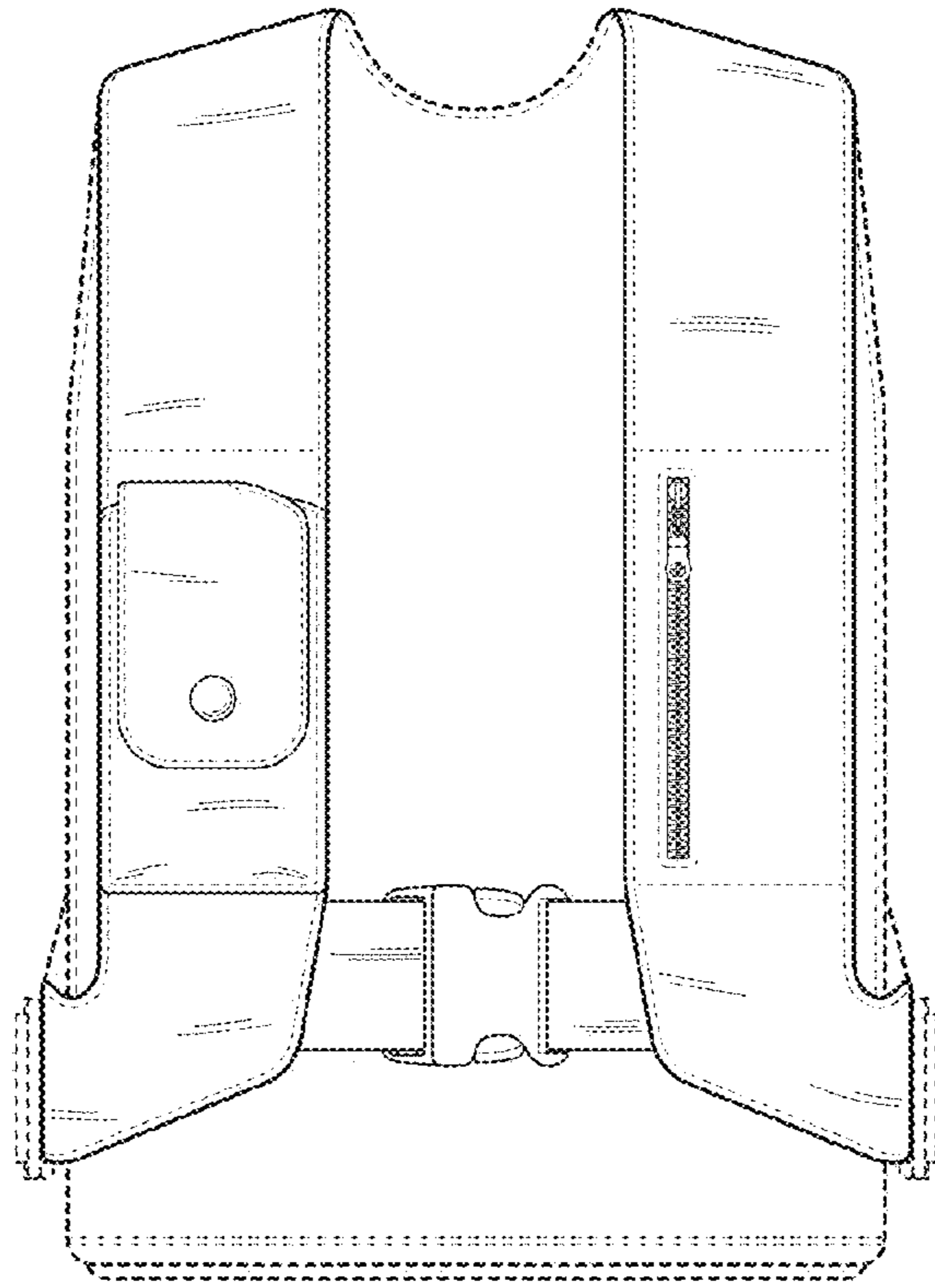


FIG. 9

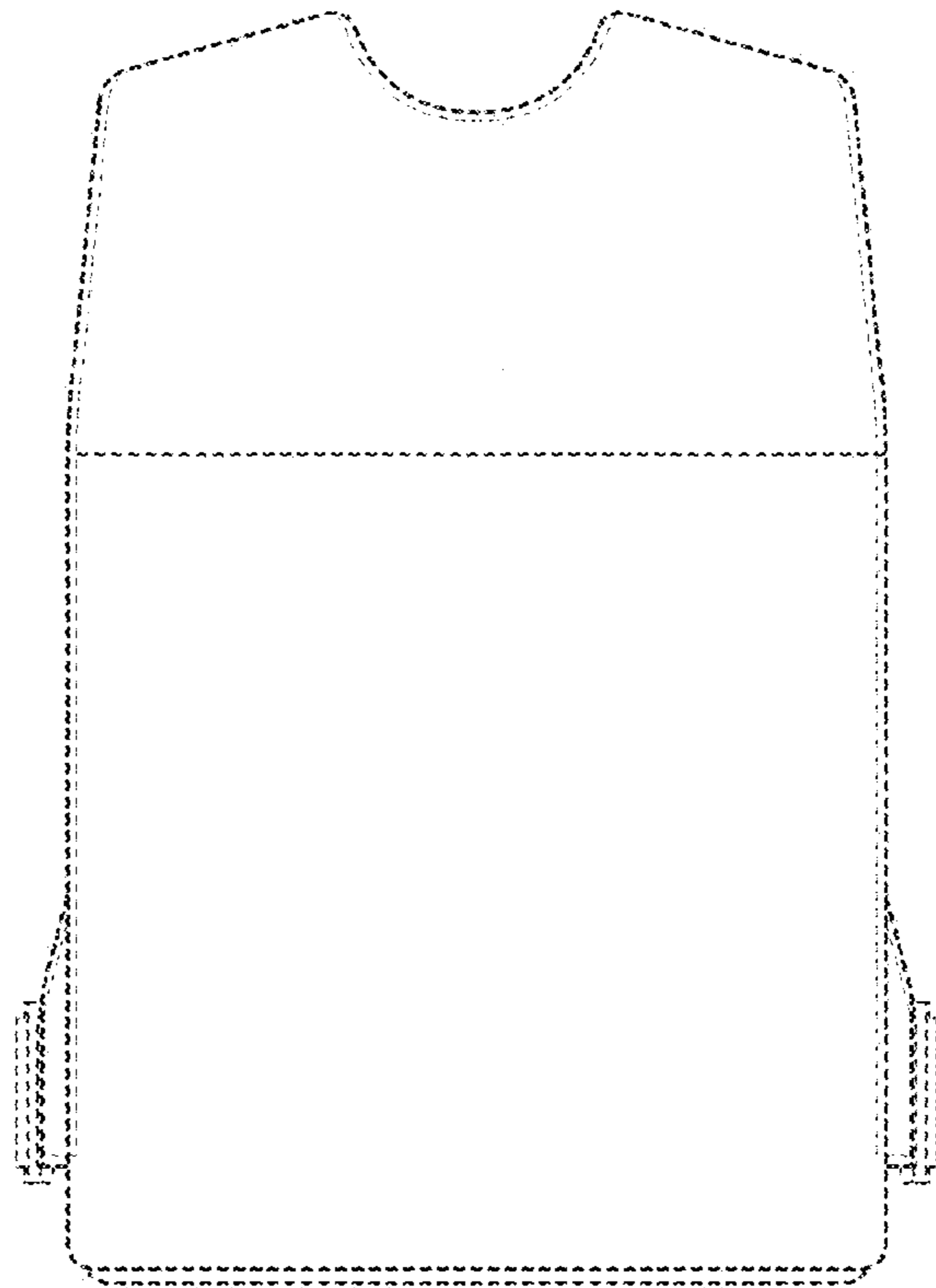


FIG. 10

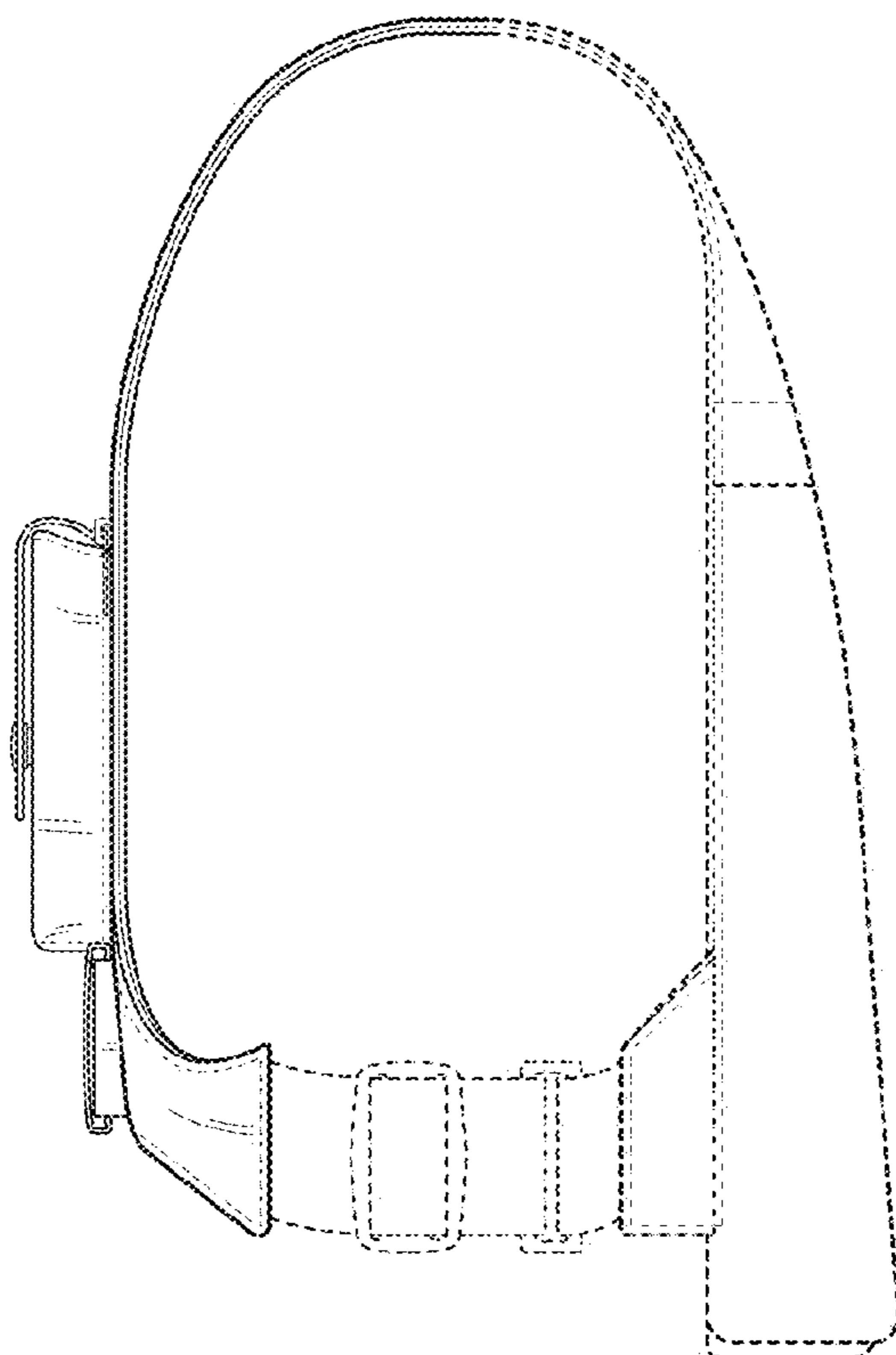


FIG. 11

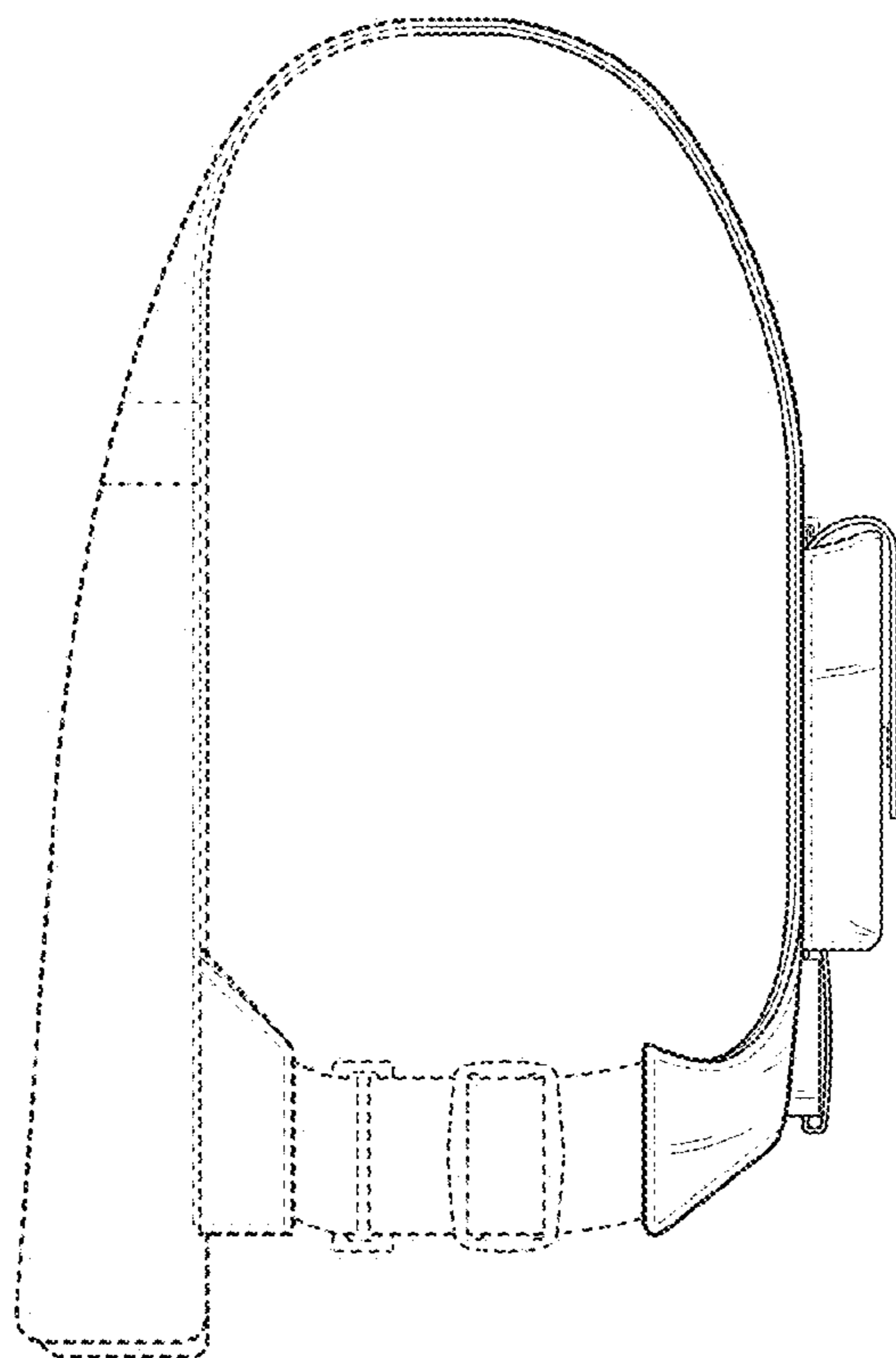


FIG. 12

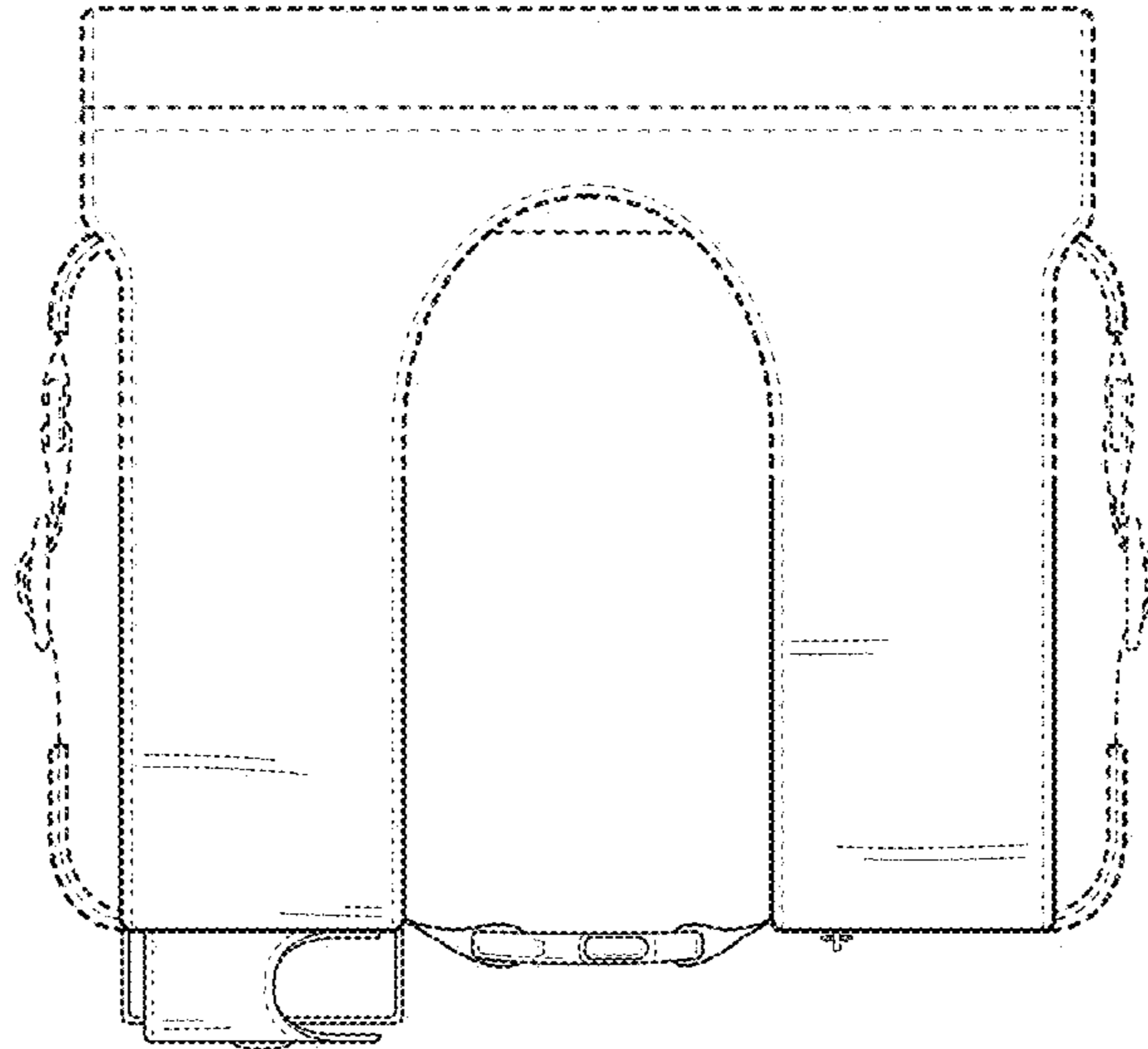


FIG. 13

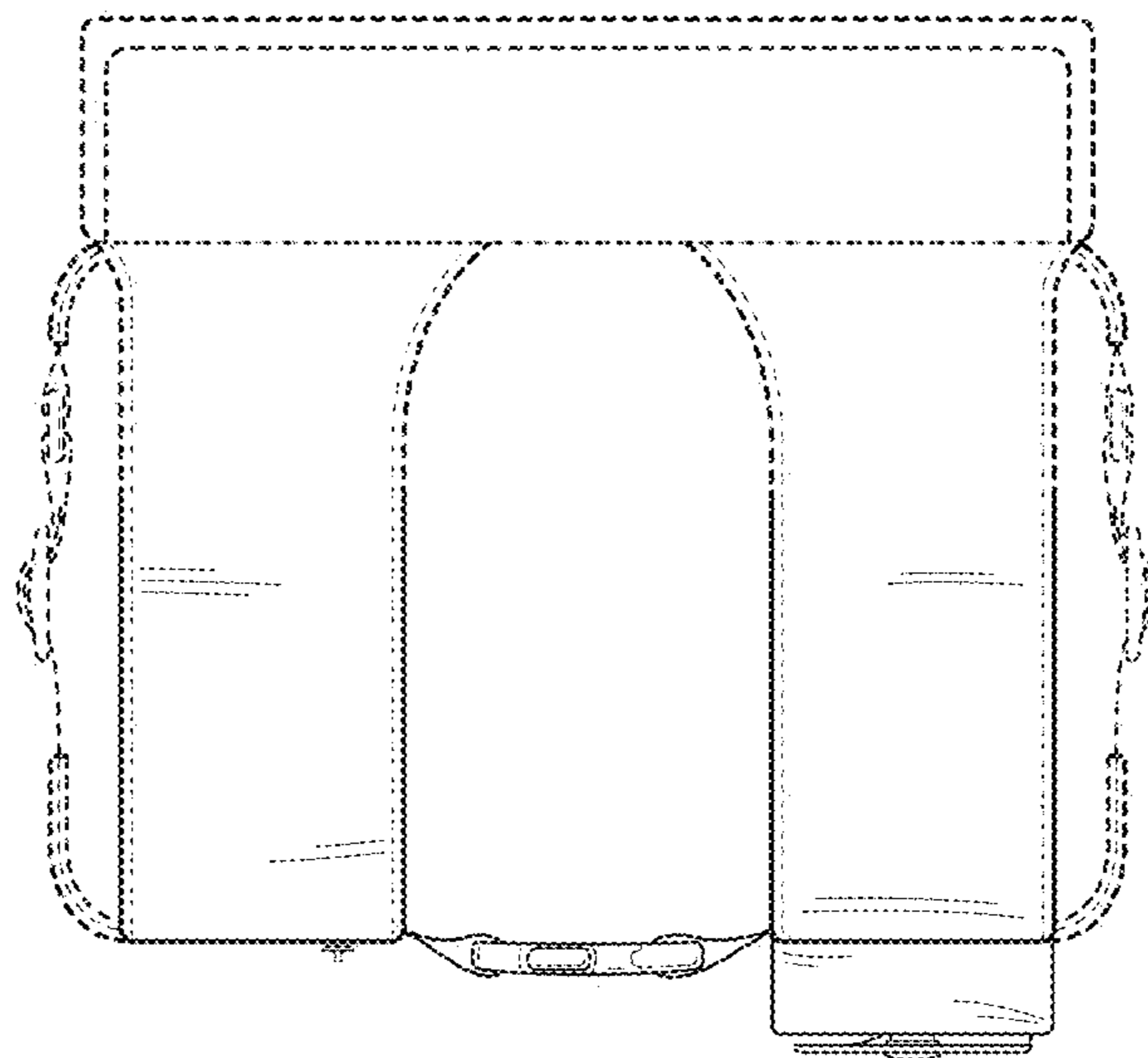


FIG. 14