



US00D683950S

(12) **United States Design Patent**
Ernster et al.

(10) **Patent No.:** **US D683,950 S**

(45) **Date of Patent:** **** Jun. 11, 2013**

(54) **STACKABLE TRAYS FOR AN EPISTAXIS TREATMENT KIT**

D436,500 S * 1/2001 Kearney D7/553.5
D605,896 S * 12/2009 Zalewski et al. D7/553.1
D631,937 S * 2/2011 Sykes D22/136

(75) Inventors: **Joel A. Ernster**, Colorado Springs, CO (US); **Michael F. Lush**, Castle Rock, CO (US); **Donald R. Landis, Sr.**, Hampton, GA (US)

* cited by examiner

Primary Examiner — Catheri Oliver-Garcia

(74) *Attorney, Agent, or Firm* — Dorr, Carson & Birney, P.C.

(73) Assignee: **NSI-ENT, LLC**, Peachtree City, GA (US)

(57) **CLAIM**

The ornamental design for stackable trays for an epistaxis treatment kit, as shown and described.

(**) **Term:** **14 Years**

DESCRIPTION

(21) Appl. No.: **29/406,688**

(22) Filed: **Nov. 17, 2011**

(51) **LOC (9) Cl.** **03-01**

(52) **U.S. Cl.**
USPC **D3/203.1**

(58) **Field of Classification Search**
USPC D3/201–205, 901, 903, 904–905,
D3/313–314, 295, 304; 206/534.1, 535, 538;
D7/553.2, 553.3, 553.4, 554.3, 555;
220/500–501, 212, 662, 665, 575; D24/227;
D22/136; D19/75

See application file for complete search history.

FIG. 1 is a front perspective view of the stackable trays for an epistaxis treatment kit showing our new design;
FIG. 2 is a front perspective view of the upper tray.
FIG. 3 is a top plan view of the upper tray.
FIG. 4 is a front elevational view of the upper tray.
FIG. 5 is a right side elevational view of the upper tray.
FIG. 6 is a left side elevational view of the upper tray.
FIG. 7 is a bottom plan view of the upper tray.
FIG. 8 is a rear elevational view of the upper tray
FIG. 9 is a front perspective view of the lower tray.
FIG. 10 is a top plan view of the lower tray.
FIG. 11 is a right side elevational view of the lower tray.
FIG. 12 is a left side elevational view of the lower tray.
FIG. 13 is a bottom plan view of the lower tray.
FIG. 14 is a rear elevational view of the lower tray; and,
FIG. 15 is a front elevational view of the lower tray.

(56) **References Cited**

U.S. PATENT DOCUMENTS

D327,363 S * 6/1992 Farb D3/203.1
D424,807 S * 5/2000 Dembicks D3/313

1 Claim, 7 Drawing Sheets

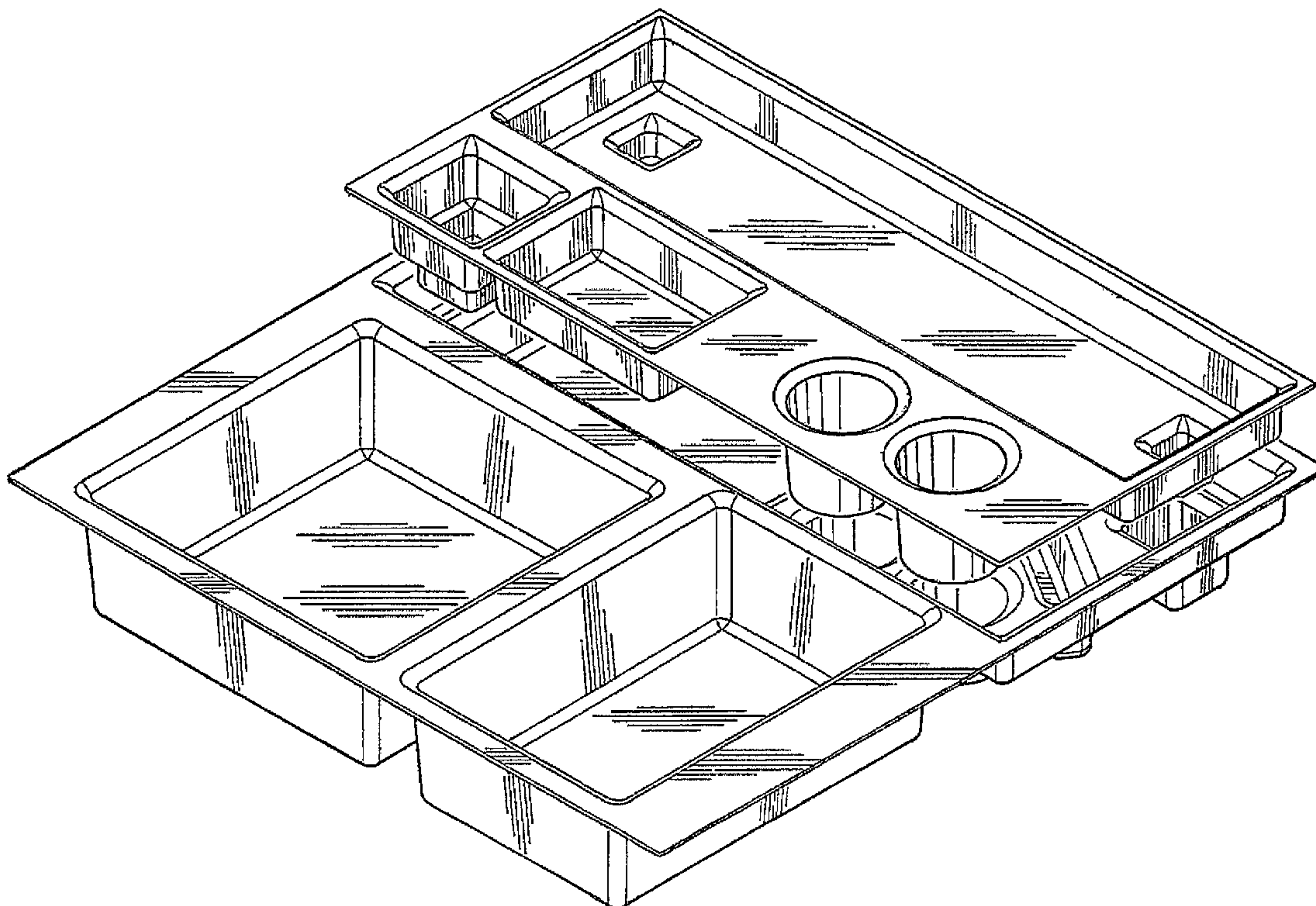
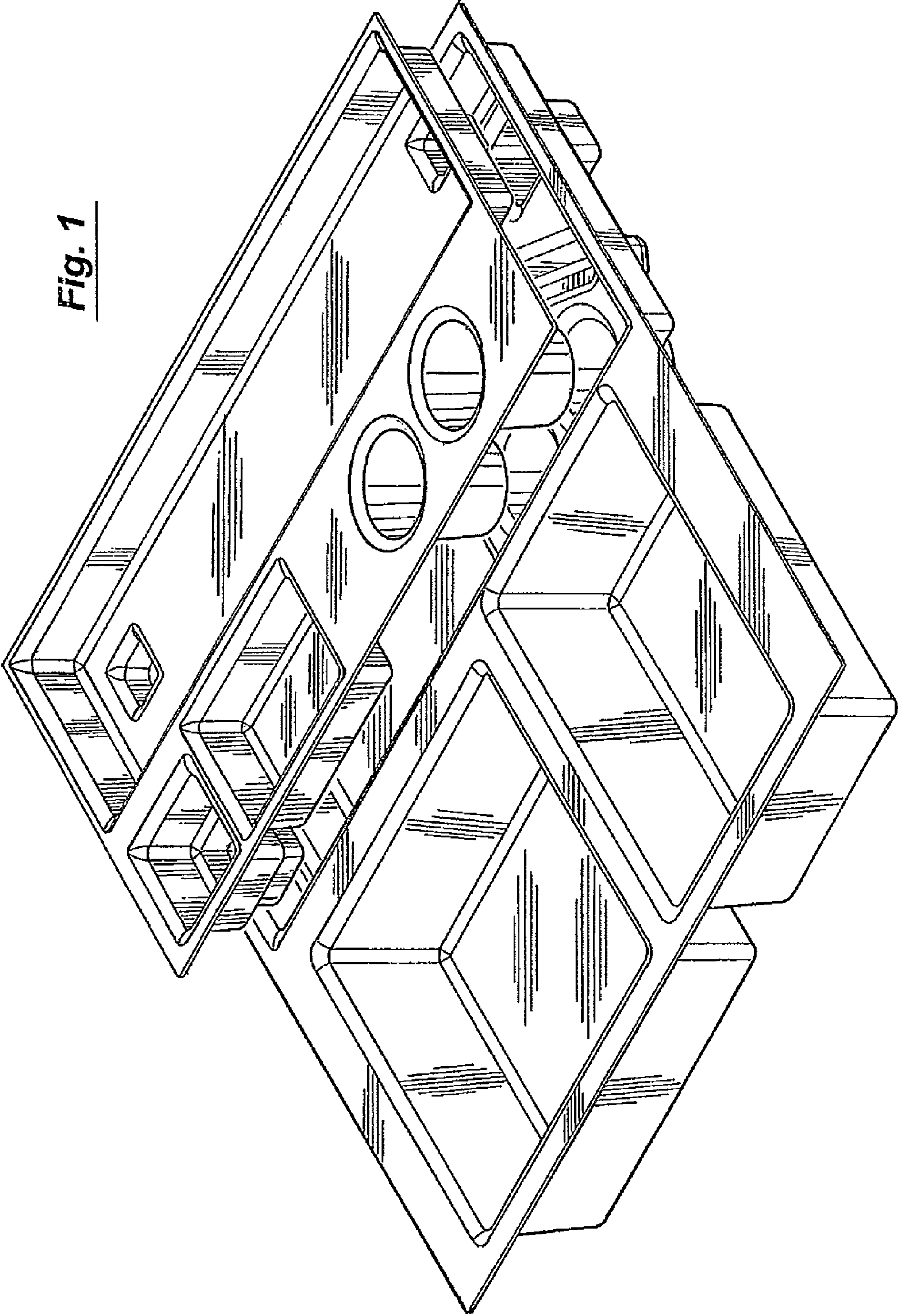


Fig. 1



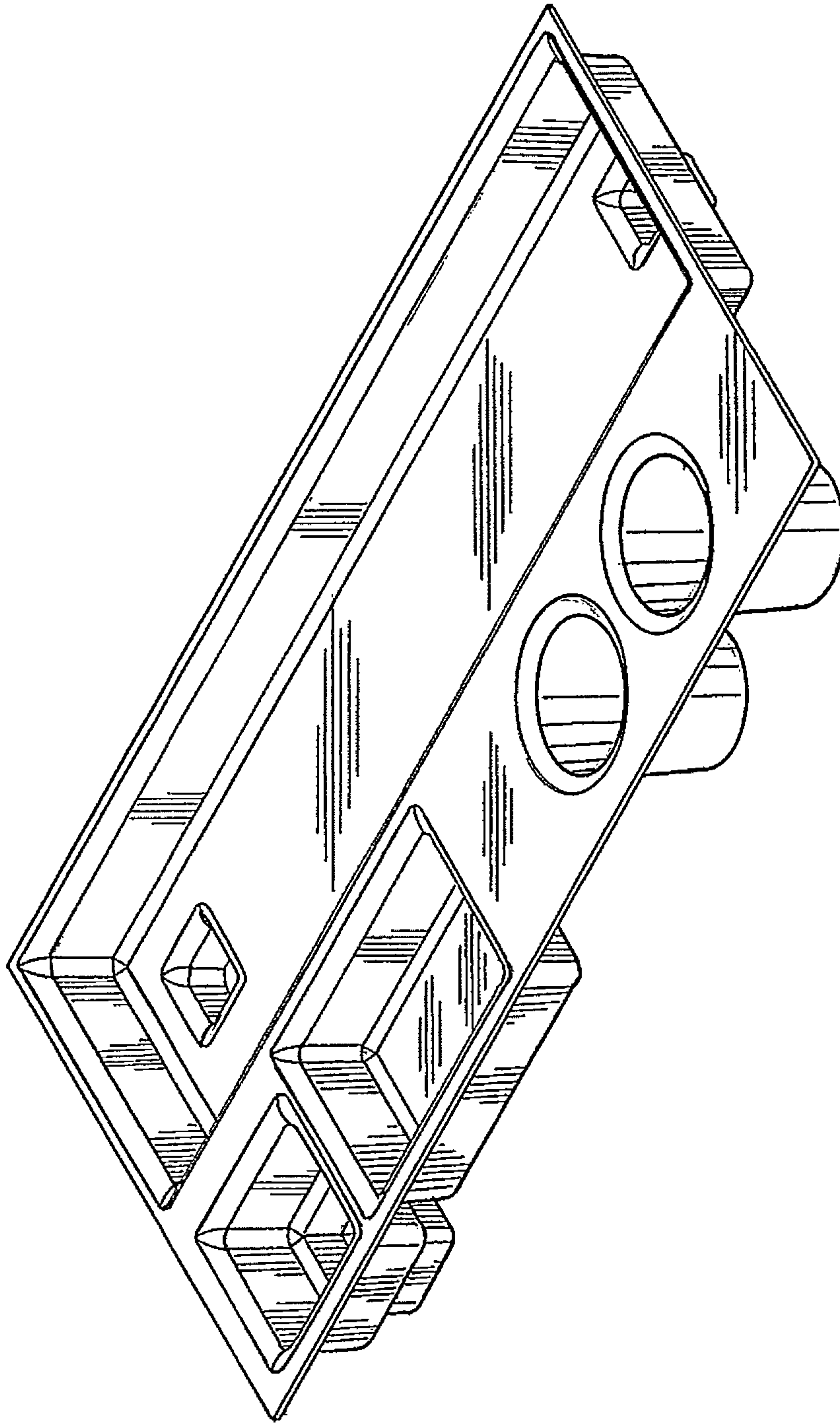


Fig. 2

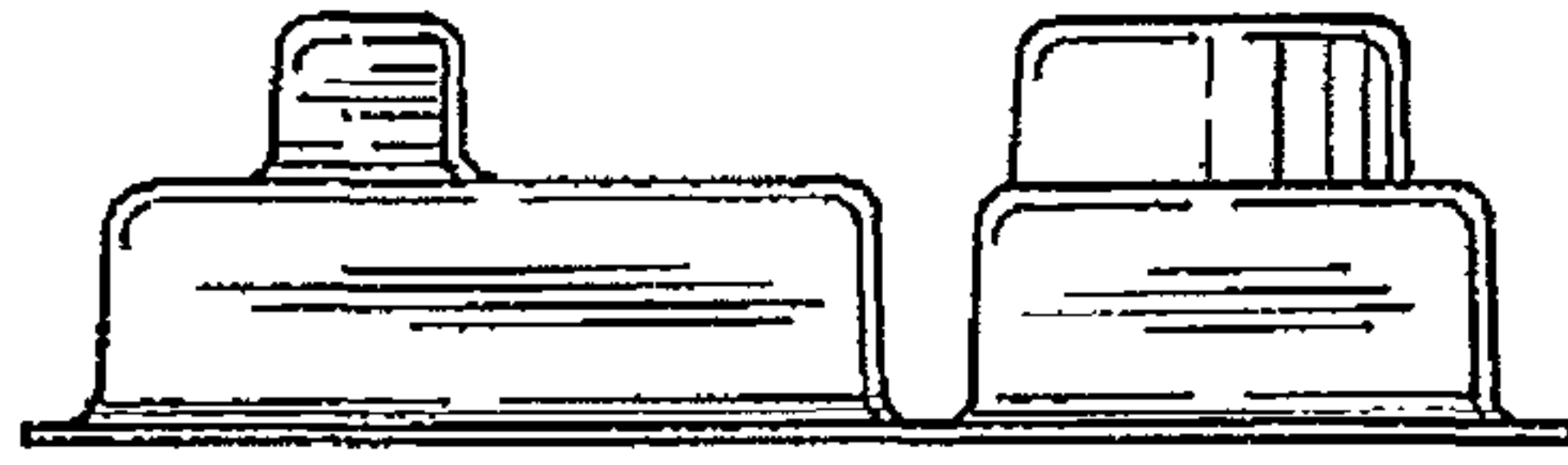


Fig. 5

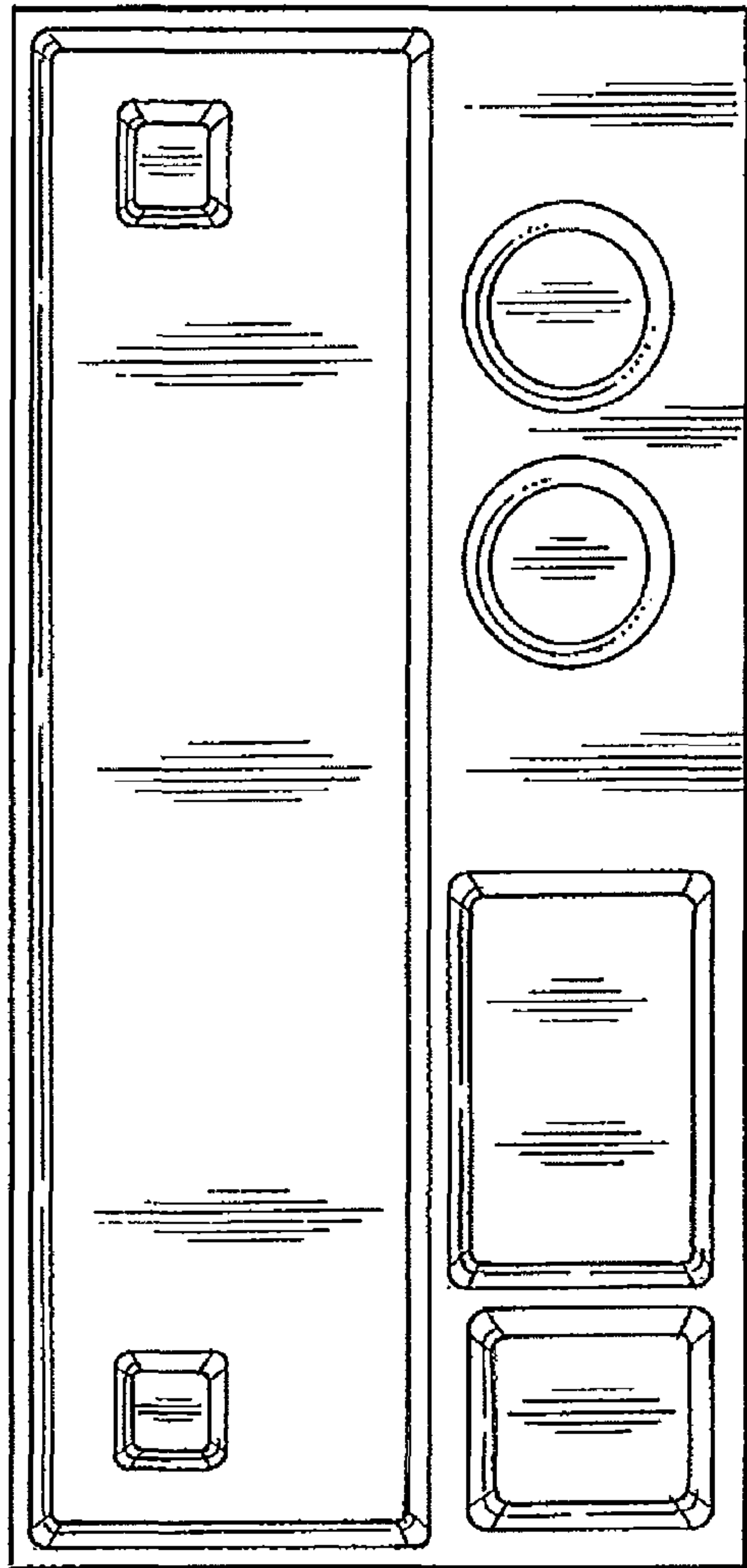


Fig. 3

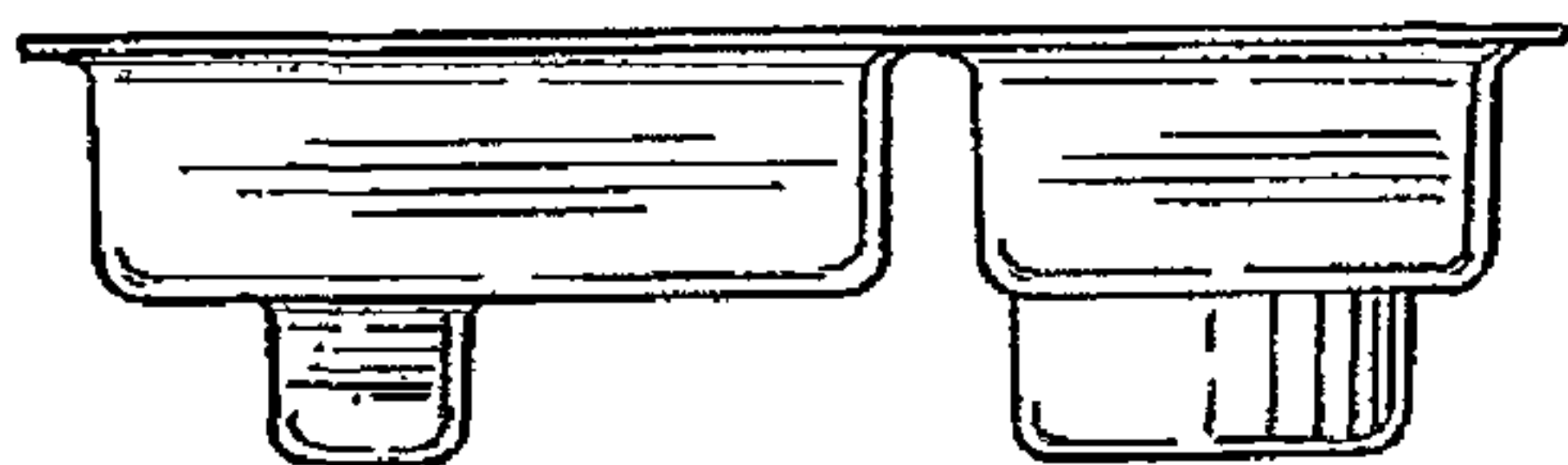


Fig. 6

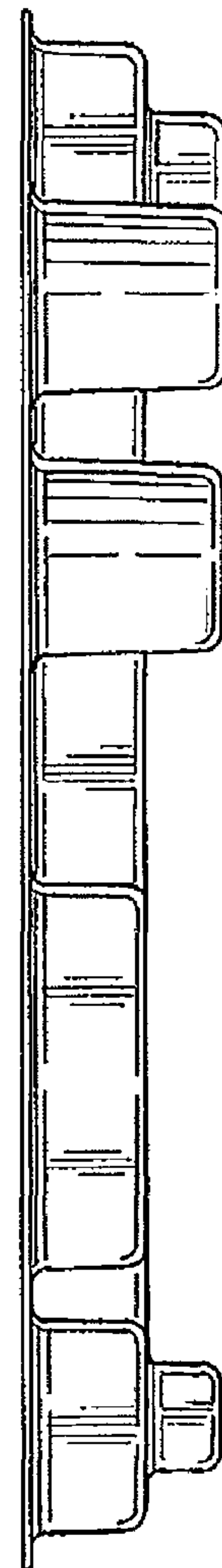


Fig. 4

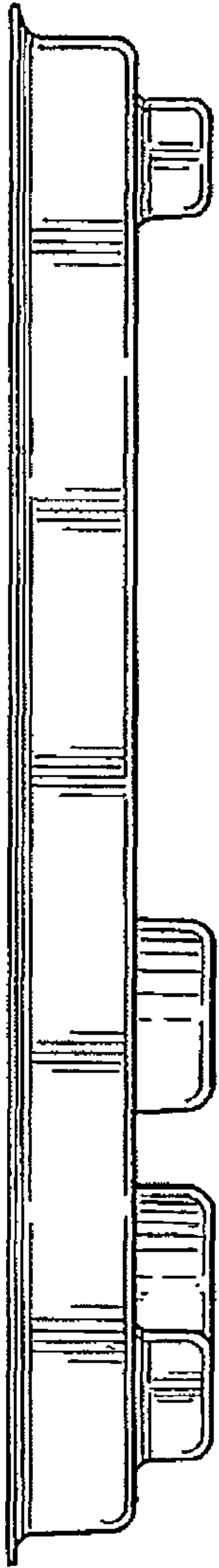


Fig. 8

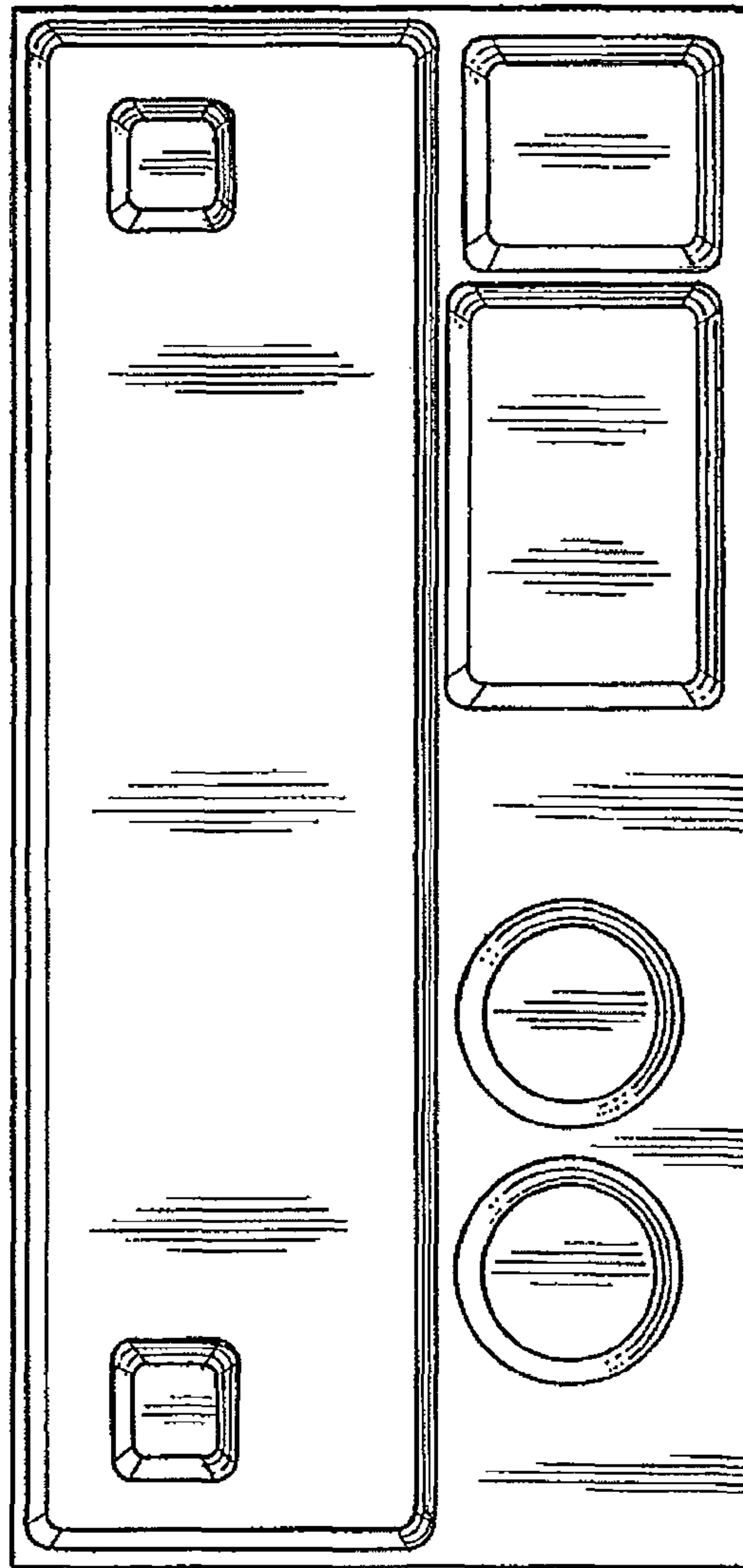


Fig. 7

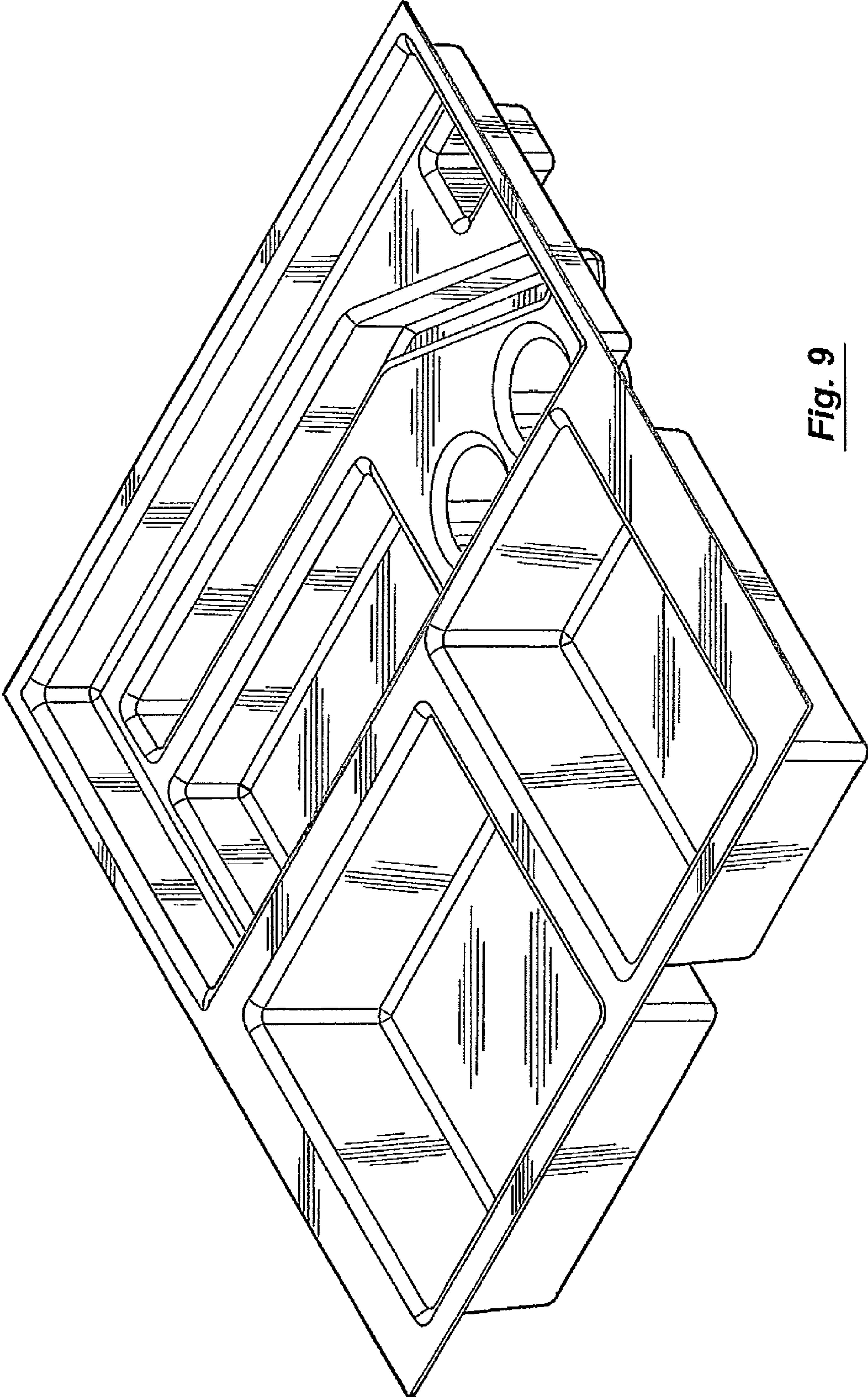


Fig. 9

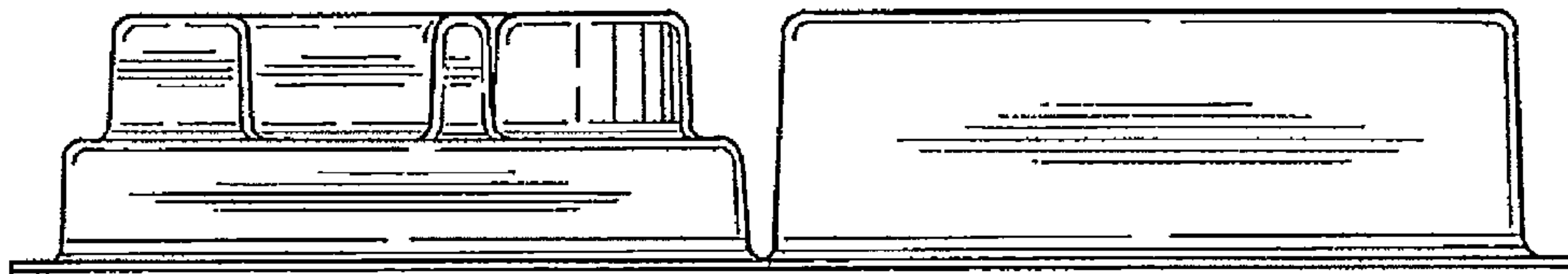


Fig. 11

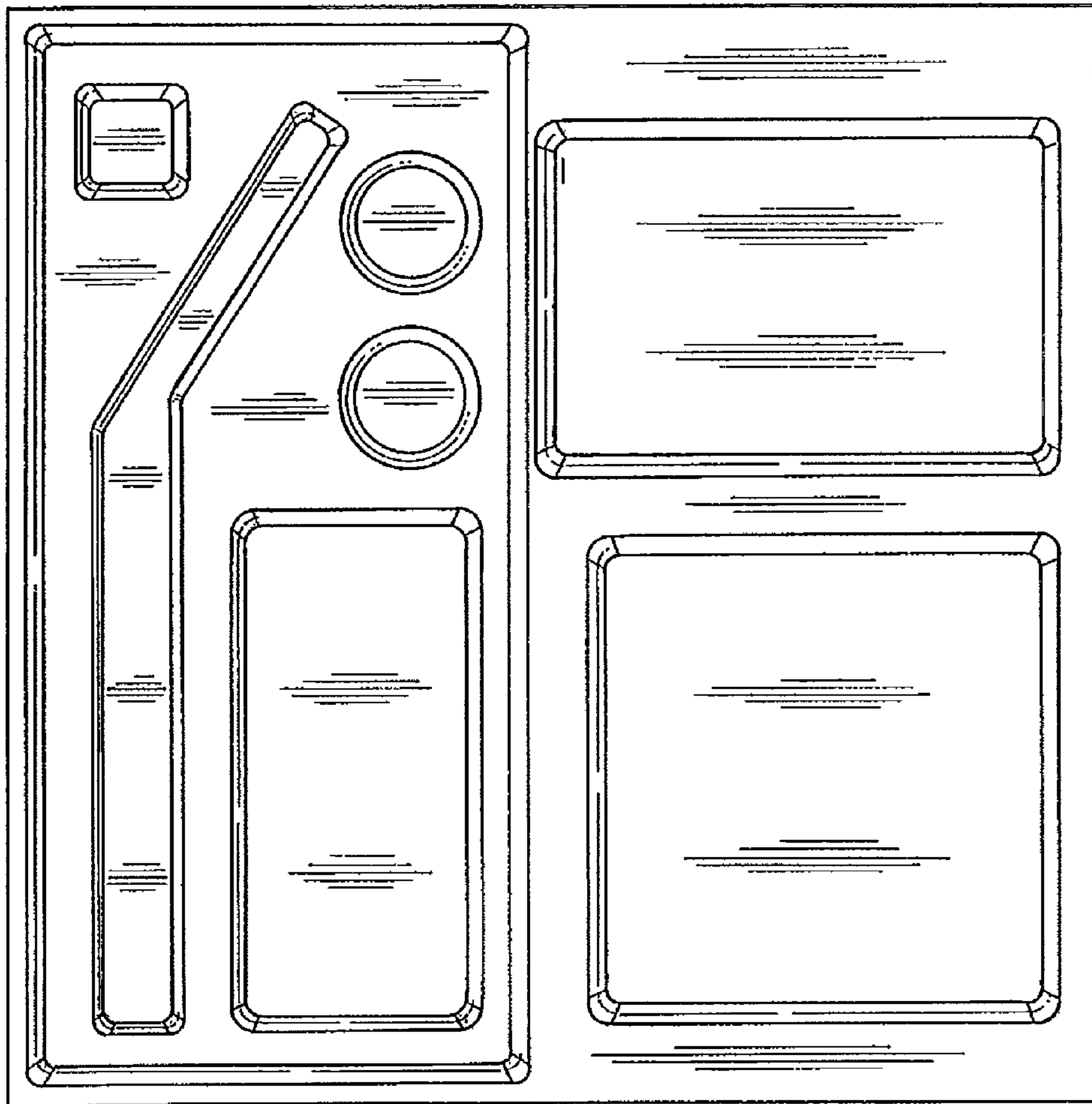


Fig. 10

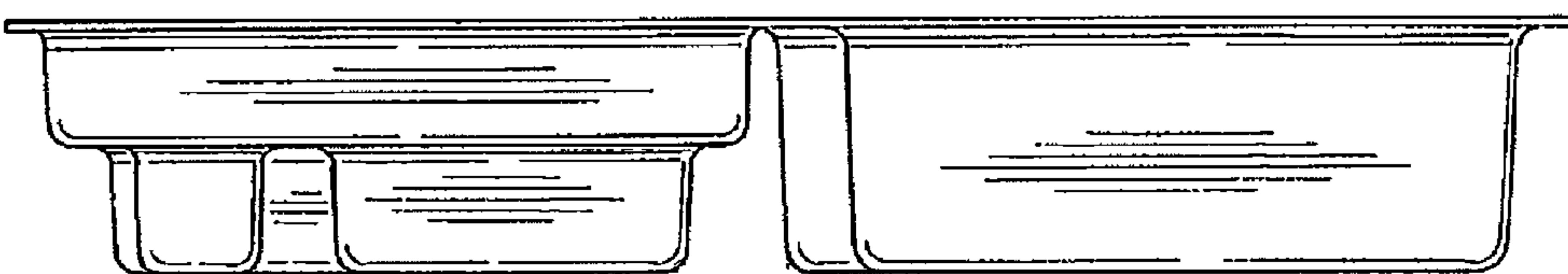


Fig. 12

Fig. 14

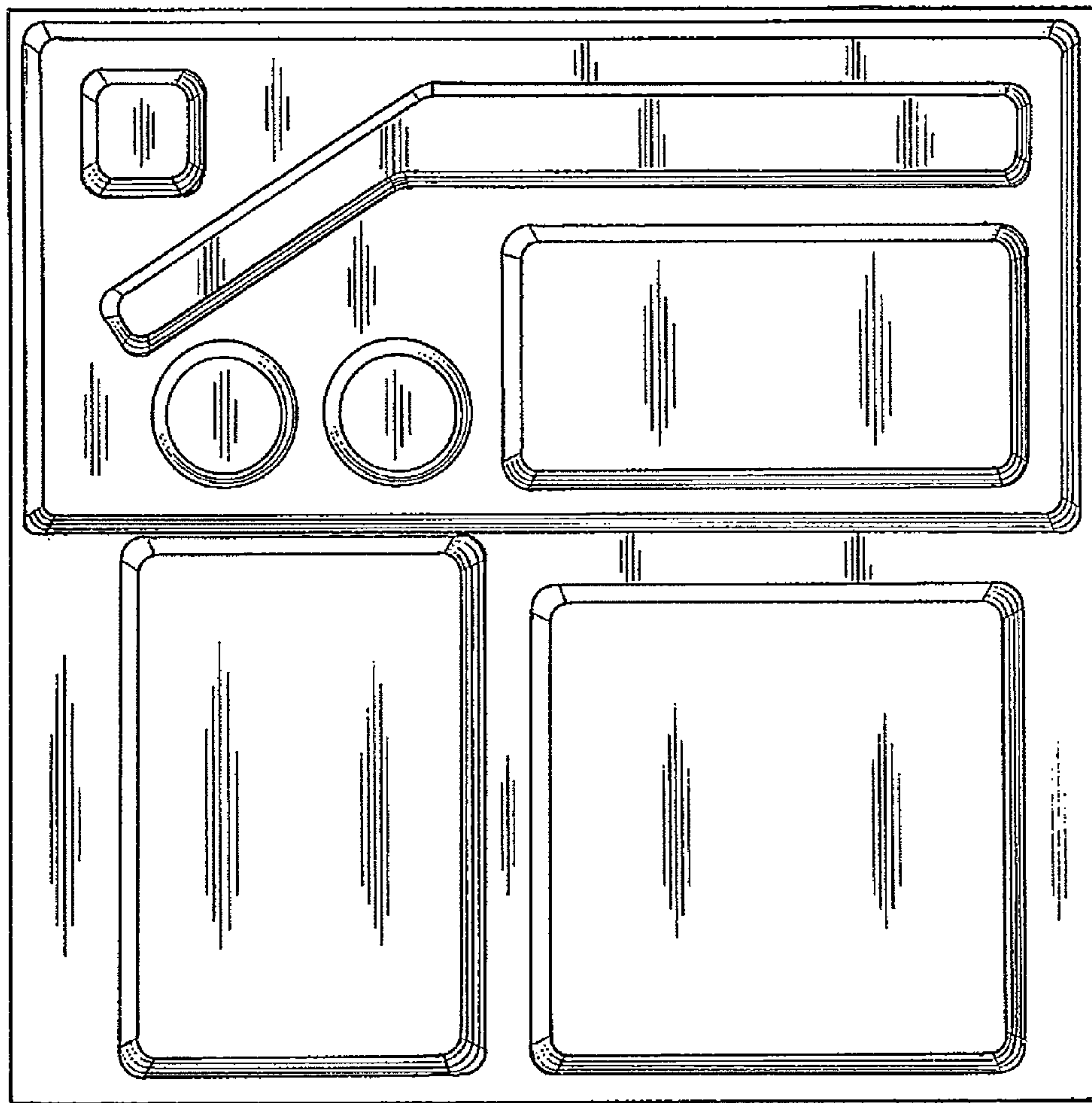
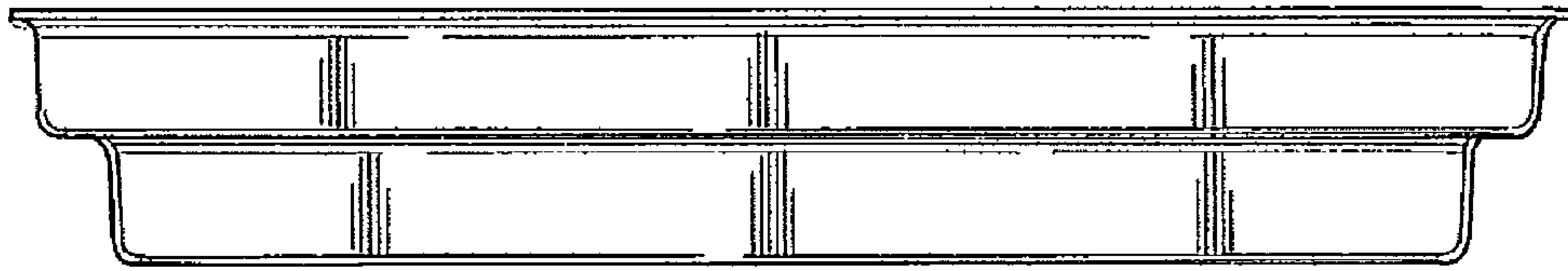


Fig. 13

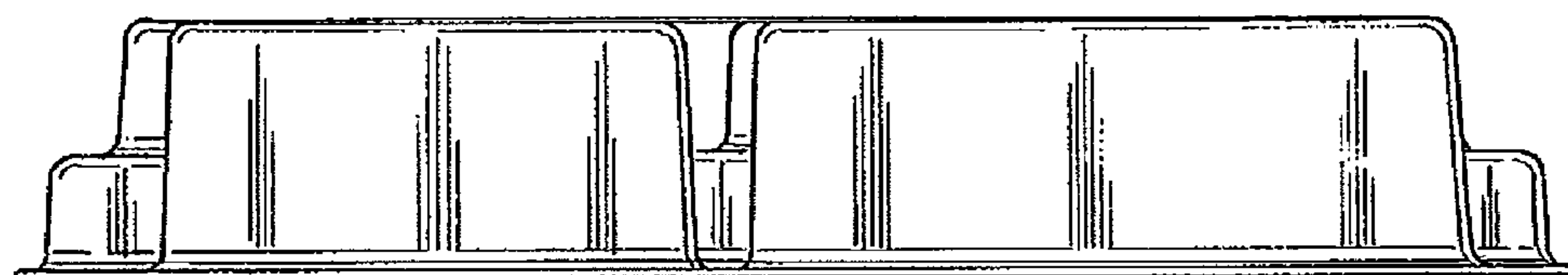


Fig. 15