



US00D683940S

(12) **United States Design Patent**  
**Del Biondi**

(10) **Patent No.:** **US D683,940 S**  
(45) **Date of Patent:** **\*\* Jun. 11, 2013**

(54) **FOOTWEAR**

(75) Inventor: **Stefano Del Biondi**, Noventa Padovana (IT)

(73) Assignee: **Crocs, Inc.**, Niwot, CO (US)

(\*\*) Term: **14 Years**

(21) Appl. No.: **29/418,409**

(22) Filed: **Apr. 16, 2012**

(51) **LOC (9) Cl.** ..... **02-04**

(52) **U.S. Cl.**  
USPC ..... **D2/953**; D2/947; D2/951

(58) **Field of Classification Search**  
USPC ..... D2/902, 906, 908, 916, 918, 925,  
D2/946-962, 977; 36/3 B, 22 R, 24.5, 25 R,  
36/28, 32 R, 34 R, 59 C, 67 A, 103  
See application file for complete search history.

(56) **References Cited**

**U.S. PATENT DOCUMENTS**

6,516,540	B2 *	2/2003	Seydel et al.	36/29
D520,720	S *	5/2006	Hobson	D2/946
D547,939	S *	8/2007	Link	D2/977
D554,836	S *	11/2007	Shaffer	D2/951
7,320,188	B2 *	1/2008	Bathum	36/11.5
D597,287	S *	8/2009	Vestuti et al.	D2/956
D610,784	S	3/2010	Del Biondi	
D625,093	S *	10/2010	Lidtke	D2/961
D627,545	S *	11/2010	Raysse	D2/947
D636,159	S *	4/2011	Petrie	D2/951
D636,570	S *	4/2011	Merritt et al.	D2/951
D664,753	S *	8/2012	Santos	D2/955

D671,726	S *	12/2012	Petrie	D2/960
8,327,559	B2 *	12/2012	Berger et al.	36/3 B
2005/0091881	A1 *	5/2005	Burgess	36/30 R
2009/0241379	A1 *	10/2009	Krikorian	36/134
2010/0107448	A1 *	5/2010	Fallow et al.	36/103
2011/0113646	A1 *	5/2011	Merritt et al.	36/28
2011/0113649	A1 *	5/2011	Merritt et al.	36/102

**OTHER PUBLICATIONS**

Crocs: Cayman, <http://www.crocs.com/crocs-cayman/10001,default,pd.html?q=cayman> (Nov. 3, 2009) (6 pages).  
Puma Crazy 8: Pumataalk Blog, <http://www.pumataalk.com/blog/?p=127> (posted Jan. 31, 2007) (6 pages).

\* cited by examiner

*Primary Examiner* — T. Chase Nelson

(74) *Attorney, Agent, or Firm* — Faegre Baker Daniels LLP

(57) **CLAIM**

The ornamental design for footwear, as shown and described.

**DESCRIPTION**

FIG. 1 is a front perspective view.

FIG. 2 is a front view.

FIG. 3 is a back view.

FIG. 4 is an inner side view.

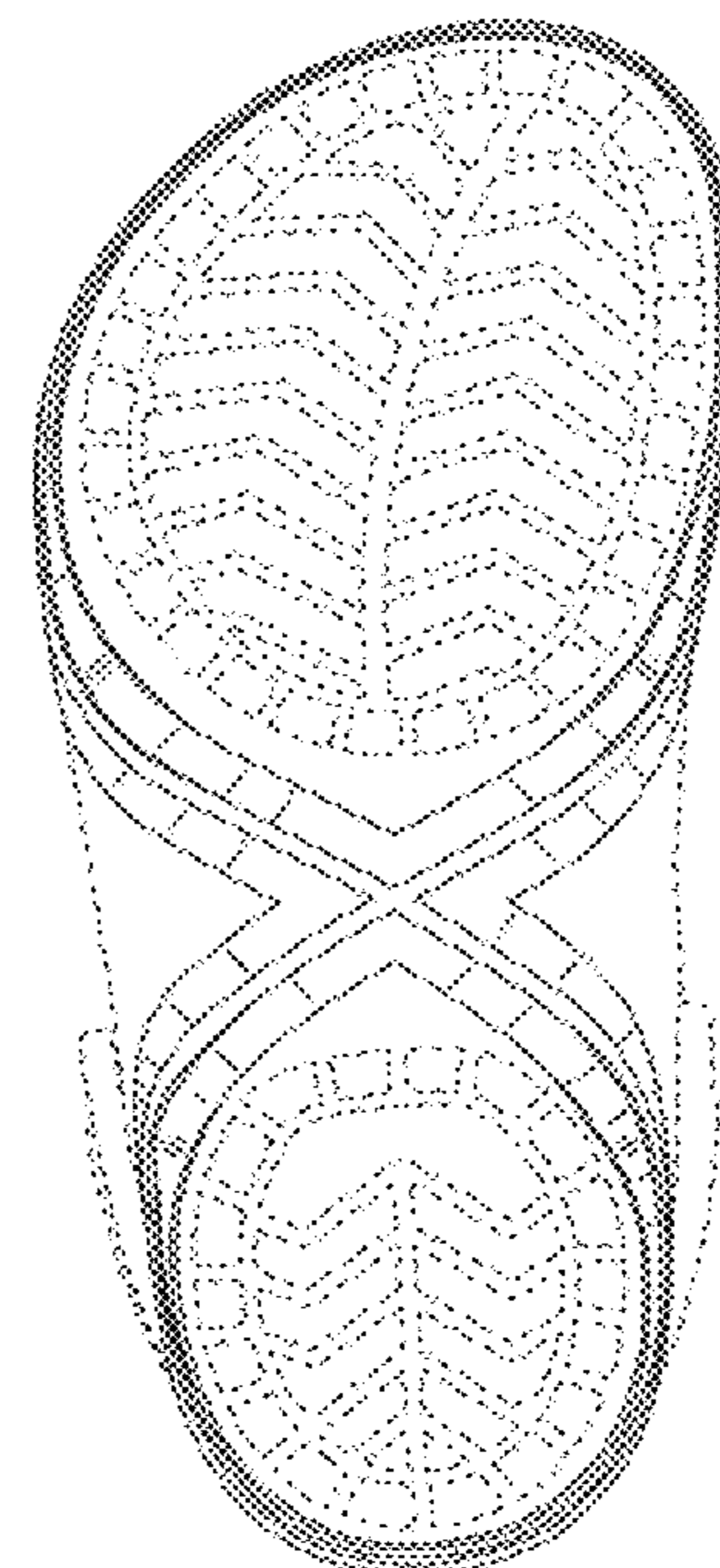
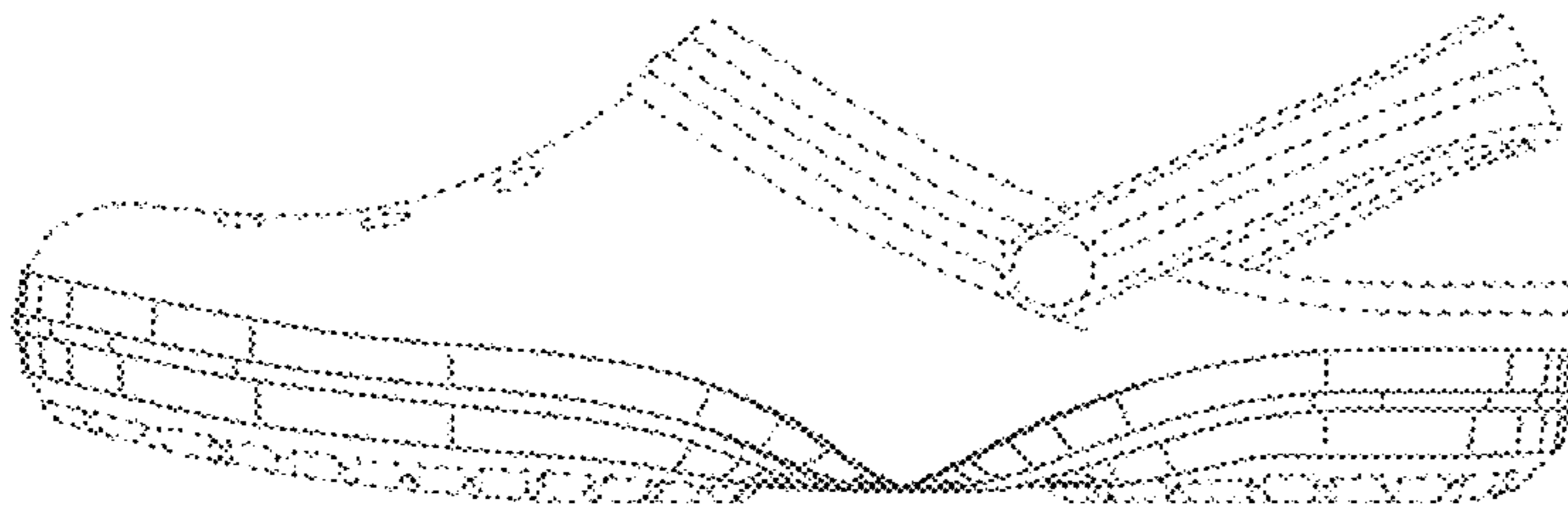
FIG. 5 is an outer side view.

FIG. 6 is a top view; and,

FIG. 7 is a bottom view.

The broken line showing of the sole, upper, footbed, and strap is for illustrative purpose only and forms no part of the claimed design.

**1 Claim, 7 Drawing Sheets**



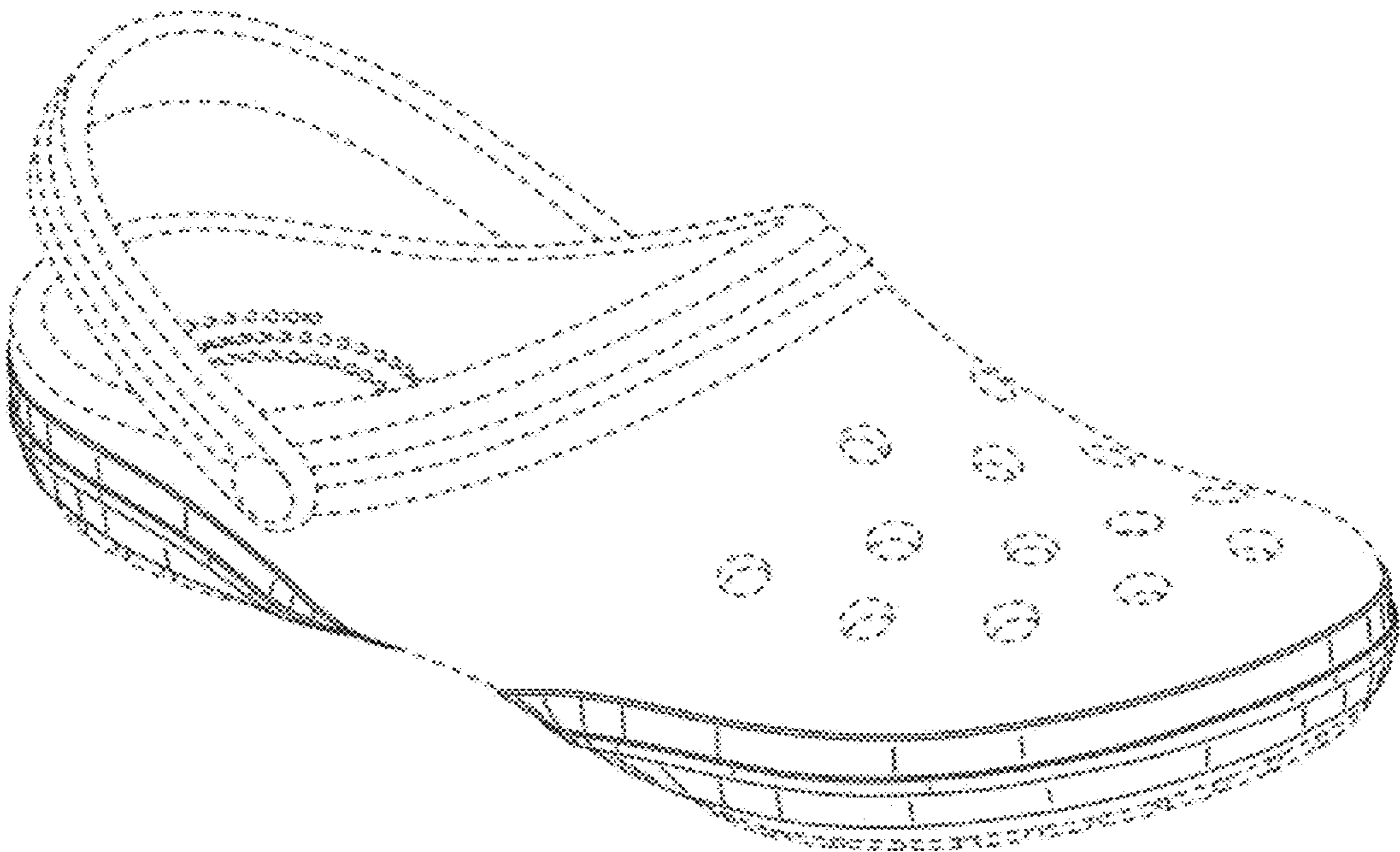


FIG. 1

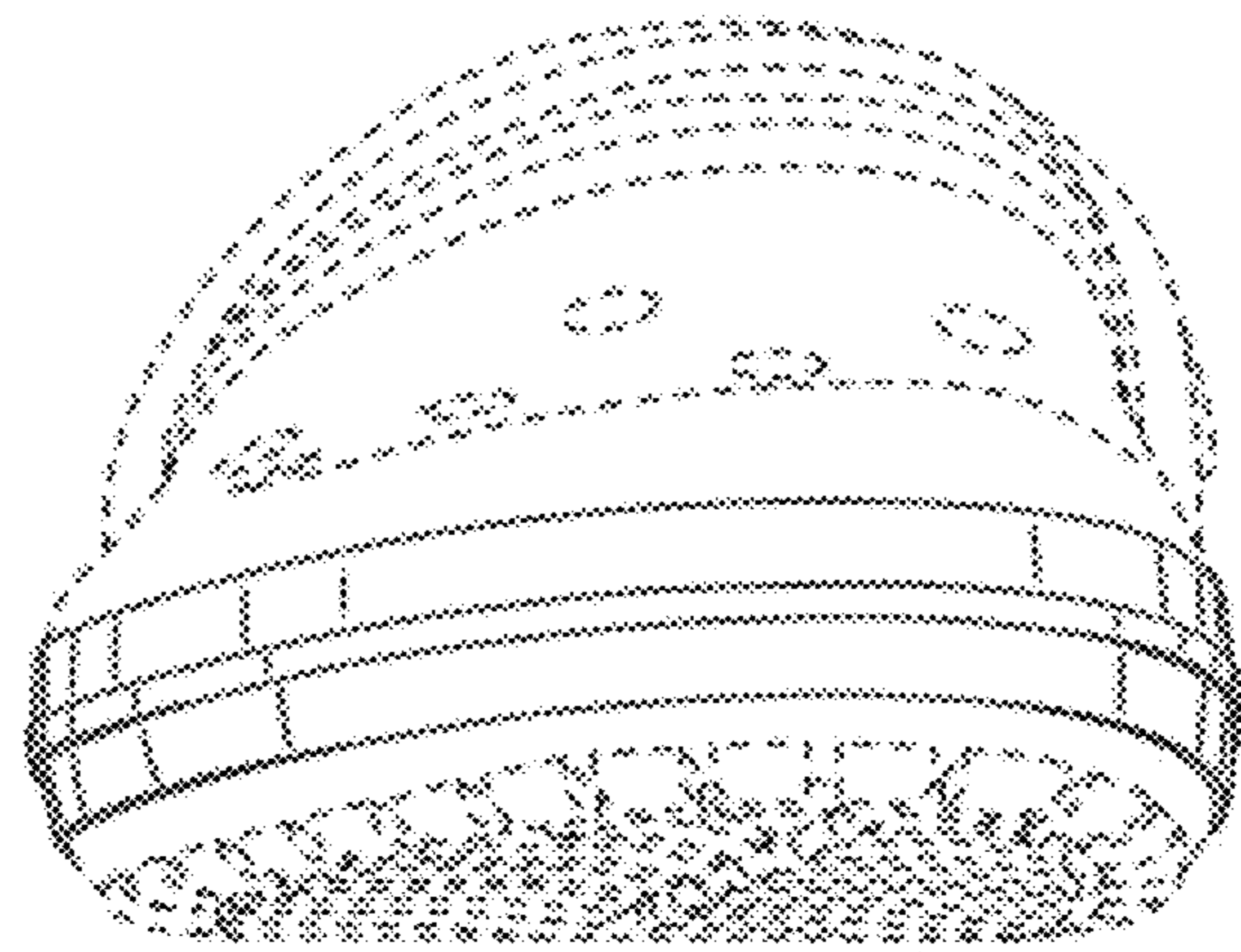


FIG.2

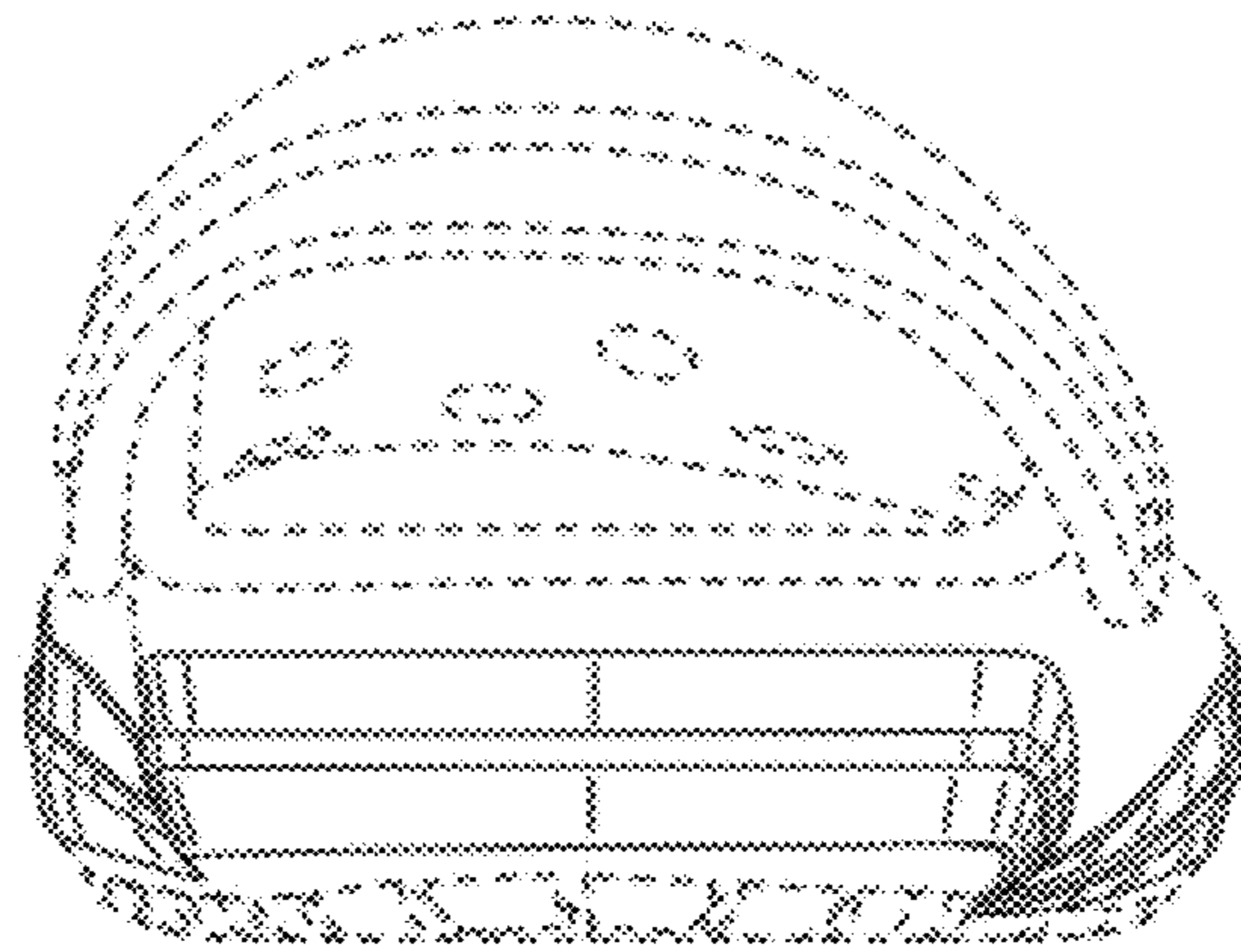


FIG.3

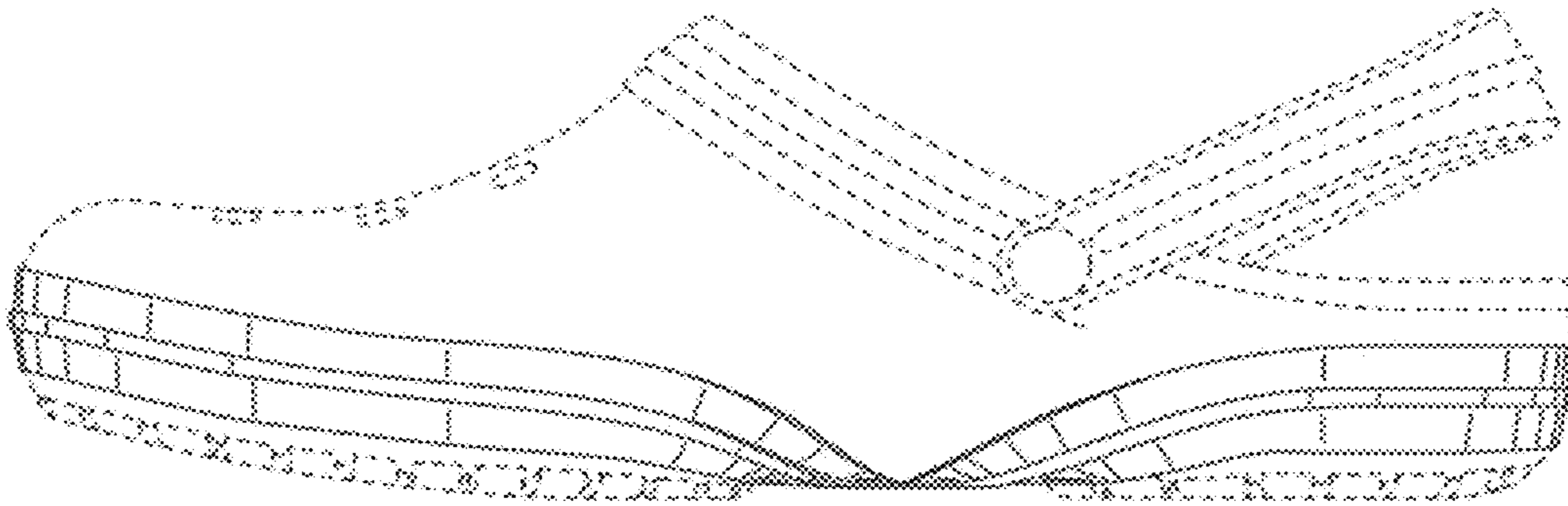


FIG.4

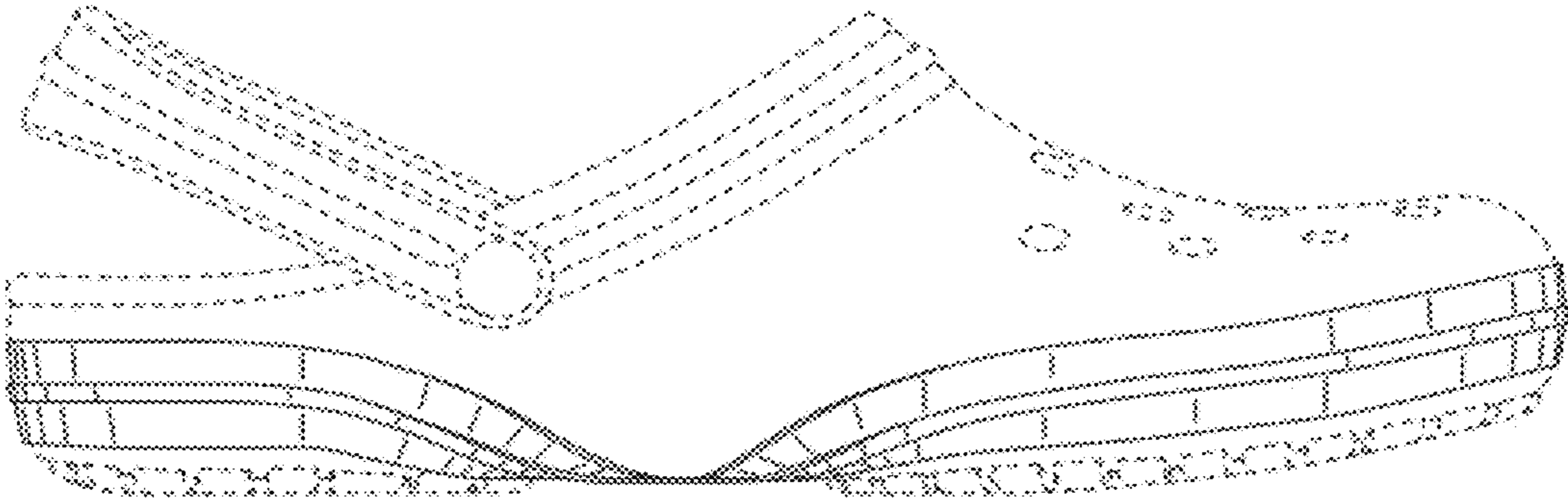


FIG.5

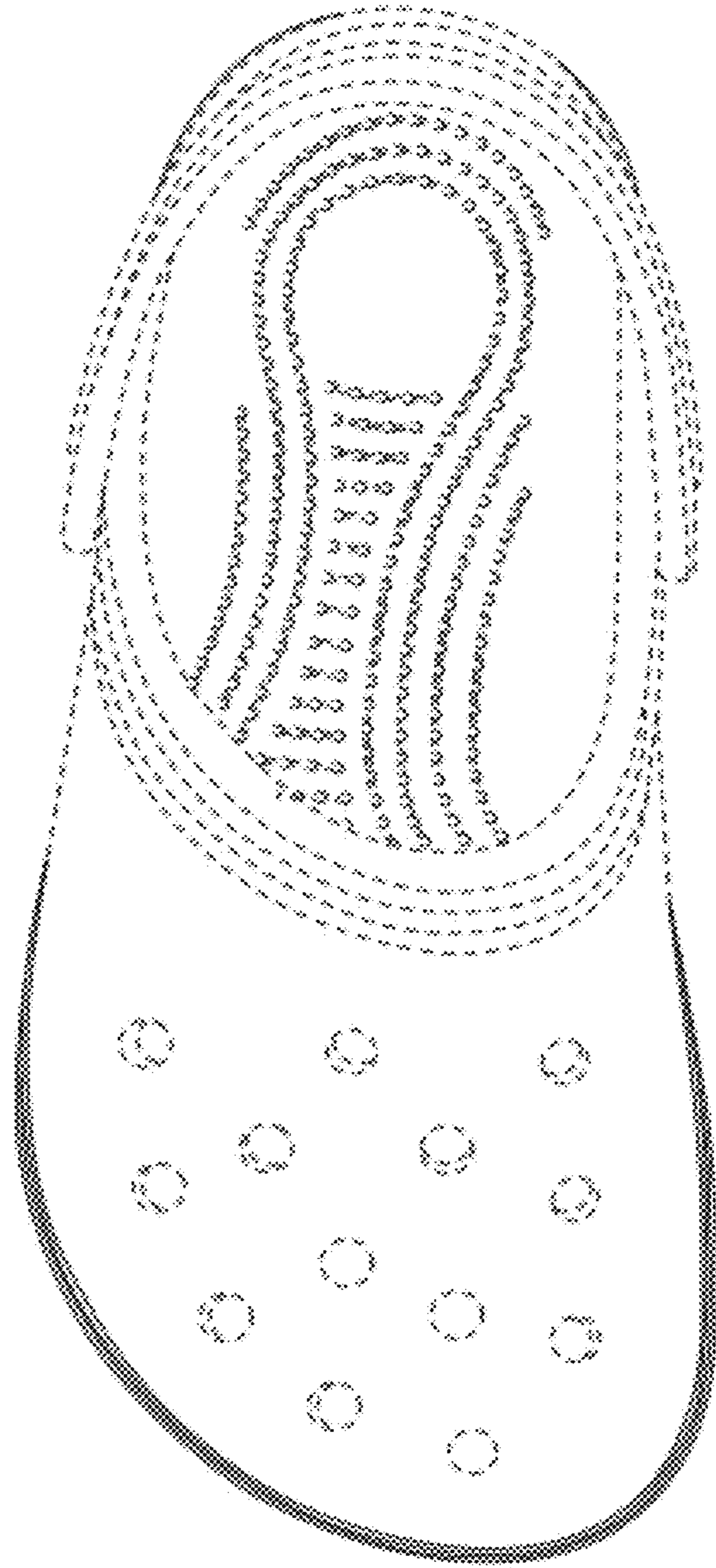


FIG. 6

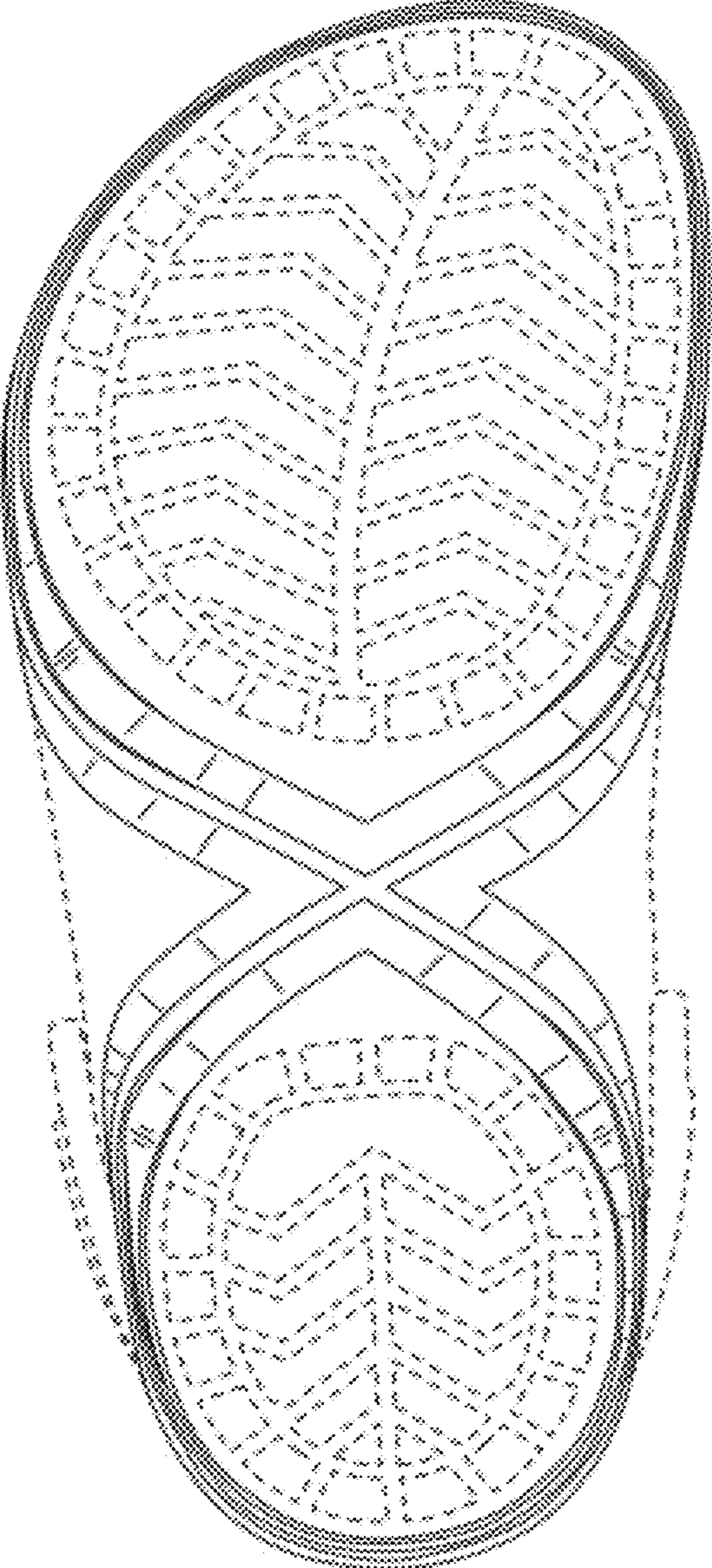


FIG. 7